

RS/6000 7043 43P Series



Setup Instructions

Third Edition (October 1998)

The following paragraph does not apply to the United Kingdom or any country where such provisions are inconsistent with local law: THIS PUBLICATION IS PROVIDED "AS IS" WITHOUT WARRANTY OF ANY KIND, EITHER EXPRESS OR IMPLIED, INCLUDING, BUT NOT LIMITED TO, THE IMPLIED WARRANTIES OF MERCHANTABILITY OR FITNESS FOR A PARTICULAR PURPOSE. Some states do not allow disclaimer of express or implied warranties in certain transactions, therefore, this statement may not apply to you.

This publication could include technical inaccuracies or typographical errors. Changes are periodically made to the information herein; these changes will be incorporated in new editions of the publication. The manufacturer may make improvements and/or changes in the product(s) and/or the program(s) described in this publication at any time, without notice.

It is possible that this publication may contain reference to, or information about, products (machines and programs), programming, or services that are not announced in your country. Such references or information must not be construed to mean that these products, programming, or services will be announced in your country. Any reference to a specific licensed program in this publication is not intended to state or imply that you can use only that licensed program. You can use any functionally equivalent program instead.

Requests for technical information about products should be made to your authorized reseller or marketing representative.

© International Business Machines Corporation 1996, 1998. All rights reserved.

Note to U.S. Government Users -- Documentation related to restricted rights -- Use, duplication or disclosure is subject to restrictions set forth in GSA ADP Schedule Contract with IBM Corp.

Step 1: Are all of the Internal Options Installed?

These instructions are for 7043 43P Series systems that have internal options (such as adapters, disk drives, or memory upgrades) already installed. If you have internal options that are not installed, go to "Installing Optional Features" in the User's Guide, order number SA38-0511-03, shipped with your system.

Step 2: Check Your Inventory

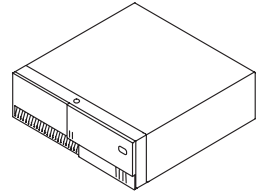
- Books



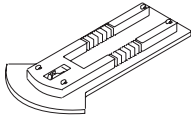
- "About Your Machine" document



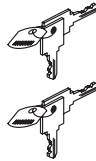
- System Unit



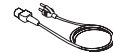
- System Unit Vertical Stand



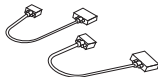
- Keys



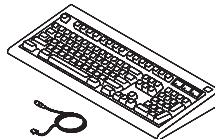
- Display and System Unit Power Cords



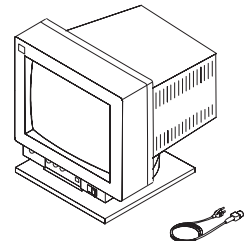
- 9-pin to 25-pin Serial Converters (2)



- Keyboard (optional)
- Wrist/Palm Rest (optional)



- Display and Cable (optional)



- Mouse (optional)



- Display Cable
Toroid (with Some
Units)

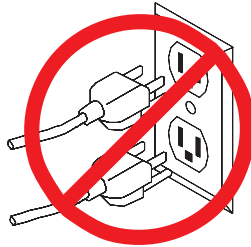


Step 3: Need Help?

If you encounter difficulties while setting up your system unit, contact your sales representative for assistance.

Step 4: Read the Safety Notices

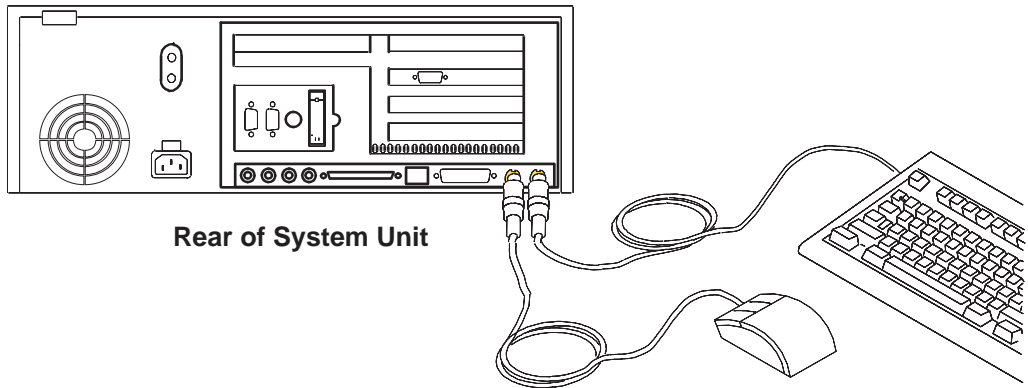
Safety Note: Before continuing, refer to the System Unit Safety Information book for Danger and Caution notices. Do not plug any cables into the system unit, adapters, or electrical outlets until you have reviewed this information. Make sure none of the power cords are connected before continuing to the next step.



Step 5: Determine Installation Area

Determine where you are going to install the system unit and if you are using the system unit in the horizontal or vertical position. If using the vertical position, refer to “Step 18: Attach the Vertical Stand” on page 10 and then return here.

Step 6: Connect the Keyboard and Mouse



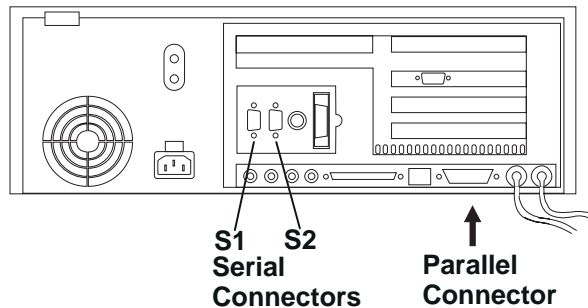
If a wrist/palm rest was included with your keyboard and you wish to attach it, refer to keyboard documentation for installation instructions.

Step 7: Connect the Serial and Parallel Devices

If you have a parallel device (such as a printer), connect it to the parallel connector.

If you have one serial device, connect it to the serial connector S1. If you have an ASCII terminal, you must connect it to the serial connector S1. An additional serial device may be connected to the S2 connector.

Two 9-to-25-pin serial converters are provided with your system unit to increase serial device compatibility.



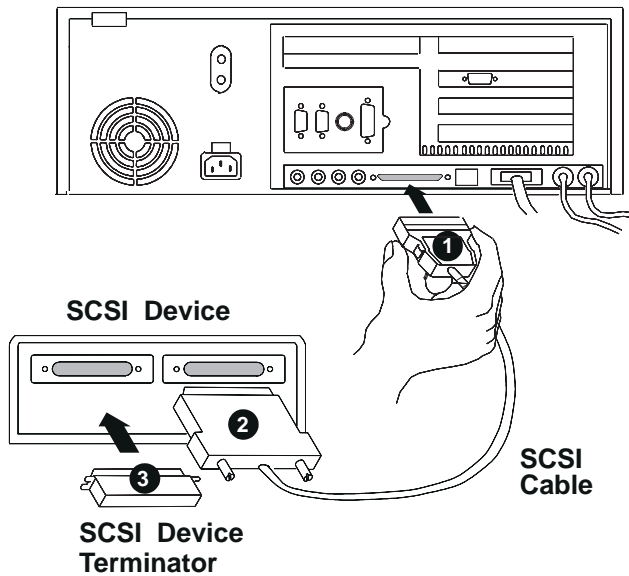
Step 8: Connect the First External SCSI Device

If you have no SCSI devices to attach, skip to “Step 10: Check Your Display Type” on page 6.

1. Connect the SCSI cable to the SCSI connector.
2. Connect the other end of the SCSI cable to the SCSI device.
3. Connect the SCSI device terminator (If this is the last device connected).

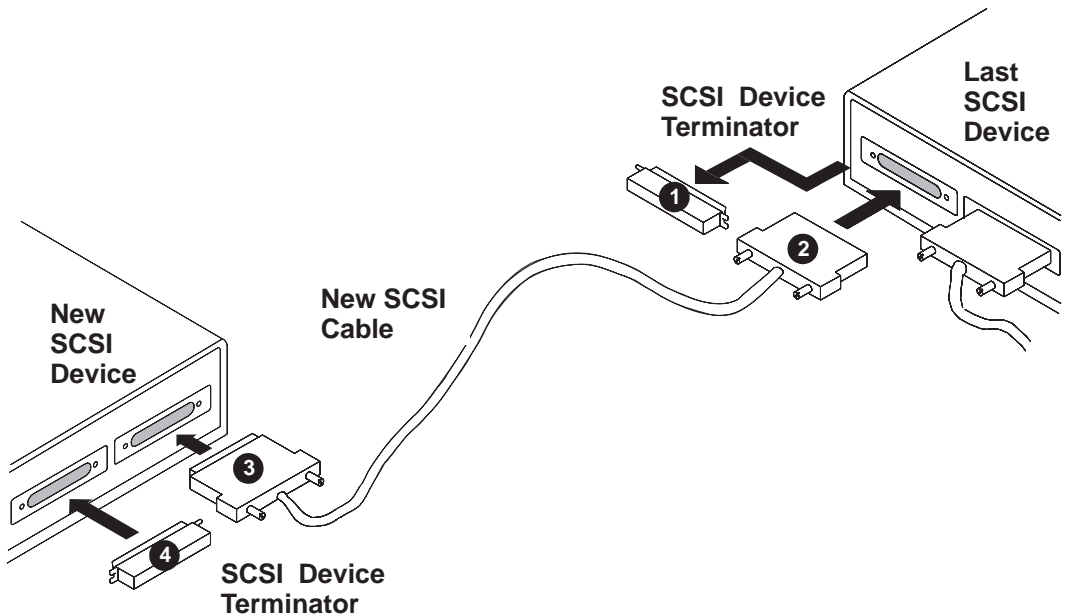
Note: The built-in SCSI interface is Fast/Wide 16-bit SCSI-2 SE. When a cable is not attached to the SCSI connector on the system unit, the connector is automatically terminated.

4. Refer to the SCSI device documentation to set the SCSI device address. For future reference, you can record the address in Appendix A of the User's Guide.



Step 9: Connect Any Additional External SCSI Devices

1. Locate the last SCSI device in the chain from the system unit. Remove the SCSI device terminator.
2. Connect the new SCSI cable where you just removed the SCSI device terminator.
3. Connect the other end of the SCSI cable to the new SCSI device.
4. Connect the SCSI device terminator.
5. Refer to the SCSI device documentation to set the SCSI device address. For future reference, you can record the address in Appendix A of the User's Guide.
6. Repeat this step for each additional SCSI device you attach.



Step 10: Check Your Display Type

If you ordered a display with your system unit, the system unit has been set to use the highest display resolution and refresh rate available for that display. If you want to:

- Attach a different display to your system unit
- Change the default display resolution or refresh rate

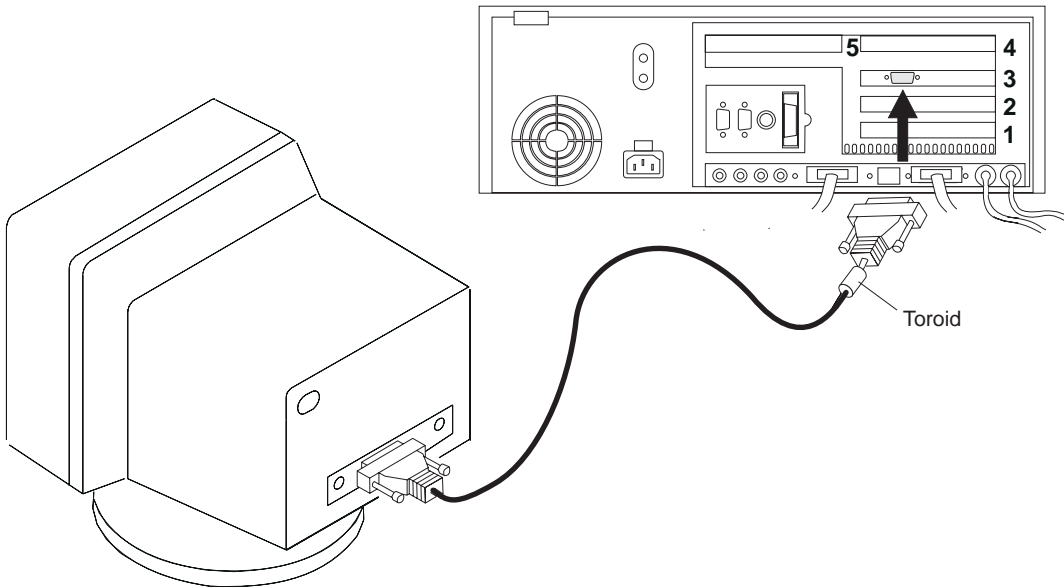
then after completing the installation steps, refer to the Customer Installable Options Library CD-ROM for the documentation for the graphics adapter. Change the settings for the display you are installing.

Step 11: Connect the Display

Connect the display cable to the back of the display and to the graphics adapter connector. Consult the "About Your Machine" document for the locations of installed adapters.

For more display instructions, see your display documentation.

Note: Some displays require an additional cable.



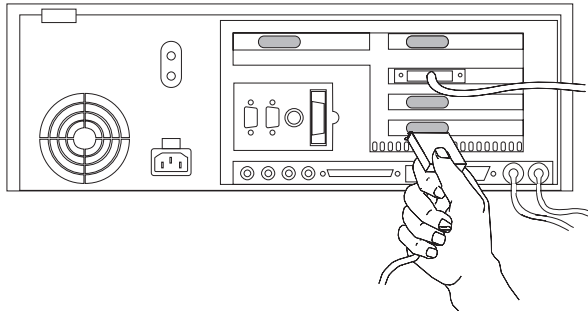
Step 12: Attach the Display Cable Toroid

If the cable for your display does not include a toroid, locate the toroid shipped with your system unit and follow the installation instructions included with the toroid.



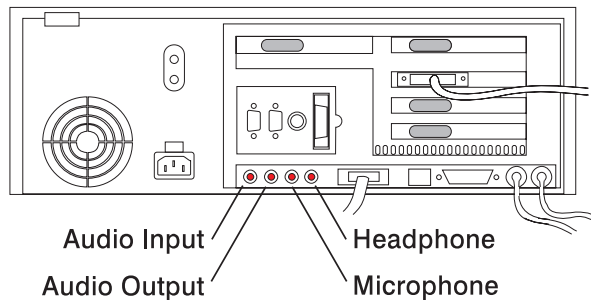
Step 13: Connect the Adapter Cables

If you are using any optional adapters (such as Token-Ring or 8-port EIA-232), connect the cables to the appropriate connectors in slots 1, 2, 3, 4, or 5. Consult the "About Your Machine" document for the locations of installed adapters.



Step 14: Connect Audio Cables

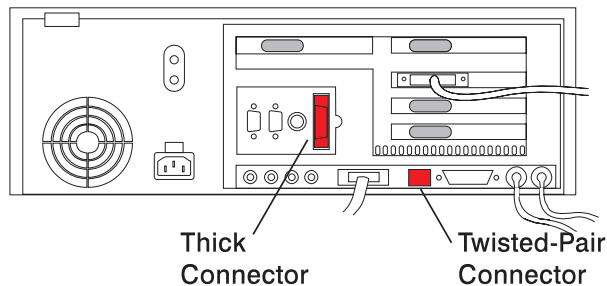
If you are using earphones, microphone or audio equipment, connect the cables to the appropriate connector.



Step 15: Are You Using an Ethernet Connection?

Ask your system administrator if you are not sure. If you are not using Ethernet, go to “Step 18: Attach the Vertical Stand” on page 10. To connect the Ethernet cable:

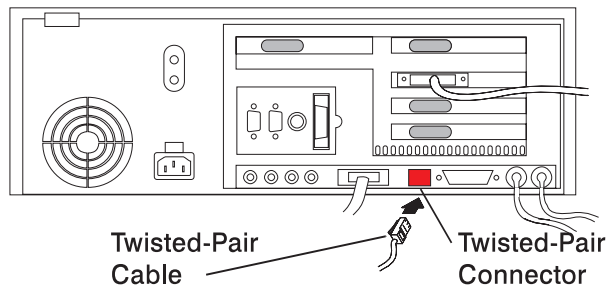
- For Twisted-Pair (10 Base T for Model 140 and Model 240, 100/10 Base T for Model 150), go to “Step 16: Connect Twisted-Pair Ethernet” on page 8.
- For Thick (10 Base 5 for Model 140 and Model 240, 100/10 Base 5 for Model 150), go to “Step 17: Connect Thick Ethernet” on page 9.
- For Thin (10 Base 2 for Model 140 and Model 240, 100/10 Base 2 for Model 150), connect the Thin cable to the optional Transceiver (10 Base 2 for Model 140 and Model 240, 100/10 Base 2 for Model 150), then go to “Step 17: Connect Thick Ethernet” on page 9



Step 16: Connect Twisted-Pair Ethernet

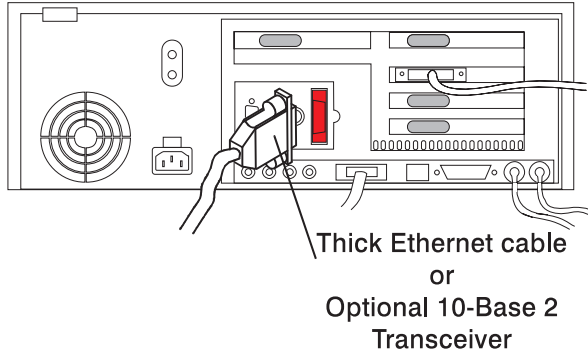
Note: The twisted-pair connector is compatible with the IEEE 802.3 Ethernet network (10 Base T link enabled for Model 140 and Model 240, 100/10 Base T link enabled for Model 150).

- Connect the twisted-pair cable to the Twisted-Pair connector.
- The twisted-pair Ethernet cable is now installed; go to “Step 18: Attach the Vertical Stand” on page 10.

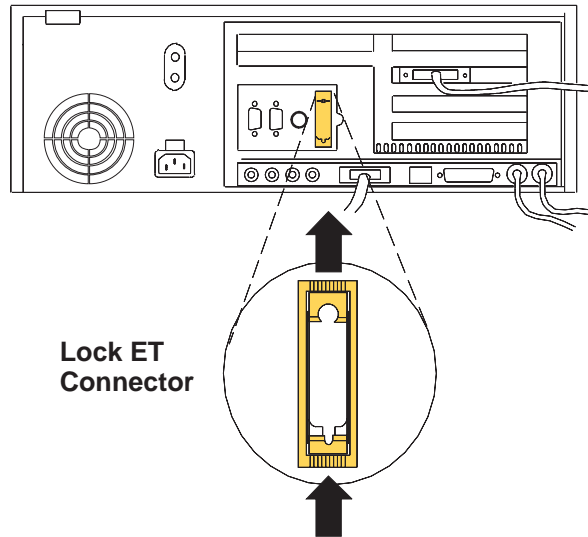


Step 17: Connect Thick Ethernet

1. Connect your thick Ethernet cable to the ET connector.



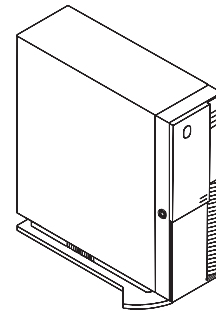
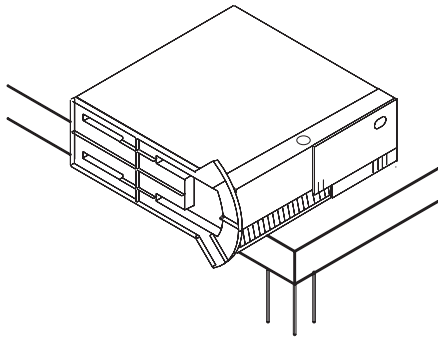
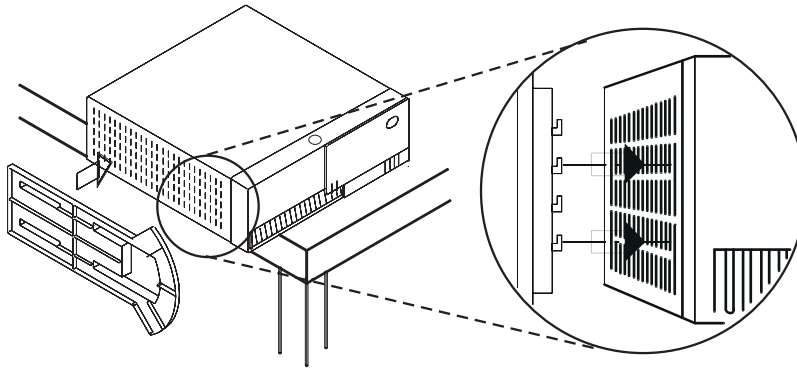
2. Lock the thick cable to the Ethernet connector by sliding the Ethernet connector toward the large notch.



3. The thick Ethernet cable is now installed. Go to “Step 18: Attach the Vertical Stand” on page 10.

Step 18: Attach the Vertical Stand

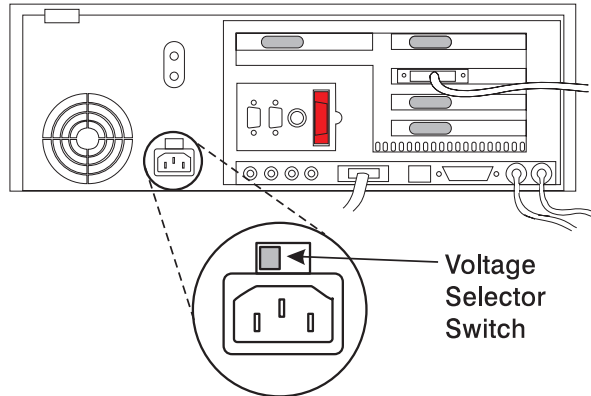
If you plan to use your system unit in a vertical position you must use the vertical stand. To attach the vertical stand, place the system unit on the edge of a table. To attach the vertical stand, insert the tabs on the vertical stand into the slots in the side of your system unit, then slide the vertical stand toward the top of the system unit.



Step 19: Set the Power Supply Voltage (Model 140 and Model 240 only)

For nominal input voltages between 100v and 127v, set the switch to 115. For input voltages between 200v and 240v, set the switch to 230.

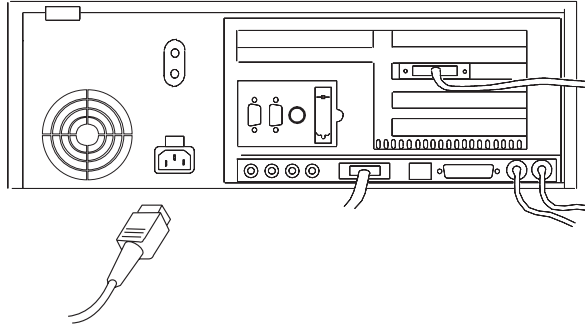
Attention: The power supply voltage must be switched to match the voltage provided by your power outlets. Turning on the system unit with the voltage selector switch in the wrong position could damage your equipment.



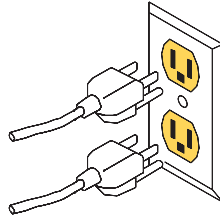
The Model 150 has an autoranging power supply, so you do not have to manually set the voltage switch.

Step 20: Plug in the Power Cables

1. Plug the power cables into the system unit, display, and attached devices.



2. Plug these power cables into electrical outlets.



CAUTION:

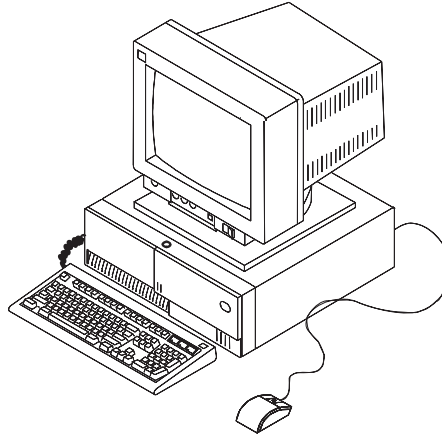
This product is equipped with a three-wire power cable and plug for your safety. Use this power cable with a properly grounded electrical outlet to avoid electrical shock.

Step 21: Your System Unit Is Now Set Up

Arrange your system unit and attached devices so you can use them comfortably. For more information on arranging your system unit, visit the Healthy Computing web site at: <http://www.pc.ibm.com/us/healthycomputing>

Notes:

1. The system unit can support displays up to 27.3 kg (60 lbs) in weight.
2. Be sure to maintain at least 50 mm (2 in.) of space at the rear of the system unit to allow for proper cooling.



To power on the system, unlock the cover lock and slide the door to the left to access the white power switch.

Step 22: Go to Your Operating System Documentation

If an operating system has been preinstalled in your 7043 43P Series system, or if you plan to install one now, please refer to the operating system installation documentation.

Reader's Comments — We'd Like to Hear From You

RS/6000 7043 43P Series Setup Instructions

Form Number: SA38-0510-02

Overall how satisfied are you with the information in this book?

	Very Satisfied	Satisfied	Neutral	Dissatisfied	Very Dissatisfied
Overall Satisfaction	<input type="checkbox"/>	<input type="checkbox"/>	<input type="checkbox"/>	<input type="checkbox"/>	<input type="checkbox"/>

How satisfied are you that the information in this book is:

	Very Satisfied	Satisfied	Neutral	Dissatisfied	Very Dissatisfied
Accurate	<input type="checkbox"/>	<input type="checkbox"/>	<input type="checkbox"/>	<input type="checkbox"/>	<input type="checkbox"/>
Complete	<input type="checkbox"/>	<input type="checkbox"/>	<input type="checkbox"/>	<input type="checkbox"/>	<input type="checkbox"/>
Easy to find	<input type="checkbox"/>	<input type="checkbox"/>	<input type="checkbox"/>	<input type="checkbox"/>	<input type="checkbox"/>
Easy to understand	<input type="checkbox"/>	<input type="checkbox"/>	<input type="checkbox"/>	<input type="checkbox"/>	<input type="checkbox"/>
Well organized	<input type="checkbox"/>	<input type="checkbox"/>	<input type="checkbox"/>	<input type="checkbox"/>	<input type="checkbox"/>
Applicable to your tasks	<input type="checkbox"/>	<input type="checkbox"/>	<input type="checkbox"/>	<input type="checkbox"/>	<input type="checkbox"/>

Please tell us how we can improve this book:

Thank you for your response. May we contact you? Yes No

When you send comments to us, you grant us a nonexclusive right to use or distribute your comments in any way we believe appropriate without incurring any obligation to you.

Name

Address

Company or Organization

Phone Number

Cut or Fold
Along Line

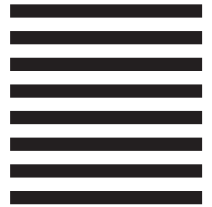
Fold and Tape

Please do not Staple

Fold and Tape



NO POSTAGE
NECESSARY
IF MAILED IN THE
UNITED STATES



BUSINESS REPLY MAIL

POSTAGE WILL BE PAID BY ADDRESSEE

Information Development
Department H6DS-9561
11400 Burnet Road
Austin, TX 78758-3493



Fold and Tape

Please do not Staple

Fold and Tape

Cut or Fold
Along Line



Part Number: 08L0662



Printed in the United States of America
on recycled paper containing 10%
recovered post-consumer fiber.

October 1998

SA38-0510-02



08L0662

