



RS/6000 7046 Model B50

Setup Instructions

Note to Printer:

Print Graphic between registration marks

Book trim size is 7 3/8 x 9 inches

Front Cover is 10pt. Carolina stock or equivalent C1S (coated one side)

Use Color Graphic cvtestd.ps on front cover - User Book



RS/6000 7046 Model B50

Setup Instructions

First Edition (September 1999)

The following paragraph does not apply to the United Kingdom or any country where such provisions are inconsistent with local law: THIS PUBLICATION IS PROVIDED "AS IS" WITHOUT WARRANTY OF ANY KIND, EITHER EXPRESS OR IMPLIED, INCLUDING, BUT NOT LIMITED TO, THE IMPLIED WARRANTIES OF MERCHANTABILITY OR FITNESS FOR A PARTICULAR PURPOSE. Some states do not allow disclaimer of express or implied warranties in certain transactions, therefore, this statement may not apply to you.

This publication could include technical inaccuracies or typographical errors. Changes are periodically made to the information herein; these changes will be incorporated in new editions of the publication. The manufacturer may make improvements and/or changes in the product(s) and/or the program(s) described in this publication at any time, without notice.

It is possible that this publication may contain reference to, or information about, products (machines and programs), programming, or services that are not announced in your country. Such references or information must not be construed to mean that these products, programming, or services will be announced in your country. Any reference to a specific licensed program in this publication is not intended to state or imply that you can use only that licensed program. You can use any functionally equivalent program instead.

Requests for technical information about products should be made to your authorized reseller or marketing representative.

© International Business Machines Corporation 1999. All rights reserved.

Note to U.S. Government Users -- Documentation related to restricted rights -- Use, duplication or disclosure is subject to restrictions set forth in GSA ADP Schedule Contract with IBM Corp.

Step 1: Are All of the Internal Options Installed?

These instructions are for 7046 Model B50 servers that have internal options (such as adapters, disk drives, or memory upgrades) already installed. If you have internal options that are not installed, go to "Installing Optional Features" in the *7046 Model B50 User's Guide*, SA38-0563, shipped with your server.

Step 2: Check Your Inventory

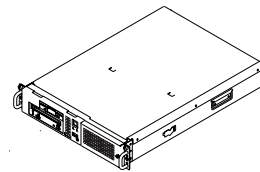
- Books



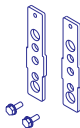
- "About Your Machine" document



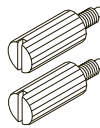
- Server



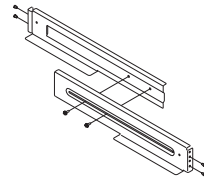
- Rack Mounting Brackets with Screws



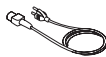
- Rack Mounting Thumb Screws



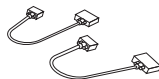
- Rack Rails (2), Screws (6), and Alignment Pins (24)



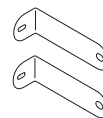
- Server Power Cable



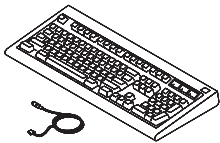
- 9-pin to 25-pin Serial Converters (2)



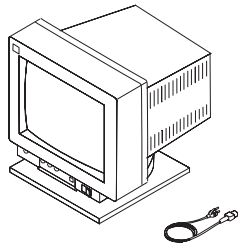
- Shipping Brackets (2) and Screws (4)



- Keyboard (optional)
Wrist/Palm Rest (optional)



- Display and Cable (optional)



- Mouse (optional)



- Display Cable Toroid (with some units)

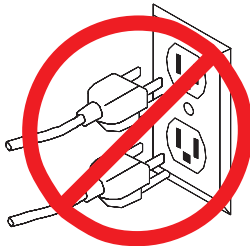


Step 3: Need Help?

If you encounter difficulties while setting up your server, contact your sales representative for assistance.

Step 4: Read the Safety Notices

Safety Note: Before continuing, refer to the *System Unit Safety Information*, SA23-2652, book for Danger and Caution notices. Do not plug any cables into the server, adapters, or electrical outlets until you have reviewed this information. Make sure none of the power cables are connected before continuing to the next step.



Step 5: Rack Mounting Instructions

Before continuing, make sure you review the following instructions for mounting the server in the rack.

- Do not install this server in a rack where the internal rack ambient temperatures exceed 40°C (104°F).
- Do not install this server in a rack where the air flow is compromised. The left side and the back of the server must not be in direct contact with the rack.
- Care should be taken to ensure that a hazardous condition is not created due to uneven mechanical loading when installing this server in a rack. If the rack the server is being installed in has a stabilizer, it must be firmly attached before installing or removing this server.
- This server requires 6 amp. of power with an input of 100-127 Vac or 3 amp. with an input of 200-240. Consideration should be given to the connection of the equipment to the supply circuit such that the overloading of circuits does not compromise the supply wiring or overcurrent protection.
- An electrical outlet that is not correctly wired could place hazardous voltage on the metal parts of the system or the devices that attach to the system. It is the responsibility of the customer to ensure that the outlet is correctly wired and grounded to prevent an electrical shock.

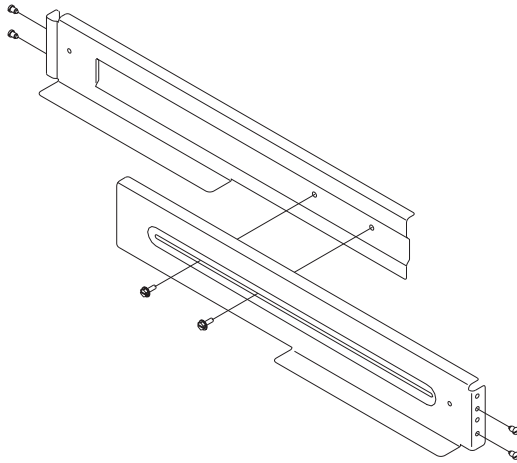
Step 6: Install Rails and Rack Mount Brackets

Note

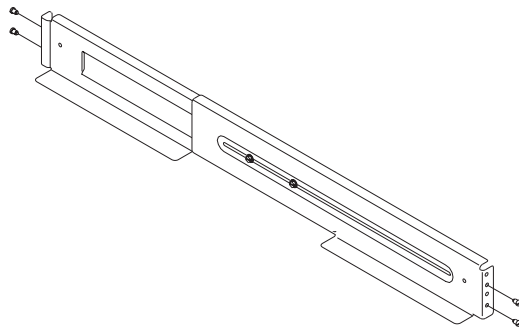
Before beginning:

- Determine where in the rack the 7046 Model B50 is to be installed.
- Locate the rack rails, screws, alignment pins and the two thumbscrews needed to secure the server in the rack.

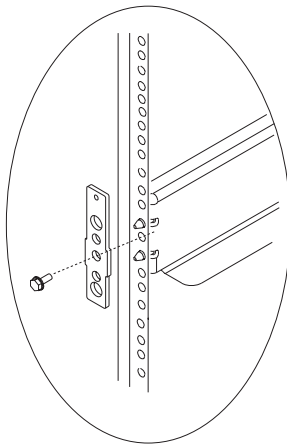
1. Assemble the adjustable rails to the correct size for your rack.



2. Select the correct size of alignment pins for your specific rack. Install the rails into the rack by screwing two pins into the front of each rail, installing one in the lower rail hole and one in the third hole from the bottom as shown in the diagram. Screw two pins into the back of each rail in the same manner.

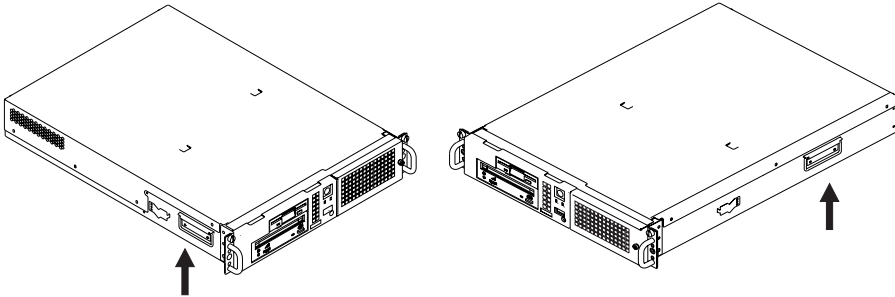


3. Install the two rack mount brackets. Place one bracket over the left rail pin guides, then install the screw between the rail alignment pins. Install the second bracket over the right rail pins in the same manner.

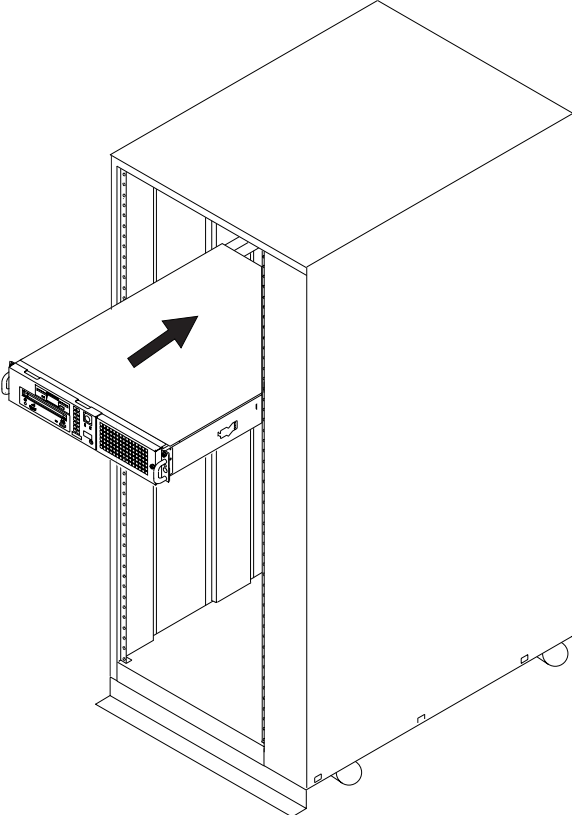


Step 7: Install the 7046 Model B50 Server

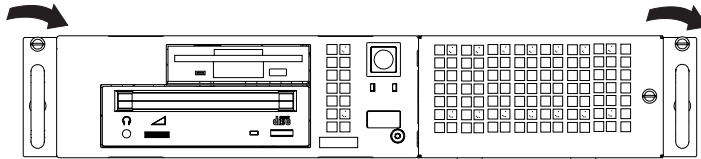
1. Lift the server by grasping the handles on each side.



2. Slide it *slowly* into the rack.

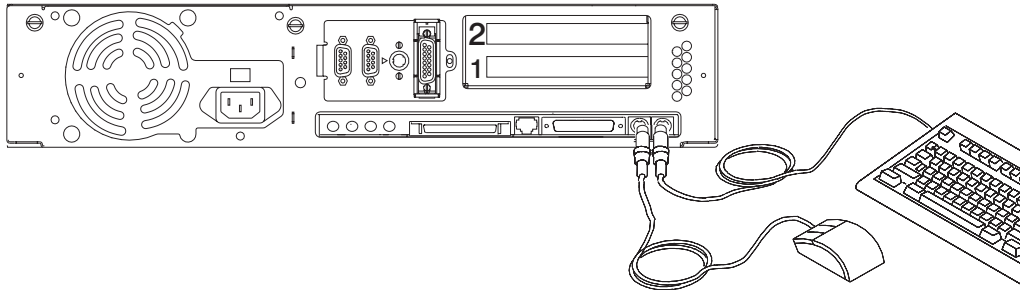


3. Continue sliding the server into the rack until the front of the server rests against the rack mount brackets on the rack.
4. Attach the front of the server to the rack rails by inserting and tightening the two thumbscrews in the front of the server. This secures the server to the rack.



Note: The shipping brackets only need to be installed when the server is installed in the rack, and the entire rack is going to be moved to a different location. For information on how to install these shipping brackets, refer to the *7046 Model B50 Service Guide*, SA38-0564.

Step 8: Connect the Keyboard and Mouse



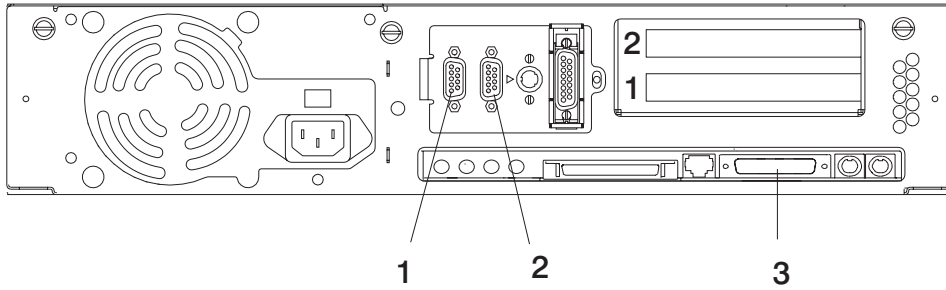
If a wrist/palm rest was included with your keyboard and you wish to attach it, refer to keyboard documentation for installation instructions.

Step 9: Connect the Serial and Parallel Devices

If you have a parallel device (such as a printer), connect it to the parallel connector.

If you have one serial device, connect it to the serial connector S1. If you have an ASCII terminal, you must connect it to the serial connector S1. An additional serial device can be connected to the S2 connector.

Two 9-to-25-pin serial converters are provided with your server to increase serial device compatibility.



- 1 S1 Serial Connector
- 2 S2 Serial Connector
- 3 Parallel Connector

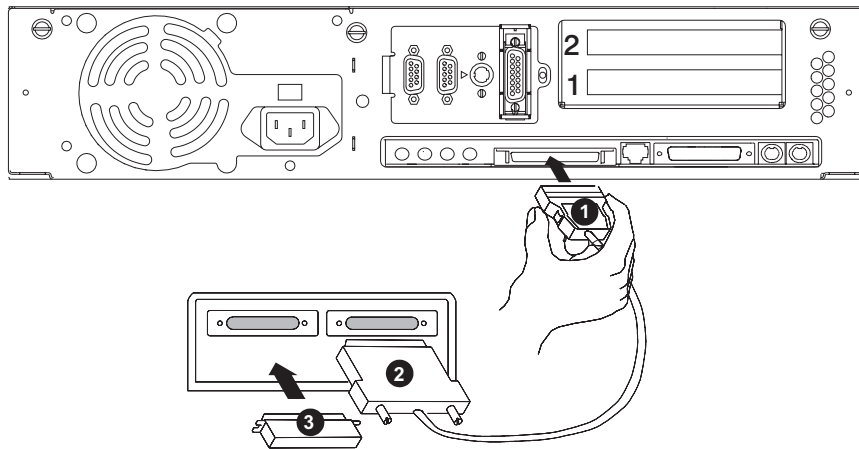
Step 10: Connect the First External SCSI Device

If you have no SCSI devices to attach, skip to “Step 12: Check Your Display Type” on page 11.

1. Connect the SCSI cable to the SCSI connector.
2. Connect the other end of the SCSI cable to the SCSI device.
3. Connect the SCSI device terminator (if this is the last device connected).

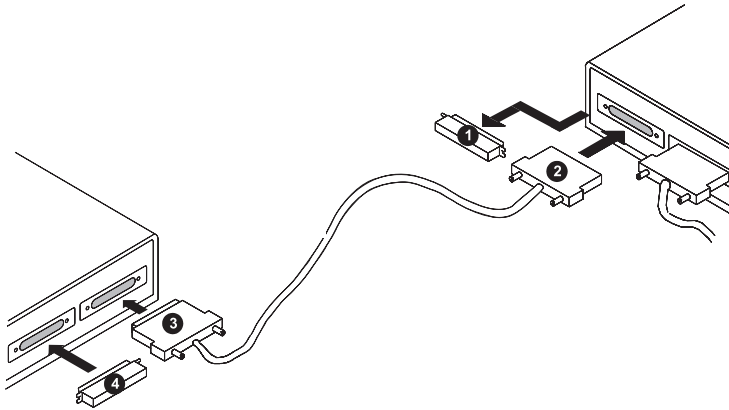
Note: The built-in SCSI interface is Ultra SCSI. When a cable is not attached to the SCSI connector on the server, the connector is automatically terminated.

4. Refer to the SCSI device documentation to set the SCSI device address. For future reference, you can record the address in Appendix A of the *7046 Model B50 User's Guide*, SA38-0563.



Step 11: Connect Any Additional External SCSI Devices

1. Locate the last SCSI device in the chain from the server. Remove the SCSI device terminator.
2. Connect the new SCSI cable where you just removed the SCSI device terminator.
3. Connect the other end of the SCSI cable to the new SCSI device.
4. Connect the SCSI device terminator.
5. Refer to the SCSI device documentation to set the SCSI device address. For future reference, you can record the address in Appendix A of the *7046 Model B50 User's Guide*, SA38-0563.
6. Repeat this step for each additional SCSI device you attach.



Step 12: Check Your Display Type

If you ordered a display with your server, the server has been set to use the highest display resolution and refresh rate available for that display. If you want to:

- Attach a different display to your server
- or
- Change the default display resolution or refresh rate

then after completing the installation steps, refer to the Customer Installable Options Library CD-ROM for the documentation for the graphics adapter. Change the settings for the display you are installing.

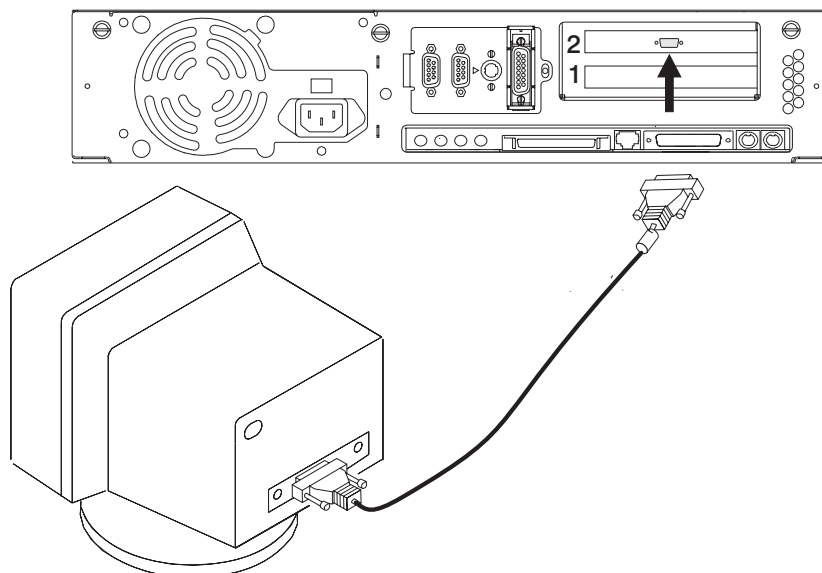
Step 13: Connect the Display

To connect a graphics display:

Connect the display cable to the back of the display and to the graphics adapter connector. Consult the "About Your Machine" document for the locations of installed adapters.

For more display instructions, see your display documentation.

Note: Some displays require an additional cable.



To connect an ASCII display:

If you have an ASCII terminal, you must connect it to the serial connector S1. Refer to the figure on page 8 for the location of this connector.

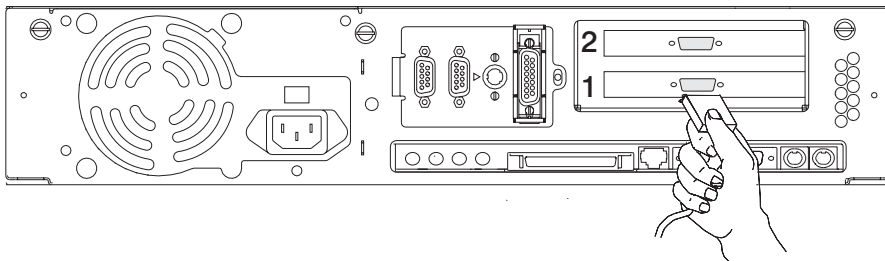
Step 14: Attach the Display Cable Toroid

If the cable for your display does not include a toroid, locate the toroid shipped with your server and follow the installation instructions included with the toroid.



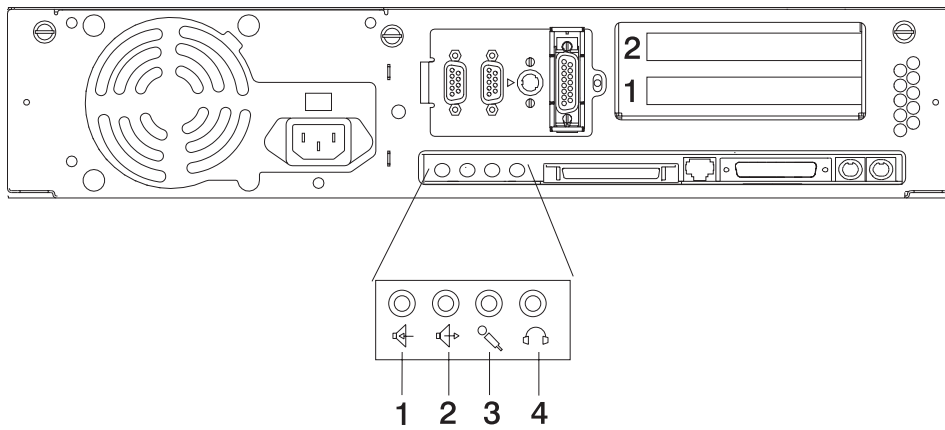
Step 15: Connect the Adapter Cables

If you are using any optional adapters (such as Token-Ring or 8-port EIA-232), connect the cables to the appropriate connectors in slots 1 or 2.



Step 16: Connect Audio Cables

If you are using headphones, microphone or audio equipment, connect the cables to the appropriate connector.

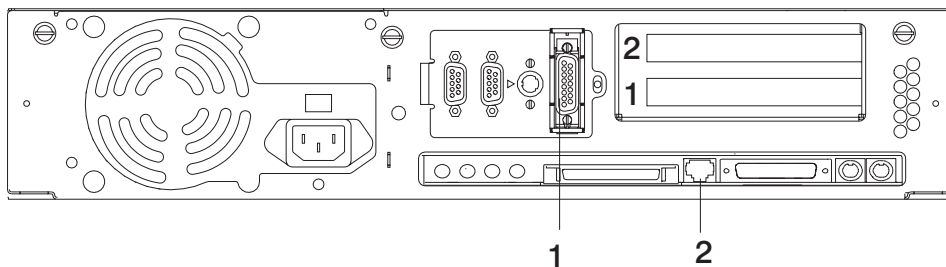


- 1** Audio line in
- 2** Audio line out
- 3** Microphone
- 4** Headphone

Step 17: Are You Using an Ethernet Connection?

Ask your system administrator if you are not sure. If you are not using Ethernet, go to “Step 20: Plug in the Power Cables” on page 16. To connect the Ethernet cable:

- For Twisted-Pair (100/10 Base T), go to “Step 18: Connect Twisted-Pair Ethernet.”
- For Thick (100/10 Base 5), go to “Step 19: Connect Thick Ethernet” on page 15.
- For Thin (100/10 Base 2), connect the Thin cable to the optional Transceiver (100/10 Base 2), then go to “Step 19: Connect Thick Ethernet” on page 15.

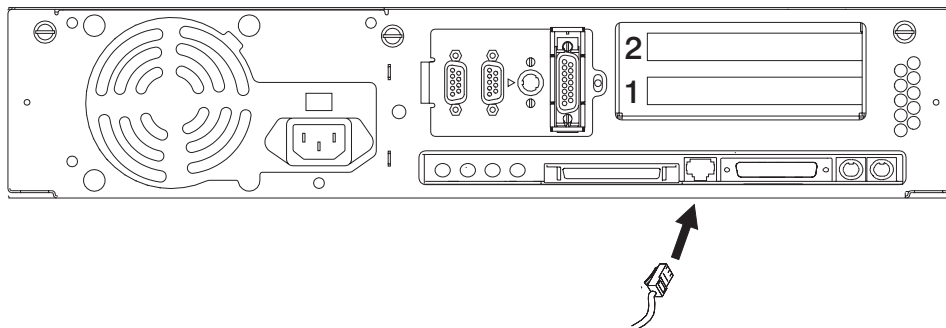


- 1 Thick connector
- 2 Twisted-pair connector

Step 18: Connect Twisted-Pair Ethernet

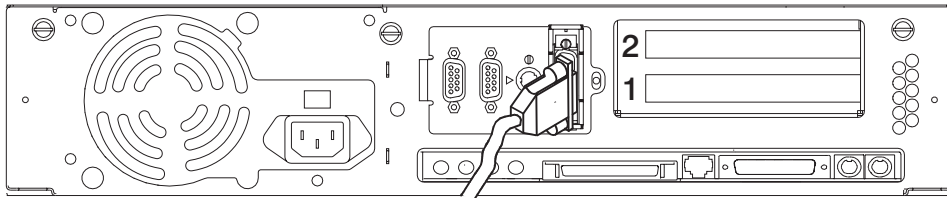
Note: The twisted-pair connector is compatible with the IEEE 802.3 Ethernet network (100/10 Base T link enabled).

1. Connect the twisted-pair cable to the Twisted-Pair connector.
2. The twisted-pair Ethernet cable is now installed; go to “Step 20: Plug in the Power Cables” on page 16.

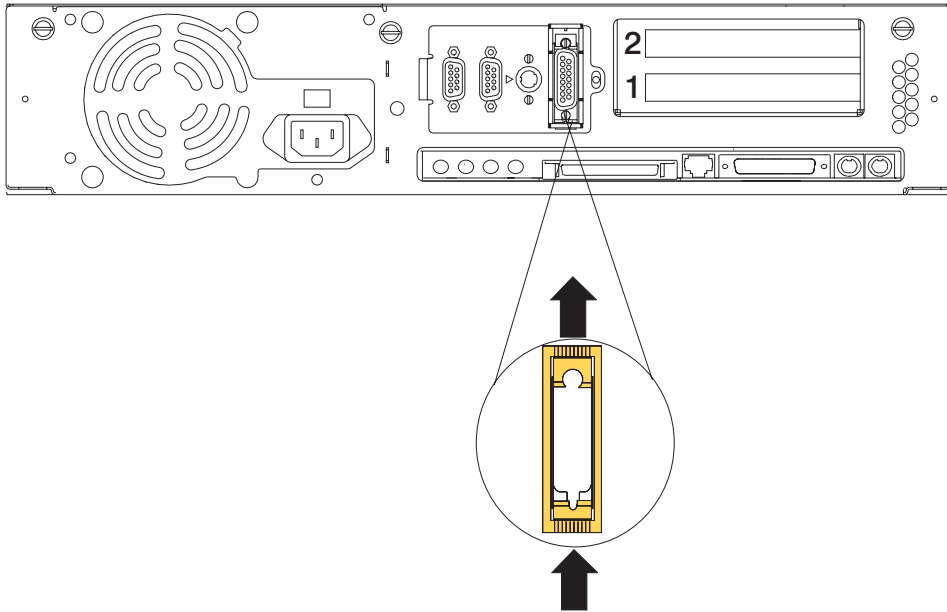


Step 19: Connect Thick Ethernet

1. Connect your thick Ethernet cable to the Ethernet connector.



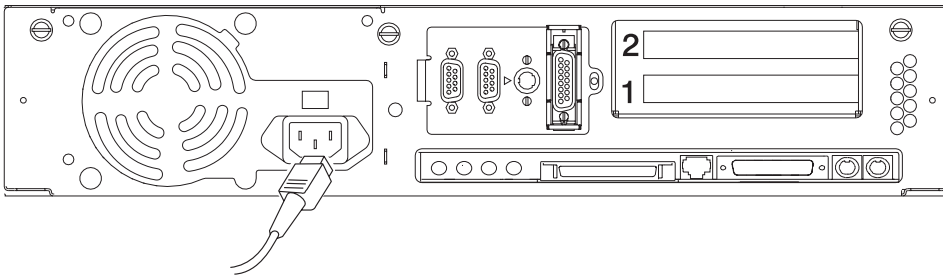
2. Lock the thick cable to the Ethernet connector by sliding the Ethernet connector toward the large notch.



3. The thick Ethernet cable is now installed.

Step 20: Plug in the Power Cables

1. Plug the power cables into the server, display, and attached devices.



2. Plug these power cables into electrical outlets.

CAUTION:

This product is equipped with a three-wire power cable and plug for your safety. Use this power cable with a properly grounded electrical outlet to avoid electrical shock.

3. Your server is now set up. When you are ready, you can turn on the power to your server.

Step 21: Go to Your Operating System Documentation

If an operating system has been preinstalled in your 7046 Model B50 server, or if you plan to install one now, please refer to the operating system installation documentation.

Online Publications

RS/6000 publications are available online. To access the online books, visit our Web site at: http://www.rs6000.ibm.com/resource/hardware_docs/

Reader's Comments — We'd Like to Hear From You

7046 Model B50 Setup Instructions

Form Number: SA38-0562-00

Overall how satisfied are you with the information in this book?

	Very Satisfied	Satisfied	Neutral	Dissatisfied	Very Dissatisfied
Overall Satisfaction	<input type="checkbox"/>	<input type="checkbox"/>	<input type="checkbox"/>	<input type="checkbox"/>	<input type="checkbox"/>

How satisfied are you that the information in this book is:

	Very Satisfied	Satisfied	Neutral	Dissatisfied	Very Dissatisfied
Accurate	<input type="checkbox"/>	<input type="checkbox"/>	<input type="checkbox"/>	<input type="checkbox"/>	<input type="checkbox"/>
Complete	<input type="checkbox"/>	<input type="checkbox"/>	<input type="checkbox"/>	<input type="checkbox"/>	<input type="checkbox"/>
Easy to find	<input type="checkbox"/>	<input type="checkbox"/>	<input type="checkbox"/>	<input type="checkbox"/>	<input type="checkbox"/>
Easy to understand	<input type="checkbox"/>	<input type="checkbox"/>	<input type="checkbox"/>	<input type="checkbox"/>	<input type="checkbox"/>
Well organized	<input type="checkbox"/>	<input type="checkbox"/>	<input type="checkbox"/>	<input type="checkbox"/>	<input type="checkbox"/>
Applicable to your tasks	<input type="checkbox"/>	<input type="checkbox"/>	<input type="checkbox"/>	<input type="checkbox"/>	<input type="checkbox"/>

Please tell us how we can improve this book:

Thank you for your response. May we contact you? Yes No

When you send comments to us, you grant us a nonexclusive right to use or distribute your comments in any way we believe appropriate without incurring any obligation to you.

Name

Address

Company or Organization

Phone Number

Cut or Fold
Along Line

Fold and Tape

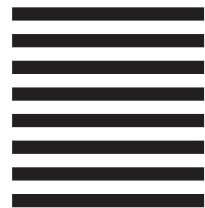
Please do not Staple

Fold and Tape



NO POSTAGE
NECESSARY
IF MAILED IN THE
UNITED STATES

BUSINESS REPLY MAIL



POSTAGE WILL BE PAID BY ADDRESSEE

Information Development
Department H6DS-9561
11400 Burnet Road
Austin, TX 78758-3493



Fold and Tape

Please do not Staple

Fold and Tape

Cut or Fold
Along Line



Part Number: 03N4111



Printed in the United States of America
on recycled paper containing 10%
recovered post-consumer fiber.

September 1999

SA38-0562-00



03N4111

