

Tru64 UNIX

Guide to Realtime Programming

Part Number: AA-RH9TB-TE

August 2000

Product Version: Tru64 UNIX Version 5.1 or higher

This guide describes how to use POSIX 1003.1b functions to write realtime applications that run on Compaq Tru64™ UNIX systems. This guide is intended for experienced application programmers.

© 2000 Compaq Computer Corporation

COMPAQ and the Compaq logo Registered in U.S. Patent and Trademark Office. Tru64 is a trademark of Compaq Information Technologies Group, L.P.

UNIX and The Open Group are trademarks of The Open Group. All other product names mentioned herein may be trademarks of their respective companies.

Confidential computer software. Valid license from Compaq required for possession, use, or copying. Consistent with FAR 12.211 and 12.212, Commercial Computer Software, Computer Software Documentation, and Technical Data for Commercial Items are licensed to the U.S. Government under vendor's standard commercial license.

Compaq shall not be liable for technical or editorial errors or omissions contained herein. The information in this document is provided "as is" without warranty of any kind and is subject to change without notice. The warranties for Compaq products are set forth in the express limited warranty statements accompanying such products. Nothing herein should be construed as constituting an additional warranty.

Contents

About This Guide

1 Introduction to Realtime Programming

1.1	Realtime Overview	1-1
1.2	Tru64 UNIX Realtime System Capabilities	1-4
1.2.1	The Value of a Preemptive Kernel	1-4
1.2.1.1	Nonpreemptive Kernel	1-5
1.2.1.2	Preemptive Kernel	1-5
1.2.1.3	Comparing Latency	1-6
1.2.2	Fixed-Priority Scheduling Policies	1-7
1.2.3	Realtime Clocks and Timers	1-9
1.2.4	Memory Locking	1-9
1.2.5	Asynchronous I/O	1-10
1.2.6	Synchronized I/O	1-10
1.2.7	Realtime Interprocess Communication	1-11
1.3	Process Synchronization	1-12
1.3.1	Waiting for a Specified Period of Time or an Absolute Time	1-13
1.3.2	Waiting for Semaphores	1-13
1.3.3	Waiting for Communication	1-15
1.3.4	Waiting for Another Process	1-15
1.3.5	Realtime Needs and System Solutions	1-16
1.4	POSIX Standards	1-16
1.5	Enabling Tru64 UNIX Realtime Features	1-18
1.6	Building Realtime Applications	1-18
1.6.1	Defining the POSIX Environment	1-18
1.6.2	Compiling and Linking Realtime Applications	1-19
1.6.2.1	Compiling Realtime Applications	1-19
1.6.2.2	Compiling Realtime Applications That Use Asynchronous I/O	1-20
1.6.2.3	Linking a Previously Compiled Realtime Application ..	1-21

2 The Tru64 UNIX Scheduler

2.1	Scheduler Fundamentals	2-1
2.1.1	Schedulable Entities	2-1

2.1.2	Thread States	2-2
2.1.3	Scheduler Database	2-2
2.1.4	Quantum	2-2
2.1.5	Scheduler Transitions	2-2
2.2	Scheduling Policies	2-5
2.2.1	The Nature of the Work	2-5
2.2.2	Timesharing Scheduling	2-6
2.2.3	Fixed-Priority Scheduling	2-6
2.2.3.1	First-In/First-Out Scheduling	2-7
2.2.3.2	Round-Robin Scheduling	2-8
2.3	Process Priorities	2-9
2.3.1	Priorities for the nice Interface	2-10
2.3.2	Priorities for the Realtime Interface	2-11
2.3.3	Displaying Realtime Priorities	2-13
2.3.4	Configuring Realtime Priorities	2-14
2.4	Scheduling Functions	2-15
2.4.1	Determining Limits	2-16
2.4.2	Retrieving the Priority and Scheduling Policy	2-16
2.4.3	Setting the Priority and Scheduling Policy	2-17
2.4.4	Yielding to Another Process	2-19
2.5	Priority and Policy Example	2-20

3 Shared Memory

3.1	Memory Objects	3-1
3.1.1	Opening a Shared-Memory Object	3-3
3.1.2	Opening Memory-Mapped Files	3-4
3.1.3	Mapping Memory-Mapped Files	3-5
3.1.4	Using File Functions	3-7
3.1.5	Controlling Memory-Mapped Files	3-8
3.1.6	Removing Shared Memory	3-9
3.2	Locking Shared Memory	3-9
3.3	Using Shared Memory with Semaphores	3-10

4 Memory Locking

4.1	Memory Management	4-1
4.2	Memory-Locking and Unlocking Functions	4-2
4.2.1	Locking and Unlocking a Specified Region	4-3
4.2.2	Locking and Unlocking an Entire Process Space	4-6

5 Signals

5.1	Overview of Signals	5-1
5.2	POSIX Signal Functions	5-2
5.3	Signal-Handling Basics	5-3
5.3.1	Specifying a Signal Action	5-6
5.3.2	Setting Signal Masks and Blocking Signals	5-8
5.3.3	Suspending a Process and Waiting for a Signal	5-10
5.3.4	Setting Up an Alternate Signal Stack	5-11
5.4	Realtime Signal Handling	5-11
5.4.1	Additional Realtime Signals	5-14
5.4.2	Queuing Signals to a Process	5-14
5.4.2.1	The <code>siginfo_t</code> Structure	5-15
5.4.2.2	The <code>ucontext_t</code> and <code>sigcontext</code> Structures	5-16
5.4.2.3	Sending a Realtime Signal with the <code>sigqueue</code> Function	5-17
5.4.3	Asynchronous Delivery of Other Realtime Signals	5-17
5.4.4	Responding to Realtime Signals Using the <code>sigwaitinfo</code> and <code>sigtimedwait</code> Functions	5-18

6 Clocks and Timers

6.1	Clock Functions	6-2
6.1.1	Retrieving System Time	6-3
6.1.2	Setting the Clock	6-4
6.1.3	Converting Time Values	6-4
6.1.4	System Clock Resolution	6-6
6.1.5	High-Resolution Clock	6-6
6.2	Types of Timers	6-7
6.3	Timers and Signals	6-7
6.4	Data Structures Associated with Timing Facilities	6-8
6.4.1	Using the <code>timespec</code> Data Structure	6-8
6.4.2	Using the <code>itimerspec</code> Data Structure	6-9
6.4.3	Using the <code>sigevent</code> Data Structure	6-10
6.5	Timer Functions	6-11
6.5.1	Creating Timers	6-12
6.5.2	Setting Timer Values	6-12
6.5.3	Retrieving Timer Values	6-14
6.5.4	Getting the Overrun Count	6-14
6.5.5	Disabling Timers	6-15
6.6	High-Resolution Sleep	6-15
6.7	Clocks and Timers Example	6-15

7	Asynchronous Input and Output	
7.1	Data Structures Associated with Asynchronous I/O	7-2
7.1.1	Identifying the Location	7-2
7.1.2	Specifying a Signal	7-3
7.2	Asynchronous I/O Functions	7-4
7.2.1	Reading and Writing	7-4
7.2.2	Using List-Directed Input/Output	7-6
7.2.3	Determining Status	7-7
7.2.4	Canceling I/O	7-8
7.2.5	Blocking to Completion	7-9
7.2.6	Asynchronous File Synchronization	7-9
7.3	Asynchronous I/O to Raw Devices	7-10
7.4	Asynchronous I/O Examples	7-10
7.4.1	Using the aio Functions	7-10
7.4.2	Using the lio_listio Function	7-14
8	File Synchronization	
8.1	How to Ensure Data or File Integrity	8-2
8.1.1	Using Function Calls	8-2
8.1.2	Using File Descriptors	8-2
9	Semaphores	
9.1	Overview of Semaphores	9-1
9.2	The Semaphore Interface	9-2
9.2.1	Creating and Opening a Semaphore	9-3
9.2.2	Locking and Unlocking Semaphores	9-5
9.2.3	Priority Inversion with Semaphores	9-6
9.2.4	Closing a Semaphore	9-6
9.3	Semaphore Example	9-7
10	Messages	
10.1	Message Queues	10-1
10.2	The Message Interface	10-2
10.2.1	Opening a Message Queue	10-3
10.2.2	Sending and Receiving Messages	10-5
10.2.3	Asynchronous Notification of Messages	10-7
10.2.4	Prioritizing Messages	10-7
10.2.5	Using Message Queue Attributes	10-8
10.2.6	Closing and Removing a Message Queue	10-8

10.3	Message Queue Examples	10-8
------	------------------------------	------

11 Realtime Performance and System Tuning

11.1	Realtime Responsiveness	11-1
11.1.1	Interrupt Service Routine Latency	11-2
11.1.2	Process Dispatch Latency	11-2
11.2	Improving Realtime Responsiveness	11-3

A Tru64 UNIX Realtime Functional Summary

Index

Examples

2-1	Initializing Priority and Scheduling Policy Fields	2-18
2-2	Using Priority and Scheduling Functions	2-20
3-1	Including a Shared-Memory Object	3-4
3-2	Locking a Memory Object	3-9
4-1	Aligning and Locking a Memory Segment	4-5
4-2	Using the mlockall Function	4-7
5-1	Sending a Signal to Another Process	5-3
5-2	Sending a Realtime Signal to Another Process	5-12
5-3	Using the sigwaitinfo Function	5-19
5-4	Using the sigwaitinfo Function	5-20
6-1	Returning Time	6-3
6-2	Using Timers	6-15
7-1	Using Asynchronous I/O	7-10
7-2	Using lio_listio in Asynchronous I/O	7-14
9-1	Locking a Semaphore	9-6
9-2	Using Semaphores and Shared Memory	9-8
10-1	Opening a Message Queue	10-5
10-2	Using Message Queues to Send Data	10-8
10-3	Using Message Queues to Receive Data	10-10

Figures

1-1	Nonpreemptive Kernel	1-6
1-2	Preemptive Kernel	1-7
2-1	Order of Execution	2-3
2-2	Process Events	2-4
2-3	Preemption — Finishing a Quantum	2-9

2-4	Priority Ranges for the nice and Realtime Interfaces	2-12
4-1	Memory Allocation with mlock	4-4
4-2	Memory Allocation with mlockall	4-7
5-1	Signal Mask That Blocks Two Signals	5-9

Tables

1-1	Realtime Needs and System Solutions	1-16
2-1	Priority Ranges for the nice Interface	2-10
2-2	Priority Ranges for the Tru64 UNIX Realtime Interface	2-11
3-1	Memory-Mapping Functions	3-2
3-2	Status Flags and Access Modes for the shm_open Function ...	3-3
3-3	File Functions Used with Memory-Mapped Files	3-7
5-1	POSIX 1003.1 Signal Functions	5-2
5-2	POSIX 1003.1b Signal Functions	5-3
5-3	POSIX Signals	5-5
6-1	Values Used in Setting Timers	6-9
10-1	Status Flags and Access Modes for the mq_open Function ...	10-3
A-1	Process Control Functions	A-2
A-2	P1003.1b Priority Scheduling Functions	A-2
A-3	P1003.1b Clock Functions	A-3
A-4	Date and Time Conversion Functions	A-3
A-5	P1003.1b Timer Functions	A-3
A-6	BSD Clock and Timer Functions	A-4
A-7	P1003.1b Memory-Locking Functions	A-4
A-8	System V Memory-Locking Function	A-4
A-9	P1003.1b Asynchronous I/O Functions	A-4
A-10	POSIX Synchronized I/O Functions	A-5
A-11	BSD Synchronized I/O Function	A-5
A-12	P1003.1b Message Functions	A-5
A-13	P1003.1b Shared-Memory Functions	A-6
A-14	P1003.1b Semaphore Functions	A-6
A-15	POSIX 1003.1b Realtime Signal Functions	A-6
A-16	Signal Control and Other Signal Functions	A-6
A-17	sigsetops Primitives	A-7
A-18	Process Ownership Functions	A-7
A-19	Input and Output Functions	A-7
A-20	Device Control Functions	A-8
A-21	System Database Functions	A-8

About This Guide

This guide is designed for programmers who are using computer systems running the Compaq Tru64™ UNIX operating system and want to use realtime functions. Users may be writing new realtime applications or they may be porting existing realtime applications from other systems.

This guide explains how to use POSIX 1003.1b (formerly POSIX 1003.4 Draft 14) functions in combination with other system and library functions to write realtime applications. This guide does not attempt to teach programmers how to write applications.

This guide does not present function syntax or reference information. The online reference pages present syntax and explanations of POSIX 1003.1b functions.

Audience

This guide is for application programmers or system engineers who are already familiar with the C programming language. The audience using realtime features is expected to have experience with UNIX operating systems. They also should have experience with UNIX program development tools.

Organization

This guide contains the following chapters:

- Chapter 1* Introduction to Realtime Programming
Describes the realtime functionality supported by the Tru64 UNIX operating system.
- Chapter 2* The Tru64 UNIX Scheduler
Describes the use of P1003.1b functions to determine and set priority for processes in your application. This chapter also describes the priority scheduling policies provided by the Tru64 UNIX operating system.
- Chapter 3* Shared Memory
Describes the creation and use of P1003.1b shared memory for interprocess communication.

<i>Chapter 4</i>	Memory Locking Describes the use of P1003.1b functions for locking and unlocking memory.
<i>Chapter 5</i>	Signals Describes the creation and use of POSIX 1003.1b realtime signals for interprocess communication.
<i>Chapter 6</i>	Clocks and Timers Describes use of P1003.1b functions for constructing and using high-resolution clocks and timers.
<i>Chapter 7</i>	Asynchronous Input and Output Describes the use of P1003.1b functions for asynchronous input and output.
<i>Chapter 8</i>	File Synchronization Describes the use of POSIX 1003.1b functions for synchronized input and output.
<i>Chapter 9</i>	Semaphores Describes the creation and use of P1003.1b semaphores for interprocess synchronization. An example illustrates how to use semaphores and shared memory in combination.
<i>Chapter 10</i>	Messages Describes the creation and use of message queues for interprocess communication and synchronization in realtime applications.
<i>Chapter 11</i>	Realtime Performance and System Tuning Describes tuning techniques for improving realtime system performance.
<i>Appendix A</i>	Tru64 UNIX Realtime Functional Summary Provides tables of commands and functions useful for realtime application development.

Related Documents

The following documents are relevant to writing realtime applications:

- P1003.1b function reference pages
- *POSIX Conformance Document*
- *Programmer's Guide*
- *Guide to the POSIX Threads Library*
- *Installation Guide*
- *System Configuration and Tuning*
- *System Configuration Supplement: OEM Platforms*

- *Writing Software for the International Market*
- Device Driver Kit documentation (available separately from the base operating system)
- *The C Programming Language*, by Kernighan and Ritchie
- *IEEE Standard Portable Operating System Interface for Computer Environments* manuals, published by the Institute of Electrical and Electronics Engineers, Inc.

Icons on Tru64 UNIX Printed Manuals

The printed version of the Tru64 UNIX documentation uses letter icons on the spines of the manuals to help specific audiences quickly find the manuals that meet their needs. (You can order the printed documentation from Compaq.) The following list describes this convention:

- G Manuals for general users
- S Manuals for system and network administrators
- P Manuals for programmers
- R Manuals for reference page users

Some manuals in the documentation help meet the needs of several audiences. For example, the information in some system manuals is also used by programmers. Keep this in mind when searching for information on specific topics.

The *Documentation Overview* provides information on all of the manuals in the Tru64 UNIX documentation set.

Reader's Comments

Compaq welcomes any comments and suggestions you have on this and other Tru64 UNIX manuals.

You can send your comments in the following ways:

- Fax: 603-884-0120 Attn: UBPG Publications, ZKO3-3/Y32
- Internet electronic mail: `readers_comment@zk3.dec.com`

A Reader's Comment form is located on your system in the following location:

```
/usr/doc/readers_comment.txt
```

Please include the following information along with your comments:

- The full title of the manual and the order number. (The order number appears on the title page of printed and PDF versions of a manual.)
- The section numbers and page numbers of the information on which you are commenting.
- The version of Tru64 UNIX that you are using.
- If known, the type of processor that is running the Tru64 UNIX software.

The Tru64 UNIX Publications group cannot respond to system problems or technical support inquiries. Please address technical questions to your local system vendor or to the appropriate Compaq technical support office. Information provided with the software media explains how to send problem reports to Compaq.

Conventions

This guide uses the following conventions:

<code>%</code>	A percent sign represents the C shell system prompt.
<code>#</code>	A number sign represents the default superuser prompt.
<code>% cat</code>	Boldface type in interactive examples indicates typed user input.
<i>file</i>	Italic (slanted) type indicates variable values, placeholders, and function argument names.
<code>. . .</code>	Horizontal ellipsis indicates that the preceding item can be repeated one or more times. It is used in syntax descriptions and function definitions.
<code>:</code>	A vertical ellipsis indicates that a portion of an example that would normally be present is not shown.
<code>cat(1)</code>	A cross-reference to a reference page includes the appropriate section number in parentheses. For example, <code>cat(1)</code> indicates that you can find information on the <code>cat</code> command in Section 1 of the reference pages.

Introduction to Realtime Programming

A realtime application is one in which the correctness of the application depends on the timeliness and predictability of the application as well as on the results of computations. To assist the realtime application designer in meeting these goals, Tru64 UNIX provides features that facilitate efficient interprocess communication and synchronization, a fast interrupt response time, asynchronous input and output (I/O), memory management functions, file synchronization, and facilities for satisfying timing requirements. Tru64 UNIX provides realtime facilities as part of the standard kernel and optional subsets.

Realtime applications are becoming increasingly important in our daily lives and can be found in such diverse environments as the automatic braking system on an automobile, a lottery ticket system, or robotic environmental samplers on a space station. The use of realtime programming techniques is rapidly becoming a common means for improving the predictability of our technology.

This chapter includes the following sections:

- Realtime Overview, Section 1.1
- Tru64 UNIX Realtime System Capabilities, Section 1.2
- Process Synchronization, Section 1.3
- POSIX Standards, Section 1.4
- Enabling Tru64 UNIX Realtime Features, Section 1.5
- Building Realtime Applications, Section 1.6

1.1 Realtime Overview

Realtime applications provide an action or an answer to an external event in a timely and predictable manner. While many realtime applications require high-speed compute power, realtime applications cover a wide range of tasks with differing time dependencies. **Timeliness** has a different definition in each realtime application. What may be fast in one application may be slow or late in another. For example, an experimenter in high-energy physics needs to collect data in microseconds while a meteorologist monitoring the environment might need to collect data in intervals of several minutes.

However, the success of both applications depends on well-defined time requirements.

The concept of **predictability** has many connotations, but for realtime applications it generally means that a task or set of tasks can always be completed within a predetermined amount of time. Depending on the situation, an unpredictable realtime application can result in loss of data, loss of deadlines, or loss of plant production. Examples of realtime applications include process control, factory automation robotics, vehicle simulation, scientific data acquisition, image processing, built-in test equipment, music or voice synthesis, and analysis of high-energy physics.

To have control over the predictability of an application, the programmer must understand which time bounds are significant. For example, an understanding of the *average* time it takes for a context switch does not guarantee task completion within a predictable timeframe. Realtime programmers must know the *worst-case* time requirements so that they can design an application that will always meet worst-case deadlines.

Realtime systems also use techniques to reduce the hazards associated with a worst-case scenario. In some situations, a worst-case realtime deadline may be significantly faster than the nonrealtime, average time.

Realtime applications can be classified as either hard or soft realtime. Hard realtime applications require a response to events within a predetermined amount of time for the application to function properly. If a hard realtime application fails to meet specified deadlines, the application fails. While many hard realtime applications require high-speed responses, the granularity of the timing is not the central issue in a hard realtime application. An example of a hard realtime application is a missile guidance control system, where a late response to a needed correction leads to disaster.

Soft realtime applications do not fail if a deadline is missed. Some soft realtime applications can process large amounts of data or require a very fast response time, but the key issue is whether or not meeting timing constraints is a condition for success. An example of a soft realtime application is an airline reservation system, where an occasional delay is tolerable.

Many realtime applications require high I/O throughput and fast response time to asynchronous external events. The ability to process and store large amounts of data is a key metric for data collection applications. Realtime applications that require high I/O throughput rely on continuous processing of large amounts of data. The primary requirement of such an application is the acquisition of a number of data points equally spaced in time.

High data throughput requirements are typically found in signal-processing applications, such as:

- Sonar and radar analysis

- Telemetry
- Vibration analysis
- Speech analysis
- Music synthesis

Similarly, a continuous stream of data points must be acquired for many of the qualitative and quantitative methods used in the following types of applications:

- Gas and liquid chromatography
- Mass spectrometry
- Automatic titration
- Colorimetry

For some applications, the throughput requirements on any single channel are modest. However, an application may need to handle multiple data channels simultaneously, resulting in a high aggregate throughput. Realtime applications, such as medical diagnosis systems, need a response time of about 1 second while simultaneously handling data from, perhaps, ten external sources.

High I/O throughput may be important for some realtime control systems, but another key metric is the speed at which the application responds to asynchronous external events and its ability to schedule and provide communication among multiple tasks. Realtime applications must capture input parameters, perform decision-making operations, and compute updated output parameters within a given timeframe.

Some realtime applications, such as flight simulation programs, require a response time of microseconds while simultaneously handling data from a large number of external sources. The application might acquire several hundred input parameters from the cockpit controls, compute updated position, orientation, and speed parameters, and then send several hundred output parameters to the cockpit console and a visual display subsystem.

Realtime applications are usually characterized by a blend of requirements. Some portions of the application may consist of hard, critical tasks, all of which must meet their deadlines. Other parts of the application may require heavy data throughput. Many parts of a realtime application can easily run at a lower priority and require no special realtime functionality. The key to a successful realtime application is the developer's ability to accurately define application requirements at every point in the program. Resource allocation and realtime priorities are used only when necessary so that the application is not overdesigned.

1.2 Tru64 UNIX Realtime System Capabilities

The Tru64 UNIX operating system supports facilities to enhance the performance of realtime applications. These realtime facilities make it possible for the operating system to guarantee that the realtime application has access to resources whenever it needs them and for as long as it needs them. That is, the realtime applications running on the operating system can respond to external events regardless of the impact on other executing tasks or processes.

Realtime applications written to run on the operating system make use of and rely on the following system capabilities:

- A preemptive kernel
- Fixed-priority scheduling policies
- Realtime clocks and timers
- Memory locking
- Asynchronous I/O
- File synchronization
- Queued realtime signals
- Process communication facilities

All of these realtime facilities work together to provide the realtime environment. In addition, realtime applications make full use of process synchronization techniques and facilities, as summarized in Section 1.3.

1.2.1 The Value of a Preemptive Kernel

The responsiveness of the operating system to asynchronous events is a critical element of realtime systems. Realtime systems must be capable of meeting the demands of hard realtime tasks with tight deadlines. To do this, the operating system's reaction time must be short and the scheduling algorithm must be simple and efficient.

The amount of time it takes for a higher-priority process to displace a lower-priority process is referred to as **process preemption latency**. In a realtime environment, the primary concern of application designers is the maximum process preemption latency that can occur at run time, the worst-case scenario.

Every application can interact with the operating system in two modes: user mode and kernel mode. User-mode processes call utilities, library functions, and other user applications. A process running in user mode can be preempted by a higher-priority process. During execution, a user-mode process often makes system calls, switching context from user to kernel

mode, where the process interacts with the operating system. Under the traditional timesharing scheduling algorithm, a process running in kernel mode cannot be preempted.

A preemptive kernel guarantees that a higher-priority process can quickly interrupt a lower-priority process, regardless of whether the low-priority process is in user or kernel mode. Whenever a higher-priority process becomes runnable, a preemption is requested, and the higher-priority process displaces the running, lower-priority process.

1.2.1.1 Nonpreemptive Kernel

The standard UNIX kernel is a nonpreemptive kernel; it does not allow a user process to preempt a process executing in kernel mode. When a running process issues a system call and enters kernel mode, preemptive context switches are disabled until the system call is completed. Although there are context switches, a system call may take an arbitrarily long time to execute without voluntarily giving up the processor. During that time, the process that made the system call may delay the execution of a higher-priority, runnable, realtime process.

The maximum process preemption latency for a nonpreemptive kernel is the maximum amount of time it can take for the running, kernel-mode process to switch out of kernel mode back into user mode and then be preempted by a higher-priority process. Under these conditions, it is not unusual for worst-case preemption to take seconds, which is clearly unacceptable for many realtime applications.

1.2.1.2 Preemptive Kernel

A preemptive kernel, such as the Tru64 UNIX kernel with realtime preemption enabled, allows the operating system to respond quickly to a process preemption request. When a realtime user process engages one of the fixed-priority scheduling policies, the Tru64 UNIX kernel can break out of kernel mode to honor the preemption request.

A preemptive kernel supports the concept of process synchronization with the ability to respond quickly to interrupts while maintaining data integrity. The kernel employs mechanisms to protect the integrity of kernel data structures, and defines restrictions on when the kernel can preempt execution.

The maximum process preemption latency for a preemptive kernel is the exact amount of time required to preserve system and data integrity and preempt the running process. Under these conditions, it is not unusual for worst-case preemption to take only milliseconds.

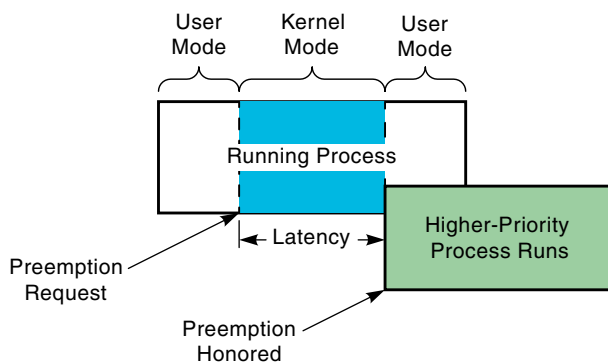
1.2.1.3 Comparing Latency

Figure 1–1 and Figure 1–2 illustrate the process preemption latency that can be expected from a nonpreemptive kernel and a preemptive kernel. In both figures, a higher-priority realtime process makes a preemption request, but the amount of elapsed time until the request is honored depends on the kernel. Latency is represented as the shaded area.

Figure 1–1 shows the expected latency of a nonpreemptive kernel. In this situation, the currently running process moves back and forth between user and kernel mode as it executes. The higher-priority, realtime process advances to the beginning of the priority process list, but cannot preempt the running process while it runs in kernel mode. The realtime process must wait until the running process either finishes executing or changes back to user mode before the realtime process is allowed to preempt the running process.

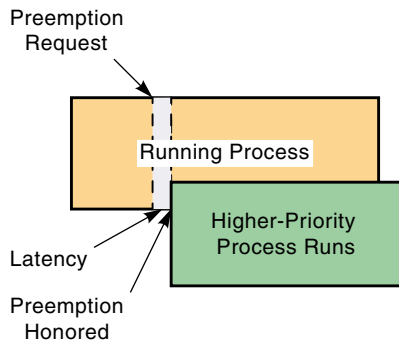
Figure 1–2 shows the expected latency of a preemptive kernel. In this situation, the running process is quickly preempted and the higher-priority, realtime process takes its place on the run queue.

Figure 1–1: Nonpreemptive Kernel



MLO-007312

Figure 1–2: Preemptive Kernel



MLO-007313

1.2.2 Fixed-Priority Scheduling Policies

The scheduler determines how CPU resources are allocated to executing processes. Each process has a priority that associates the process with a run queue. Each process begins execution with a base priority that can change as the application executes, depending on the algorithm used by the scheduler or application requirements.

The algorithm or set of rules that governs how the scheduler selects runnable processes, how processes are queued, and how much time each process is given to run is called a **scheduling policy**. Scheduling policies work in conjunction with priority levels. Generally speaking, the higher a process's priority, the more frequently the process is allowed to execute. But the scheduling policy may determine how long the process executes. The realtime application designer balances the nature of the work performed by the process with the process's priority and scheduling policy to control use of system resources.

If the realtime subset is installed on your system, the operating system supports two distinctly different scheduling interfaces: the `nice` interface and the realtime interface. The `nice` interface provides functions for managing nonrealtime applications running at nonrealtime priority level. The `nice` interface uses the timesharing scheduling policy, which allows the scheduler to dynamically adjust priority levels of a process. You have access to the realtime scheduling interface only if you have installed the realtime subset.

The realtime interface supports a nonrealtime (timesharing) scheduling policy and two fixed-priority, preemptive scheduling policies for realtime applications. Under the timesharing scheduling policy, process priorities are automatically adjusted by the scheduler. Under the fixed-priority scheduling policies (round-robin and first-in/first-out), the scheduler never

automatically changes the priority of a process. Instead, the application designer determines when it is appropriate for a process to change priorities.

The realtime interface provides a number of functions to allow the realtime application designer to control process execution. In addition, realtime scheduling policies are attached to individual processes, giving the application designer control over individual processes.

POSIX scheduling policies have overlapping priority ranges: The highest priority range is reserved for realtime applications, the middle priority range is used by the operating system, and the lowest priority range is used for nonprivileged user processes. Realtime priority ranges loosely map to the `nice` priority range, but provide a wider range of priorities for a realtime process. Figure 2–4 illustrates the priority ranges for both the `nice` and realtime scheduling interfaces.

Not all realtime processes need to run in the realtime priority range. When using the realtime interface, each process begins execution under the timesharing scheduling policy with an associated timesharing priority. The application designer determines which processes are time-critical and under what circumstances processes should run at an elevated priority level. The application designer calls P1003.1b functions to set the appropriate priority and scheduling policy.

Under the first-in/first-out (`SCHED_FIFO`) scheduling policy, a running process continues to execute if there are no other higher-priority processes. The user can raise the priority of a running process to avoid its being preempted by another process. Therefore, a high-priority, realtime process running under the first-in/first-out scheduling policy can use system resources as long as necessary to finish realtime tasks.

Under the round-robin (`SCHED_RR`) scheduling policy, the highest-priority process runs until either its allotted time (quantum) is complete or until the process is preempted by another, higher-priority process. When a process reaches the end of its quantum, it takes its place at the end of the run queue for processes that have the same priority. Processes at that priority continue to execute as long as the waiting processes have lower priorities. Therefore, high-priority processes running under the round-robin scheduling policy can share the processor with other time-critical processes.

When a process raises its priority and preempts a running process, the scheduler saves the run-time context of the preempted process so that context can be restored when the process is allowed to run again. The preempted process remains in a runnable state even though it was preempted.

For information on using priority and scheduling policy functions, see Chapter 2.

1.2.3 Realtime Clocks and Timers

Realtime timers often schedule tasks and events in time increments considerably smaller than the traditional 1-second timeframe. Because the system clock and realtime timers use seconds and nanoseconds as the basis for time intervals, the resolution for the system clock, realtime timers, and the `nanosleep` function has a fine granularity. For example, in a robotic data acquisition application, information retrieval and recalculation operations may need to be completed within a 4-millisecond timeframe. Timers are created to fire every 4 milliseconds to trigger the collection of another round of data. On expiration, a timer sends a signal to the calling process.

Realtime timers must be flexible enough to allow the application to set timers based on either absolute or relative time. Furthermore, timers must be able to fire as a one-shot or periodic timer. The application creates timers in advance, but specifies timer characteristics when the timer is set.

Realtime applications use timers to coordinate and monitor the correctness of a realtime application. Some applications may require only one per-process timer; others may require multiple timers. Each timer is created and armed independently, which means that the application designer controls the action of each timer.

The system clock provides the timing base for realtime per-process timers, and is the source for timer synchronization. This clock maintains user and system time as well as the current time and date. An option is also available for using a high-resolution clock (see Section 6.1.5).

Clock and timer functions allow you to retrieve and set the system clock, suspend execution for a period of time, provide high-resolution timers, and use asynchronous signal and realtime signal notification.

For information on using clock and timer functions, see Chapter 6.

1.2.4 Memory Locking

Memory locking is one of the primary tools available to the realtime application designer for reducing latency. Without locking time-critical processes into memory, the latency caused by paging would introduce involuntary and unpredictable time delays at run time.

A realtime application needs a mechanism for guaranteeing that time-critical processes are locked into memory and not subjected to memory management appropriate only for timesharing applications. (In a virtual memory system, a process may have part of its address space paged in and out of memory in response to system demands for critical space.)

The P1003.1b memory-locking functions allow the application designer to lock process address space into memory. The application can lock in not only the current address space, but also any future address space the process may use during execution.

For information on using memory-locking functions, see Chapter 4.

1.2.5 Asynchronous I/O

Asynchronous I/O allows the calling process to resume execution immediately after an I/O operation is queued, without awaiting completion. Asynchronous I/O is desirable in many different applications, ranging from graphics and file servers to dedicated realtime data acquisition and control systems. The process immediately continues execution, thus overlapping operations.

Often, one process simultaneously performs multiple I/O functions while other processes continue execution. For example, an application may need to gather large quantities of data from multiple channels within a short, bounded period of time. In such a situation, blocking I/O may work at cross purposes with application timing constraints. Asynchronous I/O performs nonblocking I/O, allowing simultaneous reads and writes, which frees processes for additional processing.

Notification of asynchronous I/O completion is optional and can be done without the overhead of calling signal functions by using the `aio_cb` data structure, providing faster interprocess communication.

For information on using asynchronous I/O functions, see Chapter 7.

1.2.6 Synchronized I/O

Synchronized I/O may be preferable to asynchronous I/O when the integrity of data and files is critical to an application. Synchronized output assures that data that is written to a device is actually stored there. Synchronized input assures that data that is read from a device is a current image of data on that device. For both synchronized input and output, the function does not return until the operation is complete and verified.

Synchronized I/O offers two separate options:

- Ensure integrity of file data and file control information
- Ensure integrity of file data and only the file control information that is needed to access the data

For information on using synchronized I/O features, see Chapter 8.

1.2.7 Realtime Interprocess Communication

Interprocess communication (IPC) is the exchange of information between two or more processes. In single-process programming, modules within a single process communicate by using global variables and function calls, with data passing between the functions and the callers. In multiprocess programming with images running in separate address space, you need to use additional communication mechanisms for passing data.

Tru64 UNIX interprocess communication facilities allow the realtime application designer to synchronize independently executing processes by passing data within an application. Processes can pursue their own tasks until they must synchronize with other processes at some predetermined point. When they reach that point, they wait for some form of communication to occur. Interprocess communication can take any of the following forms:

- Shared memory (Chapter 3) is the fastest form of interprocess communication. As soon as one process writes data to the shared memory area, it is available to other processes using the same shared memory. Tru64 UNIX supports P1003.1b shared memory.
- Signals (Chapter 5) provide a means to communicate to a large number of processes. Signals for timer expiration and asynchronous I/O completion use a data structure, making signal delivery asynchronous, fast, and reliable. POSIX 1003.1b realtime signals include:
 - A range of priority-ordered, application-specific signals from SIGRTMIN to SIGRTMAX.
 - A mechanism for queueing signals for delivery to a process.
 - A mechanism for providing additional information about a signal to the process to which it is delivered.
 - Features that allow efficient signal delivery to a process when a POSIX 1003.1b timer expires, when a message arrives on an empty message queue, or when an asynchronous I/O operation completes.
 - Functions that allow a process to respond more quickly to signal delivery.
- Semaphores (Chapter 9) are most commonly used to control access to system resources, such as shared-memory regions. Tru64 UNIX supports P1003.1b semaphores.
- Messages (Chapter 10) can be used by cooperating processes that communicate by accessing systemwide message queues. The message queue interface is a set of structures and data that allows processes to send and receive messages to a message queue.

Some forms of interprocess communication are traditionally supplied by the operating system and some are specifically modified for use in realtime

functions. All allow a user-level or kernel-level process to communicate with a user-level process. Interprocess communication facilities are used to notify processes that an event has occurred or to trigger the process to respond to an application-defined occurrence. Such occurrences can be asynchronous I/O completion, timer expiration, data arrival, or some other user-defined event.

To provide rapid signal communication on timer expiration and asynchronous I/O completion, these functions send signals through a common data structure. It is not necessary to call signal functions.

1.3 Process Synchronization

Use of synchronization techniques and restricting access to resources can ensure that critical and noncritical tasks execute at appropriate times with the necessary resources available. Concurrently executing processes require special mechanisms to coordinate their interactions with other processes and their access to shared resources. In addition, processes may need to execute at specified intervals.

Realtime applications synchronize process execution through the following techniques:

- Waiting for a specified period of time
- Waiting for semaphores
- Waiting for communication
- Waiting for other processes

The basic mechanism of process synchronization is waiting. A process must synchronize its actions with the arrival of an absolute or relative time, or until a set of conditions is satisfied. Waiting is necessary when one process requires another process to complete a certain action, such as releasing a shared system resource or allowing a specified amount of time to elapse, before processing can continue.

The point at which the continued execution of a process depends on the state of certain conditions is called a **synchronization point**. Synchronization points represent intersections in the execution paths of otherwise independent processes, in which the actions of one process depend on the actions of another process.

The application designer identifies synchronization points between processes and selects the functions best suited to implement the required synchronization.

The application designer identifies resources, such as message queues and shared memory, that the application will use. Failure to control access to critical resources can result in performance bottlenecks or inconsistent

data. For example, the transaction processing application of a national ticket agency must be prepared to process purchases simultaneously from sites around the country. Ticket sales are transactions recorded in a central database. Each transaction must be completed as either rejected or confirmed before the application performs further updates to the database. The application performs the following synchronization operations:

- Restricts access to the database
- Provides a reasonable response time
- Ensures against overbookings

Processes compete for access to the database. In doing so, some processes must wait for either confirmation or rejection of a transaction.

1.3.1 Waiting for a Specified Period of Time or an Absolute Time

A process can postpone execution for a specified period of time or until a specified time and date. This synchronization technique allows processes to work periodically and to carry out tasks on a regular basis. To postpone execution for a specified period of time, use one of these methods:

- Sleep functions
- Per-process timers

The `sleep` function measures time by seconds, while the `nanosleep` function uses nanoseconds. The granularity of the `nanosleep` function may make it more suitable for realtime applications. For example, a vehicle simulator application may rely on retrieval and recalculation operations that are completed every 5 milliseconds. The application requires a number of per-process timers armed with repetition intervals that allow the application to retrieve and process information within the 5-millisecond deadline.

Realtime clocks and timers allow an application to synchronize and coordinate activities according to a predefined schedule. Such a schedule might require repeated execution of one or more processes at specific time intervals or only once. A timer is set (armed) by specifying an initial start time value and an interval time value. Realtime timing facilities provide applications with the ability to use relative or absolute time and to schedule events on a one-shot or periodic basis.

1.3.2 Waiting for Semaphores

The semaphore allows a process to synchronize its access to a resource shared with other processes, most commonly, shared memory. A **semaphore** is a kernel data structure shared by two or more processes that controls metered access to the shared resource. **Metered access** means that up to

a specified number of processes can access the resource simultaneously. Metered access is achieved by using semaphores.

The semaphore takes its name from the signaling system railroads developed to prevent more than one train from using the same length of track, a technique that enforces exclusive access to the shared resource of the railroad track. A train waiting to enter the protected section of track waits until the semaphore shows that the track is clear, at which time the train enters the track and sets the semaphore to show that the track is in use. Another train approaching the protected track while the first train is using it waits for the signal to show that the track is clear. When the first train leaves the shared section of track, it resets the semaphore to show that the track is clear.

The semaphore protection scheme works only if all the trains using the shared resource cooperate by waiting for the semaphore when the track is busy and resetting the semaphore when they have finished using the track. If a train enters a track marked busy without waiting for the signal that it is clear, a collision can occur. Conversely, if a train exiting the track fails to signal that the track is clear, other trains will think the track is in use and refrain from using it.

The same is true for processes synchronizing their actions through the use of semaphores and shared memory. To gain access to the resource protected by the semaphore, cooperating processes must lock and unlock the semaphore. A calling process must check the state of the semaphore before performing a task. If the semaphore is locked, the process is blocked and waits for the semaphore to become unlocked. Semaphores restrict access to a shared resource by allowing access to only one process at a time.

An application can protect the following resources with semaphores:

- Global variables, such as file variables, pointers, counters, and data structures. Synchronizing access to these variables means preventing simultaneous access, which also prevents one process from reading information while another process is writing it.
- Hardware resources, such as tape drives. Hardware resources require controlled access for the same reasons as global variables; that is, simultaneous access could result in corrupted data.
- The kernel. A semaphore can allow processes to alternate execution by limiting access to the kernel on an alternating basis.

For information on using shared memory and semaphores, see Chapter 3 and Chapter 9.

1.3.3 Waiting for Communication

Typically, communication between processes is used to trigger process execution so the flow of execution follows the logical flow of the application design. As the application designer maps out the program algorithm, dependencies are identified for each step in the program. Information concerning the status of each dependency is communicated to the relevant processes so that appropriate action can be taken. Processes synchronize their execution by waiting for something to happen; that is, by waiting for communication that an event occurred or a task was completed. The meaning and purpose of the communication are established by the application designer.

Interprocess communication facilitates application control over the following:

- When and how a process executes
- The sequence of execution of processes
- How resources are allocated to service requests from the processes

Section 1.2.7 introduced the forms of interprocess communication available to the realtime application designer. For further information on using interprocess communication facilities, see Chapter 3, Chapter 5, Chapter 9, and Chapter 10.

1.3.4 Waiting for Another Process

Waiting for another process means waiting until that process has terminated. For example, a parent process can wait for a child process or thread to terminate. The parent process creates a child process, which needs to complete some task before the waiting parent process can continue. In such a situation, the actions of the parent and child processes are sometimes synchronized in the following way:

1. The parent process creates the child process.
2. The parent process synchronizes with the child process.
3. The child process executes until it terminates.
4. The termination of the child process signals the parent process.
5. The parent process resumes execution.

The parent process can continue execution in parallel with the child process. However, if child processes are used as a form of process synchronization, the parent process can use other synchronization mechanisms, such as signals and semaphores, while the child process executes.

For information on using signals, see Chapter 5, and for information on using semaphores, see Chapter 9.

1.3.5 Realtime Needs and System Solutions

Table 1–1 summarizes the common realtime needs and the solutions available through P1003.1b functions and the Tru64 UNIX operating system. The realtime needs in the left column of the table are ordered according to their requirement for fast system performance.

Table 1–1: Realtime Needs and System Solutions

Realtime Need	Realtime System Solution
Change the availability of a process for scheduling	Use scheduler functions to set the scheduling policy and priority of the process
Keep critical code or data highly accessible	Use memory-locking functions to lock the process address space into memory
Perform an operation while another operation is in progress	Create a child process or separate thread, or use asynchronous I/O
Perform higher throughput or special-purpose I/O	Use asynchronous I/O
Ensure that data read from a device is actually a current image of data on that device, or that data written to a device is actually stored on that device	Use synchronized I/O
Share data between processes	Use shared memory, or use memory-mapped files
Synchronize access to resources shared between cooperating processes	Use semaphores
Communicate between processes	Use messages, semaphores, shared memory, signals, pipes, and named pipes
Synchronize a process with a time schedule	Set and arm per-process timers
Synchronize a process with an external event or program	Use signals, use semaphores, or cause the process to sleep and to awaken when needed

1.4 POSIX Standards

The purpose of standards is to enhance the portability of programs and applications; that is, to support creation of code that is independent of the hardware or even the operating system on which the application runs. Standards allow users to move between systems without major retraining. In addition, standards introduce internationalization concepts as part of application portability.

The POSIX standards and draft standards apply to the operating system. For the most part, these standards apply to applications coded in the C language. These standards are not mutually exclusive; the Tru64 UNIX realtime environment uses a complement of these standards.

POSIX is a set of standards generated and maintained by standards organizations — they are developed and approved by the Institute of Electrical and Electronics Engineers, Inc. (IEEE) and adopted by the International Organization for Standardization (ISO) and the International Electrotechnical Commission (IEC). Compaq's POSIX implementations follow the standards and drafts defined by the POSIX standards.

Formal standards to date include POSIX 1003.1 for basic system interfaces, and POSIX 1003.13 for assertions a vendor must test to claim conformance to POSIX 1003.1. Draft standards are not formal standards. They are working documents that will evolve over time into formal standards.

Tru64 UNIX supports POSIX standards for a programming interface, threads, and realtime programming extensions, as follows:

- POSIX 1003.1 defines the standard for basic system services on an operating system and describes how system services can be used by POSIX applications. These services allow an application to perform such operations as process creation and execution, file system access, and I/O device management.
- POSIX 1003.1c defines a set of thread functions that can be used in the design and creation of multithreaded realtime applications.
- POSIX 1003.1b provides support for functions that support the needs of realtime applications, such as enhanced interprocess communication, scheduling and memory management control, asynchronous I/O operations, and file synchronization.

As Compaq adds support for evolving and final standards, customers should modify their POSIX applications to conform to the latest version of these standards. Because draft standards are working documents and not formal standards, the level of backward compatibility and formal support for older versions (drafts) will be less than that normally expected from a stable Compaq product.

An application that strictly conforms to any combination of these standards can be developed on one system and then ported to another system that supports the same POSIX standards. (A strictly conforming application uses only the facilities within the applicable standards.) Similarly, an application developed on a non-Compaq platform, if it strictly conforms to the POSIX standards and drafts supported by Compaq systems, can be ported and run on a Compaq system on which the POSIX software is installed.

It is the source code of an application that is portable. Most applications written for a POSIX environment use the C programming language. Each system that supports a POSIX environment includes POSIX run-time libraries and C run-time libraries. A portable application that requires an executable image must be compiled and linked on a system after being ported. It is important that you compile and link your POSIX applications against the run-time libraries on the system where they will run.

The POSIX standards are based on the UNIX environment. However, POSIX specifies an interface to an operating system, not the operating system itself. Additional information on POSIX standards is contained in the *IEEE Standard Portable Operating System Interface for Computer Environments* manuals, published by the Institute of Electrical and Electronics Engineers, Inc.

1.5 Enabling Tru64 UNIX Realtime Features

The files that make up the realtime facility are included with the base system software, and are installed when you choose the realtime option during installation. This provides extended features, such as realtime preemption and symmetric multiprocessing.

Note

If you installed Tru64 UNIX with the default options, realtime preemption is disabled. To enable realtime preemption, the system configuration parameter `rt_preempt_opt` must be set to 1. See the *Installation Guide* for complete instructions.

1.6 Building Realtime Applications

To build a Tru64 UNIX realtime application, you must first define the POSIX environment, then compile the application with the appropriate compile command switches. These steps draw POSIX header information and realtime libraries into your code.

1.6.1 Defining the POSIX Environment

Realtime applications should include the `unistd.h` header file before they include any other header files. This header file defines the standard macros, for example `_POSIX_C_SOURCE`, that are required to compile programs containing POSIX 1003.1b functions. If you need to exclude any of the standards definitions provided by the `unistd.h` header file, you should explicitly define those standards macros in the source file or on the compilation command line.

As a general rule, use specific definitions in your application *only* if your application must *exclude* certain definitions related to other unneeded standards, such as XPG3. For example, if you defined `_POSIX_C_SOURCE` (`#define _POSIX_C_SOURCE 199506L`) in your application, you would get *only* the definitions for POSIX 1003.1b and other definitions pulled in by that definition, such as POSIX 1003.1.

Restriction

Currently, one known anomaly is associated with explicitly defining `_POSIX_C_SOURCE` in your application (or on the compile line). The symbol `SA_SIGINFO`, defined in `sys/signal.h`, is not visible under certain namespace conditions when `_POSIX_C_SOURCE` is explicitly defined.

If you do not explicitly define `_POSIX_C_SOURCE`, and instead allow it to be implicitly defined by `unistd.h`, the `SA_SIGINFO` symbol is visible.

However, if you must explicitly define `_POSIX_C_SOURCE`, then you can make `SA_SIGINFO` visible if you also explicitly define `_OSF_SOURCE`.

The following example shows the code you would include as the first line of code in either your local header file or your application code:

```
#include <unistd.h>
```

Because the `unistd.h` header file defines all the standards needed for realtime applications, it is important that this `#include` is the first line of code in your application.

1.6.2 Compiling and Linking Realtime Applications

When you compile realtime applications, you must explicitly load the required realtime run-time library, `librt`, and, if asynchronous I/O is used, the required asynchronous I/O run-time library, `libaio`.

1.6.2.1 Compiling Realtime Applications

Realtime applications require the realtime library, `librt`. The `librt` library provides the following functions to support realtime programming:

- P1003.1b priority scheduling functions
- P1003.1b clock functions
- P1003.1b timer functions
- P1003.1b memory-locking functions

- P1003.1b message functions
- P1003.1b shared-memory functions
- P1003.1b semaphore functions
- P1003.1b realtime signal functions

You can specify the realtime shareable library, `librt.so`, or the static library, `librt.a`. (To use `librt.a`, your Tru64 UNIX system installation must include Software Development Software Subset OSFLIB $_{nnn}$, Static Libraries.)

The following example specifies that the realtime shareable library, `librt.so`, is to be included from the `/usr/shlib` directory:

```
# cc myprogram.c -L/usr/shlib -lrt
```

The `-l` switch specifies the name of a library (omitting its `lib-` prefix) to include. The `-L` switch indicates the search path for the linker to use to locate libraries.

To find the realtime library, the `ld` linker expands the command specification by replacing the `-l` with `lib` and adding the specified library characters and the appropriate suffix, `.so` or `.a`. Because the linker searches default directories in an attempt to locate the realtime run-time library, you must specify the pathname if you do not want to use the default.

The following example specifies that the realtime static library, `librt.a`, is to be included from the `/usr/ccs/lib` directory:

```
# cc -non_shared myprogram.c -L/usr/ccs/lib -lrt
```

The realtime library uses the `libc` library. When you compile an application, the `libc` library is automatically pulled into the compilation.

For most compiler drivers, you can view the compilation phases of the driver program and the libraries being searched by specifying the `-v` option on the compile command.

1.6.2.2 Compiling Realtime Applications That Use Asynchronous I/O

Realtime applications that use asynchronous I/O require the asynchronous I/O shareable run-time library, `libaio`. (If your application performs asynchronous I/O to raw partitions rather than files, you require `libaio_raw`; see Section 7.3.) The `libaio` library provides P1003.1b asynchronous I/O functions.

When you compile an application that uses asynchronous I/O, you must also specify `-pthread` on the compile command line. Doing so directs the linker to use threadsafe libraries and to include the P1003.1c POSIX Threads interfaces from `libpthread.so`.

The following example specifies that the asynchronous I/O shareable run-time library, `libaio.so`, is to be included from the `/usr/shlib` directory:

```
# cc myprogram.c -L/usr/shlib -laio -pthread
```

1.6.2.3 Linking a Previously Compiled Realtime Application

Should a situation require you to just link (not compile) your realtime application, you must explicitly include the `libc` library. Because files are processed in the order in which they appear on the link command line, `libc` must appear after `librt`. For example, you would link an application with the realtime shareable library, `librt.so`, as follows:

```
# ld myprogram.o -L/usr/shlib -lrt -lc
```

The Tru64 UNIX Scheduler

On a single-processor system, only one process's code executes at a time. The scheduler chooses which process has control of the CPU based on priority; the highest-priority process executes first.

The scheduler has 64 priority levels; every process on the system is at one of these priority levels. The priority level at which a process is allowed to execute, its scheduling interactions with other processes at that level, and if or how it moves between priority levels are determined by its scheduling policy.

Tru64 UNIX provides two interfaces to the scheduler: the traditional UNIX timesharing interface (`nice`) and the POSIX 1003.1b realtime execution scheduling interface.

This chapter includes the following sections:

- Scheduler Fundamentals, Section 2.1
- Scheduling Policies, Section 2.2
- Process Priorities, Section 2.3
- Scheduling Functions, Section 2.4
- Priority and Policy Example, Section 2.5

2.1 Scheduler Fundamentals

This section explains the terms and concepts needed to understand the Tru64 UNIX scheduler.

2.1.1 Schedulable Entities

The scheduler operates on **threads**. A thread is a single, sequential flow of control within a process. Within a given thread is a single point of execution. Most traditional processes consist of only one thread and one point of execution.

Using POSIX Threads, Compaq's multithreading run-time library, a programmer can create several threads within a process. Threads execute independently and, within a multithreaded process, each thread has its own point of execution.

The scheduler considers all threads on the system and runs the one with the highest priority.

2.1.2 Thread States

Every thread has a state. The thread currently executing in the CPU is in the **run** state. Threads that are ready to run are in the **runnable** state. Threads that are waiting for a condition to be satisfied are in the **wait** state. Examples of conditions a thread may be waiting for are a signal from another process, a timer expiration, or an I/O completion.

The scheduler selects the highest-priority thread in the running or runnable state to execute on the CPU. Thus the running thread is always the one with the highest priority.

2.1.3 Scheduler Database

All runnable threads have entries in the scheduler database. The scheduler database is an array of 64 lists, one list for each priority level.

The scheduler orders the processes on each priority-level list by placing the process that should run next at the beginning of the list, and the process that should wait the longest to run at the end of the list.

2.1.4 Quantum

Each thread has a value associated with it, known as a **quantum**, that defines the maximum amount of contiguous CPU time it may use before being forced to yield the CPU to another thread of the same priority.

A thread's quantum is set according to its scheduling policy. The goal of the timesharing policy is to choose a short enough time so that multiple users all think the system is responsive while allowing a long enough time to do useful work. Some realtime policies have an infinite quantum, because the work to be done is considered so important that it should not be interrupted by a process of equal priority.

2.1.5 Scheduler Transitions

A new thread is selected to run when one of the following events occurs:

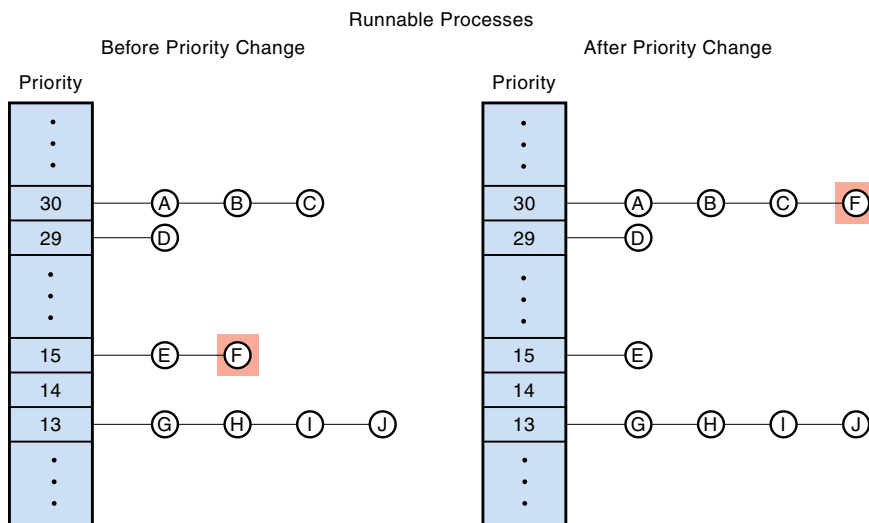
- The running process enters a wait state
- A higher-priority process becomes runnable
- A process changes scheduling policy
- The quantum of the running process expires

When an event occurs, the scheduler updates the scheduler database. If a thread in the database now has priority higher than that of the currently running thread, the current thread is preempted, placed into the scheduler database, and the highest-priority thread is made the running thread. A scheduler that works in this manner is known as a **preemptive priority scheduler**.

When a thread is placed into a priority list in the scheduler database, it is placed at the end of the list unless it has just been preempted. If it has just been preempted, the threads scheduling policy determines whether it is inserted at the beginning (realtime scheduling policy) or the end (timeshare scheduling policy).

Figure 2–1 illustrates the general principles of process scheduling.

Figure 2–1: Order of Execution



MLO-007315

Processes A, B, and C are in the process list for the highest priority used in this illustration. Process A is at the beginning of the process list for priority 30. That means that process A executes first, then processes B and C, respectively. When no more processes remain in the process list for priority 30, the scheduler looks to the next-lowest priority, finds process D at the beginning of the process list, and executes process D.

When a process changes priority, it goes to the end of the process list for its new priority. Figure 2–1 shows process F changing priority from 15 to 30. At priority 15, process F is at the end of the process list. When process F changes to priority 30, the process goes to the end of the process list for

priority 30. At priority 30, process F is queued to execute after process C, but before process D.

Figure 2–2 illustrates how processes can change from the running state to the runnable state within the queue for a single priority. In this illustration, processes running under the SCHED_RR scheduling policy move in and out of the running state.

Figure 2–2: Process Events

Event	Reaction	The Running Process Is:	The Runnable Processes Are:
G reaches beginning of the queue and starts its quantum	G moves to running		
		G	—(H)—(I)
A is a higher priority, becomes runnable, and preempts G	G preempted - goes to the beginning of the queue		
		A	—(G)—(H)—(I)
A yields or enters waiting state	G runs again to finish its quantum		
		G	—(H)—(I)
G finishes its quantum	G goes to the end of the queue H moves to running		
		H	—(I)—(G)
A is a higher priority, becomes runnable, and preempts H	H preempted - goes to the beginning of the queue		
		A	—(H)—(I)—(G)
A raises priority of K	K changes priority K goes to the end of the queue		
		A	—(H)—(I)—(G)—(K)

MLO-007316

As processes are selected to run or move from the end to the beginning of the process list, the scheduler continually updates the kernel database and the process list for each priority.

2.2 Scheduling Policies

Whether or not a timesharing process runs is often determined not by the needs of the application, but by the scheduler's algorithm. The scheduler determines the order in which processes execute and sometimes forces resource-intensive processes to yield to other processes.

Other users' activities on the system at that time affect scheduling. Whether or not a realtime process yields to another process can be based on a quantum or the scheduling policy.

2.2.1 The Nature of the Work

Scheduling policies are designed to give you flexibility and control in determining how work is performed so that you can balance the nature of the work with the behavior of the process. Essentially, there are three broad categories of work:

- **Timesharing Processing**

Used for interactive and noninteractive applications with no critical time limits but with a need for reasonable response time and high throughput.

- **System Processing**

Used for work on behalf of the system, such as paging, networking, and accessing files. The responsiveness of system processing impacts the responsiveness of the whole system.

- **Realtime Processing**

Used for critical work that must be completed within a certain time period, such as data collection or device control. The nature of realtime processing often means that missing a deadline makes the data invalid or causes damage.

To control scheduling policies, you must use P1003.1b realtime scheduling functions and select an appropriate scheduling policy for your process. Tru64 UNIX P1003.1b scheduling policies are set only through a call to the `sched_setscheduler` function. The `sched_setscheduler` function recognizes the scheduling policies by keywords beginning with `SCHED_`, as follows:

Keyword	Description
<code>SCHED_OTHER</code>	Timesharing scheduling
<code>SCHED_FIFO</code>	First-in/first-out scheduling
<code>SCHED_RR</code>	Round-robin scheduling

All three scheduling policies have overlapping priority ranges to allow for maximum flexibility in scheduling. When selecting a priority and scheduling policy for a realtime process, consider the nature of the work performed by the process. Regardless of the scheduling policy, the scheduler selects the process at the beginning of the highest-priority, nonempty process list to become a running process.

2.2.2 Timesharing Scheduling

The P1003.1b timesharing scheduling policy, `SCHED_OTHER`, allows realtime applications to return to a nonrealtime scheduling policy. In timesharing scheduling, a process starts with an initial priority that either the user or the scheduler can change. Timesharing processes run until the scheduler recalculates process priority, based on the system load, the length of time the process has been running, or the value of `nice`. Section 2.3.1 describes timesharing priority changes in more detail.

Under the timesharing scheduling policy, the scheduler enforces a quantum. Processes are allowed to run until they are preempted, yield to another process, or finish their quantum. If no equal or higher-priority processes are waiting to run, the executing process is allowed to continue. However, while a process is running, the scheduler changes the process's priority. Over time, it is likely that a higher-priority process will exist because the scheduler adjusts priority. If a process is preempted or yields to another process, it goes to the end of the process list for the new priority.

2.2.3 Fixed-Priority Scheduling

With a fixed-priority scheduling policy, the scheduler does not adjust process priorities. If the application designer sets a process at priority 30, it will always be queued to the priority 30 process list, unless the application or the user explicitly changes the priority.

As with all scheduling policies, fixed-priority scheduling is based on the priorities of all runnable processes. If a process waiting on the process list has a higher priority than the running process, the running process is preempted for the higher-priority process. However, the two fixed-priority scheduling policies (`SCHED_FIFO` and `SCHED_RR`) allow greater control over the length of time a process waits to run.

Fixed-priority scheduling relies on the application designer or user to manage the efficiency of process priorities relative to system workloads. For example, you may have a process that must be allowed to finish executing, regardless of other activities. In this case, you may elect to increase the priority of your process and use the first-in/first-out scheduling policy, which guarantees that a process will never be placed at the end of the process list if it is preempted. In addition, the process's priority will never be adjusted

and it will never be moved to another process list. With fixed-priority scheduling policies, you must explicitly set priorities by calling either the `sched_setparam` or `sched_setscheduler` function. Thus, realtime processes using fixed-priority scheduling policies are free to yield execution resources to each other in an application-dependent manner.

If you are using a fixed-priority scheduling policy and you call the `nice` or `renice` function to adjust priorities, the function returns without changing the priorities.

2.2.3.1 First-In/First-Out Scheduling

The first-in/first-out scheduling policy, `SCHED_FIFO`, gives maximum control to the application. This scheduling policy does not enforce a quantum. Rather, each process runs to completion or until it voluntarily yields or is preempted by a higher-priority process.

Processes scheduled under the first-in/first-out scheduling policy are chosen from a process priority list that is ordered according to the amount of time its processes have been on the list without being executed. Under this scheduling policy, the process at the beginning of the highest-priority, nonempty process list is executed first. The next process moves to the beginning of the list and is executed next. Execution continues until that priority list is empty. Then the scheduler selects the process at the beginning of the next highest-priority, nonempty process list and execution continues. A process runs until execution finishes or the process is preempted by a higher-priority process.

The process at the beginning of a process list has waited at that priority the longest amount of time, while the process at the end of the list has waited the shortest amount of time. Whenever a process becomes runnable, it is placed on the end of a process list and waits until the processes in front of it have executed. When a process is placed in an empty high-priority process list, the process will preempt a lower-priority running process.

If an application changes the priority of a process, the process is removed from its list and placed at the end of the new priority process list.

The following rules determine how runnable processes are queued for execution using the first-in/first-out scheduling policy:

- When a process is preempted, it goes to the beginning of the process list for its priority.
- When a blocked process becomes runnable, it goes to the end of the process list for its priority.

- When a running process changes the priority or scheduling policy of another process, the changed process goes to the end of the new priority process list.
- When a process voluntarily yields to another process, it goes to the end of the process list for its priority.

The first-in/first-out scheduling policy is well suited for the realtime environment because it is deterministic. That is, processes with the highest priority always run, and among processes with equal priorities, the process that has been runnable for the longest period of time is executed first. You can achieve complex scheduling by altering process priorities.

Also, under the first-in/first-out scheduling policy, the user can raise the priority of a running process to avoid its being preempted by another process. Therefore, a high-priority, realtime process running under the first-in/first-out scheduling policy can use system resources as long as necessary to finish realtime tasks.

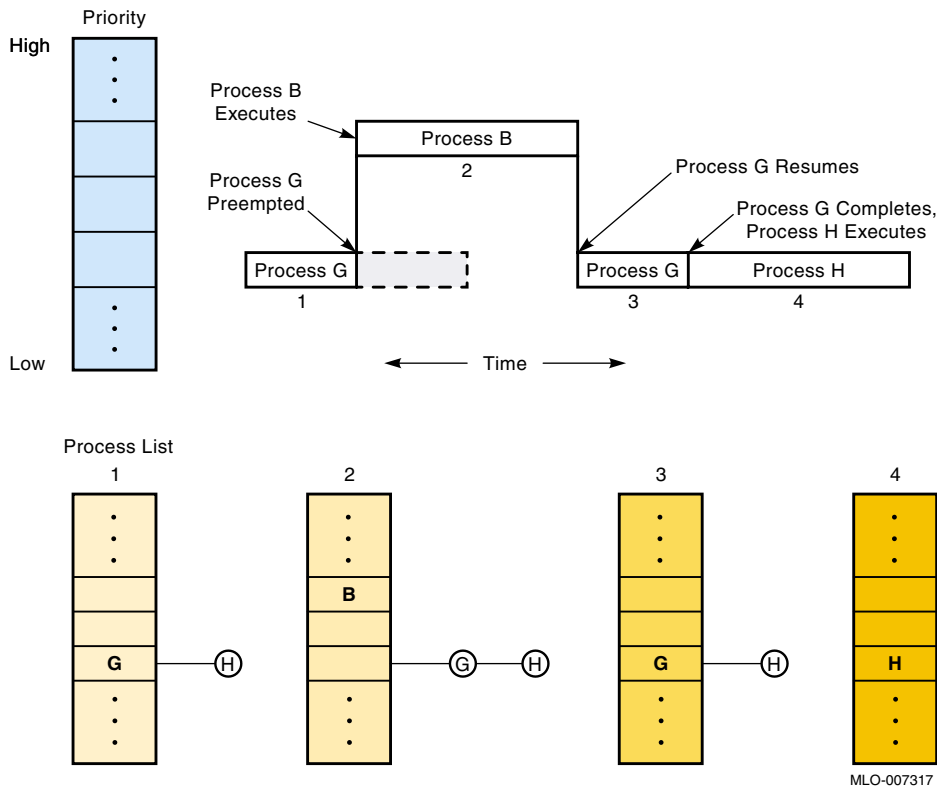
2.2.3.2 Round-Robin Scheduling

The round-robin scheduling policy, `SCHED_RR`, is a logical extension of the first-in/first-out scheduling policy. A process running under the round-robin scheduling policy is subject to the same rules as a process running under the fixed-priority scheduling policy, but a quantum is imposed on the running process. When a process finishes its quantum, it goes to the end of the process list for its priority.

Processes under the round-robin scheduling policy may be preempted by a higher-priority process before the quantum has expired. A preempted process goes to the beginning of its priority process list and completes the previously unexpired portion of its quantum when the process resumes execution. This ensures that a preempted process regains control as soon as possible.

Figure 2–3 shows process scheduling using a quantum. One portion of the figure shows the running process; the other portion of the figure shows what happens to running processes over time. Process G is removed from the beginning of the process list, placed in the run queue, and begins execution. Process B, a higher-priority process, enters the runnable state while process G is running. The scheduler preempts process G to execute process B. Because process G had more time left in its quantum, the scheduler returns process G to the beginning of the process list, keeps track of the amount of time left in process G's quantum, and executes process B. When process B finishes, process G is again moved into the run queue and finishes its quantum. Process H, next in the process list, executes last.

Figure 2–3: Preemption — Finishing a Quantum



Round-robin scheduling is designed to provide a facility for implementing time-slice algorithms. You can use the concept of a quantum in combination with process priorities to facilitate time-slicing. You can use the `sched_rr_get_interval` function to retrieve the quantum used in round-robin scheduling. If a process, running under the round-robin scheduling policy, runs without blocking or yielding for more than this amount of time, it may be preempted by another runnable process at the same priority.

2.3 Process Priorities

All applications are given an initial priority, either implicitly by the operating system or explicitly by the user. If you fail to specify a priority for a process, the kernel assigns the process an initial priority.

You can specify and manage a process's priority using either `nice` or `P1003.1b` functions. The `nice` functions are useful for managing priorities for nonrealtime, timesharing applications. However, realtime priorities are higher than the `nice` priorities and make use of the `P1003.1b` scheduling

policies. You can manage realtime priorities only by using the associated P1003.1b functions.

In general, process scheduling is based on the concept that tasks can be prioritized, either by the user or by the scheduler. Each process table entry contains a priority field used in process scheduling. Conceptually, each priority level consists of a process list. The process list is ordered with the process that should run first at the beginning of the list and the process that should run last at the end of the list. Because a single processor can execute only one process at a time, the scheduler selects the first process at the beginning of the highest-priority, nonempty process list for execution.

Priority levels are organized in ranges. The nonprivileged user application runs in the same range as most applications using the timesharing scheduling policy. Most users need not concern themselves with priority ranges above this range. Privileged applications (system or realtime) use higher priorities than nonprivileged user applications. In some instances, realtime and system processes can share priorities, but most realtime applications will run in a priority range that is higher than the system range.

2.3.1 Priorities for the nice Interface

The `nice` interface priorities are divided into two ranges: the higher range is reserved for the operating system, and the lower range for nonprivileged user processes. With the `nice` interface, priorities range from 20 through -20, where 20 is the lowest priority. Nonprivileged user processes typically run in the 20 through 0 range. Many system processes run in the range 0 through -20. Table 2-1 shows the `nice` interface priority ranges.

Table 2-1: Priority Ranges for the nice Interface

Range	Priority Level
Nonprivileged user	20 through 0
System	0 through -20

A numerically low value implies a high priority level. For example, a process with a priority of 5 has a lower priority than a process with a priority of 0. Similarly, a system process with a priority of -5 has a lower priority than a process with a priority of -15. System processes can run at nonprivileged user priorities, but a user process can only increase its priority into the system range if the owner of the user process has `superuser` privileges.

Processes start at the default base priority for a nonprivileged user process (0). Because the only scheduling policy supported by the `nice` interface is timesharing, the priority of a process changes during execution. That is, the `nice` parameter represents the highest priority possible for a process. As the process runs, the scheduler adds offsets to the initial priority, adjusting

the process's priority downward from or upward toward the initial priority. However, the priority will not exceed (be numerically lower than) the `nice` value.

The `nice` interface supports relative priority changes by the user through a call to the `nice`, `renice`, or `setpriority` functions. Interactive users can specify a base priority at the start of application execution using the `nice` command. The `renice` command allows users to interactively change the priority of a running process. An application can read a process's priority by calling the `getpriority` function. Then the application can change a process's priority by calling the `setpriority` function. These functions are useful for nonrealtime applications but do not affect processes running under one of the P1003.1b fixed-priority scheduling policies described in Section 2.2.

See the reference pages for more information on the `getpriority`, `setpriority`, `nice`, and `renice` functions.

2.3.2 Priorities for the Realtime Interface

Realtime interface priorities are divided into three ranges: the highest range is reserved for realtime, the middle range is used by the operating system, and the low range is used for nonprivileged user processes. Tru64 UNIX realtime priorities loosely map to the `nice` priority range, but provide a wider range of priorities. Processes using the P1003.1b scheduling policies must also use the Tru64 UNIX realtime interface priority scheme. Table 2–2 shows the Tru64 UNIX realtime priority ranges.

Table 2–2: Priority Ranges for the Tru64 UNIX Realtime Interface

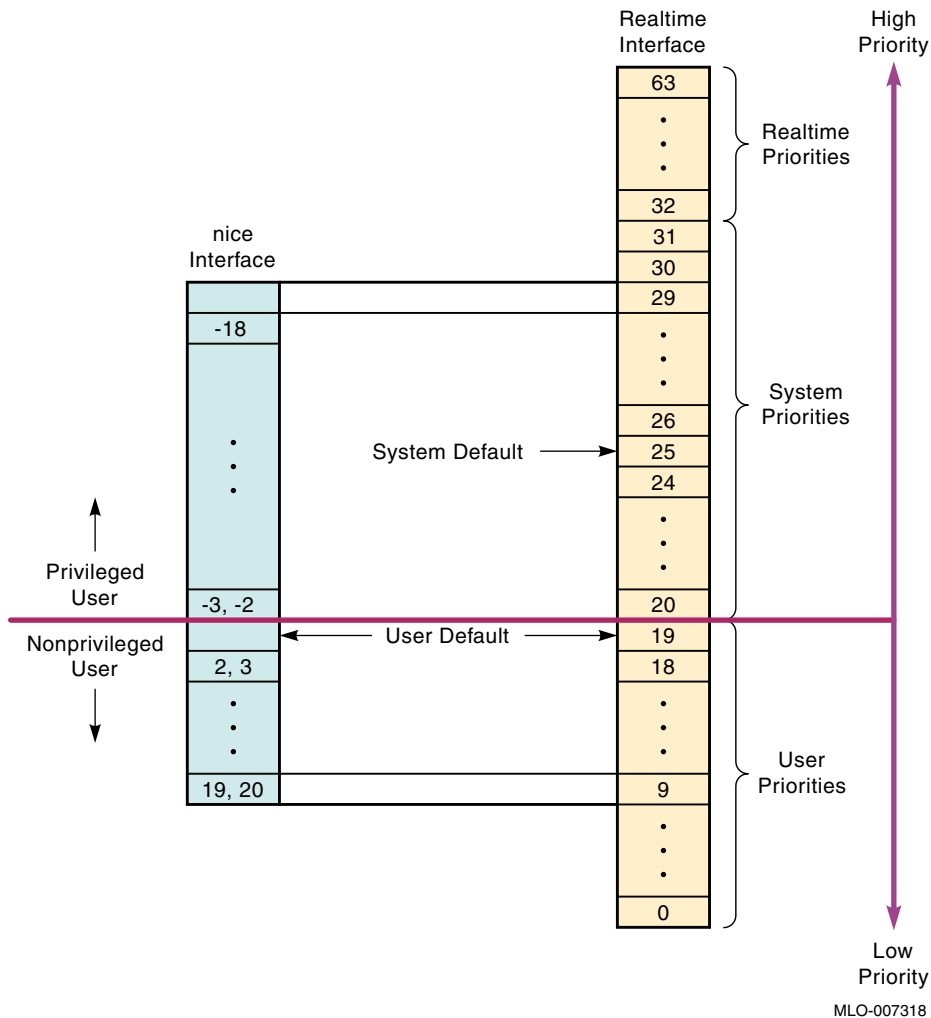
Range	Priority Level
Nonprivileged user	SCHED_PRIO_USER_MIN through SCHED_PRIO_USER_MAX
System	SCHED_PRIO_SYSTEM_MIN through SCHED_PRIO_SYSTEM_MAX
Realtime	SCHED_PRIO_RT_MIN through SCHED_PRIO_RT_MAX

Realtime interface priority levels are the inverse of the `nice` priority levels; a numerically high value implies a high priority level. A realtime process with a priority of 32 has a higher priority than system processes, but a lower priority than another realtime process with a priority of 45. Realtime and system processes can run at nonprivileged user priorities, but a nonprivileged user process cannot increase its priority into the system or realtime range without `superuser` privileges.

The default initial priority for processes using realtime priorities is 19. The default scheduling policy is timesharing.

Figure 2–4 illustrates the relationship between these two priority interfaces.

Figure 2–4: Priority Ranges for the nice and Realtime Interfaces



Note that hardware interrupts are unaffected by process priorities, even the highest realtime priority.

Tru64 UNIX does not support priority inheritance between processes. This is important to remember in prioritizing processes in such a way to avoid priority inversion. Priority inversion takes place when a higher-priority process is blocked by the effects of a lower-priority process.

For example, a client program running at a priority of 60 (realtime priority) blocks while waiting for the receipt of data. This allows a loop program to run at the lower priority of 40 (also realtime priority), but the network thread that dequeues the network packets is running at a system priority of 30. The loop program blocks the network thread, which in turn blocks the higher-priority client process, which is still waiting for the receipt of data.

In this case, the inversion may be resolved by running the network thread at a higher priority than the loop program. When running realtime processes at the exclusive realtime priority level, it is important to ensure that the processes give up the CPU in order for normal system processes to run.

2.3.3 Displaying Realtime Priorities

The `ps` command displays current process status and can be used to give realtime users snapshots of process priorities. Realtime users can use POSIX realtime functions to change process priority. Therefore, the `ps` command is a useful tool for determining if realtime processes are running at the expected priority.

The `ps` command captures the states of processes, but the time required to capture and display the data from the `ps` command may result in some minor discrepancies.

Priorities used in the realtime scheduling interface are displayed when you use the specifier `psxpri` in conjunction with the `-o` or `-O` switch on the `ps` command. Fields in the output format include the process ID (PID), POSIX scheduling priority (PPR), the state of the process (S), control terminal of the process (TTY), CPU time used by the process (TIME), and the process command (COMM).

The following example shows information regarding processes, with or without terminals, and displays timesharing and POSIX priorities. Note that the display indicates that the `ps` command is also running.

```
% ps -aeO psxpri
  PID PPR S  TTY          TIME COMMAND
    0   31 R <  ??          16:52:49 kernel idle
    1   19 I   ??          28:28.03 init
    7   19 I   ??          0:02.72 kloadsrv
   11   19 I   ??          0:00.94 dxterm
      :
14737   60 S<  p2          0:00.01 ./tests/work
13848   15 R   ttyv3       0:01.12 ps
```

In the example above, two processes are using realtime priorities. The first process (PID 0) is running at maximum system priority. The second realtime process (PID 14737) has been sleeping for less than twenty seconds

at priority 60. The processes with PIDs 1, 7, and 11 are idle at the maximum user priority.

For more information, see the reference page for the `ps` command.

2.3.4 Configuring Realtime Priorities

You should assign realtime priorities according to the critical nature of the work the processes perform. Some applications may not need to have all processes running in the realtime priority range. Applications that run in a realtime range for long periods may prevent the system from performing necessary services, which could cause network and device timeouts or data overruns. Some processes perform adequately if they run under a fixed-priority scheduling policy at priority 19. Only critical processes running under a fixed-priority scheduling policy should run with priorities in the realtime range, 32 through 63.

Although P1003.1b functions let you change the scheduling policy while your application is running, it is better to select a scheduling policy during application initialization than to change the scheduling policy while the application executes. However, you may find it necessary to adjust priorities within a scheduling policy as the application executes.

It is recommended that all realtime applications provide a way to configure priorities at run time. You can configure priorities using the following methods:

- Providing a default priority within the realtime priority range by calling the `sched_get_priority_max` and `sched_get_priority_min` functions
- Using a `.rc` initialization file, which overrides the default priority, or using environment variables, which override the default priority
- Adjusting priority during initialization by calling the `sched_setparam` function

Each process should have a default base priority appropriate for the kind of work it performs, and each process should provide a configuration mechanism for changing that base priority. To simplify system management, make the hardcoded default equal to the highest priority used by the application. At initialization, the application should set its process priorities by subtracting from the base priority. Use the constants given in the `sched.h` header file as a guide for establishing your default priorities.

The `sched.h` header file provides the following constants, which may be useful in determining the optimum default priority:

```
SCHED_PRIO_USER_MIN
SCHED_PRIO_USER_MAX
```


SCHED_PRIO_SYSTEM_MIN
SCHED_PRIO_SYSTEM_MAX
SCHED_PRIO_RT_MIN
SCHED_PRIO_RT_MAX

These values are the current values for default priorities. When coding your application, use the constants rather than numerical values. The resulting application will be easier to maintain should default values change.

Debug your application in the nonprivileged user priority range before running the application in the realtime range. If a realtime process is running at a level higher than kernel processes and the realtime process goes into an infinite loop, you must reboot the system to stop process execution.

Although you can adjust priority levels for Tru64 UNIX system priorities using the `nice` or `renice` functions, these functions have a ceiling that is below the realtime priority range. To adjust realtime priorities, use the `sched_getparam` and `sched_setparam` P1003.1b functions, discussed in Section 2.4.3. Adjust process priorities for your own application only. Adjusting system process priorities could have unexpected consequences.

2.4 Scheduling Functions

Realtime processes must be able to select the most appropriate priority level and scheduling policy dynamically. A realtime application often modifies the scheduling policy and priority of a process, performs some function, and returns the process to its previous priority. Realtime processes must also be able to yield system resources to each other in response to specified conditions. The following P1003.1b functions satisfy these realtime requirements:

Function	Description
<code>sched_getscheduler</code>	Returns the scheduling policy of a specified process
<code>sched_getparam</code>	Returns the scheduling priority of a specified process
<code>sched_get_priority_max</code>	Returns the maximum priority allowed for a scheduling policy
<code>sched_get_priority_min</code>	Returns the minimum priority allowed for a scheduling policy
<code>sched_rr_get_interval</code>	Returns the current quantum for the round-robin scheduling policy
<code>sched_setscheduler</code>	Sets the scheduling policy and priority of a specified process

Function	Description
<code>sched_setparam</code>	Sets the scheduling priority of a specified process
<code>sched_yield</code>	Yields execution to another process

See the reference pages for a complete description of these functions.

All the preceding functions, with the exception of the `sched_yield` function, require a process ID parameter (*pid*). In all P1003.1b priority and scheduling functions, a *pid* value of zero indicates that the function call refers to the calling process. Use zero in these calls to eliminate using the `getpid` or `getppid` functions.

The priority and scheduling policy of a process are inherited across a `fork` or `exec` system call.

Changing the priority or scheduling policy of a process causes the process to be queued to the end of the process list for its new priority. You must have superuser privileges to change the realtime priorities or scheduling policies of a process.

2.4.1 Determining Limits

Three functions allow you to determine scheduling policy parameter limits. The `sched_get_priority_max` and `sched_get_priority_min` functions return the appropriate maximum or minimum priority permitted by the scheduling policy. You can use these functions with any of the P1003.1b scheduling policies: first-in/first-out, round-robin, or timesharing. You must specify one of the following keywords when using these functions:

- `SCHED_FIFO`
- `SCHED_RR`
- `SCHED_OTHER`

The `sched_rr_get_interval` function returns the current quantum for process execution under the round-robin scheduling policy.

2.4.2 Retrieving the Priority and Scheduling Policy

Two functions return the priority and scheduling policy for realtime processes, `sched_getparam` and `sched_getscheduler`, respectively. You do not need special privileges to use these functions, but you need superuser privileges to set priority or scheduling policy.

If the *pid* is zero for either function, the value returned is the priority or scheduling policy for the calling process. The values returned by a call to the

`sched_getscheduler` function indicate whether the scheduling policy is `SCHED_FIFO`, `SCHED_RR`, or `SCHED_OTHER`.

2.4.3 Setting the Priority and Scheduling Policy

Use the `sched_getparam` function to determine the initial priority of a process; use the `sched_setparam` function to establish a new priority. Adjusting priority levels in response to predicted system loads and other external factors allows the system administrator or application user greater control over system resources. When used in conjunction with the first-in/first-out scheduling policy, the `sched_setparam` function allows a critical process to run as soon as it is runnable, for as long as it needs to run. This occurs because the process preempts other lower-priority processes. This can be important in situations where scheduling a process must be as precise as possible.

The `sched_setparam` function takes two parameters: *pid* and *param*. The *pid* parameter specifies the process to change. If the *pid* parameter is zero, priority is set for the calling process. The *param* parameter specifies the new priority level. The specified priority level must be within the range for the minimum and maximum values for the scheduling policy selected for the process.

The `sched_setscheduler` function sets both the scheduling policy and priority of a process. Three parameters are required for the `sched_setscheduler` function: *pid*, *policy*, and *param*. If the *pid* parameter is zero, the scheduling policy and priority will be set for the calling process. The *policy* parameter identifies whether the scheduling policy is to be set to `SCHED_FIFO`, `SCHED_RR`, or `SCHED_OTHER`. The *param* parameter indicates the priority level to be set and must be within the range for the indicated scheduling policy.

Notification of a completed priority change may be delayed if the calling process has been preempted. The calling process is notified when it is again scheduled to run.

If you are designing portable applications (strictly conforming POSIX applications), be careful not to assume that the *priority* field is the only field in the `sched_param` structure. All the fields in a `sched_param` structure should be initialized before the structure is passed as the *param* argument to the `sched_setparam` or `sched_setscheduler`. Example 2-1 shows how a process can initialize the fields using only constructs provided by the P1003.1b standard.

Example 2-1: Initializing Priority and Scheduling Policy Fields

```
/* Change to the SCHED_FIFO policy and the highest priority, then */
/* lowest priority, then back to the original policy and priority. */

#include <unistd.h>
#include <sched.h>

#define CHECK(sts,msg) \
    if (sts == -1) { \
        perror(msg); \
        exit(-1); \
    }

main ()
{
    struct sched_param param;
    int my_pid = 0;
    int old_policy, old_priority;
    int sts;
    int low_priority, high_priority;

    /* Get parameters to use later. Do this now */
    /* Avoid overhead during time-critical phases.*/

    high_priority = sched_get_priority_max(SCHED_FIFO);
    CHECK(high_priority,"sched_get_priority_max");
    low_priority = sched_get_priority_min(SCHED_FIFO);
    CHECK(low_priority,"sched_get_priority_min");

    /* Save the old policy for when it is restored. */

    old_policy = sched_getscheduler(my_pid);
    CHECK(old_policy,"sched_getscheduler");

    /* Get all fields of the param structure. This is where */
    /* fields other than priority get filled in. */

    sts = sched_getparam(my_pid, &param);
    CHECK(sts,"sched_getparam");

    /* Keep track of the old priority. */

    old_priority = param.sched_priority;

    /* Change to SCHED_FIFO, highest priority. The param */
    /* fields other than priority get used here. */

    param.sched_priority = high_priority;
    sts = sched_setscheduler(my_pid, SCHED_FIFO, &param);
    CHECK(sts,"sched_setscheduler");

    /* Change to SCHED_FIFO, lowest priority. The param */
    /* fields other than priority get used here, too. */

    param.sched_priority = low_priority;
    sts = sched_setparam(my_pid, &param);
    CHECK(sts,"sched_setparam");

    /* Restore original policy, parameters. Again, other */
    /* param fields are used here. */

    param.sched_priority = old_priority;
    sts = sched_setscheduler(my_pid, old_policy, &param);
```

Example 2–1: Initializing Priority and Scheduling Policy Fields (cont.)

```
    CHECK(sts, "sched_setscheduler 2");  
  
    exit(0);  
}
```

A process is allowed to change the priority of another process only if the target process runs on the same node as the calling process and at least one of the following conditions is true:

- The calling process is a privileged process with a real or effective UID of zero.
- The real user UID or the effective user UID of the calling process is equal to the real user UID or the saved-set user UID of the target process.
- The real group GID or the effective group GID of the calling process is equal to the real group GID or the saved-set group GID of the target process, and the calling process has group privilege.

Before changing the priority of another process, determine which UID is running the application. Use the `getuid` system call to determine the real UID associated with a process.

2.4.4 Yielding to Another Process

Sometimes, in the interest of cooperation, it is important that a running process give up the kernel to another process at the same priority level. Using the `sched_yield` function causes the scheduler to look for another process at the same priority level to run, and forces the caller to return to the runnable state. The process that calls the `sched_yield` function resumes execution after all runnable processes of equal priority have been scheduled to run. If there are no other runnable processes at that priority, the caller continues to run. The `sched_yield` function causes the process to yield for one cycle through the process list. That is, after a call to `sched_yield`, the target process goes to the end of its priority process list. If another process of equal priority is created after the call to `sched_yield`, the new process is queued up after the yielding process.

The `sched_yield` function is most useful with the first-in/first-out scheduling policy. Because the round-robin scheduling policy imposes a quantum on the amount of time a process runs, there is less need to use `sched_yield`. The round-robin quantum regulates the use of system resources through time-slicing. The `sched_yield` function is also useful when a process does not have permission to set its priority but still needs to yield execution.

2.5 Priority and Policy Example

Example 2–2 shows how the amount of time in a round-robin quantum can be determined, the current scheduling parameters saved, and a realtime priority set. Using the round-robin scheduling policy, the example loops through a test until a call to the `sched_yield` function causes the process to yield.

Example 2–2: Using Priority and Scheduling Functions

```
#include <unistd.h>
#include <time.h>
#include <sched.h>
#define LOOP_MAX 10000000
#define CHECK_STAT(stat, msg) \
    if (stat == -1) \
    { perror(msg); \
      exit(-1); \
    }

main()
{
    struct sched_param my_param;
    int    my_pid = 0;
    int    old_priority, old_policy;
    int    stat;

    struct timespec rr_interval;
    int    try_cnt, loop_cnt;
    volatile int tmp_nbr;

    /* Determine the round-robin quantum */

    stat = sched_rr_get_interval (my_pid, &rr_interval);
    CHECK_STAT(stat, "sched_rr_get_interval");
    printf("Round-robin quantum is %lu seconds, %ld nanoseconds\n",
           rr_interval.tv_sec, rr_interval.tv_nsec);

    /* Save the current scheduling parameters */

    old_policy = sched_getscheduler(my_pid);
    stat = sched_getparam(my_pid, &my_param);
    CHECK_STAT(stat, "sched_getparam - save old priority");
    old_priority = my_param.sched_priority;

    /* Set a realtime priority and round-robin */
    /* scheduling policy */

    my_param.sched_priority = SCHED_PRIO_RT_MIN;
    stat = sched_setscheduler(my_pid, SCHED_RR, &my_param);
    CHECK_STAT(stat, "sched_setscheduler - set rr priority");

    /* Try the test */

    for (try_cnt = 0; try_cnt < 10; try_cnt++)

        /* Perform some CPU-intensive operations */

        {for(loop_cnt = 0; loop_cnt < LOOP_MAX; loop_cnt++)
          {
            tmp_nbr+=loop_cnt;
          }
        }
    }
}
```

Example 2-2: Using Priority and Scheduling Functions (cont.)

```
        tmp_nbr--=loop_cnt;
    }

    printf("Completed test %d\n",try_cnt);
    sched_yield();
}

/* Lower priority and restore policy */
my_param.sched_priority = old_priority;
stat = sched_setscheduler(my_pid, old_policy, &my_param);
CHECK_STAT(stat, "sched_setscheduler - to old priority");
}
```

Shared Memory

Shared memory and memory-mapped files allow processes to communicate by incorporating data directly into process address space. Processes communicate by sharing portions of their address space. When one process writes to a location in the shared area, the data is immediately available to other processes sharing the area. Communication is fast because there is none of the overhead associated with system calls. Data movement is reduced because data is not copied into buffers.

A process manipulates its address space by mapping or removing portions of memory objects into the process address space. When multiple processes map the same memory object, they share access to the underlying data. Shared-memory functions allow you to open and unlink the shared-memory files.

This chapter includes the following sections:

- Memory Objects, Section 3.1
- Locking Shared Memory, Section 3.2
- Using Shared Memory with Semaphores, Section 3.3

3.1 Memory Objects

The memory-mapping and shared-memory functions allow you controlled access to shared memory so that the application can coordinate the use of shared address space.

When you use a shared, mapped file, the changes initiated by a single process or multiple processes are reflected back to the file. Other processes using the same path and opening the connection to the memory object have a shared mapping of the file. Use memory-mapping or file control functions to control usage and access. If the mappings allow it, data written into the file through the address space of one process appears in the address space of all processes mapping the same portion of the file.

Memory-mapped objects are persistent; their names and contents remain until all processes that have accessed the object unlink the file.

Shared-memory regions and memory-mapped files follow the same general usage, as follows:

1. Obtain a file descriptor with a call to the `open` or `shm_open` function.
2. Map the object using the file descriptor with a call to the `mmap` function.
3. Unmap the object with a call to the `munmap` function.
4. Close the object with a call to the `close` function.
5. Remove the shared-memory object with a call to the `shm_unlink` function or, optionally, remove a memory-mapped file with a call to the `unlink` function.

Often shared-memory objects are created and used only while an application is executing. Files, however, may need to be saved and reused each time the application is run. The `unlink` and `shm_unlink` functions remove (delete) the file and its contents. Therefore, if you need to save a shared file, close the file but do not unlink it.

You can use memory-mapped files without using shared memory, but this chapter assumes that you will want to use them together. The following functions are used to open and unlink shared memory:

Function	Description
<code>shm_open</code>	Opens a shared-memory object, returning a file descriptor
<code>shm_unlink</code>	Removes the name of the shared-memory object

Table 3–1 lists the functions for creating and controlling memory-mapped objects.

Table 3–1: Memory-Mapping Functions

Function	Description
<code>mmap</code>	Maps the memory object into memory
<code>mprotect</code>	Modifies protections of memory objects
<code>msync</code>	Synchronizes a memory-mapped object
<code>munmap</code>	Unmaps a previously mapped region

A memory object can be created and opened by a call to the `shm_open` function. Then the object can be mapped into process address space. File control functions allow you to control access permissions, such as read and write permission or the timing of a file update.

Data written to an object through the address space of one process is available to all processes that map the same region. Child processes inherit the address space and all mapped regions of the parent process. When the

object is opened, the child process can map it with the `mmap` function to establish a map reference. If the object is already mapped, the child process also inherits the mapped region.

Unrelated processes can also use the object, but they must first call the `open` or `shm_open` function (as appropriate) and then use the `mmap` function to establish a connection to the shared memory.

3.1.1 Opening a Shared-Memory Object

A process can create and open shared-memory regions early in the life of the application and then dynamically control access to the shared-memory object. Use the `shm_open` function to open (establish a connection to) a shared-memory object. After one process calls `shm_open` to create and name a shared memory object, each subsequent process that needs to access the shared memory object must call `shm_open` and specify the same name. The shared-memory object name can be either a string or a pathname.

The `shm_open` function provides a set of flags that prescribe the action of the function and define access modes to the shared-memory object. Shared-memory access is determined by the OR of the file status flags and access modes listed in Table 3–2.

Table 3–2: Status Flags and Access Modes for the `shm_open` Function

Flag	Description
<code>O_RDONLY</code>	Open for read access only
<code>O_RDWR</code>	Open for read and write access
<code>O_CREAT</code>	Create the shared-memory object, if it does not already exist
<code>O_EXCL</code>	Create an exclusive connection to a shared-memory object, when used with <code>O_CREAT</code>
<code>O_TRUNC</code>	Truncate to zero length

The first process to call the `shm_open` function should use the `O_CREAT` flag to create the shared-memory object, to set the object's user ID to that of the calling process, and to set the object's group ID to the effective group ID of the calling process. This establishes an environment whereby the calling process, all cooperating processes, and all child processes share the same effective group ID with the shared-memory object.

A process can create an exclusive connection to a shared-memory object by using the `O_CREAT` and `O_EXCL` flags. In this case, other processes attempting to create the shared-memory object at the same time will fail.

The *oflag* argument of the `shm_open` function requests specific actions from the `shm_open` code. For example, the following code creates an exclusive shared-memory object and opens it for read and write access:

```
fd = shm_open("all_mine", (O_CREAT|O_EXCL|O_RDWR), 0);
```

When a shared-memory object is created, its state and name (including all associated data) are persistent. Its state and name remain until the shared memory is unlinked with a call to the `shm_unlink` function and until all other references to the shared memory are gone.

Example 3–1 shows the code sequence to include shared-memory objects in an application.

Example 3–1: Including a Shared-Memory Object

```
#include <unistd.h>
#include <sys/types.h>
#include <sys/mman.h>
#include <fcntl.h>

main ()
{
    int md;
    int status;
    long pg_size;
    caddr_t virt_addr;

    /* Create shared-memory object */

    md = shm_open ("my_memory", O_CREAT|O_RDWR, 0);
    pg_size = sysconf(_SC_PAGE_SIZE);

    if((ftruncate(md, pg_size)) == -1){ /* Set the size */
        perror("ftruncate failure");
        exit();
    }

    /* Map one page */

    virt_addr = mmap(0, pg_size, PROT_WRITE, MAP_SHARED, md, 0);
    :
    status = munmap(virt_addr, pg_size); /* Unmap the page */
    status = close(md); /* Close file */
    status = shm_unlink("my_memory"); /* Unlink shared-memory object */
}
```

3.1.2 Opening Memory-Mapped Files

The `open` function points to the data you intend to use; the `mmap` function establishes how much of the data will be mapped and how it will be accessed. Use the same access permissions that you would normally use on any call to the `open` function. If you intend to read the file only, specify read permission only on the `open` function. If you intend to read and write to the file, open

the file with both read and write permission. After opening a file, call the `mmap` function to map the file into application address space.

When you have finished using a memory-mapped file, unmap the object by calling the `munmap` function, then close the object with the `close` function. Any memory locks resulting from a call to the `mlock` function associated with the address range are removed when the `munmap` function is called. The application could then remove the data file by calling the `unlink` function.

3.1.3 Mapping Memory-Mapped Files

The `mmap` function maps data from a file into memory. The parameters to the `mmap` function specify the starting address and length in bytes for the new region, access permissions, attributes of the mapped region, file descriptor, and an offset for the address. The `MAP_SHARED` flag indicates that the object can be accessed by other processes. A call to the `munmap` function unmaps the same region.

The address, length, and offset of the new mapped region should be a multiple of the page size returned by a call to the `sysconf(_SC_PAGE_SIZE)` function. If the length is not specified as a multiple of the page size returned by `sysconf`, then any reference to an address between the end of the region and the end of the page containing the end of the region is undefined. Note, too, that the offset must be aligned and sized properly. Other size parameters may also need to be aligned, depending on whether you specified `MAP_FIXED`.

The `prot` argument determines the type of access permitted to the data being mapped. As with other file permissions, the argument is constructed from the bitwise inclusive-OR of one or more of the following flags:

Flag	Description
<code>PROT_READ</code>	Data can be read
<code>PROT_WRITE</code>	Data can be written
<code>PROT_EXEC</code>	Data can be executed
<code>PROT_NONE</code>	Data cannot be accessed

Whatever protection options you specify as the `prot` argument, the file descriptor must have been opened with at least read access. If you specify `PROT_WRITE`, the file descriptor must have been opened with write permission, unless `MAP_PRIVATE` is specified in the `flags` parameter.

The *flags* parameter provides additional information about how to handle mapped data. The *flags* parameter uses one of the following flags:

Flag	Description
MAP_SHARED	Share changes
MAP_PRIVATE	Changes are private
MAP_FIXED	Interpret the <i>addr</i> argument exactly

MAP_SHARED, MAP_PRIVATE, and MAP_FIXED are the only flags specified by POSIX 1003.1b. The MAP_ANONYMOUS, MAP_FILE, and MAP_VARIABLE flags are not part of the POSIX 1003.1b interface, but are supported by Tru64 UNIX. For more information on these flags, see the reference page for the `mmap` function.

The MAP_FIXED flag controls the location of the new region. No matter what flag is specified, a mapped region is never placed at address zero or at an address where it would overlap with an existing region. When multiple processes use the mapped object, the call to the `mmap` function can specify the address, and subsequent calls to the `mmap` function can use MAP_FIXED to request the same address in other processes. Cooperating processes must also use care to communicate this address among themselves. If you specify MAP_FIXED and for some reason the system is unable to place the new region at the specified address, the call fails.

The MAP_SHARED and MAP_PRIVATE flags control the visibility of modifications to the mapped file or shared-memory region. The MAP_SHARED flag specifies that modifications made to the mapped file region are immediately visible to other processes that are mapped to the same region and also use the MAP_SHARED flag. Changes to the region are written to the file.

The MAP_PRIVATE flag specifies that modifications to the region are not visible to other processes, whether or not the other process used MAP_SHARED or MAP_PRIVATE. Modifications to the region are not written to the file.

Access to the mapped region or shared-memory region is controlled by the flags specified in the *prot* parameter. These flags function much the way they do for any other file descriptor: access is specified as the OR of read, write, and execute, with an additional flag to indicate that data cannot be accessed. The `mprotect` function changes the protection on a specified address range. That range should be within the range specified on the call to the `mmap` function. Protection flags can interact with the MAP_SHARED, MAP_PRIVATE, and MAP_FIXED flags. See the online reference pages for `mmap` and `mprotect` for specifics.

When you unmap a mapped region or shared memory, be sure to specify an address and length in the range of the parameters used in the call to the `mmap` function.

3.1.4 Using File Functions

Shared-memory objects and memory-mapped files use the file system name space to map global names for memory objects. As such, POSIX.1 file control functions can be used on shared-memory objects and memory-mapped files, just as these functions are used for any other file control. Table 3–3 lists some of the file functions available.

Table 3–3: File Functions Used with Memory-Mapped Files

Function	Description
<code>fchmod</code>	Changes permissions on files
<code>fcntl</code>	Controls operations on files and memory objects
<code>flock</code>	Locks a file as shared or exclusive
<code>fstat</code>	Provides information about file status
<code>ftruncate</code>	Sets the length of a memory object

You can use the `fchmod` function to change access permissions on a file. If you are the owner of the file or have `superuser` privileges, you can use the `fchmod` function to set the access mode and grant or deny permissions to the group, user, or others. Use the `fcntl` function to retrieve and set the value of the close-on-exec flag, status flags, and access modes, or to set and clear locks. Using the `fcntl` function, you can override locks set with the `flock` function. The `fstat` function returns information about the file, such as access permissions, link references, and type and size of file. You can use this function to obtain information for use in subsequent calls to other file control functions.

You can apply a lock to a shared-memory object or mapped file by using a variety of file control functions, including `fcntl` and `flock`. Both these functions apply a lock on an open file, but they differ in how the lock is performed and in the range of other tasks they can perform.

Note that the locks applied with these functions are for files, not file descriptors. That means that under most circumstances, file locks are not inherited across a fork. If a parent process holds a lock on a file and the parent process forks, the child process will inherit the file descriptor but not the lock on the file. A file descriptor that is duplicated with one of the `dup` functions does not inherit the lock.

The `fcntl` function is used for general file control. In addition to locking and unlocking an open file, the `fcntl` function is used to return or set status, return a new file descriptor, or return process IDs.

The `flock` function is limited to applying locks on a file and is not used for general file control.

See the online reference pages for more information on using file control functions.

3.1.5 Controlling Memory-Mapped Files

Several functions let you manipulate and control access to memory-mapped files and shared memory. These functions include `msync` and `mprotect`. Using these functions, you can modify access protections and synchronize writing to a mapped file.

The `msync` function synchronizes the caching operations of a memory-mapped file or shared-memory region. Using this function, you can ensure that modified pages in the mapped region are transferred to the file's underlying storage device, or you can control the visibility of modifications with respect to file system operations.

Flags used on the `msync` function specify whether the cache flush is to be synchronous (`MS_SYNC`), asynchronous (`MS_ASYNC`), or invalidated (`MS_INVALIDATE`). You can specify either the `MS_SYNC` or `MS_ASYNC` flag, but not both.

When you use the `MS_SYNC` flag, the `msync` function does not return until all write operations are complete and the integrity of the data is assured. All previous modifications to the mapped region are visible to processes using the `read` parameter.

When you use the `MS_ASYNC` flag, the `msync` function returns immediately after all of the write operations are scheduled.

When you invalidate previously cached copies of the pages, other users are required to get new copies of the pages from the file system the next time they are referenced. In this way, previous modifications to the file made with the `write` function are visible to the mapped region.

When using the `msync` function, you should use pages within the same address and length specified in the call to the `mmap` function to ensure that the entire mapped region is synchronized.

The `mprotect` function changes the access protection of a mapped file or shared-memory region. When using the `mprotect` function, use pages within the same address and length specified in the call to the `mmap` function.

Protection flags used on the `mprotect` function are the same as those used on the `mmap` function.

Note that use of the `mprotect` function modifies access only to the specified region. If the access protection of some pages within the range were changed by some other means, the call to the `mprotect` function may fail.

3.1.6 Removing Shared Memory

When a process has finished using a shared-memory segment, you can remove the name from the file system namespace with a call to the `shm_unlink` function, as shown in the following example:

```
status = shm_unlink("my_file");
```

The `shm_unlink` function unlinks the shared-memory object. Memory objects are persistent, which means the contents remain until all references have been unmapped and the shared-memory object has been unlinked with a call to the `shm_unlink` function.

Every process using the shared memory should perform the cleanup tasks of unmapping and closing.

3.2 Locking Shared Memory

You can lock and unlock a shared-memory segment into physical memory to eliminate paging. The `MCL_FUTURE` argument to the `mlockall` function causes new shared-memory regions to be locked automatically. See Chapter 4 for more information on using the `mlock` and `mlockall` functions.

Example 3–2 shows how to map a file into the address space of the process and lock it into memory. When the file is unmapped, the lock on the address is removed.

Example 3–2: Locking a Memory Object

```
/* This program locks the virtual memory address that */
/* was returned from the mmap() function into memory. */

#include <unistd.h>
#include <sys/types.h>
#include <stdio.h>
#include <sys/file.h>
#include <sys/mman.h>
#include <sys/stat.h>
#include <errno.h>

main()
{
    int fd;
    caddr_t pg_addr;

    int size = 5000;
```

Example 3–2: Locking a Memory Object (cont.)

```
int mode = S_IRWXO|S_IRWXG|S_IRWXU;

    /* Create a file */

fd = shm_open("example", O_RDWR|O_CREAT, mode);
if (fd < 0){
    perror("open error ");
    exit();
}

    /* Set the size */

if ((ftruncate(fd, size)) == -1){
    perror("ftruncate failure");
    exit();
}

    /* Map the file into the address space of the process */
pg_addr = (caddr_t) mmap(0, size, PROT_READ|PROT_WRITE|PROT_EXEC, MAP_SHARED,
                        fd, 0);

if (pg_addr == (caddr_t) -1){
    perror("mmap failure");
    exit();
}

    /* Lock the mapped region into memory */

if (mlock(pg_addr, size) != 0){
    perror("mlock failure");
    exit();
}

    /* Unmap of the address region removes the memory lock */
    /* established on the address region by this process */

if (munmap(pg_addr, size) < 0)
    perror("unmap error");
close(fd);
shm_unlink("example");
exit();
}
```

You can also lock the file so that other processes cannot use it, making it an exclusive resource for a process and its descendants. See Section 3.1.4 for more information on locking files.

3.3 Using Shared Memory with Semaphores

When using shared memory, processes map the same area of memory into their address space. This allows for fast interprocess communication because the data is immediately available to any other process using the same shared memory. If your application has multiple processes contending for the same shared-memory resource, you must coordinate access.

Semaphores provide an easy means of regulating access to a memory object and determining if the memory resource is available. Typically, an application will begin execution at a nonrealtime priority level, then perform the following tasks when using mapped or shared-memory objects and semaphores:

1. Create the shared-memory object.
2. Determine the address and map the region into memory.
3. Create a semaphore.
4. Adjust the process priority and scheduling policy as needed.
5. Before a read or write operation, lock (reserve) the semaphore.
6. After a read or write operation, unlock (release) the semaphore.

A process can lock the semaphore associated with a mapped or shared-memory object to indicate that the process requires exclusive access. Cooperating processes normally wait until the semaphore is unlocked before accessing a region.

See Chapter 9 for information on semaphores and for an example using semaphores and shared memory.

Memory Locking

Memory management facilities ensure that processes have effective and equitable access to memory resources. The operating system maps and controls the relationship between physical memory and the virtual address space of a process. These activities are, for the most part, transparent to the user and controlled by the operating system. However, for many realtime applications you may need to make more efficient use of system resources by explicitly controlling virtual memory usage.

Memory locking is one way to ensure that a process stays in main memory and is exempt from paging. In a realtime environment, a system must be able to guarantee that it will lock a process in memory to reduce latency for data access, instruction fetches, buffer passing between processes, and so forth. Locking a process's address space in memory helps ensure that the application's response time satisfies realtime requirements. As a general rule, time-critical processes should be locked into memory.

This chapter includes the following sections:

- Memory Management, Section 4.1
- Memory-Locking and Unlocking Functions, Section 4.2

4.1 Memory Management

In a multiprogramming environment, it is essential for the operating system to share available memory effectively among processes. Memory management policies are directly related to the amount of memory required to execute those processes. Memory management algorithms are designed to optimize the number of runnable processes in primary memory while avoiding conflicts that adversely affect system performance. If a process is to remain in memory, the kernel must allocate adequate units of memory. If only part of a process needs to be in primary memory at any given time, then memory management can work together with the scheduler to make optimal use of resources.

Virtual address space is divided into fixed-sized units, called pages. Each process usually occupies a number of pages, which are independently moved in and out of primary memory as the process executes. Normally, a subset of a process's pages resides in primary memory when the process is executing.

Because the amount of primary memory available is finite, paging is often done at the expense of some pages; to move pages in, others must be moved out. If the page that is going to be replaced is modified during execution, that page is written to a file area. That page is brought back into primary memory as needed and execution is delayed while the kernel retrieves the page.

Paging is generally transparent to the current process. The amount of paging can be decreased by increasing the size of physical memory or by locking the pages into memory. However, if the process is very large or if pages are frequently being paged in and out, the system overhead required for paging may decrease efficiency.

For realtime applications, having adequate memory is more important than for nonrealtime applications. Realtime applications must ensure that processes are locked into memory and that there is an adequate amount of memory available for both realtime processes and the system. Latency due to paging is often unacceptable for critical realtime tasks.

4.2 Memory-Locking and Unlocking Functions

Realtime application developers should consider memory locking as a required part of program initialization. Many realtime applications remain locked for the duration of execution, but some applications may need to lock and unlock memory as the application runs. Tru64 UNIX memory-locking functions let you lock the entire process at the time of the function call and throughout the life of the application, or selectively lock and unlock memory as needed.

Memory locking applies to a process's address space. Only the pages mapped into a process's address space can be locked into memory. When the process exits, pages are removed from the address space and the locks are removed.

Two functions, `mlock` and `mlockall`, are used to lock memory. The `mlock` function allows the calling process to lock a selected region of address space. The `mlockall` function causes all of a process's address space to be locked and the process to be made unswappable. Locked memory remains locked until the process exits or until the application calls the corresponding `munlock` or `munlockall` function.

Memory locks are not inherited across a `fork`, and all memory locks associated with a process are unlocked on a call to the `exec` function or when the process terminates.

For most realtime applications, the following control flow minimizes program complexity and achieves greater determinism by locking the entire address into memory:

1. Perform nonrealtime tasks, such as opening files or allocating memory.

2. Lock the address space of the process using the `mlockall` function.
3. Perform realtime tasks.
4. Release resources and exit.

The memory-locking functions are as follows:

Function	Description
<code>mlock</code>	Locks a specified region of a process's address space
<code>mlockall</code>	Locks all of a process's address space
<code>munlock</code>	Unlocks a specified region of a process's address space
<code>munlockall</code>	Unlocks all of a process's address space

You must have `superuser` privileges to call the memory-locking functions.

4.2.1 Locking and Unlocking a Specified Region

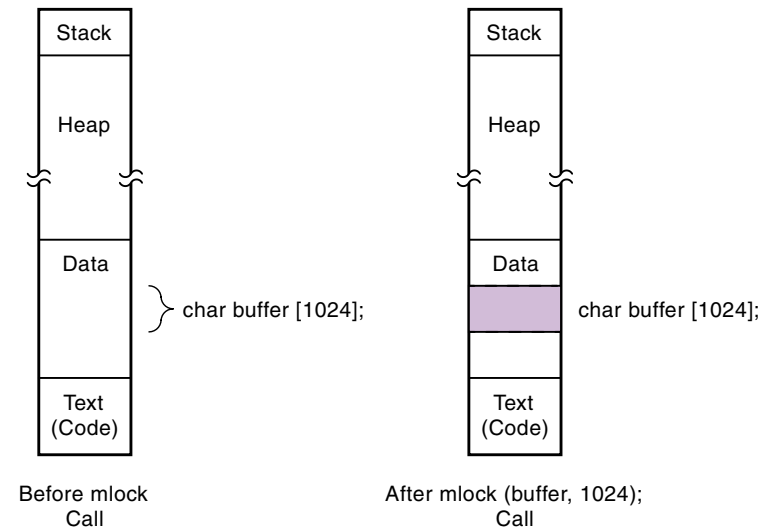
The `mlock` function locks a preallocated specified region. The address and size arguments of the `mlock` function determine the boundaries of the preallocated region. On a successful call to `mlock`, the specified region becomes locked. Memory is locked by the system according to system-defined pages. If the address and size arguments specify an area smaller than a page, the kernel rounds up the amount of locked memory to the next page. The `mlock` function locks all pages containing any part of the requested range, which can result in locked addresses beyond the requested range.

Repeated calls to `mlock` could request more physical memory than is available; in such cases, subsequent processes must wait for locked memory to become available. Realtime applications often cannot tolerate the latency introduced when a process must wait for lockable space to become available. Preallocating and locking regions is recommended for realtime applications.

If the process requests more locked memory than will ever be available in the system, an error is returned.

Figure 4–1 illustrates memory allocation before and after a call to the `mlock` function. Prior to the call to the `mlock` function, buffer space in the data area is not locked and is therefore subject to paging. After the call to the `mlock` function, the buffer space cannot be paged out of memory.

Figure 4–1: Memory Allocation with mlock



□ = Pageable

■ = Locked in physical memory (not pageable)

MLO-007319

The `mlock` function locks all pages defined by the range `addr` to `addr+len-1` (inclusive). The area locked is the same as if the `len` argument were rounded up to a multiple of the next page size before decrementing by 1. The address must be on a page boundary, and all pages mapped by the specified range are locked. Therefore, you must determine how far the return address is from a page boundary and align it before making a call to the `mlock` function.

Use the `sysconf(_SC_PAGE_SIZE)` function to determine the page size. The size of a page can vary from system to system. To ensure portability, call the `sysconf` function as part of your application or profile when writing applications that use the memory-locking functions. The `sys/mman.h` header file defines the maximum amount of memory that can be locked. Use the `getrlimit` function to determine the amount of total memory.

Exercise caution when you lock memory; if your processes require a large amount of memory and your application locks memory as it executes, your application may take resources away from other processes. In addition, you could attempt to lock more virtual pages than can be contained in physical memory.

Locked space is automatically unlocked when the process exits, but you can also explicitly unlock space. The `munlock` function unlocks the specified

address range regardless of the number of times the `mlock` function was called. In other words, you can lock address ranges over multiple calls to the `mlock` function, but can remove the locks with a single call to the `munlock` function. Space locked with a call to the `mlock` function must be unlocked with a corresponding call to the `munlock` function.

Example 4–1 shows how to lock and unlock memory segments. Each user-written function determines page size, adjusts boundaries, and then either locks or unlocks the segment.

Example 4–1: Aligning and Locking a Memory Segment

```
#include <unistd.h>      /* Support all standards */
#include <sys/mman.h>    /* Memory-locking functions */

#define DATA_SIZE 2048

lock_memory(char *addr,
             size_t size)
{
    unsigned long page_offset, page_size;

    page_size = sysconf(_SC_PAGE_SIZE);
    page_offset = (unsigned long) addr % page_size;

    addr -= page_offset; /* Adjust addr to page boundary */
    size += page_offset; /* Adjust size with page_offset */

    return ( mlock(addr, size) ); /* Lock the memory */
}

unlock_memory(char *addr,
              size_t size)
{
    unsigned long page_offset, page_size;

    page_size = sysconf(_SC_PAGE_SIZE);
    page_offset = (unsigned long) addr % page_size;

    addr -= page_offset; /* Adjust addr to page boundary */
    size += page_offset; /* Adjust size with page_offset */

    return ( munlock(addr, size) ); /* Unlock the memory */
}

main()
{
    char data[DATA_SIZE];

    if ( lock_memory(data, DATA_SIZE) == -1 )
```

Example 4–1: Aligning and Locking a Memory Segment (cont.)

```
    perror("lock_memory");

    /* Do work here */

    if ( unlock_memory(data, DATA_SIZE) == -1 )
        perror("unlock_memory");
}
```

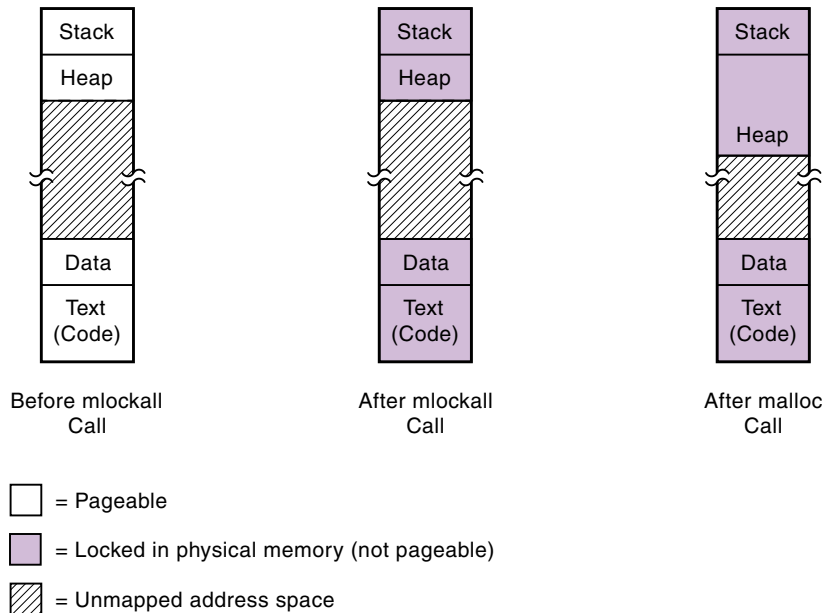
4.2.2 Locking and Unlocking an Entire Process Space

The `mlockall` function locks all of the pages mapped by a process's address space. On a successful call to `mlockall`, the specified process becomes locked, memory-resident, and unswappable. The `mlockall` function takes two flags, `MCL_CURRENT` and `MCL_FUTURE`, which determine whether the pages to be locked are those currently mapped, or if pages mapped in the future are to be locked. You must specify at least one flag for the `mlockall` function to lock pages. If you specify both flags, the address space to be locked is constructed from the logical OR of the two flags.

If you specify `MCL_CURRENT` only, all currently mapped pages of the process's address space are memory-resident and locked. Subsequent growth in any area of the specified region is not locked into memory. If you specify the `MCL_FUTURE` flag only, all future pages are locked in memory. If you specify both `MCL_CURRENT` and `MCL_FUTURE`, then the current pages are locked and subsequent growth is automatically locked into memory.

Figure 4–2 shows memory allocation before and after a call to the `mlockall` function with both `MCL_CURRENT` and `MCL_FUTURE` flags. Prior to the call to the `mlockall` function, space is not locked and is therefore subject to paging. After a call to the `mlockall` function, which specifies the `MCL_CURRENT` and `MCL_FUTURE` flags, all memory used by the process, both currently and in the future, is locked into memory. The call to the `malloc` function increases the amount of memory locked for the process.

Figure 4–2: Memory Allocation with mlockall



MLO-010124

The `munlockall` function unlocks all pages mapped by a call to the `mlockall` function, even if the `MCL_FUTURE` flag was specified on the call, and makes the specified process swappable. The call to the `munlockall` function cancels the `MCL_FUTURE` flag. If you want additional locking later, you must call the memory-locking functions again.

Example 4–2 illustrates how the `mlockall` function might be used to lock current and future address space.

Example 4–2: Using the mlockall Function

```
#include <unistd.h>      /* Support all standards */
#include <stdlib.h>      /* malloc support */
#include <sys/mman.h>    /* Memory-locking functions */

#define BUFFER 2048

main()
{
    void *p[3]; /* Array of 3 pointers to void */

    p[0] = malloc(BUFFER);

    /* Currently no memory is locked */
```

Example 4–2: Using the mlockall Function (cont.)

```
if ( mlockall(MCL_CURRENT) == -1 )
    perror("mlockall:1");

    /* All currently allocated memory is locked */

p[1] = malloc(BUFFER);

    /* All memory but data pointed to by p[1] is locked */

if ( munlockall() == -1 )
    perror("munlockall:1");

    /* No memory is now locked */

if ( mlockall(MCL_FUTURE) == -1 )
    perror("mlockall:2");

    /* Only memory allocated in the future */
    /* will be locked */

p[2] = malloc(BUFFER);

    /* Only data pointed to by data[2] is locked */

if ( mlockall(MCL_CURRENT|MCL_FUTURE) == -1 )
    perror("mlockall:3");

    /* All memory currently allocated and all memory that */
    /* gets allocated in the future will be locked */
}
```

5

Signals

The UNIX operating system uses signals as a means of notifying a process that some event, often unrelated to the process's current activity, has occurred that requires the process's attention. Signals are delivered to a process asynchronously; a process cannot predict when a signal might arrive.

This chapter includes the following sections:

- Overview of Signals, Section 5.1
- POSIX Signal Functions, Section 5.2
- Signal-Handling Basics, Section 5.3
- Realtime Signal Handling, Section 5.4

5.1 Overview of Signals

Signals originate from a number of sources:

- An exception, such as a divide-by-zero or segmentation violation, may be detected by hardware, causing the UNIX kernel to generate an appropriate signal (such as SIGFPE or SIGSEGV) and send it to the current process.
- A user may press certain terminal keys, such as Ctrl/C, to control the behavior of the currently running program. This causes the terminal driver program to send a signal (such as SIGINT) to the user-level process in which the program is running. (To see which signals are mapped to keys on your keyboard, issue the command `stty everything`. Signals sent from a keyboard are received by all processes in the process group currently associated with the terminal.)
- One user-level process may send a signal to another process. Traditionally, it does this using the `kill` function, although POSIX 1003.1b provides the `sigqueue` function for this purpose.
- A process may request a signal from the operating system when a timer expires, an asynchronous I/O operation completes, or a message arrives at an empty message queue.

The signal interface is also a traditional form of interprocess communication. Multitasking applications in particular take advantage of signals as a means of allowing components to coordinate activities across a number of processes.

Because of the asynchronous nature of signals, a process can perform useful work while waiting for a significant event (for instance, it does not need to wait on a semaphore) and, when the event occurs, the process is notified immediately.

A process can specify what to do when it receives a signal. It can:

- Ignore the signal completely
- Handle the signal by establishing a function that is called whenever a particular signal is delivered
- Block the signal until it is able to deal with it. Typically the blocked signal has an established handler

An application can alternatively accept the default consequences of the delivery of a specific signal. These consequences vary from signal to signal, but can result in process termination, the process dumping core, the signal being ignored, or the process being restarted or continued. The default action of most signals is to terminate the process. If sudden process termination for the wide variety of conditions that cause signals is not desirable, an application should be prepared to deal with signals properly.

5.2 POSIX Signal Functions

POSIX 1003.1 standardized the reliable signal functions developed under 4.3BSD and SVR3. Table 5–1 lists the POSIX 1003.1 signal functions.

Table 5–1: POSIX 1003.1 Signal Functions

Function	Description
<code>kill</code>	Sends a signal to a process or a group of processes
<code>sigaction</code>	Specifies the action a process takes when a particular signal is delivered
<code>sigaddset</code>	Adds a signal to a signal set
<code>sigdelset</code>	Removes a signal from a signal set
<code>sigemptyset</code>	Initializes a signal set such that all signals are excluded
<code>sigfillset</code>	Initializes a signal set such that all signals are included
<code>sigismember</code>	Tests whether a signal is a member of a signal set
<code>sigpending</code>	Returns a signal set that represents those signals that are blocked from delivery to the process but are pending
<code>sigprocmask</code>	Sets the process's current blocked signal mask
<code>sigsuspend</code>	Replaces the process's current blocked signal mask, waits for a signal, and, upon its delivery, calls the handler established for the signal and returns

POSIX 1003.1b extended the POSIX 1003.1 definition to include better support for signals in realtime environments. Table 5–2 lists the POSIX 1003.1b signal functions. A realtime application uses the `sigqueue` function instead of the `kill` function. It may also use the `sigwaitinfo` or `sigtimedwait` function instead of the `sigsuspend` function.

Table 5–2: POSIX 1003.1b Signal Functions

Function	Description
<code>sigqueue</code>	Sends a signal, plus identifying information, to a process
<code>sigtimedwait</code>	Waits for a signal for the specified amount of time and, if the signal is delivered within that time, returns the signal number and any identifying information the signaling process provided
<code>sigwaitinfo</code>	Waits for a signal and, upon its delivery, returns the signal number and any identifying information the signaling process provided

To better explain the use of the POSIX 1003.1b extensions by realtime applications, this chapter first focuses on the basics of POSIX 1003.1 signal handling.

5.3 Signal-Handling Basics

Example 5–1 shows the code for a process that creates a child that, in turn, creates and registers a signal handler, `catchit`.

Example 5–1: Sending a Signal to Another Process

```
#include <unistd.h>
#include <signal.h>
#include <stdio.h>
#include <sys/types.h>
#include <sys/wait.h>

#define SIG_STOP_CHILD SIGUSR1 [1]

main()
{
    pid_t pid;
    sigset_t newmask, oldmask;

    if ((pid = fork()) == 0) { [2] /*Child*/
        struct sigaction action; [3]
        void catchit();

        sigemptyset(&newmask); [4]
        sigaddset(&newmask, SIG_STOP_CHILD); [5]
        sigprocmask(SIG_BLOCK, &newmask, &oldmask); [6]

        action.sa_flags = 0; [7]
        action.sa_handler = catchit;

        if (sigaction(SIG_STOP_CHILD, &action, NULL) == -1) { [8]
            perror("sigusr: sigaction");
        }
    }
}
```

Example 5–1: Sending a Signal to Another Process (cont.)

```
        _exit(1);
    }
    sigsuspend(&oldmask); 9
}
else { /* Parent */
    int stat;
    sleep(1); 10
    kill(pid, SIG_STOP_CHILD); 11
    pid = wait(&stat); 12
    printf("Child exit status = %d\n", WEXITSTATUS(stat));
    _exit(0);
}
}
void catchit(int signo) 13
{
    printf("Signal %d received from parent\n", signo);
    _exit(0);
}
```

In this example:

- 1** The program defines one of the two signals POSIX 1003.1 reserves for application-specific purposes (SIGUSR1) to be a SIG_STOP_CHILD signal.
- 2** The main program forks, creating a child process.
- 3** The child process declares a `sigaction` structure named `action` and a signal handler named `catchit`.
- 4** The child process initializes the `newmask sigset_t` structure to zero.
- 5** The child process calls the `sigaddset` function to set the bit corresponding to the SIG_STOP_CHILD signal in the `newmask sigset_t` structure.
- 6** The child process specifies the `newmask sigset_t` structure to a `sigprocmask` function call, thus blocking the SIG_STOP_CHILD signal.
- 7** The child process fills in the `sigaction` structure: first by calling the `sigemptyset` function to initialize the signal set to exclude all signals, then clearing the `sa_flags` member and moving the address of the `catchit` signal handler into the `sa_handler` member.
- 8** The child process calls the `sigaction` function to set up the `catchit` signal handler so that it is called when the process receives the SIG_STOP_CHILD signal.
- 9** The child process calls the `sigsuspend` function. As a result, the SIG_STOP_CHILD signal is unblocked and the child process pauses

until the `SIG_STOP_CHILD` signal is delivered (and causes its `catchit` signal handler to run).

- 10 The parent process sleeps for 1 second, allowing the child to run.
- 11 The parent process calls the `kill` function to send the `SIG_STOP_CHILD` signal to the child process.
- 12 It waits for the child process to terminate, printing the child's exit status when it does. Before this can occur, however, the child's `catchit` signal handler must run.
- 13 The `catchit` signal handler prints a message that acknowledges that the child received and handled the `SIG_STOP_CHILD` signal.

As in Example 5–1, under POSIX 1003.1, a process sends a signal to another process using the `kill` function. The first argument to the `kill` function is the process ID of the receiving process, or one of the following special values:

Value	Description
0	Sends the signal to all processes with the same process group ID as that of the sender
-1	Sends the signal to all processes with a process group ID equal to the effective user ID of the sender

The second argument to the `kill` function is the name or number of the signal to be sent.

The permissions checking allowed by the first argument helps ensure that signals cannot be sent that arbitrarily or accidentally terminate any process on the system. Inasmuch as a process must have the identical user ID or effective user ID as the process it is signaling, it is often the case that it has spawned these processes or explicitly called the `setuid` function to set their effective user IDs. See the `kill(2)` reference page for additional discussion of the `kill` function.

The full set of signals supported by the Tru64 UNIX operating system is defined in `signal.h` and discussed in the `signal(4)` reference page. POSIX 1003.1 and POSIX 1003.1b require a subset of these signals; this subset is listed in Table 5–3.

Table 5–3: POSIX Signals

Signal	Description	Default Action
SIGABRT	Abort process (see <code>abort(3)</code>)	Process termination and core dump
SIGALRM	Alarm clock expiration	Process termination

Table 5–3: POSIX Signals (cont.)

Signal	Description	Default Action
SIGFPE	Arithmetic exception (such as an integer divide-by-zero operation or a floating-point exception)	Process termination and core dump
SIGHUP	Hangup	Process termination
SIGILL	Invalid instruction	Process termination and core dump
SIGINT	Interrupt	Process termination
SIGKILL	Kill (cannot be caught, blocked, or ignored)	Process termination
SIGPIPE	Write on a pipe that has no reading process	Process termination
SIGQUIT	Quit	Process termination and core dump
SIGSEGV	Segmentation (memory access) violation	Process termination and core dump
SIGTERM	Software termination	Process termination
SIGUSR1	Application-defined	Process termination
SIGUSR2	Application-defined	Process termination
SIGCHLD	Child termination (sent to parent)	Ignored
SIGSTOP	Stop (cannot be caught, blocked, or ignored)	Process is stopped (suspended)
SIGTSTP	Interactive stop	Process is stopped (suspended)
SIGCONT	Continue if stopped (cannot be caught, blocked, or ignored)	Process is restarted (resumed)
SIGTTOU	Background write attempted to controlling terminal	Process is stopped (suspended)
SIGTTIN	Background read attempted from controlling terminal	Process is stopped (suspended)
SIGRT-MIN–SIGRT-MAX	Additional application-defined signals provided by POSIX 1003.1b	Process termination

5.3.1 Specifying a Signal Action

The `sigaction` function allows a process to specify the action to be taken for a given signal. When you set a signal-handling action with a call to the

`sigaction` function, the action remains set until you explicitly reset it with another call to the `sigaction` function.

The first argument to the `sigaction` function specifies the signal for which the action is to be defined. The second and third arguments, unless specified as `NULL`, specify `sigaction` structures:

- The second argument is a `sigaction` structure that specifies the action to be taken when the process receives the signal specified in the first argument. If this argument is specified as `NULL`, signal handling is unchanged by the call to the `sigaction` function, but the call can be used to inquire about the current handling of a specified signal.
- The third argument is a `sigaction` structure that receives from the `sigaction` function the action that was previously established for the signal. An application typically specifies this argument so that it can use it in a subsequent call to the `sigaction` function that restores the previous signal state. This allows you to activate handlers only when they are needed, and deactivate them when they may interfere with other handlers set up elsewhere for the same signal.

The `sigaction` structure has two different formats, defined in `signal.h`, distinguished by whether the `sa_handler` member specifies a traditional POSIX 1003.1 signal handler or a POSIX 1003.1b realtime signal handler:

- For POSIX 1003.1 signal handling:

```
struct sigaction (  
    void (*sa_handler) (int);  
    sigset_t sa_mask;  
    int sa_flags;  
};
```

- For POSIX 1003.1b signal handling:

```
struct sigaction (  
    void (*sa_sigaction) (int, siginfo_t *, void *);  
    sigset_t sa_mask;  
    int sa_flags;  
};
```

The remainder of this section focuses on the definition of a traditional signal handler in the `sa_handler` member of the `sigaction` structure. Note that, for realtime signals (those defined as `SIGRTMIN` through `SIGRTMAX`), you define the `sa_sigaction` member, not the `sa_handler` member. Section 5.4 describes the definition of a realtime signal handler in the `sa_sigaction` member.

Use the *sa_handler* member of the *sigaction* structure to identify the action associated with a specific signal, as follows:

- To ignore the signal, specify `SIG_IGN`. In this case, the signal is never delivered to the process. Note that you cannot ignore the `SIGKILL` or `SIGSTOP` signals.
- To accept the default action for a signal, specify `SIG_DFL`.
- To handle the signal, specify a pointer to a signal-handling function. When the signal handler is called, it is passed a single integer argument, the number of the signal. The handler is executed, passes control back to the process at the point where the signal was received, and execution continues. Handlers can also send error messages, save information about the status of the process when the signal was received, or transfer control to some other point in the application.

The *sa_mask* field identifies the additional set of signals to be added to the process's current signal mask before the signal handler is actually called. This signal mask, plus the current signal, is active while the process's signal handler is running (unless modified by another call to the *sigaction* function or a call to the *sigprocmask* or *sigsuspend* functions). If the signal handler completes successfully, the original mask is restored.

The *sa_flags* member specifies various flags that direct the operating system's dispatching of a signal. For a complete listing of these flags and a description of their meaning, see the *sigaction(2)* reference page.

5.3.2 Setting Signal Masks and Blocking Signals

A process blocks a signal to protect certain sections of code from receiving signals when the code cannot be interrupted. Unlike ignoring a signal, blocking a signal postpones the delivery of the signal until the process is ready to handle it. A blocked signal is marked as pending when it arrives and is handled as soon as the block is released. Under POSIX 1003.1, multiple occurrences of the same signal are not saved; that is, if a signal is generated again while the signal is already pending, only the one instance of the signal is delivered. The signal queuing capabilities introduced in POSIX 1003.1b allow multiple occurrences of the same signal to be preserved and distinguished (see Section 5.4).

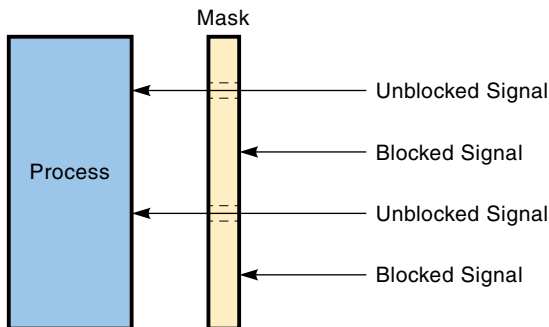
Each process has an associated signal mask that determines which signals are delivered to it and which signals are blocked from delivery. (A child process inherits its parent's signal mask when the parent forks.) Each bit represents a signal, as defined in the *signal.h* header file. For instance, if the *n*th bit in the mask is set, then signal *n* is blocked.

Note

As described in Chapter 2, the Tru64 UNIX operating system actually schedules threads, not processes. For multithreaded applications, a signal can be delivered to a thread using the `pthread_kill` function, and a thread signal mask can be created using the `pthread_sigmask` function. These functions are provided in the POSIX Threads 1003.1c library (`libpthread.so`). See the appropriate reference pages and the *Guide to the POSIX Threads Library* for a discussion of using signals with multithreaded applications.

Figure 5–1 represents a mask blocking two signals. In this illustration, two signal bits are set, blocking signal delivery for the specified signals.

Figure 5–1: Signal Mask That Blocks Two Signals



MLO-006770

The `sigprocmask` function lets you replace or alter the signal mask of the calling process; the value of the first argument to this function determines the action taken, as follows:

Value	Description
<code>SIG_BLOCK</code>	Adds the set of signals specified in the second argument to the process's signal mask
<code>SIG_UNBLOCK</code>	Subtracts the set of signals specified in the second argument from the process's signal mask
<code>SIG_SETMASK</code>	Replaces the process's signal mask with the set of signals specified in the third argument

The third argument to the `sigprocmask` function is a `sigset_t` structure that receives the process's previous signal mask.

Prior to calling the `sigprocmask` function, you use either the `sigemptyset` or `sigfillset` function to create the signal set (a `sigset_t` structure) that you provide as its second argument. The `sigemptyset` function creates a signal set with no signals in it. The `sigfillset` function creates a signal set containing all signals. You adjust the signal set you create with one of these functions by calling the `sigaddset` and `sigdelset` functions. You can determine whether a given signal is a member of a signal set by using the `sigismember` function.

The `sigprocmask` function is also useful when you want to set a mask but are uncertain as to which signals are still blocked. You can retrieve the current signal mask by calling `sigprocmask(SIG_BLOCK, NULL, &oldmask)`.

When a signal is sent, it is delivered, unless delivery is blocked. When blocked, the signal is marked pending. Pending signals are delivered immediately after they are unblocked. To determine whether a blocked signal is pending, use the `sigpending` function.

5.3.3 Suspending a Process and Waiting for a Signal

The `sigsuspend` function replaces a process's signal mask with the mask specified as its only argument and waits for the delivery of an unblocked signal. If the signal delivery causes a signal handler to run, the `sigsuspend` function returns after the signal handler completes, having restored the process's signal mask to its previous state. If the signal delivery causes process termination, the `sigsuspend` function does not return.

Because `sigsuspend` sets the signal mask and waits for an unblocked signal in one atomic operation, the calling process does not miss delivery of a signal that may occur just before it is suspended.

A process typically uses the `sigsuspend` function to coordinate with the asynchronous completion of some work by some other process. For instance, it may block certain signals while executing a critical section and wait for a signal when it completes:

```

    :
sigset_t newmask, oldmask;

sigemptyset(&newmask);
sigemptyset(&oldmask);
sigaddset(&newset, SIGUSR1);
sigaddset(&newset, SIGUSR2);
sigprocmask(SIG_BLOCK, &newmask, &oldmask);

    /* Code protected from SIGUSR1 and SIGUSR2 goes here */
```

```

        /* Release blocked signals and restore old mask */
sigsuspend(&oldmask);
        :

```

5.3.4 Setting Up an Alternate Signal Stack

The XPG4-UNIX specification defines the `sigaltstack` function to allow a process to set up a discrete stack area on which signals can be processed. The alternate signal stack is used if the `sa_flags` member of the `sigaction` structure for the signal specifies the `SA_ONSTACK` flag.

The `stack_t` structure supplied to a call to the `sigaltstack` function determines the configuration and use of the alternate signal stack by the values of the following members:

- The `ss_sp` member contains a pointer to the location of the signal stack.
- If the `ss_flags` member is not `NULL`, it can specify the `SS_DISABLE` flag, in which case the stack is disabled upon creation.
- The `ss_size` member specifies the size of the stack.

See the `sigaltstack(2)` reference page for additional information on the `sigaltstack(2)` function.

5.4 Realtime Signal Handling

Traditional signals, as defined by POSIX 1003.1, have several limitations that make them unsuitable for realtime applications:

- There are too few user-defined signals.

Only two signals are available for application use, `SIGUSR1` and `SIGUSR2`. For those applications that are constructed from various general-purpose and special-purpose components, all executing concurrently, the same signal could trigger different actions, depending on the sender. To avoid the risk of calling the wrong signal handler, code must become more complex and avoid asynchronous, unpredictable signal delivery.

- There is no priority ordering to the delivery of signals.

When multiple signals are pending to a process, the order in which they are delivered is undefined.

- Blocked signals are lost.

A signal can be lost if it is not delivered immediately. A single bit in a signal set is set when a blocked signal arrives and is pending delivery to a process. When the signal is unblocked and delivered, this bit is

cleared. While it is set, however, multiple instances of the same signal can arrive and be discarded.

- The signal delivery carries no information that distinguishes the signal from others of the same type.

From the perspective of the receiving process, there is no information associated with signal delivery that explains where the signal came from or how it is different from other such signals it may receive.

To overcome some of these limitations, POSIX 1003.1b extends the POSIX 1003.1 signal functionality to include the following facilitators for realtime signals:

- A range of priority-ordered, application-specific signals from SIGRTMIN to SIGRTMAX
- A mechanism for queuing signals for delivery to a process
- A mechanism for providing additional information about a signal to the process to which it is delivered
- Features that allow efficient signal delivery to a process when a POSIX 1003.1b timer expires, when a message arrives on an empty message queue, or when an asynchronous I/O operation completes
- Functions that allow a process to respond more quickly to signal delivery

Example 5–2 shows some modifications to Example 5–1 that allow it to process realtime signals more efficiently.

Example 5–2: Sending a Realtime Signal to Another Process

```
#include <unistd.h>
#include <signal.h>
#include <stdio.h>
#include <sys/types.h>
#include <sys/wait.h>

#define SIG_STOP_CHILD SIGRTMIN+11

main()
{
    pid_t pid;
    sigset_t newmask, oldmask;

    if ((pid = fork()) == 0) {2 /*Child*/
        struct sigaction action;
        void catchit();

        sigemptyset(&newmask);
        sigaddset(&newmask, SIG_STOP_CHILD);
        sigprocmask(SIG_BLOCK, &newmask, &oldmask);

        action.sa_flags = SA_SIGINFO;3
        action.sa_sigaction = catchit;

        if (sigaction(SIG_STOP_CHILD, &action, NULL) == -1) {4
```


Example 5–2: Sending a Realtime Signal to Another Process (cont.)

```
        perror("sigusr: sigaction");
        _exit(1);
    }
    sigsuspend(&oldmask);
}
else {
    union sigval sval; [5]
    int stat;

    sval.sival_int = 1;
    sleep(1); [6]
    sigqueue(pid, SIG_STOP_CHILD, sval); [7]
    pid = wait(&stat); [8]
    printf("Child exit status = %d\n", WEXITSTATUS(stat));
    _exit(0);
}
}
void catchit(int signo, siginfo_t *info, void *extra) [9]
{
    void *ptr_val = info->si_value.sival_ptr;
    int int_val = info->si_value.sival_int;
    printf("Signal %d, value %d received from parent\n", signo, int_val);
    _exit(0);
}
```

In this example:

- [1]** The program defines one of the realtime signals defined by POSIX 1003.1b (SIGRTMIN+1) to be a SIG_STOP_CHILD signal.
- [2]** The main program forks, creating a child process. The child process's initialization of the signal sets and creation of the process signal mask is the same as in the nonthreaded example in Example 5–1.
- [3]** By specifying the SA_SIGINFO flag in the *sa_flags* member of the *sigaction* structure, the child process indicates that the associated signal will be using the realtime queued signaling behavior.
- [4]** As in Example 5–1, the child process calls the *sigaction* function to set up the *catchit* signal handler so that it is called when the process receives the SIG_STOP_CHILD signal. It also calls the *sigsuspend* function to wait for a signal.
- [5]** The parent process declares a *sigval* union. The member of this union can be either an integer or a pointer, depending on the value the parent sends to its child's signal handler. In this case, the value is an integer.
- [6]** As in Example 5–1, the parent process sleeps for 1 second, allowing the child to run.
- [7]** The parent process calls the *sigqueue* function to send the SIG_STOP_CHILD signal, plus a signal value, to the child process.

- 8 As in Example 5–1, the parent waits for the child process to terminate, printing the child’s exit status when it does. Before this can occur, however, the child’s `catchit` signal handler must run.
- 9 The `catchit` signal handler prints a message that acknowledges that the child received the `SIG_STOP_CHILD` signal and the signal value.

The remainder of this section describes the POSIX 1003.1b extensions illustrated in this example.

5.4.1 Additional Realtime Signals

POSIX 1003.1 specified only two signals for application-specific purposes, `SIGUSR1` and `SIGUSR2`. POSIX 1003.1b defines a range of realtime signals from `SIGRTMIN` to `SIGRTMAX`, the number of which is determined by the `RTSIG_MAX` constant in the `rt_limits.h` header file (which is included in the `limits.h` header file).

You specify these signals (in `sigaction` and other functions) by referring to them in terms of `SIGRTMIN` or `SIGRTMAX`: for instance, `SIGRTMIN+1` or `SIGRTMAX-1`. Be aware that `SIGRTMIN` and `SIGRTMAX` are not constants; avoid using them in compiler declarations. You can determine the number of realtime signals on the system by calling `sysconf (_SC_RTSIG_MAX)`.

Although there is no defined delivery order for non-POSIX 1003.1b signals, the POSIX 1003.1b realtime signals are ranked from `SIGRTMIN` to `SIGRTMAX` (that is, the lowest-numbered realtime signal has the highest priority). This means that, when these signals are blocked and pending, `SIGRTMIN` signals will be delivered first, `SIGRTMIN+1` signals will be delivered next, and so on. Note that POSIX 1003.1b does not specify any priority ordering for nonrealtime signals, nor does it indicate the ordering of realtime signals relative to nonrealtime signals.

If you want a function to use only these new realtime signal numbers, you can block the old POSIX 1003.1 signal numbers in process signal masks.

5.4.2 Queuing Signals to a Process

As shown in Section 5.3.1, the `sigaction` structure a realtime process passes to the `sigaction` function has the following format:

```
struct sigaction {
    void (*sa_sigaction) (int, siginfo_t *, void *);
    sigset_t sa_mask;
    int sa_flags;
};
```

A process specifies the POSIX 1003.1b realtime signaling behavior (including signal queuing and the passing of additional information about the signal to

its handler) by setting the SA_SIGINFO flag in the *sa_flags* member of this structure. Setting the SA_SIGINFO bit has the following effects:

- It causes the signal, if blocked, to be queued to the process, instead of being marked as pending in the process's pending signal set.
- It causes the signal handler defined in the *sa_sigaction* member of the *sigaction* structure to be called.
- It causes the signal handler to be called with two arguments in addition to the signal number.

5.4.2.1 The `siginfo_t` Structure

The second argument provided to the signal handler is a `siginfo_t` structure that provides information that identifies the sender of the signal and the reason why the signal was sent. The `siginfo_t` structure is defined in the `siginfo.h` header file (included by the `signal.h` header file), as follows:

```
typedef struct siginfo {
    int si_signo;
    int si_errno;
    int si_code;
    pid_t si_pid;
    uid_t si_uid;
    int si_status;
    union sigval si_value;
    void *si_addr;
    long si_band;
    int si_fd;
} siginfo_t;
```

The following list describes the members of the `siginfo_t` structure:

- The *si_signo* member contains the signal number. It is identical to the value passed as the first argument passed to the signal handler.
- The *si_errno* member contains the `errno` value that is associated with the signal.
- The *si_code* member provides information that identifies the source of the signal. For POSIX.1b signals, it can contain one of the following values:

Value	Description
SI_ASYNCIO	The signal was sent on completion of an asynchronous I/O operation (see Section 5.4.3).
SI_MESGQ	The signal was sent on arrival of a message to an empty message queue (see Section 5.4.3).

Value	Description
SI_QUEUE	The signal was sent by the <code>sigqueue</code> function.
SI_TIMER	The signal was sent because of a timer expiration (see Section 5.4.3).
SI_USER	The signal was sent by the <code>kill</code> function or a similar function, such as <code>abort</code> or <code>raise</code> .

For XPG4-UNIX signals, this member can contain other values, as described in the `siginfo(5)` reference page.

- The `si_pid` member contains the process identification (PID) of the sending process.
- The `si_uid` member contains the user identification (UID) of the sending process. It is valid only when the `si_code` member contains the value `SI_USER`.
- The `si_status` member contains the exit value returned from the child process when a `SIGCHLD` signal is generated.
- The `si_value` member contains an application-specific value that has been passed to the signal handler in the last argument to the `sigqueue` function that generated the signal. The `si_value` member can contain either of the following members, depending upon whether the application-specific value is an integer or a pointer:

```
typedef union sigval {
    int      sival_int;
    void     *sival_ptr;
} sigval_t;
```

- The `si_addr` member contains a pointer to the faulting instruction or memory reference. It is valid only for the `SIGILL`, `SIGFPE`, `SIGSEGV`, and `SIGBUS` signals.
- The `si_band` member contains the band event job-control character (`POLL_OUT`, `POLL_IN`, or `POLL_MSG`) for the `SIGPOLL` signal. See the `poll(2)` reference page for additional information on poll events.
- The `si_fd` member contains a pointer to the file descriptor of the poll event associated with the `SIGPOLL` signal.

5.4.2.2 The `ucontext_t` and `sigcontext` Structures

The third argument passed to a signal handler when the `SA_SIGINFO` flag is specified in the `sa_flags` member of the `sigaction` structure is defined by POSIX.1b as an "extra" argument. The Tru64 UNIX operating system uses this field to pass a `ucontext_t` structure to a signal handler in an XPG4-UNIX environment, or a `sigcontext` structure in a BSD environment.

Both structures contain the receiving process's context at the time at which it was interrupted by the signal. The `sigcontext` structure is defined in the `signal.h` header file. The `ucontext_t` structure is defined in the `ucontext.h` header file and is fully described in the `ucontext(5)` reference page.

5.4.2.3 Sending a Realtime Signal with the `sigqueue` Function

Where a process uses the `kill` function to send a nonrealtime signal to another process, it uses the `sigqueue` function to send a realtime signal. The `sigqueue` function resembles the `kill` function, except that it provides an additional argument, an application-defined signal value that is passed to the signal handler in the `si_value` member of the `siginfo_t` structure if the receiving process has enabled the `SA_SIGINFO` flag in the `sa_flags` member of the signal's `sigaction` structure.

The `sigqueue` function queues the specified signal to the receiving process. The permissions checking for the `sigqueue` function are the same as those applied to the `kill` function (see Section 5.3). Nonprivileged callers are restricted in the number of signals they can have actively queued at any time. This per-process quota value is defined in the `rt_limits.h` header file (which is included in the `limits.h` header file) as `SIGQUEUE_MAX` and is configurable by the system administrator. You can retrieve its value by calling `sysconf(_SC_SIGQUEUE_MAX)`.

5.4.3 Asynchronous Delivery of Other Realtime Signals

Besides providing the `sigqueue` function to send realtime signals to processes, the POSIX 1003.1b standard defines additional features that extend realtime signal generation and delivery to functions that require asynchronous notification. Realtime functions are provided that automatically generate realtime signals for the following events:

- Asynchronous I/O completion (as initiated by the `aio_read`, `aio_write`, or `lio_listio` function)
- Timer expiration (for a timer established by the `timer_create` function)
- Arrival of a message to an empty message queue (for a message queue created by the `mq_notify` function)

When using the functions that trigger these events, you do not need to call a separate function to deliver signals. Realtime signal delivery for these events employs a `sigevent` structure, which is supplied as an argument (either directly or indirectly) to the appropriate function call. The `sigevent`

structure contains information that describes the signal (or, prospectively, another mechanism of asynchronous notification to be used). It is defined in the `signal.h` header file and contains the following members:

```
int          sigev_notify;
union sigval sigev_value;
int          sigev_signo;
```

The `sigev_notify` member specifies the notification mechanism to use when an asynchronous event occurs. There are two values defined for `sigev_notify` in POSIX 1003.1b:

Value	Description
SIGEV_SIGNAL	Indicates that a queued signal with an application-defined value is delivered when an event occurs.
SIGEV_NONE	Indicates that no asynchronous notification is delivered when an event occurs.

If the `sigev_notify` member contains `SIGEV_SIGNAL`, the other two members of the `sigevent` structure are meaningful.

The `sigev_value` member is an application-defined value to be passed to the signal-catching function at the time of signal delivery. It can contain either of the following members, depending upon whether the application-specific value is an integer or a pointer:

```
typedef union sigval {
    int      sival_int;
    void     *sival_ptr;
} sigval_t;
```

The `sigev_signo` member specifies the signal number to be sent on completion of the asynchronous I/O operation, timer expiration, or delivery of a message to the message queue. For any of these events, you must use the `sigaction` function to set up a signal handler to execute after the signal is received. See Chapter 6 and Chapter 7 for examples of using signals with these functions.

5.4.4 Responding to Realtime Signals Using the `sigwaitinfo` and `sigtimedwait` Functions

The `sigsuspend` function, described in Section 5.3.3, allows a process to block while waiting for signal delivery. When the signal arrives, the process's signal handler is called. When the handler completes, the process is unblocked and continues execution.

The `sigwaitinfo` and `sigtimedwait` functions, defined in POSIX 1003.1b, also allow a process to block waiting for signal delivery. However, unlike

`sigsuspend`, they do not call the process's signal handler when a signal arrives. Rather, they immediately unblock the process, returning the number of the received signal as a status value.

The first argument to these functions is a signal mask that specifies the signals for which the process is waiting. The process must have blocked the signals specified in this mask; otherwise, they will be dispatched to any established signal handler. The second argument is an optional pointer to a location to which the function returns the `siginfo_t` structure that describes the signal.

The `sigtimedwait` function further allows you to specify a timeout value, allowing you to set a limit to the time the process waits for a signal.

Example 5–3 shows a version of Example 5–2 that eliminates the signal handler that runs when the child process receives a `SIG_STOP_CHILD` signal from its parent. Instead, the child process blocks the signal and calls the `sigwaitinfo` function to wait for its delivery.

Example 5–3: Using the `sigwaitinfo` Function

```
#include <unistd.h>
#include <signal.h>
#include <stdio.h>
#include <sys/types.h>
#include <sys/wait.h>

#define SIG_STOP_CHILD SIGRTMIN+1

main()
{
    pid_t pid;
    sigset_t newmask;
    int rcvd_sig; 1
    siginfo_t info; 2

    if ((pid = fork()) == 0) {          /*Child*/

        sigemptyset(&newmask);
        sigaddset(&newmask, SIG_STOP_CHILD);
        sigprocmask(SIG_BLOCK, &newmask, NULL); 3

        while (1) { 4
            rcvd_sig = sigwaitinfo(&newmask, &info) 5
            if (rcvd_sig == -1) {
                perror("sigusr: sigwaitinfo");
                _exit(1);
            }
            else { 6
                printf("Signal %d, value %d received from parent\n",
                    rcvd_sig, info.si_value.sival_int);
                _exit(0);
            }
        }
    }
    else {                               /* Parent */
        union sigval sval;
        sval.sigev_value.sival_int = 1;
```

Example 5–3: Using the sigwaitinfo Function (cont.)

```
    int stat;
    sleep(1);
    sigqueue(pid, SIG_STOP_CHILD, sval);
    pid = wait(&stat);
    printf("Child exit status = %d\n", WEXITSTATUS(stat));
    _exit(0);
}
}
```

In this example:

- ❶ The program defines a variable to which the `sigwaitinfo` call returns the value of the delivered signal (or returns `-1`, indicating an error).
- ❷ The program defines a variable to which the `sigwaitinfo` call returns the `siginfo_t` structure that describes the received signal.
- ❸ The child process sets up a signal mask to block the `SIG_STOP_CHILD` signal. Notice that it has not defined a signal handler to run when the signal is delivered. The `sigwaitinfo` function does not call a signal handler.
- ❹ The child process loops waiting for signal delivery.
- ❺ The child process calls `sigwaitinfo` function, specifying the newmask signal mask to block the `SIG_STOP_CHILD` signal and wait for its delivery.
- ❻ When the signal is delivered, the child process prints a message indicating that it has received the signal. It also prints the signal value that may accompany the realtime signal.

An additional example using the `sigwaitinfo` function is shown in Example 5–4. In this example, the child process sends to its parent the maximum number of signals that the system allows to be queued. When a `SIG` signal is delivered to it, the parent counts it and prints an informative message. After it has received `_SC_SIGQUEUE_MAX` signals, the parent prints a message that indicates the number of signals it has received.

Example 5–4: Using the sigwaitinfo Function

```
#include <unistd.h>
#include <stdio.h>
#include <sys/siginfo.h>
#include <sys/signal.h>

main()
{
    sigset_t      set, pend;
    int          i, sig, sigq_max, numsigs = 0;
    siginfo_t    info;
```


Example 5-4: Using the sigwaitinfo Function (cont.)

```
int          SIG = SIGRTMIN;

sigq_max = sysconf(_SC_SIGQUEUE_MAX);
sigemptyset(&set);
sigaddset(&set, SIG);
sigprocmask(SIG_SETMASK, &set, NULL);
printf("\nNow create a child to send signals...\n");
if (fork() == 0) {      /* child */
    pid_t parent = getppid();
    printf("Child will signal parent %d\n", parent);
    for (i = 0; i < sigq_max; i++) {
        if (sigqueue(parent, SIG, i) < 0)
            perror("sigqueue");
    }
    exit(1);
}
printf("Parent sigwait for child to queue signal...\n");
sigpending(&pend);
printf("Is signal pending: %s\n",
       sigismember(&pend, SIG) ? "yes" : "no");
for (i = 0; i < sigq_max; i++) {
    sig = sigwaitinfo(&set, &info);
    if (sig < 0) {
        perror("sigwait");
        exit(1);
    }
    printf("Main woke up after signal %d\n", sig);
    printf("signo = %d, pid = %d, uid = %d, val = %d,\n",
           info.si_signo, info.si_pid, info.si_uid, info.si_int);
    numsigs++;
}
printf("Main: done after %d signals.\n", numsigs);
}
```

6

Clocks and Timers

Realtime applications must be able to operate on data within strict timing constraints in order to schedule application or system events. Timing requirements can be in response to the need for either high system throughput or fast response time. Applications requiring high throughput may process large amounts of data and use a continuous stream of data points equally spaced in time. For example, electrocardiogram research uses a continuous stream of data for qualitative and quantitative analysis.

Applications requiring a fast response to asynchronous external events must capture data as it comes in and perform decision-making operations or generate new output data within a given time frame. For example, flight simulator applications may acquire several hundred input parameters from the cockpit controls and visual display subsystem with calculations to be completed within a 5 millisecond time frame.

Tru64 UNIX P1003.1b timing facilities allow applications to use relative or absolute time and to schedule events on a one-shot or periodic basis. Applications can create multiple timers for each process.

The correctness of realtime applications often depends on satisfying timing constraints. A systemwide clock is the primary source for synchronization and high-resolution timers to support realtime requirements for scheduling events. The P1003.1b timing functions perform the following tasks:

- Set a systemwide clock and obtain the current value of the clock
- Set per-process timers to expire once or multiple times (arm the timers)
- Use asynchronous signals on timer expiration
- Retrieve the resolution of the systemwide clock
- Permit the calling thread or process to suspend execution for a period of time or until a signal is delivered

Timing facilities are most useful when combined with other synchronization techniques.

Although non-POSIX functions are available for creating timers, application programmers striving for standards conformance, portability, and use of multiple per-process timers should use the P1003.1b timing facilities described in this chapter.

This chapter includes the following sections:

- Clock Functions, Section 6.1
- Types of Timers, Section 6.2
- Timers and Signals, Section 6.3
- Data Structures Associated with Timing Facilities, Section 6.4
- Timer Functions, Section 6.5
- High-Resolution Sleep, Section 6.6
- Clocks and Timers Example, Section 6.7

6.1 Clock Functions

The supported time-of-day clock is the `CLOCK_REALTIME` clock, defined in the `time.h` header file. The `CLOCK_REALTIME` clock is a systemwide clock, visible to all processes running on the system. If all processes could read the clock at the same time, each process would see the same value.

The `CLOCK_REALTIME` clock measures the amount of time that has elapsed since 00:00:00 January 1, 1970 Greenwich Mean Time (GMT).¹

The `CLOCK_REALTIME` clock measures time in nanoseconds; clock resolution does not reflect fractions of nanoseconds. For example, when the resolution for `CLOCK_REALTIME` is calculated at 1 sec / 1024 Hz, the result is 976562.5 nanoseconds. The clock resolution returned by the call to `clock_getres` for `CLOCK_REALTIME` is 976562. The fractional nanoseconds are ignored. The system self-corrects at the end of every second and adjusts time to correct for disparities. See Section 6.1.4 for more information about system clock resolution.

The P1003.1b timing functions for a specified clock are as follows:

Function	Description
<code>clock_getres</code>	Returns the resolution of the specified clock
<code>clock_gettime</code>	Returns the current value for the specified clock
<code>clock_settime</code>	Sets the specified clock to the specified value

Use the name `CLOCK_REALTIME` as the `clock_id` argument in all P1003.1b clock functions.

The `clock_getres` function returns the clock resolution. Note that you cannot set the resolution of the specified clock, although you can specify a

¹ Otherwise known as the "Epoch."

high-resolution option that gives the appearance of higher resolution (see Section 6.1.5).

You can use the values returned by the `clock_gettime` function to determine values for the creation of realtime timers.

When the `clock_settime` function is called, the *time* argument is truncated to a multiple of the clock resolution, if it is not already a multiple of the clock resolution. Similarly, the clock resolution is used when setting interval timers.

The following example calls the `clock_getres` function to determine clock resolution:

```
#include <unistd.h>
#include <time.h>

main()
{
    struct timespec    clock_resolution;
    int stat;

    stat = clock_getres(CLOCK_REALTIME, &clock_resolution);

    printf("Clock resolution is %d seconds, %ld nanoseconds\n",
           clock_resolution.tv_sec, clock_resolution.tv_nsec);
}
```

6.1.1 Retrieving System Time

Both the `time` and `clock_gettime` functions return the value of the systemwide clock as the number of elapsed seconds since the Epoch. The `timespec` data structure (used for the `clock_gettime` function) also contains a member to hold the value of the number of elapsed nanoseconds not comprising a full second.

Example 6–1 shows the difference between the time as returned by the `time` and `clock_gettime` functions.

Example 6–1: Returning Time

```
#include <unistd.h>
#include <time.h>

main()
{
    struct timespec ts;

    /* Call time */
    printf("time returns %d seconds\n", time(NULL));
    /* Call clock_gettime */

    clock_gettime(CLOCK_REALTIME, &ts);
}
```

Example 6–1: Returning Time (cont.)

```
printf("clock_gettime returns:\n");
printf("%d seconds and %ld nanoseconds\n", ts.tv_sec, ts.tv_nsec);
}
```

In Example 6–1, 876,764,530 seconds is returned from the `time` function, and 876,764,530 seconds and 000,0674,633 nanoseconds is returned from the `clock_gettime` function.

The `time` function returns a long integer containing the number of seconds that have elapsed since the Epoch. The `clock_gettime` function receives a pointer to the `timespec` structure and returns the values in the `tv_sec` and `tv_nsec` members.

If you plan to write the current time to a device or file, you may want to convert the time format returned by the `clock_gettime` function.

6.1.2 Setting the Clock

The `clock_settime` function lets you set the time for the specified clock. If you have an application that monitors time over the network, use the `clock_settime` function to synchronize with other systems. However, under normal circumstances you would not need to call the `clock_settime` function.

If timers are pending execution, use the `adjtime` function to adjust the clock slowly; armed timers are not affected by this function. See the reference page for `adjtime` for complete information about this function.

You must have superuser privileges to use the `clock_settime` and `adjtime` functions.

6.1.3 Converting Time Values

Realtime clock and timer functions use the number of seconds and nanoseconds since the Epoch. Although this method is precise and suitable for the machine, it is not meaningful for application users. If your application prints or receives time information from users, you will want to convert time data to a more readable format.

If you use the `time` function to retrieve system time, the input and return values are expressed in elapsed seconds since the Epoch. Your application should define the format for both user input and output and then convert these time values for use by the program. Applications can store the converted time values for future use.

The C language provides a number of functions to convert and store time in both a `tm` structure and an ASCII format. Note that although these C routines use seconds as the smallest unit of time, they provide users with a readable format.

When you pass the time in seconds to these functions, some functions return a pointer to a `tm` structure. This structure breaks down time into units, such as hours, minutes, and seconds, and stores the data in the appropriate fields.

Tru64 UNIX provides date and time functions that deal with these time units and calendar time, making conversions as necessary. The date and time conversion functions are as follows:

Function	Description
<code>asctime</code>	Converts time units (hours, minutes, and seconds) into a 26-character string
<code>ctime</code>	Converts a time in seconds since the Epoch to an ASCII string in the form generated by <code>asctime</code>
<code>difftime</code>	Computes the difference between two calendar times (<code>time1-time0</code>) and returns the difference expressed in seconds
<code>gmtime</code>	Converts a calendar time into time units, expressed as GMT
<code>localtime</code>	Converts a time in seconds since the Epoch into time units
<code>mktime</code>	Converts the time units in the <code>tm</code> structure pointed to by <code>timeptr</code> into a calendar time value with the same encoding as that of the values returned by <code>time</code>
<code>tzset</code>	Sets the external variable <code>tzname</code> , which contains current time zone names

To select the most appropriate time conversion function for your application, see the reference pages for each of these functions.

The converted time values for the date and time conversion functions are placed in a time structure (`tm`) defined in the `time.h` header file, as follows:

```
struct tm {
    int tm_sec,           /* Time in seconds (0-59)      */
    int tm_min,         /* Time in minutes (0-59)    */
    int tm_hour,        /* Time in hours (0-23)      */
    int tm_mday,        /* Day of the month (1 to 31) */
    int tm_mon,         /* Month (0 to 11)           */
    int tm_year,        /* Year (last 2 digits)      */
    int tm_wday,        /* Day of the week (Sunday=0) */
    int tm_yday,        /* Day of the year (0 to 365) */
    int tm_isdst;       /* Daylight savings time (always 0) */
    long tm_gmtoff;     /* Offset from GMT in seconds */
    char *tm_zone;     /* Time zone                  */
};
```

6.1.4 System Clock Resolution

System clock resolution on Alpha systems is 1/1024 second, or roughly 976 microseconds. The system maintains time by adding 976 microseconds at every clock interrupt. The actual time period between clock ticks is exactly 1/1024 second = 976.5625 microseconds.

The missing 576 microseconds ($1024 * .5625$) are added at the end of the 1024th tick (that is, every second), to make sure that the system time matches with the observed wall-clock time.

This implies that each clock tick increments the system time by 976 microseconds except the 1024th one, which advances the time by 1552 microseconds (976 + 576). Thus there is a spike in the time as maintained by Tru64 UNIX.

The POSIX 1003.1a specification mandates that the system quantize all timer values passed by a program to the next multiple of the clock tick. If an application program requests a timer value that is not an exact multiple of the system clock resolution (an exact multiple of 976.5625 microseconds), the actual time period counted down by the system will be slightly larger than the requested time period.

A program that asks for a periodic timer of 50 milliseconds will actually get a time period of 50.78 milliseconds ($.976562 * 52$). Unless accounted for, the additional .78 milliseconds every 50 milliseconds will result in a wrong calculation of the elapsed time as calculated by the program.

Possible solutions to the above anomaly are either to always ask for time periods that are integral multiples of the system clock resolution or to not use the periodic timer for timekeeping.

6.1.5 High-Resolution Clock

Version 4.0 of the operating system added the capability of an optional high-resolution clock. To enable the high-resolution clock, add the following line to the kernel configuration file and rebuild the kernel:

```
options MICRO_TIME
```

The system clock (`CLOCK_REALTIME`) resolution as returned by `clock_getres(3)` will not change; timer resolution remains the same. However, time as returned by the `clock_gettime(3)` routine will now be extrapolated between the clock ticks. The granularity of the time returned will now be in microseconds. The time values returned are SMP safe, monotonically increasing, and have 1 microsecond as the apparent resolution.

You can use the high-resolution clock for time-stamping and for measuring events that are of the order of microseconds, such as time spent in some critical code path.

6.2 Types of Timers

Two types of timers are provided to support realtime timing facilities: one-shot timers and periodic timers. Timers can be set up to expire only once (one-shot) or on a repetitive (periodic) schedule. A one-shot timer is armed with an initial expiration time, expires only once, and then is disarmed. A timer becomes a periodic timer with the addition of a repetition value. The timer expires, then loads the repetition interval, rearming the timer to expire after the repetition interval has elapsed.

The initial expiration value can be relative to the current time or an absolute time value. A relative timer has an initial expiration time based on the amount of time elapsed, such as 30 seconds from the start of the application or 0.5 seconds from the last timer expiration. An absolute timer expires at a calendar date and time.

Often, a timer uses both concepts of absolute and relative timers. You can establish a timer to fire as an absolute timer when it first expires, and set subsequent timer expirations relative to the first expiration. For example, an application may need to collect data between midnight and 3:00 AM. Data collection during this three-hour period may be staged in 12-minute intervals. In this case, absolute times are used to start and stop the data collection processes at midnight and 3:00 A.M. respectively. Relative time is used to initiate data collection at 12-minute intervals.

The values specified in the arguments to the `timer_settime` function determine whether the timer is a one-shot or periodic and absolute or relative type. See Section 6.5.2 for more information on the `timer_settime` function.

6.3 Timers and Signals

You create a timer with the `timer_create` function, which is associated with a `sigevent` structure. When using timers, you specify an initial expiration value and an interval value. When the timer expires, the system sends the specified signal to the process that created the timer. Therefore, you should set up a signal handler to catch the signal after it is sent to the calling process.

To use signals with timers, include the following steps in your application:

1. Create and declare a signal handler.

2. Set the `sigevent` structure to specify the signal you want sent on timer expiration.
3. Establish a signal handler with the `sigaction` function.
4. Create the timer.

If you do not choose to use realtime signals, then identical signals delivered from multiple timers are compressed into a single signal. In this case, you may need to specify a different signal for each timer. If you use realtime signals, identical signals are queued to the calling process. See Chapter 5 for more information on signals and signal handling.

6.4 Data Structures Associated with Timing Facilities

The `timespec` and `itimerspec` data structures in the `timers.h` header file are used in many of the P1003.1b realtime clock and timer functions. The `timespec` data structure contains members for both second and nanosecond values. This data structure sets up a single time value and is used by many P1003.1b functions that accept or return time value specifications. The `itimerspec` data structure contains two `timespec` data structures. This data structure sets up an initial timer and repetition value used by P1003.1b timer functions.

The `signal.h` header file contains a `sigevent` structure for specifying the signal to be sent on timer expiration.

6.4.1 Using the `timespec` Data Structure

The `timespec` data structure consists of two members, `tv_sec` and `tv_nsec`, and takes the following form:

```
typedef struct timespec {
    time_t tv_sec;           /* Seconds */
    long tv_nsec;          /* Nanoseconds */
} timespec_t;
```

The `tv_nsec` member is valid only if its value is greater than zero and less than the number of nanoseconds in a second. The time interval described by the `timespec` structure is $(tv_sec * 10^9) + tv_nsec$ nanoseconds. (The minimum possible time interval is limited by the resolution of the specified clock.)

The `timespec` structure is used in P1003.1b functions to set and return the specified clock, return the resolution of the clock, set and return timer values, and specify `nanosleep` values.

6.4.2 Using the itimerspec Data Structure

The `itimerspec` data structure consists of two `timespec` structures and takes the following form:

```
struct itimerspec {
    struct timespec it_interval; /* Timer interval */
    struct timespec it_value;   /* Initial expiration */
};
```

The two `timespec` structures specify an interval value and an initial expiration value, both of which are used in all timer functions related to setting up timers. The values specified for the member structures identify the timer as one-shot or periodic. Table 6–1 summarizes the ways that values for the two members of the `itimerspec` structure are used to specify timers.

Table 6–1: Values Used in Setting Timers

Member	Zero	Non-Zero
<code>it_value</code>	No expiration value Disarm the timer	Expiration value Arm the timer
<code>it_interval</code>	No reload value Use as a one-shot timer	Interval reload value Use as a periodic timer

The `it_value` specifies the initial amount of time before the timer expires. A nonzero value for the `it_value` member indicates the amount of time until the timer's first expiration.

`TIMER_ABSTIME` is a flag that, when set, makes the timer an absolute timer. The time until the next timer expiration is specified in seconds and nanoseconds since the Epoch and is the difference between the absolute time specified by the `it_value` member and the current clock value.

If the `TIMER_ABSTIME` flag is not set, the time until the next timer expiration is set equal to the interval specified by the `it_value` member, and the timer is a relative timer.

A zero value for the `it_value` member disarms the timer.

When the timer expires for the first time, the `it_interval` member specifies the interval after which the timer will expire again. That is, the value of the `it_interval` member is reloaded when the timer expires and timing continues. A nonzero value for the `it_interval` member specifies a periodic timer. A zero value for the `it_interval` member causes the timer to expire only once; after the first expiration, the `it_value` member is set to zero and the timer is disarmed.

For example, to specify a timer that executes only once, 5.25 seconds from now, specify the following values for the members of the `itimerspec` structure:

```
mytimer.it_value.tv_sec = 5;
mytimer.it_value.tv_nsec = 250000000;
mytimer.it_interval.tv_sec = 0;
mytimer.it_interval.tv_nsec = 0;
```

To arm a timer to execute 15 seconds from now and then at 0.5 second intervals, specify the following values:

```
mytimer.it_value.tv_sec = 15;
mytimer.it_value.tv_nsec = 0;
mytimer.it_interval.tv_sec = 0;
mytimer.it_interval.tv_nsec = 500000000;
```

In the preceding examples, the timer is armed relative to the current time. To set up a timer with an absolute initial expiration time, such as 10:00 A.M., convert the absolute initial expiration value (in seconds and nanoseconds) to the correct offset from the current time.

Because the value of the `tv_nsec` member is expressed in nanoseconds, it may be somewhat cumbersome. To simplify specifying values for the `tv_nsec` member as fractions of a second, you could define a symbolic constant:

```
#define NSECS_PER_SEC 1000000000;
```

After defining this constant, you could specify 1/4 second as follows:

```
mytimer.it_value.tv_nsec = NSECS_PER_SEC/4;
```

See Section 6.5 for more information on relative and absolute timers.

6.4.3 Using the `sigevent` Data Structure

The `sigevent` structure delivers the signal on timer expiration. The `evp` argument of the `timer_create` function points to a `sigevent` structure, which contains the signal to be sent upon expiration of each timer.

The `sigevent` structure is defined in the `signal.h` header file and contains the following members:

```
union sigval    sigev_value; /* Application-defined value */
int            sigev_signo; /* Signal to raise */
int            sigev_notify; /* Notification type */
```

The `sigval` union contains at least the following members:

```
int            sival_int; /* Used when sigev_value is of type int */
void          *sival_ptr; /* Used when sigev_value is of type ptr */
```

The *sigev_value* member is an application-defined value to be passed to the signal-catching function at the time of signal delivery.

The *sigev_signo* member specifies the signal number to be sent on completion of the asynchronous I/O operation or on timer expiration. In both instances, you must set up a signal handler to execute when the signal is received. You can use the *sigaction* function to specify the action required. See Chapter 5 for more information about the *sigaction* function.

The *sigev_notify* member specifies the notification mechanism to use when an asynchronous event occurs. P1003.1b defines two values for *sigev_notify*: SIGEV_NONE and SIGEV_SIGNAL. SIGEV_NONE indicates that no asynchronous notification is delivered when an event occurs. SIGEV_SIGNAL indicates that a queued signal with an application-defined value is delivered when an event occurs.

6.5 Timer Functions

Clocks and timers allow an application to synchronize and coordinate activities according to a user-defined schedule. Tru64 UNIX P1003.1b timers have the ability to issue periodic timer requests initiated by a single call from the application.

The following P1003.1b timing functions are available for realtime applications:

Function	Description
<code>timer_create</code>	Returns a unique timer ID used in subsequent calls to identify a timer based on the systemwide clock
<code>timer_delete</code>	Removes a previously allocated, specified timer
<code>timer_getoverrun</code>	Returns the timer expiration overrun count for the specified timer
<code>timer_gettime</code>	Returns the amount of time before the specified timer is due to expire and the repetition value
<code>timer_settime</code>	Sets the value of the specified timer either to an offset from the current clock setting or to an absolute value

Timers do not have global IDs, which means that they are not inherited by a child process after a call to the `fork` or `exec` system calls. You cannot arm a timer, call the `exec` system call, and have the new image receive the signal. The newly created timer structures are inherited across a fork, but any pending timer signals will be delivered only to the parent process.

6.5.1 Creating Timers

The `timer_create` function allocates a timer and returns a timer ID that is unique within the calling process and exists for the life of that timer. The timer is not armed until you make a call to the `timer_settime` function, which sets the values for the specified timer.

The timer functions perform a series of tasks necessary for setting up timers. To create a timer, you must set up appropriate data structures, set up a signal handler to catch the signal when the timer expires, and arm the timer. To use timers in a realtime application, follow these steps:

1. Include `time.h` and `signal.h` in the application source file.
2. Declare the variable names for your `itimerspec` data structure to specify interval and expiration values.
3. Establish a `sigevent` structure containing the signal to be passed to the process on timer expiration.
4. Set up a signal handler in the calling process to catch the signal when the timer expires.
5. Call the `timer_create` function to create a timer and associate it with the specified clock. Specify a signal to be delivered when the timer expires.
6. Initialize the `itimerspec` data structure with the required values.
7. Call the `timer_settime` function to initialize and activate the timer as either an absolute or relative timer.
8. Call the `timer_delete` function when you want to remove the timer.

The number of per-process timers (`TIMER_MAX`) is defined in the `limits.h` header file.

The `timer_create` function also takes an `evp` argument, which, if non-NULL, is a pointer to a `sigevent` structure. This structure defines the signal and value to be sent to the calling process when the timer expires. If the `sigev_notify` member of `evp` is `SIGEV_SIGNAL`, the structure must contain the signal number and data value to send to the process when the timer expires. If the `sigev_notify` member is `SIGEV_NONE`, no notification will be sent.

If the `evp` argument is NULL, the default signal `SIGALRM` is used.

6.5.2 Setting Timer Values

The `timer_settime` function determines whether the timer is an absolute or relative timer. This function sets the initial expiration value for the timer and sets the interval time used to reload the timer after it has reached the

initial expiration value. The interval you specify is rounded up to the next integral multiple of the system clock resolution. See Section 6.1.4 for more information about system clock resolution.

The arguments for the `timer_settime` function perform the following functions:

1. The *timerid* argument identifies the timer.
2. The *flags* argument determines whether the timer behaves as an absolute or relative timer.

If the `TIMER_ABSTIME` flag is set, the timer is set with a specified starting time (the timer is an absolute timer). If the `TIMER_ABSTIME` flag is not set, the timer is set relative to the current time (the timer is a relative timer).

3. The *value* argument points to an `itimerspec` structure, which contains the initial expiration value and repetition value for the timer:
 - The *it_value* member of the *value* argument establishes the initial expiration time.

For absolute timers, the `timer_settime` function interprets the next expiration value as equal to the difference between the absolute time specified by the *it_value* member of the *value* argument and the current value of the specified clock. The timer then expires when the clock reaches the value specified by the *it_value* member of the *value* argument.

For relative timers, the `timer_settime` function interprets the next expiration value as equal to the interval specified by the *it_value* member of the *value* argument. The timer will expire in *it_value* seconds and nanoseconds from when the call was made. After a timer is started as an absolute or relative timer, its behavior is driven by whether it is a one-shot or periodic timer.

- The *it_value* member of the *value* argument can disable a timer. To disable a periodic timer, call the timer and specify the value zero for the *it_value* member.
- The *it_interval* member of the *value* argument establishes the repetition value.

The timer interval is specified as the value of the *it_interval* member of the `itimerspec` structure in the *value* argument. This value determines whether the timer functions as a one-shot or periodic timer.

After a one-shot timer expires, the expiration value (*it_value* member) is set to zero. This indicates that no next expiration value is specified, which disarms the timer.

A periodic timer is armed with an initial expiration value and a repetition interval. When the initial expiration time is reached, it is reloaded with the repetition interval and the timer starts again. This continues until the application exits. To arm a periodic timer, set the *it_value* member of the *value* argument to the desired expiration value and set the *it_interval* member of the *value* argument to the desired repetition interval.

4. The *ovalue* argument points to an `itimerspec` structure that contains the time remaining on an active timer. If the timer is not armed, the *ovalue* is equal to zero. If you delete an active timer, the *ovalue* will contain the amount of time remaining in the interval.

You can use the `timer_settime` function to reuse an existing timer ID. If a timer is pending and you call the `timer_settime` function to pass in new expiration times, a new expiration time is established.

6.5.3 Retrieving Timer Values

The `timer_gettime` function returns two values: the amount of time before the timer expires and the repetition value set by the last call to the `timer_settime` function. If the timer is disarmed, a call to the timer with the `timer_gettime` function returns a zero for the value of the *it_value* member. To arm the timer again, call the `timer_settime` function for that timer ID and specify a new expiration value for the timer.

6.5.4 Getting the Overrun Count

Under POSIX.1b, timer expiration signals for a specific timer are not queued to the process. If multiple timers are due to expire at the same time, or a periodic timer generates an indeterminate number of signals with each timer request, a number of signals will be sent at essentially the same time. There may be instances where the requesting process can service the signals as fast as they occur, and there may be other situations where there is an overrun of the signals.

The `timer_getoverrun` function helps track whether or not a signal was delivered to the calling process. Tru64 UNIX P1003.1b timing functions keep a count of timer expiration signals for each timer created. The `timer_getoverrun` function returns the counter value for the specified timer ID. If a signal is sent, the overrun count is incremented, even if the signal was not delivered or if it was compressed with another signal. If the signal cannot be delivered to the calling process or if the signal is delayed for some reason, the overrun count contains the number of extra timer expirations that occurred during the delay. A signal may not be delivered if, for instance, the signal is blocked or the process was not scheduled. Use the

`timer_getoverrun` function to track timer expiration and signal delivery as a means of determining the accuracy or reliability of your application.

If the signal is delivered, the overrun count is set to zero and remains at zero until another overrun occurs.

6.5.5 Disabling Timers

When a one-shot timer expires, the timer is disarmed but the timer ID is still valid. The timer ID is still current and can be rearmed with a call to the `timer_settime` function. To remove the timer ID and disable the timer, use the `timer_delete` function.

6.6 High-Resolution Sleep

To suspend process execution temporarily using the P1003.1b timer interface, call the `nanosleep` function. The `nanosleep` function suspends execution for a specified number of nanoseconds, providing a high-resolution sleep. A call to the `nanosleep` function suspends execution until either the specified time interval expires or a signal is delivered to the calling process.

Only the calling thread sleeps with a call to the `nanosleep` function. In a threaded environment, other threads within the process continue to execute.

The `nanosleep` function has no effect on the delivery or blockage of signals. The action of the signal must be to invoke a signal-catching function or to terminate the process. When a process is awakened prematurely, the `rmtvp` argument contains the amount of time remaining in the interval.

6.7 Clocks and Timers Example

Example 6–2 demonstrates the use of P1003.1b realtime timers. The program creates both absolute and relative timers. The example demonstrates concepts using multiple signals to distinguish between timer expirations. The program loops continuously until the program is terminated by a Ctrl/C from the user.

Example 6–2: Using Timers

```
/*
 * The following program demonstrates the use of various types of
 * POSIX 1003.1b Realtime Timers in conjunction with 1003.1 Signals.
 *
 * The program creates a set of timers and then blocks waiting for
 * either timer expiration or program termination via SIGINT.
 * Pressing CTRL/C after a number of seconds terminates the program
 * and prints out the kind and number of signals received.
 *
 * To build:
 *
 * cc -g3 -O -non_shared -o timer_example timer_example.c -L/usr/ccs/lib -lrt
```

Example 6–2: Using Timers (cont.)

```
*/

#include <unistd.h>
#include <sys/types.h>
#include <stdio.h>
#include <sys/limits.h>
#include <time.h>
#include <sys/signal.h>
#include <sys/errno.h>

/*
 * Constants and Macros
 */

#define FAILURE -1
#define ABS     TIMER_ABSTIME
#define REL     0
#define TIMERS 3

#define MIN(x,y) ((x) < (y)) ? (x) : (y)

sig_handler();
void timeaddval();
struct sigaction sig_act;

/*
 * Control Structure for Timer Examples
 */
struct timer_definitions {
    int type;                /* Absolute or Relative Timer */
    struct sigevent evp;     /* Event structure */
    struct itimerspec timeout; /* Timer interval */
};

/*
 * Initialize timer_definitions array for use in example as follows:
 *
 * type, { sigev_value, sigev_signo }, { it_iteration, it_value }
 */

struct timer_definitions timer_values[TIMERS] = {
    { ABS, {0,SIGALRM}, {0,0, 3,0} },
    { ABS, {0,SIGUSR1}, {0,500000000, 2,0} },
    { REL, {0,SIGUSR2}, {0,0, 5,0} }
};

timer_t timerid[TIMERS];
int timers_available;          /* number of timers available */
volatile int alarm, usr1, usr2;
sigset_t mask;

main()
{
    int status, i;
    int clock_id = CLOCK_REALTIME;
    struct timespec current_time;

    /*
     * Initialize the sigaction structure for the handler.
     */
}
```

Example 6–2: Using Timers (cont.)

```
sigemptyset(&mask);
sig_act.sa_handler = (void *)sig_handler;
sig_act.sa_flags = 0;
sigemptyset(&sig_act.sa_mask);
alarm = usr1 = usr2 = 0;

/*
 * Determine whether it's possible to create TIMERS timers.
 * If not, create TIMER_MAX timers.
 */

timers_available = MIN(sysconf(_SC_TIMER_MAX), TIMERS);

/*
 * Create "timers_available" timers, using a unique signal
 * type to denote the timer's expiration. Then initialize
 * a signal handler to handle timer expiration for the timer.
 */

for (i = 0; i < timers_available; i++) {
    status = timer_create(clock_id, &timer_values[i].evp,
                        &timerid[i]);
    if (status == FAILURE) {
        perror("timer_create");
        exit(FAILURE);
    }
    sigaction(timer_values[i].evp.sigev_signo, &sig_act, 0);
}

/*
 * Establish a handler to catch CTRL-c and use it for exiting.
 */

sigaction(SIGINT, &sig_act, NULL);    /* catch ctrl-c */

/*
 * Queue the following Timers: (see timer_values structure for details)
 *
 * 1. An absolute one-shot timer (Notification is via SIGALRM).
 * 2. An absolute periodic timer. (Notification is via SIGUSR1).
 * 3. A relative one-shot timer. (Notification is via SIGUSR2).
 *
 * (NOTE: The number of TIMERS queued actually depends on
 * timers_available)
 */

for (i = 0; i < timers_available; i++) {
    if (timer_values[i].type == ABS) {
        status = clock_gettime(CLOCK_REALTIME, &current_time);
        timeaddval(&timer_values[i].timeout.it_value,
                &current_time);
    }
    status = timer_settime(timerid[i], timer_values[i].type,
                        &timer_values[i].timeout, NULL);
    if (status == FAILURE) {
        perror("timer_settime failed: ");
        exit(FAILURE);
    }
}

/*
```

Example 6–2: Using Timers (cont.)

```
    * Loop forever. The application will exit in the signal handler
    * when a SIGINT is issued (CTRL/C will do this).
    */
    for(;;) pause();
}

/*
 * Handle Timer expiration or Program Termination.
 */

sig_handler(signo)
int signo;
{
    int i, status;

    switch (signo) {
        case SIGALRM:
            alrm++;
            break;
        case SIGUSR1:
            usr1++;
            break;
        case SIGUSR2:
            usr2++;
            break;
        case SIGINT:
            for (i = 0; i < timers_available; i++) /* delete timers */
                status = timer_delete(timerid[i]);
            printf("ALRM: %d, USR1: %d, USR2: %d\n", alrm, usr1, usr2);
            exit(1); /* exit if CTRL/C is issued */
    }
    return;
}

/* Add two timevalues: t1 = t1 + t2 */

void timeaddval(t1, t2)
struct timespec *t1, *t2;
{
    t1->tv_sec += t2->tv_sec;
    t1->tv_nsec += t2->tv_nsec;
    if (t1->tv_nsec < 0) {
        t1->tv_sec--;
        t1->tv_nsec += 1000000000;
    }
    if (t1->tv_nsec >= 1000000000) {
        t1->tv_sec++;
        t1->tv_nsec -= 1000000000;
    }
}

```

Asynchronous Input and Output

I/O operations on a file can be either synchronous or asynchronous. For synchronous I/O operations, the process calling the I/O request is blocked until the I/O operation is complete and regains control of execution only when the request is completely satisfied or fails. For asynchronous I/O operations, the process calling the I/O request regains control of execution immediately after the I/O operation is queued to the device. Later, when the requested I/O operation completes (either successfully or unsuccessfully), the calling process can be notified of the completion by a signal passed through the `aio_cb` structure for the asynchronous I/O function. Alternatively, the calling process can poll the `aio_cb` structure for completion status.

Asynchronous I/O is most commonly used in realtime applications requiring high-speed or high-volume data collection and/or low-priority journaling functions. Compute-intensive processes can use asynchronous I/O instead of blocking. For example, an application may collect intermittent data from multiple channels. Because the data arrives asynchronously, that is, when it is available rather than according to a set schedule, the receiving process must queue up the request to read data from one channel and immediately be free to receive the next data transmission from another channel. Another application may require such a high volume of reads, writes, and computations that it becomes practical to queue up a list of I/O operation requests and continue processing while the I/O requests are being serviced. Applications can perform multiple I/O operations to multiple devices while making a minimum number of function calls. The P1003.1b asynchronous I/O functions are designed to help meet these realtime needs.

You can perform asynchronous I/O operations using any open file descriptor.

This chapter includes the following sections:

- Data Structures Associated with Asynchronous I/O, Section 7.1
- Asynchronous I/O Functions, Section 7.2
- Asynchronous I/O to Raw Devices, Section 7.3
- Asynchronous I/O Examples, Section 7.4

7.1 Data Structures Associated with Asynchronous I/O

The P1003.1b asynchronous I/O functions use the asynchronous I/O control block `aio_cb`. This control block contains asynchronous operation information, such as the initial point for the read operation, the number of bytes to be read, and the file descriptor on which the asynchronous I/O operation will be performed. The control block contains information similar to that required for a read or write function, but additionally contains members specific to asynchronous I/O operations. The `aio_cb` structure contains the following members:

```
int          aio_fildes; /* File descriptor */
off_t        aio_offset; /* File offset */
volatile void *aio_buf; /* Pointer to buffer */
size_t       aio_nbytes; /* Number of bytes to transfer */
int          aio_reqprio; /* Request priority offset */
struct sigevent aio_sigevent; /* Signal structure */
int          aio_lio_opcode; /* Specifies type of I/O operation */
```

Note that you cannot reuse the `aio_cb` structure while an asynchronous I/O request is pending. To determine whether the `aio_cb` is in use, use the `aio_error` function.

7.1.1 Identifying the Location

When you call either the `aio_read` or `aio_write` function, you must specify how to locate the data to be read or to position the data to be written.

The `aio_offset` and `aio_nbytes` members of the `aio_cb` structure provide information about the starting point and length of the data to be read or written. The `aio_buf` member provides information about where the information should be read or written in memory.

When you use the `aio_write` function to write to a new file, data is written to the end of a zero-length file. On additional write operations, if the `O_APPEND` flag is set, write operations are appended to the file in the same order as the calls to the `aio_write` function were made. If the `O_APPEND` flag is not set, write operations take place at the absolute position in the file as given by the `aio_offset`, as if the `lseek` function were called immediately prior to the operation with an `offset` equal to `aio_offset` and a `whence` equal to `SEEK_SET`.

On a call to the `aio_read` function, the read operation takes place at the absolute position in the file as given by `aio_offset`, as if the `lseek` function were called immediately prior to the operation with an `offset` equal to `aio_offset` and a `whence` equal to `SEEK_SET`.

After a successful call to queue an asynchronous write operation with `O_APPEND` or to queue an asynchronous read, you must update the value of the offset with the value returned from the read or write operation. The

file offset is not dynamically updated, and failure to update the value of the offset can produce incorrect results.

To determine whether the read or write operation was successful, call the `aio_error` function. If the operation was successful, call the `aio_return` function to update the value of the `aio_offset` member after each successful read or write operation. See Section 7.2.3 for an example of using these functions to determine status.

7.1.2 Specifying a Signal

You can send a signal on completion of every read and write operation, regardless of whether the operation is issued from a call to the `aio_read`, `aio_write`, or `lio_listio` function. In addition, you can send a signal on completion of the `lio_listio` function. See Chapter 5 for more information on signals and signal handling.

The `aio_sigevent` member refers to a `sigevent` structure that contains the signal number of the signal to be sent upon completion of the asynchronous I/O request. The `sigevent` structure is defined in the `signal.h` header file and contains the following members:

```
union sigval    sigev_value;    /* Application-defined value */
int             sigev_signo;    /* Signal to raise */
int             sigev_notify    /* Notification type */
```

The `sigev_notify` member specifies the notification mechanism to use when an asynchronous event occurs. P1003.1b defines two values for `sigev_notify`: `SIGEV_NONE` and `SIGEV_SIGNAL`. `SIGEV_NONE` indicates that no asynchronous notification is delivered when an event occurs. `SIGEV_SIGNAL` indicates that the signal number specified in `sigev_signo` and the application-defined value specified in `sigev_value` are queued when an event occurs. When the signal is queued to the process, the value of `aio_sigevent.sigev_value` equals the `si_value` component of the generated signal. See Chapter 5 for more information.

The `sigev_signo` member specifies the signal number to be sent on completion of the asynchronous I/O operation. Setting the `sigev_signo` member to a legal signal value causes that signal to be posted when the operation is complete, if `sigev_notify` equals `SIGEV_SIGNAL`. Setting the value to `NULL` means that no signal is sent, but the error status and return value for the operation are set appropriately and can be retrieved using the `aio_error` and `aio_return` functions.

Instead of specifying a signal, you can poll for I/O completion when you expect the I/O operation to be complete.

7.2 Asynchronous I/O Functions

The asynchronous I/O functions combine a number of tasks normally performed by the user during synchronous I/O operations. With synchronous I/O, the application typically calls the `lseek` function, performs the I/O operation, and then waits to receive the return status.

Asynchronous I/O functions provide the following capabilities:

- Both regular and special files can handle I/O requests.
- One file descriptor can handle multiple read and write operations.
- Multiple read and write operations can be issued to multiple open file descriptors.
- Both sequential and random access devices can handle I/O requests.
- Outstanding I/O requests can be canceled.
- The process can be suspended to wait for I/O completion.
- I/O requests can be tracked when the request is queued, in progress, and completed.

The functions for performing and managing asynchronous I/O operations are as follows:

Function	Description
<code>aio_cancel</code>	Cancels one or more requests pending against a file descriptor
<code>aio_error</code>	Returns the error status of a specified operation
<code>aio_fsync</code>	Asynchronously writes system buffers containing a file's modified data to permanent storage
<code>aio_read</code>	Initiates a read request on the specified file descriptor
<code>aio_return</code>	Returns the status of a completed operation
<code>aio_suspend</code>	Suspends the calling process until at least one of the specified requests has completed
<code>aio_write</code>	Initiates a write request to the specified file descriptor
<code>lio_listio</code>	Initiates a list of requests

See the online reference pages for a complete description of these functions.

7.2.1 Reading and Writing

Asynchronous and synchronous I/O operations are logically parallel operations. The asynchronous functions `aio_read` and `aio_write` perform the same I/O operations as the `read` and `write` functions. However, the

`aio_read` and `aio_write` functions return control to the calling process when the I/O is initiated, rather than after the I/O operation is complete.

When reading data from a file synchronously, the application regains control only after all the data is read. Execution of the calling process is delayed until the `read` operation is complete.

When reading data from a file asynchronously, the calling process regains control immediately after the call is issued, before the read-and-return cycle is complete. The `aio_read` function returns when the read request is initiated or queued for delivery, even if delivery of the read request could be delayed. The calling process can use the time it otherwise would have spent waiting for request delivery, processing, and data transfer to execute some other task.

A typical application using asynchronous I/O includes the following steps:

1. Create and fill the asynchronous I/O control block (`aio_cb`).
2. Call the `open` function to open a specified file and get a file descriptor for that file. After a call to the `open` function, the file pointer is set to the beginning of the file. Select flags as appropriate.

Note

Do not use the `select` system call on a file descriptor on which you are using asynchronous I/O; the results are undefined.

3. If you use signals, establish a signal handler to catch the signal returned on completion of the asynchronous I/O operation.
4. Call the `aio_read`, `aio_write`, or `aio_fsync` function to request asynchronous I/O operations.
5. Call `aio_suspend` if your application needs to wait for the I/O operations to complete; or continue execution and poll for completion with `aio_error`; or continue execution until the signal arrives.
6. After completion, call the `aio_return` function to retrieve completion value.
7. Call the `close` function to close the file. The `close` function waits for all asynchronous I/O to complete before closing the file.

On a call to either the `_exit` or `fork` function, the status of outstanding asynchronous I/O operations is undefined. If you plan to use asynchronous I/O operations in a child process, call the `exec` function before you call the I/O functions.

7.2.2 Using List-Directed Input/Output

To submit list-directed asynchronous read or write operations, use the `lio_listio` function. As with other asynchronous I/O functions, you must first establish the control block structures for the individual read and write operations. The information contained in this structure is used during the operations. The `lio_listio` function takes as an argument an array of pointers to I/O control block structures, which allows the calling process to initiate a list of I/O requests. Therefore, you can submit multiple operations as a single function call.

You can control whether the `lio_listio` function returns immediately after the list of operations has been queued or waits until all the operations have been completed. The `mode` argument controls when the `lio_listio` function returns and can have one of the following values:

Value	Description
LIO_NOWAIT	Queues the operation, returns, and can signal when the operation is complete
LIO_WAIT	Queues the operation, suspends the calling process until the operation is complete, and does not signal when the <code>lio_listio</code> operation is complete

Completion means that all the individual operations in the list have completed, either successfully or unsuccessfully. In either case, the return value indicates only the success or failure of the `lio_listio` function call, not the status of individual I/O requests. In some cases, one or more of the I/O requests contained in the list may fail. Failure of an individual request does not prevent completion of any other individual request. To determine the outcome of each I/O request, examine the error status associated with each `lio_aio_cb` control block.

The `list` argument to the `lio_listio` function is a pointer to an array of `aio_cb` structures.

The `aio_lio_opcode` member of the `aio_cb` structure defines the I/O operation to be performed, and the `aio_fildes` member identifies the file descriptor. The combination of these members makes it possible to specify individual read and write operations as if they had been submitted individually. Each read or write operation in list-directed asynchronous I/O has its own status, return value, and `sigevent` structure for signal delivery.

To use list-directed asynchronous I/O in your application, use the following steps:

1. Create and fill the `aio_cb` control blocks.

2. Call the `open` function to open the specified files and get file descriptors for the files. After a call to the `open` function, the file pointer is set to the beginning of the file. Select flags as appropriate.
3. If you use signals, establish signal handlers to catch the signals returned on completion of individual operations after the `lio_listio` function completes or to catch a signal returned on completion of the entire list of I/O operations in the `lio_listio` request.
4. Call the `lio_listio` function.
5. Call the `close` function to close the files. The `close` function waits for all I/O to complete before closing the file.

As with other asynchronous I/O operations, any open function that returns a file descriptor is appropriate. On a call to either the `_exit` or `fork` function, the status of outstanding asynchronous I/O operations is undefined.

7.2.3 Determining Status

Asynchronous I/O functions provide status values when the operation is successfully queued for servicing and provides both error and return values when the operation is complete. The status requirements for asynchronous I/O are more complex than the functionality provided by the `errno` function, so status retrieval for asynchronous I/O is accomplished through using the `aio_error` and `aio_return` functions together.

The `aio_cbp` argument to the `aio_error` or `aio_return` function provides the address of an `aio_cb` structure, unique for each asynchronous I/O operation. The `aio_error` function returns the error status associated with the specified `aio_cbp`. The error status is the `errno` value that is set by the corresponding asynchronous I/O read or write operation.

The `aio_error` function returns `EINPROGRESS` if the operation is ongoing. When the asynchronous I/O operation is complete, `EINPROGRESS` is no longer returned. A subsequent call to the `aio_return` function will show if the operation is successful.

When you call the `aio_return` function, the system resources associated with the `aio_cb` for the duration of the I/O operation are returned to the system. If you call the `aio_return` function for an `aio_cb` with incomplete I/O, the result of the operation is undefined. To avoid losing data, use the `aio_error` function to ensure completion before you call the `aio_return` function. Then use the `aio_return` function to retrieve the number of bytes read or written during the asynchronous I/O operation.

If you do not call the `aio_return` function, the number of asynchronous I/O resources available for use in your application is reduced by one for every

completed asynchronous I/O operation that does not return data through a call to the `aio_return` function.

The following example shows how to use the `aio_error` and `aio_return` functions to track the progress of asynchronous write operations.

```
    :
return_value = aio_error(aiocbp);
if (return_value != EINPROGRESS) {

    total = aio_return(aiocbp);
    if (total == -1) {
        errno = return_value;
        perror("aio_read");
    }
}
    :
    :
```

In this example, the variable `total` receives the number of bytes read in the operation. This variable is then used to update the offset for the next read operation.

If you use list-directed asynchronous I/O, each asynchronous I/O operation in the list has an `aio_cb` structure and a unique `aio_cbp`.

7.2.4 Canceling I/O

Sometimes there is a need to cancel an asynchronous I/O operation after it has been issued. For example, there may be outstanding requests when a process exits, particularly if the application uses slow devices, such as terminals.

The `aio_cancel` function cancels one or more outstanding I/O requests against a specified file descriptor. The `aio_cbp` argument points to an `aio_cb` control block for a specified file descriptor. If the operation is successfully canceled, the error status indicates success. If, for some reason, the operation cannot be canceled, normal completion and notification take place.

The `aio_cancel` function can return one of the following values:

Value	Description
<code>AIO_ALLDONE</code>	Indicates that none of the requested operations could be canceled because they had already completed when the call to the <code>aio_cancel</code> function was made

Value	Description
AIO_CANCELED	Indicates that all requested operations were canceled
AIO_NOTCANCELED	Indicates that some of the requested operations could not be canceled because they were in progress when the call to the <code>aio_cancel</code> function was made

If the value of AIO_NOTCANCELED is returned, call the `aio_error` function and check the status of the individual operations to determine which ones were canceled and which ones could not be canceled.

7.2.5 Blocking to Completion

The `aio_suspend` function lets you suspend the calling process until at least one of the asynchronous I/O operations referenced by the `aio_cbp` argument has completed or until a signal interrupts the function. If the operation had completed when the call to the `aio_suspend` function was made, the function returns without suspending the calling process. Before using the `aio_suspend` function, your application must already have initiated an I/O request with a call to the `aio_read`, `aio_write`, `aio_fsync`, or `lio_listio` function.

7.2.6 Asynchronous File Synchronization

The `aio_fsync` function is similar to the `fsync` function; however, it executes in an asynchronous manner, in the same way that `aio_read` performs an asynchronous read.

The `aio_fsync` function requests that all I/O operations queued to the specified file descriptor at the time of the call to `aio_fsync` be forced to the synchronized I/O completion state. Unlike `fsync`, `aio_fsync` returns control to the calling process when the operation is initiated, rather than after the operation is complete. I/O operations that are subsequently initiated on the file descriptor are not guaranteed to be completed by any previous calls to `aio_fsync`.

Like the `aio_read` and `aio_write` functions, `aio_fsync` takes an `aio_cbp` value as an argument, which can then be used in subsequent calls to `aio_error` and `aio_return` in order to determine the error and return status of the asynchronous operation. In addition, the `aio_sigevent` member of `aio_cbp` can be used to define the signal to be generated when the operation is complete.

Note that the `aio_fsync` function will force to completion *all* I/O operations on the specified file descriptor, whether initiated by synchronous or asynchronous functions.

7.3 Asynchronous I/O to Raw Devices

You may have applications that, for enhanced performance, perform asynchronous I/O operations by reading to and writing from raw partitions instead of files. Tru64 UNIX provides the raw asynchronous I/O library, `libaio_raw`, for those applications that perform asynchronous I/O operations only to raw devices. When using this library, you are not required to link with `pthread`, `libmach`, or `libc_r`.

If you attempt to perform asynchronous I/O operations to a file when linked with `libaio_raw`, the request fails with an `ENOSYS` error (displayed by `perror` as "Function not implemented").

The general syntax for compiling and linking with `libaio_raw` is as follows:

```
% cc myprogram -laio_raw
```

7.4 Asynchronous I/O Examples

The examples in this section demonstrate the use of the asynchronous I/O functions. Example 7-1 uses the `aio` functions; Example 7-2 uses the `lio_listio` function.

7.4.1 Using the `aio` Functions

In Example 7-1, the input file (read synchronously) is copied to the output file (asynchronously) using the specified transfer size. A signal handler counts the number of completions, but is not required for the functioning of the program. A call to the `aio_suspend` function is sufficient.

Example 7-1: Using Asynchronous I/O

```
/*
 * Command line to build the program:
 * cc -o aio_copy aio_copy.c -laio -pthread
 */

/* * * * aio_copy.c * * * */

#include <unistd.h>
#include <aio.h>
#include <stdio.h>
#include <sys/types.h>
#include <sys/file.h>
#include <signal.h>
#include <errno.h>
#include <malloc.h>

#define BUF_CNT 2 /* number of buffers */

/* To run completion code in the signal handler, define the following: */
#define COMPLETION_IN_HANDLER

struct sigaction sig_act;
```

Example 7-1: Using Asynchronous I/O (cont.)

```
volatile int sigcnt = 0;
volatile int total = 0;

/* * * * Signal handler * * * */

/*^^^^^^^^^^^^^^^^^^^^^^^^^^^^^^^^^^^^^^^^^^^^^^^^^^^^^^^^^^^^*/
void sig_action(signo,info,context)
int signo;
siginfo_t *info;
void *context;
{
    printf("Entered sig_action\n");
    printf(" signo = %d \n",signo);
    printf(" si_code = %d \n",info->si_code);

#ifdef COMPLETION_IN_HANDLER
    printf(" si_value.sival_int = %d decimal\n",
        info->si_value.sival_int);
#else
    printf(" si_value.sival_ptr = %lx hex \n",info->si_value.sival_ptr);

    /* Call aio_error and aio_return from the signal handler.
     * Note that si_value is the address of the write aiocb.
     */
    while (aio_error((struct aiocb *)info->si_value.sival_ptr) ==
        EINPROGRESS);

    /* * * * Update total bytes written to set new file offset * * * */
    total += aio_return((struct aiocb *)info->si_value.sival_ptr);
#endif

/*^^^^^^^^^^^^^^^^^^^^^^^^^^^^^^^^^^^^^^^^^^^^^^^^^^^^^^^^^^^^*/
    sigcnt++;
    return;
}

void sig_handler(signo)
int signo;
{
/*^^^^^^^^^^^^^^^^^^^^^^^^^^^^^^^^^^^^^^^^^^^^^^^^^^^^^^^^^^^^*/
    printf("Entered sig_handler, signo = %d \n",signo);
/*^^^^^^^^^^^^^^^^^^^^^^^^^^^^^^^^^^^^^^^^^^^^^^^^^^^^^^^^^^^^*/
    sigcnt++;
    return;
}

/* * * * Main Routine * * * */

main(int argc, char **argv)
{
    int          in_file, out_file, rec_cnt = 0;
    typedef char *buf_p;
    buf_p        buf[BUF_CNT];
    aiocb_t      a_write;
    size_t       xfer_size;
    int          buf_index, ret;

    /* * * * Check number of input arguments * * * */

    if (argc < 4) {
```


Example 7–1: Using Asynchronous I/O (cont.)

```
/* * * * Check for end-of-file (won't have filled buffer) * * */
    if (buf_len <= 0)
        break;

/* * * * Set buffer up for next write * * * */

    a_write.aio_nbytes = buf_len;
    a_write.aio_buf = buf[buf_index];

/* if file is opened for append, can ignore offset field */

    a_write.aio_offset = total;
    ret = aio_write(&a_write);
    if (ret) { perror ("aio_write"); exit(ret); }

/* * * Update record count, and position to next buffer * * */

    rec_cnt++;
    buf_index ^= 1;
}

printf("total number of bytes written to output file = %d\n",total);

/* * * * Close files * * * */

close(in_file);
printf("Closed Input File\n");
close(out_file);
printf("Closed Output File\n");
printf("Copied: %d records, %d signals taken\n", rec_cnt, sigcnt);
}
```

7.4.2 Using the lio_listio Function

In Example 7–2, the input file is read synchronously to a specified number of output files (asynchronously) using the specified transfer size from the `lio_listio` function. After the list-directed I/O completes, it checks the return status and value for the write to each file and continues in a loop until the copy is complete.

Example 7–2: Using `lio_listio` in Asynchronous I/O

```
/*
 * Command line to build the program:
 * cc -o lio_copy lio_copy.c -non_shared -O0 -L/usr/ccs/lib \
 *     -laio -pthread
 */

/* * * * lio_copy.c * * * */

#include <unistd.h>
#include <aio.h>
#include <stdio.h>
```

Example 7–2: Using `lio_listio` in Asynchronous I/O (cont.)

```
#include <sys/types.h>
#include <sys/file.h>
#include <signal.h>
#include <errno.h>
#include <malloc.h>

#define FOR_EACH_FILE    for (i = 0; i < out_cnt; i++)

#define BUF_CNT 2      /* number of buffers */

/* * * * ----- Main Routine ----- * * * */

main(int argc, char **argv)
{
    register int    i, rec_cnt = 0, out_cnt = 0;
    char            outname[128], temp[8];
    int             in_file, out_file[AIO_LISTIO_MAX], len;
    typedef char    *buf_p;
    buf_p           buf[BUF_CNT];
    aiocb_t         a_write[AIO_LISTIO_MAX], *wait_list[AIO_LISTIO_MAX];
    size_t          xfer_size;
    int             buf_index, total[AIO_LISTIO_MAX], ret;
    struct sigevent lio_sigevent = {0,0};

    /* * * * Check the number of input arguments * * * */

    if (argc < 5) {
        fprintf(stderr, "Usage: %s in_file out_file buffsz-in-kb
            #-out-files\n", argv[0]);
        exit(0);
    }

    /* * * * Open the input file * * * */

    if ((in_file = open(argv[1], O_RDONLY)) == -1) {
        perror(argv[1]);
        exit(errno);
    }
    printf("\tOpened Input File %s\n", argv[1]);

    /* * * * Open the output files * * * */

    out_cnt = atoi(argv[4]);
    if ((out_cnt <= 0) || (out_cnt > AIO_LISTIO_MAX)) {
        fprintf(stderr, "Number of output files must be 1-%d.\n",
            AIO_LISTIO_MAX);
        exit(EINVAL);
    }

    outname[0] = '\0';
    len = strlen(argv[2]);
    strcpy(outname, argv[2]);

    FOR_EACH_FILE {
        sprintf(&outname[len], "%d", i);
        /*
         * If O_APPEND is added to flags, all writes will appear at
         * end
         */
        if ((out_file[i] = open(outname, O_WRONLY|O_CREAT, 0777))
            == -1) {
```

Example 7–2: Using `lio_listio` in Asynchronous I/O (cont.)

```
        perror(outname);
        exit(errno);
    }
    printf("\tOpened output file %s\n", outname);
}

/* * * * Calculate the transfer size (# bufs * 1024) * * * */
xfer_size = atol(argv[3]) * 1024;

/* * * * Allocate buffers for file copy * * * */

for (buf_index = 0; buf_index < BUF_CNT; buf_index++) {
    buf[buf_index] = (buf_p) malloc(xfer_size);
    if (buf[buf_index] == NULL) {
        perror("malloc");
        exit(1);
    }
}

buf_index = 0;

/* * * * Init the aio control blocks and wait list * * * */

FOR_EACH_FILE {
    a_write[i].aio_fildes = out_file[i];
    a_write[i].aio_lio_opcode = LIO_WRITE;
    a_write[i].aio_sigevent.sigev_signo = 0;
    wait_list[i] = &a_write[i];
    total[i] = 0;
}

/* * * * Copy from in_file to out_file * * * */

while (in_file != -1) {
    int buf_len;

    /* * * * Read the next buffer of information * * * */

    buf_len = read(in_file, buf[buf_index], xfer_size);

    if (rec_cnt) { /* will be >1 on all but the first write... */

        /* * * * Update the bytes written to set new offset * * * */

        FOR_EACH_FILE {
            errno = aio_error(&a_write[i]);
            ret = aio_return(&a_write[i]);
            if (ret == -1) {
                perror("Write error");
                exit(1);
            } else {
                total[i] += ret;
            }
        }
    }
}

/* * * * Check for end-of-file (won't have filled buffer) * * * */

if (buf_len <= 0)
    break;
```

Example 7–2: Using `lio_listio` in Asynchronous I/O (cont.)

```
/* * * * Set the buffer up for the next write * * * */

    FOR_EACH_FILE {
        a_write[i].aio_nbytes = buf_len;
        a_write[i].aio_buf = buf[buf_index];
        /* if opened for append, ignore offset field */
        a_write[i].aio_offset = total[i];
    }

    ret = lio_listio(LIO_WAIT, wait_list, out_cnt, &lio_sigevent);
    if (ret) /* report failure status, but don't exit yet */
        perror("lio_listio");

/* * * * Update record count, and position to next buffer * * * */

    buf_index ^= 1;
    rec_cnt++;
}

/* * * * Close the files * * * */

close(in_file);
printf("\tClosed input file\n");
FOR_EACH_FILE {
    close(out_file[i]);
}
printf("\tClosed output files\n");
printf("Copied %d records to %d files\n", rec_cnt * out_cnt, out_cnt);
}
```

Note

Use of the `printf` function in this example is for illustrative purposes (and potentially, debugging) only. You should avoid using `printf` and any similar functions in production signal handlers, because they can affect scheduling characteristics.

File Synchronization

By default, UNIX systems read from and write to a buffer cache that is kept in memory, and avoid actually transferring data to disk until the buffer is full or until the application calls a synchronization function to flush the buffer cache. For general-purpose applications, this practice increases performance by avoiding the relatively slow mechanical process of writing to disk more often than necessary.

However, realtime applications sometimes require input and output operations created specifically to support realtime requirements for timeliness and predictability:

- Asynchronous I/O, which frees the application to perform other tasks while input is written or read (see Chapter 7)
- Synchronized I/O, which performs a write or read operation and verifies its completion before returning

Synchronized I/O is useful when the integrity of data and files is critical to an application. Synchronized output assures that data that is written to a device is actually stored there. Synchronized input assures that data that is read from a device is a current image of data on that device.

Two levels of file synchronization are available:

- Data integrity
 - Write operations: Data in the buffer is transferred to disk, along with file system information necessary to retrieve the data.
 - Read operations: Any pending write operations relevant to the data being read complete with data integrity before the read operation is performed.
- File integrity
 - Write operations: Data in the buffer and all file system information related to the operation are transferred to disk.
 - Read operations: Any pending write operations relevant to the data being read complete with file integrity before the read operation is performed.

Tru64 UNIX supports POSIX 1003.1b file synchronization for the UFS and AdvFS file systems, as described in this chapter. However, use of the UFS file system is recommended for better realtime performance.

8.1 How to Ensure Data or File Integrity

You can ensure data integrity or file integrity at specific times by using function calls, or you can set file descriptor flags to force automatic file synchronization for each `read` or `write` call associated with that file.

Use of synchronized I/O may degrade system performance; see Chapter 11.

8.1.1 Using Function Calls

You can choose to write to buffer cache as usual, and call functions explicitly when you want the program to flush the buffer to disk. For instance, you may want to use the buffer cache when a lot of I/O is occurring, and call these functions when activity slows down. Two functions are available:

Function	Description
<code>fdatasync</code>	Flushes modified data only from the buffer cache, providing operation completion with data integrity
<code>fsync</code>	Flushes modified data and file control information from the buffer cache, providing operation completion with file integrity

See the online reference pages for a complete description of these functions.

8.1.2 Using File Descriptors

If you want to write data to disk in all cases automatically, you can set file descriptor flags to force this behavior instead of making explicit calls to `fdatasync` or `fsync`.

You can use the following file descriptor flags with the `open` or `fcntl` function:

Flag	Description
<code>O_DSYNC</code>	Forces data synchronization for each write operation. Example: <pre>fd = open("my_file", O_RDWR O_CREAT O_DSYNC, 0666);</pre>

Flag	Description
O_SYNC	Forces file and data synchronization for each write operation. Example: <pre>fd = open("my_file", O_RDWR O_CREAT O_SYNC, 0666);</pre>
O_RSYNC	When either of the other two flags is in effect, forces the same file synchronization level for each read as is in effect for each write. Use of O_RSYNC has no effect in the absence of O_DSYNC or O_SYNC. Examples: <pre>fd = open("my_file", O_RDWR O_CREAT O_SYNC O_RSYNC, 0666); fd = open("my_file", O_RDWR O_CREAT O_DSYNC O_RSYNC, 0666);</pre>

If both the O_DSYNC and O_SYNC flags are set using the `open` or `fcntl` function, O_SYNC takes precedence.

Restrictions

- The file descriptor method for POSIX 1003.1b file synchronization currently does not work for file truncation. If you set up I/O synchronization by specifying flags to `open` or `fcntl`, no synchronization occurs for file truncation operations.

You can use the `fsync` and `fdatasync` functions, described in Section 8.1.1, to explicitly synchronize file truncation operations.
- If the `fcntl` function is called with the F_GETFL operation requested, and the target file has the O_DSYNC file descriptor set, the return mask incorrectly indicates O_SYNC rather than O_DSYNC.

Semaphores

POSIX 1003.1b semaphores provide an efficient form of interprocess communication. Cooperating processes can use semaphores to synchronize access to resources, most commonly shared memory. Semaphores can also protect the following resources available to multiple processes from uncontrolled access:

- Global variables, such as file variables, pointers, counters, and data structures. Protecting these variables prevents simultaneous access by more than one process, such as reading information as it is being written by another process.
- Hardware resources, such as disk and tape drives. Hardware resources require controlled access because simultaneous access can result in corrupted data.

This chapter includes the following sections:

- Overview of Semaphores, Section 9.1
- The Semaphore Interface, Section 9.2
- Semaphore Example, Section 9.3

9.1 Overview of Semaphores

Semaphores are used to control access to shared resources by processes. Counting semaphores have a positive integral value representing the number of processes that can concurrently lock the semaphore.

There are named and unnamed semaphores. Named semaphores provide access to a resource between multiple processes. Unnamed semaphores provide multiple accesses to a resource within a single process or between related processes. Some semaphore functions are specifically designed to perform operations on named or unnamed semaphores.

The semaphore lock operation checks to see if the resource is available or is locked by another process. If the semaphore's value is a positive number, the lock is made, the semaphore value is decremented, and the process continues execution. If the semaphore's value is zero or a negative number, the process requesting the lock waits (is blocked) until another process unlocks the resource. Several processes may be blocked waiting for a resource to become available.

The semaphore unlock operation increments the semaphore value to indicate that the resource is not locked. If a process is waiting, it is unblocked and it accesses the resource. Each semaphore keeps count of the number of processes waiting for access to the resource.

Semaphores are global entities and are not associated with any particular process. In this sense, semaphores have no owners, making it impossible to track semaphore ownership for any purpose, such as error recovery.

Semaphore protection works only if all the processes using the shared resource cooperate by waiting for the semaphore when it is unavailable and by incrementing the semaphore value when relinquishing the resource. Because semaphores lack owners, there is no way to determine whether one of the cooperating processes has become uncooperative. Applications using semaphores must carefully detail cooperative tasks. All of the processes that share a resource must agree on which semaphore controls the resource.

POSIX 1003.1b semaphores are persistent. The value of the individual semaphore is preserved after the semaphore is no longer open. For example, a semaphore may have a value of 3 when the last process using the semaphore closes it. The next time a process opens that semaphore, it will find that the semaphore has a value of 3. For this reason, cleanup operations are advised when using semaphores.

Note that because semaphores are persistent, you should call the `sem_unlink` function after a system reboot. After calling `sem_unlink`, call the `sem_open` function to establish new semaphores.

The semaphore descriptor is inherited across a `fork`. A parent process can create a semaphore, open it, and `fork`. The child process does not need to open the semaphore and can close the semaphore if the application is finished with it.

9.2 The Semaphore Interface

The following functions allow you to create and control P1003.1b semaphores:

Function	Description
<code>sem_close</code>	Deallocates the specified named semaphore
<code>sem_destroy</code>	Destroys an unnamed semaphore
<code>sem_getvalue</code>	Gets the value of a specified semaphore
<code>sem_init</code>	Initializes an unnamed semaphore
<code>sem_open</code>	Opens/creates a named semaphore for use by a process
<code>sem_post</code>	Unlocks a locked semaphore

Function	Description
<code>sem_trywait</code>	Performs a semaphore lock on a semaphore only if it can lock the semaphore without waiting for another process to unlock it
<code>sem_unlink</code>	Removes a specified named semaphore
<code>sem_wait</code>	Performs a semaphore lock on a semaphore

You create an unnamed semaphore with a call to the `sem_init` function, which initializes a counting semaphore with a specific value. To create a named semaphore, call `sem_open` with the `O_CREAT` flag specified. The `sem_open` function establishes a connection between the named semaphore and a process.

You lock and unlock semaphores with calls to the `sem_wait`, `sem_trywait`, and `sem_post` functions. You use these functions for named and unnamed semaphores. To retrieve the value of a counting semaphore, use the `sem_getvalue` function.

When the application is finished with an unnamed semaphore, the semaphore name is destroyed with a call to `sem_destroy`. To deallocate a named semaphore, call the `sem_close` function. The `sem_unlink` function removes a named semaphore. The semaphore is removed only when all processes using the semaphore have deallocated it using the `sem_close` function.

9.2.1 Creating and Opening a Semaphore

A call to the `sem_init` function creates an unnamed counting semaphore with a specific value. If you specify a nonzero value for the *pshared* argument, the semaphore can be shared between processes. If you specify the value zero, the semaphore can be shared among threads of the same process.

The `sem_open` function establishes a connection between a named semaphore and the calling process. Two flags control whether the semaphore is created or only accessed by the call. Set the `O_CREAT` flag to create a semaphore if it does not already exist. Set the `O_EXCL` flag and the `O_CREAT` flag to indicate that the call to `sem_open` should fail if the semaphore already exists.

Subsequent to creating a semaphore with either `sem_init` or `sem_open`, the calling process can reference the semaphore by using the semaphore descriptor address returned from the call. The semaphore is available in subsequent calls to the `sem_wait`, `sem_trywait`, and `sem_post` functions, which control access to the shared resource. You can also retrieve the semaphore value by calls to `sem_getvalue`.

If your application consists of multiple processes that will use a named semaphore to synchronize access to a shared resource, each of these processes must first open the semaphore with a call to the `sem_open` function. After the initial call to the `sem_open` function that creates the semaphore, each cooperating process must also call the `sem_open` function and specify the same semaphore name. If all cooperating processes are in the same working directory, specifying just a name may be sufficient. If the processes are contained in different working directories, you must specify a full pathname. It is strongly recommended that a full pathname be used, such as `/tmp/mysem1`. The directory must exist for the call to succeed.

On the first call to the `sem_init` or `sem_open` function, the semaphore is initialized to the value specified in the call.

The following example initializes an unnamed semaphore with a value of 5, which can be shared among related processes:

```
#include <sys/types.h>
#include <stdio.h>
#include <errno.h>
#include <unistd.h>
#include <semaphore.h>
:
:

sem_t  mysem;
int    pshared = TRUE;
unsigned int value = 5;
int    sts;
:
:

sts = sem_init(&mysem, pshared, value);
if (sts) {
    perror("sem_init() failed");
}
```

The following example creates a semaphore named `/tmp/mysem` with a value of 3:

```
#include <sys/types.h>
#include <stdio.h>
#include <errno.h>
#include <fcntl.h>
#include <unistd.h>
#include <sys/mman.h>
#include <semaphore.h>
#include <sys/stat.h>
:
:

sem_t  *mysemp;
```

```

int      oflag = O_CREAT;
mode_t  mode = 0644;
const char semname[] = "/tmp/mysem"
unsigned int value = 3;
int      sts;
:

mysem = sem_open(semname, oflag, mode, value);
if (mysem == (void *)-1) {
    perror(sem_open() failed ");
}

```

To access a previously created semaphore, a process must call the `sem_open` function using the name of the semaphore.

To determine the value of a previously created semaphore, use the `sem_getvalue` function. Pass the semaphore and the location for storing the value to the function; it returns the value of the semaphore specified when the `sem_init` or `sem_open` function was called.

The name of a named semaphore remains valid until you remove the semaphore with a call to the `sem_unlink` function.

9.2.2 Locking and Unlocking Semaphores

After you create the semaphore with a call to the `sem_init` or `sem_open` function, you can use the `sem_wait`, `sem_trywait`, and `sem_post` functions to lock and unlock the semaphore.

Using semaphores to share resources among processes works only if processes unlock a resource immediately after they finish using it. As you code your application, do not attempt to unlock a semaphore you did not previously lock.

To lock a semaphore, you can use either the `sem_wait` or `sem_trywait` function. If the semaphore value is greater than zero, the `sem_wait` function locks the specified semaphore. If the semaphore value is less than or equal to zero, the process is blocked (sleeps) and must wait for another process to release the semaphore and increment the semaphore value.

To be certain that the process is not blocked while waiting for a semaphore to become available, use the `sem_trywait` function. The `sem_trywait` function will lock the specified semaphore if, and only if, it can do so without waiting. That is, the specified semaphore must be available at the time of the call to the `sem_trywait` function. If not, the `sem_trywait` function returns a `-1` and `errno` is set to `EAGAIN`.

Example 9-1 locks a semaphore by using the `sem_trywait` function.

Example 9–1: Locking a Semaphore

```
⋮
int  oflag = 0; /* Open an existing semaphore;
                do not create a new one */
⋮

mysem = sem_open(semname, oflag, mode, value);
if (mysem == (void *)-1) {
    perror(sem_open() failed ");
}

sts = sem_trywait(mysem);

if (sts == 0)
    printf("sem_trywait() succeeded!\n");
else if (errno == EAGAIN)
    printf("semaphore is locked\n");
else
    perror("sem_trywait() failure");
```

The `sem_post` function unlocks the specified semaphore. Any process with access to the semaphore can call the `sem_post` function and unlock a semaphore. If more than one process is waiting for the semaphore, the highest-priority process is allowed access to the semaphore first.

9.2.3 Priority Inversion with Semaphores

Process priority inversion can occur when you use a semaphore to lock a resource shared by processes of different priorities. For example, if a running process of low priority locks a semaphore to control access to a resource and then a higher-priority process runs and requests access to the same resource, the higher-priority process blocks and waits for the semaphore to be unlocked. If the low-priority process is then preempted by a medium-priority process, it cannot unlock the semaphore. The higher-priority process could remain blocked indefinitely while lower-priority processes run in its place.

Because semaphores are global in nature and lack owners, they offer no mechanism for priority inheritance. Semaphore locks are taken and released without regard for requestor process priorities. Be careful when designing the use of semaphores in your application.

9.2.4 Closing a Semaphore

When an application is finished using an unnamed semaphore, it should destroy the semaphore with a call to the `sem_destroy` function.

For named semaphores, the application should first deallocate the semaphore by having each cooperating process call the `sem_close` function, which disassociates the semaphore name from the calling process. The application then removes the named semaphore using the `sem_unlink` function, which takes effect when all processes using the semaphore have deallocated the semaphore with calls to `sem_close`. Or, instead of removing the named semaphore, you can reopen the semaphore for use through a call to the `sem_open` function. Because semaphores are persistent, the state of the semaphore is preserved, even though the semaphore is closed. When you reopen the semaphore, it will be in the state it was in when it was closed, unless altered by another process.

As with other interprocess communication methods, you can set up a signal handler to remove the semaphore as one of the tasks performed by the last process in your application.

When the controlling process is finished using an unnamed semaphore, remove the semaphore from memory as follows:

```
/*
 * Removing unnamed semaphore
 */
:
sts = sem_destroy(&mysem);
```

When the controlling process is finished using a named semaphore, close and unlink the semaphore as follows:

```
/*
 * Closing named semaphore and then unlinking it
 */
:
sts = sem_close(mysemp);
sts = sem_unlink(semname);
```

9.3 Semaphore Example

It is important that two processes not write to the same area of shared memory at the same time. Semaphores protect access to resources, such as shared memory. Before writing to a shared-memory region, a process can lock the semaphore to prevent another process from accessing the region until the write operation is completed. When the process is finished with the shared-memory region, the process unlocks the semaphore and frees the shared-memory region for use by another process.

Example 9–2 consists of two programs, both of which open the shared-memory object. The two processes, writer and reader, use semaphores to ensure that they have exclusive, alternating access to a shared memory region.

The `writer.c` program creates the semaphore with a call to the `sem_open` function. The `reader.c` program opens the semaphore previously created by the `writer.c` program. Because the `writer.c` program creates the semaphore, `writer.c` must be executed before `reader.c`.

Example 9–2: Using Semaphores and Shared Memory

```
/*
** These examples use semaphores to ensure that writer and reader
** processes have exclusive, alternating access to the shared-memory region.
*/

/***** writer.c *****/

#include <unistd.h>
#include <semaphore.h>
#include <errno.h>
#include <sys/types.h>
#include <sys/mman.h>
#include <sys/stat.h>
#include <sys/fcntl.h>

char shm_fn[] = "my_shm";
char sem_fn[] = "my_sem";

/**** WRITER ****/

main(){
    caddr_t shmptr;
    unsigned int mode;
    int shmdes, index;
    sem_t *semdes;
    int SHM_SIZE;

    mode = S_IRWXU|S_IRWXG;

    /* Open the shared-memory object */

    if ( (shmdes = shm_open(shm_fn,O_CREAT|O_RDWR|O_TRUNC, mode)) == -1 ) {
        perror("shm_open failure");
        exit();
    }

    /* Preallocate a shared-memory area */

    SHM_SIZE = sysconf(_SC_PAGE_SIZE);

    if(fttruncate(shmdes, SHM_SIZE) == -1){
        perror("fttruncate failure");
        exit();
    }

    if((shmptr = mmap(0, SHM_SIZE, PROT_WRITE|PROT_READ, MAP_SHARED,
                     shmdes,0)) == (caddr_t) -1){
        perror("mmap failure");
        exit();
    }
}
```

Example 9–2: Using Semaphores and Shared Memory (cont.)

```
    }

    /* Create a semaphore in locked state */
    sem_des = sem_open(sem_fn, O_CREAT, 0644, 0);

    if(sem_des == (void*)-1){
        perror("sem_open failure");
        exit();
    }

    /* Access to the shared-memory area */

    for(index = 0; index < 100; index++){
        printf("write %d into the shared memory shmptr[%d]\n", index*2, index);
        shmptr[index]=index*2;
    }

    /* Release the semaphore lock */

    sem_post(semdes);
    munmap(shmptr, SHM_SIZE);

    /* Close the shared-memory object */

    close(shmdes);

    /* Close the Semaphore */

    sem_close(semdes);

    /* Delete the shared-memory object */

    shm_unlink(sem_fn);
}

/*****
*****

/***** reader.c *****/

#include <sys/types.h>
#include <sys/mman.h>
#include <semaphore.h>
#include <errno.h>
#include <sys/stat.h>
#include <sys/fcntl.h>

char shm_fn[] = "my_shm";
char sem_fn[] = "my_sem";

/**** READER ****/

main(){
    caddr_t shmptr;
    int shmdes, index;
    sem_t *semdes;
    int SHM_SIZE;

    /* Open the shared-memory object */
```

Example 9–2: Using Semaphores and Shared Memory (cont.)

```
SHM_SIZE = sysconf(_SC_PAGE_SIZE);

if ( (shmdes = shm_open(shm_fn, O_RDWR, 0)) == -1 ) {
    perror("shm_open failure");
    exit();
}

if((shmptr = mmap(0, SHM_SIZE, PROT_WRITE|PROT_READ, MAP_SHARED,
    shmdes,0)) == (caddr_t) -1){
    perror("mmap failure");
    exit();
}

/* Open the Semaphore */

semdes = sem_open(sem_fn, 0, 0644, 0);

if(semdes == (void*) -1){
    perror("sem_open failure");
    exit();
}

/* Lock the semaphore */

if(!sem_wait(semdes)){

    /* Access to the shared-memory area */

    for(index = 0; index < 100; index++)
        printf("The shared memory shmptr[%d] = %d\n", index,shmptr[index]);

    /* Release the semaphore lock */

    sem_post(semdes);
}

munmap(shmptr, SHM_SIZE);

/* Close the shared-memory object */

close(shmdes);

/* Close the Semaphore */

sem_close(semdes);
sem_unlink(sem_fn);
}
```

10

Messages

Message queues work by exchanging data in buffers. Any number of processes can communicate through message queues, regardless of whether they are related; if a process has adequate access permission, it can send or receive messages through the queue. Message notification can be synchronous or asynchronous. Message queues can store multiple messages, be accessed by multiple processes, be read in any order, and be prioritized according to application needs.

This chapter includes the following sections:

- Message Queues, Section 10.1
- The Message Interface, Section 10.2
- Message Queue Examples, Section 10.3

10.1 Message Queues

The POSIX 1003.1b message-passing facilities provide a deterministic, efficient means for interprocess communication (IPC). Realtime message passing is designed to work with shared memory in order to accommodate the needs of realtime applications to pass arbitrary amounts of data between cooperating processes. Predictability is the primary emphasis behind the design for realtime message passing.

Cooperating processes can send and receive messages by accessing systemwide message queues. These message queues are accessed through names that may be pathnames.

The maximum size of each message is defined by the system to optimize the message sending and receiving functions. Message buffers are preallocated, ensuring the availability of resources when they are needed.

If your application involves heavy message traffic, you can prioritize the order in which processes receive messages by assigning a priority to the message or by controlling the priority of the receiving process.

Asynchronous notification of the availability of a message on a queue allows a process to do useful work while waiting to receive a message.

Message-passing operations that contribute to kernel overhead have been eliminated in the realtime message queue interface. If your application

requires the ability to wait on multiple message queues simultaneously or to broadcast a single message to multiple queues, you may need to write this functionality into your application.

10.2 The Message Interface

The message queue interface is a set of structures and data that allows you to use a message queue for sending and receiving messages. The message queue is a linked list that serves as a holding place for messages being sent to and received by processes sharing access to the message queue.

The following POSIX 1003.1b message queue functions allow you controlled access to messaging operations on a message queue:

Function	Description
<code>mq_close</code>	Closes a message queue
<code>mq_getattr</code>	Retrieves the attributes of a message queue
<code>mq_notify</code>	Requests that a process be notified when a message is available on a queue
<code>mq_open</code>	Opens a message queue
<code>mq_receive</code>	Receives a message from a queue
<code>mq_send</code>	Sends a message to a queue
<code>mq_setattr</code>	Sets the attributes of a message queue
<code>mq_unlink</code>	Removes a message queue

General usage for message queues is as follows:

1. Get a message queue descriptor with a call to the `mq_open` function.
2. Send and receive messages with calls to the `mq_send` and `mq_receive` functions.
3. Close the message queue with a call to the `mq_close` function.
4. Remove the message queue with a call to the `mq_unlink` function.

Data written to a message queue created by one process is available to all processes that open the same message queue. Message queues are persistent; once unlinked, their names and contents remain until all processes that have opened the queue call the `mq_close` function. Child processes inherit the message queue descriptor created by the parent process. When the message queue is opened, the child process can read or write to it according to access permissions. Unrelated processes can also use the message queue, but must first call the `mq_open` function to establish the connection.

You can identify message queue attributes with a call to the `mq_getattr` function. You can specify whether the message operation is blocking or nonblocking by calling the `mq_setattr` function.

A call to the `mq_receive` function receives the oldest, highest-priority message on the queue. If two or more processes are waiting for an incoming message on the same queue, the process with the highest priority that has been waiting the longest receives the next message.

Often message queues are created and used only while an application is executing. The `mq_unlink` function removes (deletes) the message queue and its contents, unless processes still have the queue open. The message queue is deleted only when all processes using it have closed the queue.

10.2.1 Opening a Message Queue

To set up a message queue, first create a new message queue or open an existing queue using the `mq_open` function. If a message queue of the specified name does not already exist, a new message queue is allocated and initialized. If one already exists, the `mq_open` function checks permissions.

A process can create and open message queues early in the life of the application. Use the `mq_open` function to open (establish a connection to) a message queue. After a process opens the message queue, each process that needs to use it must call the `mq_open` function specifying the same pathname.

The `mq_open` function provides a set of flags that prescribe the characteristics of the message queue for the process and define access modes for the message queue. Message queue access is determined by the OR of the file status flags and access modes listed in Table 10–1.

Table 10–1: Status Flags and Access Modes for the `mq_open` Function

Flag	Description
<code>O_RDONLY</code>	Open for read access only
<code>O_WRONLY</code>	Open for write access only
<code>O_RDWR</code>	Open for read and write access
<code>O_CREAT</code>	Create the message queue, if it does not already exist
<code>O_EXCL</code>	When used with <code>O_CREAT</code> , create the message queue, if it does not already exist; however, if a message queue of the same name already exists, do not open it
<code>O_NONBLOCK</code>	Determine whether a send or receive operation is blocking or nonblocking

The first process to call the `mq_open` function should use the `O_CREAT` flag to create the message queue, to set the queue's user ID to that of the calling process, and to set the queue's group ID to the effective group ID of the calling process. This establishes an environment whereby the calling process, all cooperating processes, and child processes share the same effective group ID with the message queue. All processes that subsequently open the message queue must have the same access permission as the creating process.

Each process that uses a message queue must begin by calling the `mq_open` function. This call can accomplish several objectives:

- Create and open the message queue, if it does not yet exist (specify the `O_CREAT` flag).
- Open an existing message queue.
- Attempt to create and open the queue but fail if the queue already exists (specify both the `O_CREAT` and `O_EXCL` flags).
- Open access to the queue for the calling process and establish a connection between the queue and a descriptor. All threads within the same process using the queue use the same descriptor.
- Specify the access mode for the process:
 - Read only
 - Write only
 - Read/write
- Specify whether the process will block or fail when unable to send a message (the queue is full) or receive a message (the queue is empty) with the `oflags` argument.

The `mode` bit is checked to determine if the caller has permission for the requested operation. If the calling process is not the owner and is not in the group, the `mode` bits must be set for world access before permission is granted. In addition, the appropriate access bits must be set before an operation is performed. That is, to perform a read operation, the read bit must be set.

For example, the following code creates a message queue and, if it does not already exist, opens it for read and write access:

```
fd = mq_open("new_queue", (O_CREAT|O_EXCL|O_RDWR));
```

When a message queue is created, its name and resources are persistent. It exists until the message queue is unlinked with a call to the `mq_unlink` function and all other references to the queue are gone.

The message flag parameter is either 0 or `O_NONBLOCK`. If you specify 0, then a sending process sleeps if the specified queue is full and the

message cannot be sent. The process will sleep until other messages have been removed from the queue and space becomes available. If you specify `O_NONBLOCK`, the `mq_send` function returns immediately with an error status.

Example 10–1 shows the code sequence to establish a connection to a message queue descriptor.

Example 10–1: Opening a Message Queue

```
#include <unistd.h>
#include <sys/types.h>
#include <mqqueue.h>
#include <fcntl.h>

main ()
    int md;
    int status;

/* Create message queue */

    md = mq_open ("my_queue", O_CREAT|O_RDWR);

/*
 * Code to close and unlink the message queue goes here
 */
    status = mq_close(md);          /* Close message queue */
    status = mq_unlink("my_queue"); /* Unlink message queue */
```

Use the same access permissions that you would normally use on a call to the file open function. If you intend to only read the queue, specify read permission only on the `mq_open` function. If you intend to read and write to the queue, open the queue with both read and write permissions.

When finished using a message queue, close the queue with the `mq_close` function, and remove the queue by calling the `mq_unlink` function.

10.2.2 Sending and Receiving Messages

For an application in which the intended recipients of messages might be ambiguous because they all use a single message queue, you can establish multiple queues. In some cases, you may need to provide a separate queue for each process that receives a message. Two processes that carry on two-way communication between them normally require two message queues:

- Process X sends messages to queue A; process Y receives from it
- Process Y sends messages to queue B; process X receives from it

Use of a single queue by multiple processes could be appropriate for an application that collects and processes data. Consider an application that consists of five processes that monitor data points and a sixth process that accumulates and interprets the data. Each of the five monitoring processes could send information to a single message queue. The sixth process could receive the messages from the queue, with assurance that it is receiving information according to the specified priorities of the incoming messages, in first-in/first-out order within each priority.

When a process receives a message from a queue, it removes that message from the queue. Therefore, an application that requires one process to send the same message to several other processes should choose one of the following communication methods:

- Set up a message queue for each receiving process, and send each message to each queue
- Communicate by using signals and shared memory

After you open a message queue, you can send messages to another process using the `mq_send` function. The `mq_send` function takes four parameters: the message queue descriptor, a pointer to a message buffer, the size of the buffer, and the message priority. The read/write permissions are checked along with the length of the message, the status of the message queue, and the message flag. If all checks are successful, the message is added to the message queue. If the queue is already full, the sending process can block until space in the queue becomes available, or it can return immediately, according to whether it set the `O_NONBLOCK` flag when it called the `mq_open` function.

When a message has been placed on a queue, you can retrieve the message with a call to the `mq_receive` function. The `mq_receive` function includes four parameters: the message queue descriptor, a pointer to a buffer to hold the incoming message, the size of the buffer, and the priority of the message received (the priority is returned by the function). The size of the buffer must be at least the size of the message queue's size attribute.

As with the `mq_send` function, the read/write operation permissions are checked on a call to the `mq_receive` function. If more than one process is waiting to receive a message when a message arrives at an empty queue, then the process with the highest priority that has been waiting the longest is selected to receive the message.

When a process uses the `mq_receive` function to read a message from a queue, the queue may be empty. The receiving process can block until a message arrives in the queue, or it can return immediately, according to the state of the `O_NONBLOCK` flag established with a preceding call to the `mq_open` function.

10.2.3 Asynchronous Notification of Messages

A process that wants to read a message from a message queue has three options:

- Set the queue to blocking mode and wait for a message to be received by calling `mq_receive`
- Set the queue to nonblocking mode and call `mq_receive` multiple times until a message is received
- Set the queue to nonblocking mode and call `mq_notify` specifying a signal to be sent when the queue goes from empty to nonempty

The last option is a good choice for a realtime application. Use the `mq_notify` function to register a request for asynchronous notification by a signal when a message becomes available on a previously empty queue. The process can then do useful work until a message arrives, at which time a signal is sent according to the signal information specified in the *notification* argument of the `mq_notify` function. After notification, the process can call `mq_receive` to receive the message.

Only one notification request at a time is allowed per message queue descriptor. The previous notification request is canceled when another signal is sent; thus, the request must be reregistered by calling `mq_notify` again.

10.2.4 Prioritizing Messages

A process can control the relative priority of messages it sends to a specified queue by setting the *msg_prio* parameter in the `mq_send` function.

If *msg_prio* is specified on the `mq_send` function, the message is inserted into the message queue according to its priority relative to other messages on the queue. A message with a larger numeric value (higher priority) is inserted into the queue before messages with a lower numeric value. The `mq_receive` function always returns the first message on the queue, so if you assign higher priorities to messages of higher importance, you can receive the most important messages first. If you assign lower priorities to less important messages, you can delay delivery of the messages as more important messages are sent. Messages of equal priority are inserted in a first-in/first-out manner. The ability to assign priorities to messages on the queue reduces the possibility of priority inversion in the realtime messaging interface.

10.2.5 Using Message Queue Attributes

Use the `mq_getattr` function to determine the message queue attributes of an existing message queue. The attributes are as follows:

Attribute	Description
<code>mq_flags</code>	The message queue flags
<code>mq_maxmsg</code>	The maximum number of messages allowed
<code>mq_msgsize</code>	The maximum message size allowed for the queue
<code>mq_curmsgs</code>	The number of messages on the queue

The `mq_curmsgs` attribute describes the current queue status. If necessary, call the `mq_setattr` function to reset the flags. The `mq_maxmsg` and `mq_msgsize` attributes cannot be modified after the initial queue creation. The `mqqueue.h` header file contains information concerning systemwide maximums and other limits pertaining to message queues.

10.2.6 Closing and Removing a Message Queue

Each process that uses a message queue should close its access to the queue by calling the `mq_close` function before exiting. When all processes using the queue have called this function, the software removes the queue.

A process can remove a message queue by calling the `mq_unlink` function. However, if other processes still have the message queue open, the `mq_unlink` function returns immediately and destruction of the queue is postponed until all references to the queue have been closed.

10.3 Message Queue Examples

Example 10–2 creates a message queue and sends a loop of messages. The message queue is created using `O_CREAT`.

Example 10–2: Using Message Queues to Send Data

```
/*
 * test_send.c
 *
 * This test goes with test_receive.c.
 * test_send.c does a loop of mq_sends,
 * and test_receive.c does a loop of mq_receives.
 */
#include <unistd.h>
#include <sys/types.h>
#include <stdio.h>
#include <sys/time.h>
#include <sys/resource.h>
#include <time.h>
#include <sched.h>
#include <sys/mman.h>
```

Example 10–2: Using Message Queues to Send Data (cont.)

```
#include <sys/fcntl.h>
#include <signal.h>
#include <sys/rt_syscall.h>
#include <mqueue.h>
#include <errno.h>

#define PMODE 0666
extern int errno;

int main()
{
    int i;
    int status = 0;
    mqd_t mqfd;
    char msg_buffer[P4IPC_MSGSIZE];
    struct mq_attr attr;
    int open_flags = 0;
    int num_bytes_to_send;
    int priority_of_msg;

    printf("START OF TEST_SEND \n");

    /* Fill in attributes for message queue */
    attr.mq_maxmsg = 20;
    attr.mq_msgsize = P4IPC_MSGSIZE;
    attr.mq_flags = 0;

    /* Set the flags for the open of the queue.
     * Make it a blocking open on the queue, meaning it will block if
     * this process tries to send to the queue and the queue is full.
     * (Absence of O_NONBLOCK flag implies that the open is blocking)
     *
     * Specify O_CREAT so that the file will get created if it does not
     * already exist.
     *
     * Specify O_WRONLY since we are only planning to write to the queue,
     * although we could specify O_RDWR also.
     */
    open_flags = O_WRONLY|O_CREAT;

    /* Open the queue, and create it if the receiving process hasn't
     * already created it.
     */
    mqfd = mq_open("myipc", open_flags, PMODE, &attr);
    if (mqfd == -1)
    {
        perror("mq_open failure from main");
        exit(0);
    };

    /* Fill in a test message buffer to send */
    msg_buffer[0] = 'P';
    msg_buffer[1] = 'R';
    msg_buffer[2] = 'I';
    msg_buffer[3] = 'O';
    msg_buffer[4] = 'R';
    msg_buffer[5] = 'I';
    msg_buffer[6] = 'T';
    msg_buffer[7] = 'Y';
    msg_buffer[8] = '1';
    msg_buffer[9] = 'a';
}
```

Example 10–2: Using Message Queues to Send Data (cont.)

```
num_bytes_to_send = 10;
priority_of_msg = 1;

/* Perform the send 10 times */
for (i=0; i<10; i++)
{
    status = mq_send(mqfd, msg_buffer, num_bytes_to_send, priority_of_msg);
    if (status == -1)
        perror("mq_send failure on mqfd");
    else
        printf("successful call to mq_send, i = %d\n", i);
}

/* Done with queue, so close it */
if (mq_close(mqfd) == -1)
    perror("mq_close failure on mqfd");

printf("About to exit the sending process after closing the queue \n");
}
```

Example 10–3 creates a message queue and receives a loop of messages. The message queue is created using `O_CREAT`.

Example 10–3: Using Message Queues to Receive Data

```
/*
 * test_receive.c
 *
 * This test goes with test_send.c.
 * test_send.c does a loop of mq_sends,
 * and test_receive.c does a loop of mq_receives.
 */
#include <unistd.h>
#include <sys/types.h>
#include <stdio.h>
#include <sys/time.h>
#include <sys/resource.h>
#include <time.h>
#include <sched.h>
#include <sys/mman.h>
#include <sys/fcntl.h>
#include <signal.h>
#include <sys/rt_syscall.h>
#include <mqueue.h>
#include <errno.h>

#define PMODE 0666
extern int errno;

int main()
{
    int i;
    mqd_t mqfd;
    /* Buffer to receive msg into */
    char msg_buffer[PATH_MAX];
    struct mq_attr attr;
    int open_flags = 0;
```

Example 10–3: Using Message Queues to Receive Data (cont.)

```
ssize_t num_bytes_received = 0;
msg_buffer[10] = 0; /* For printing a null terminated string for testing */

printf("START OF TEST_RECEIVE \n");

/* Fill in attributes for message queue */
attr.mq_maxmsg = 20;
attr.mq_msgsize = P4IPC_MSGSIZE;
attr.mq_flags = 0;

/* Set the flags for the open of the queue.
 * Make it a blocking open on the queue,
 * meaning it will block if this process tries to
 * send to the queue and the queue is full.
 * (Absence of O_NONBLOCK flag implies that
 * the open is blocking)
 *
 * Specify O_CREAT so that the file will get
 * created if it does not already exist.
 *
 * Specify O_RDONLY since we are only
 * planning to write to the queue,
 * although we could specify O_RDWR also.
 */
open_flags = O_RDONLY|O_CREAT;

/* Open the queue, and create it if the sending process hasn't
 * already created it.
 */
mqfd = mq_open("myipc",open_flags,PMODE,&attr);
if (mqfd == -1)
{
    perror("mq_open failure from main");
    exit(0);
};

/* Perform the receive 10 times */
for (i=0;i<10;i++)
{
    num_bytes_received = mq_receive(mqfd,msg_buffer,P4IPC_MSGSIZE,0);
    if (num_bytes_received == -1)
    {
        perror("mq_receive failure on mqfd");
    }
    else
        printf("data read for iteration %d = %s \n",i,msg_buffer);
}

/* Done with queue, so close it */
if (mq_close(mqfd) == -1)
    perror("mq_close failure on mqfd");

/* Done with test, so unlink the queue,
 * which destroys it.
 * You only need one call to unlink.
 */
if (mq_unlink("myipc") == -1)
    perror("mq_unlink failure in test_ipc");
```

Example 10–3: Using Message Queues to Receive Data (cont.)

```
printf("Exiting receiving process after closing and unlinking queue \n");  
}
```

Realtime Performance and System Tuning

Chapter 1 describes the basic issues that concern a realtime application, and what services a realtime operating system can provide to users to help meet their realtime needs. It mainly describes issues within the scope of the user's application code itself, such as how to set priority and scheduling priorities, how to lock down process memory, and how to use asynchronous I/O. Chapter 1 also discusses the value of a preemptive kernel in reducing the process preemption latency of a realtime application.

This chapter explores more deeply the latency issues of a system and how they affect the realtime performance of an application. This involves a greater understanding of the interaction of the application with the underlying UNIX system, and with devices involved directly or indirectly with the application. Section 11.2 outlines some ways that a user can improve application performance.

11.1 Realtime Responsiveness

Realtime applications require a predictable response time to external events, such as device interrupts. A typical realtime application involves:

- An interrupt-generating device
- An interrupt service routine that collects data from the device
- User-level code that processes the collected data

Realtime responsiveness is a characterization of how quickly an operating system and an application, working together, can respond to external events. One way of measuring responsiveness is through a system's **latency**. Latency is the time it takes for hardware and the operating system to respond to external events, expressed as a delay time. Understanding the causes of high latency and minimizing their effects is a key to successful realtime program design, and is the focus of this chapter.

Two types of latency are described in the following sections:

- Interrupt service routine (ISR) latency
- Process dispatch latency (PDL)

11.1.1 Interrupt Service Routine Latency

A system's interrupt service routine (ISR) latency is the elapsed time from when an interrupt occurs until execution of the first instruction in the interrupt service routine. The system must first recognize that an interrupt has occurred, and then dispatch to the ISR code. If critical postprocessing is done in the ISR, then the user must be concerned with completion time of the ISR code, not just the time it takes to begin execution of its first instruction. Thus there are two concerns: ISR latency and ISR execution. There are factors that cause ISR latency and ISR execution to vary in duration, and these factors make it more difficult to assign latency a deterministic value.

The most important factor is the relative interrupt priority level (IPL) at which the ISR executes. When other ISRs of equal or greater interrupt priority level are running at the time that the realtime device interrupts, the realtime device ISR is blocked from running until the current ISR is finished.

Potentially, multiple ISRs could be waiting to execute that have an equal or higher IPL at the time of the realtime interrupt, and all will hold off the realtime ISR until they complete. In addition, after the realtime ISR begins running, it can be preempted or held off by one or more devices of higher IPL, and the realtime ISR will be delayed by the collective duration of these ISRs. Thus, it is important to know the relative IPLs of all the devices that could potentially interrupt during critical realtime processing, including system-provided devices, such as a network driver or disk driver.

11.1.2 Process Dispatch Latency

Process Dispatch Latency (PDL) is the time it takes from when an interrupt occurs until a process that was blocked waiting on the interrupt executes. Process dispatch latency includes:

- ISR latency
- ISR execution time
- Time required to return from the ISR
- Time required for the context switch back to the process-level code that is waiting on the interrupt

Many other factors can potentially increase the process dispatch latency of a realtime application. Any process that is currently executing code that holds a simple lock, that is funneled to the master process, or that has its IPL raised, will not be preemptable by the realtime process and thus will hold off the realtime process from running. (Note that a user process cannot hold a simple lock, be funneled to the master process, or have its IPL raised, except through a system call.) When the process is able to run, it must

compete against other processes in order to actually run, and the process with the highest priority will run.

Note that process priority can affect PDL but cannot affect ISR latency. In other words, no matter how high the priority of an application process, even if it is in the realtime priority range, all ISRs that need servicing at the time that the realtime device's ISR needs servicing will be serviced before process code can execute, no matter in what order or at what interrupt priority level the ISRs run.

11.2 Improving Realtime Responsiveness

This section contains guidelines for improving realtime responsiveness.

Minimize Paging by Locking Down Memory

Be sure that your system has sufficient memory, and always lock down memory in the user process to reduce paging. Paging will occur when there are many threads and processes running on the system that do not collectively fit into system memory, and must be paged in and out as necessary. Application code and data that are locked in memory will not be paged. Paging affects process dispatch latency because it executes code in the kernel that is protected by simple locks, and thus cannot be preempted. Note that certain system daemons are not locked in memory, so a secondary effect is paging from those systems.

Turn On Kernel Preemption

Turn on kernel preemption and set your application code scheduling priority to `SCHED_FIFO`. This is described in Chapter 2.

Manage Priorities

Always consider the process priority level of your application in terms of relative importance in the overall system. You may need to use priorities in the realtime range. This affects process dispatch latency when there are other processes ready to run at the same time that the realtime application is ready to run. The process with the highest priority that has been waiting the longest among the waiting processes of that priority will run first.

Note, however, that always running in the realtime priority range is not necessarily what you should do. If you need to interact with system services that have threads or processes associated with them, such as the network, you need to run at a priority at or below the priority of those threads or processes, as well as at or below the priority of anything on which those threads or processes depend.

The kernel contains multiple threads. The purpose of these threads is to perform activities that have the potential of blocking, and thus serve as the delivery mechanism of information between ISRs and user processes. These kernel threads do not have much of the state information that processes have.

Kernel threads use the first-in/first-out scheduling policy, and are scheduled along with POSIX processes. The kernel sets priorities as Mach priorities, which are the inverse of POSIX priorities: 0 is the highest-priority Mach thread and 63 is the lowest. Under POSIX, 64 is the highest priority and 0 is the lowest.

You can use the `ps` command to display thread priorities. Because the `ps` program predates the use of threads, its ability to display information clearly about threads is limited. The following example shows an example of using the command `ps axm -o L5FMT,psxpri` to display L5FMT format and append the POSIX priority field:

```
% ps axm -o L5FMT,psxpri
 F S      UID  PID  PPID  C PRI  NI   ADDR  SZ  WCHAN  TTY          TIME CMD          PPR
 3 R <    0    0    0  0.0 32 -12   0 3.4M *    ??          05:02:40 kernel idle  31
  R N                0.0 63  19           -          0:00.00          0
  U <                0.0 38  -6           malloc_      0:00.51          25
  U <                0.0 32 -12           402cb0      0:49.47          31
  U <                0.0 32 -12           402eac      0:00.00          31
  S <                0.0 33 -11           netisr      05:01:23          30
  U <                0.0 32 -12           3e3f18      0:00.00          31
  U <                0.0 38  -6           4c3b80      0:00.00          25
  U      0.0 42  0           ubc_dir     0:00.52          21
  U <                0.0 37  -7           4c2678      0:00.01          26
  U <                0.0 37  -7           4c2680      0:03.77          26
  U <                0.0 38  -6           4c33b0      0:12.69          25
  U <                0.0 32 -12           4e36d8      0:00.01          31
  U <                0.0 37  -7           4e36d8      0:00.12          26
  U <                0.0 37  -7           4ba2d8      0:00.00          26
  U <                0.0 38  -6           4e3078      0:00.00          25
  U <                0.0 42  -2           24ce30      0:00.03          21
  I      0.0 42  0           nfsiod_     0:01.49          21
  I      0.0 42  0           nfsiod_     0:01.65          21
  I      0.0 42  0           nfsiod_     0:01.82          21
  I      0.0 42  0           nfsiod_     0:00.61          21
  I      0.0 42  0           nfsiod_     0:01.71          21
  I      0.0 44  0           nfsiod_     0:01.26          19
  I      0.0 42  0           nfsiod_     0:01.78          21
80048001 I      0    1    0  0.0 44  0           0 40K pause  ??          0:03.12 init          19
8001 IW    0    3    1  0.0 44  0           0 0K sv_msg_ ??          0:00.12 kloadsrv   19
8001 S    0   17    1  0.0 44  0           0 48K pause  ??          03:58:06 update    19
8001 I    0   81    1  0.0 44  0           0 120K event ??          0:02.64 syslogd   19
8001 IW   0   83    1  0.0 42  0           0 0K event   ??          0:00.03 binlogd   21
8001 S    0  135    1  0.0 44  0           0 80K event  ??          8:13.21 routed    19
8001 S    0  226    1  0.0 44  0           0 104K event ??          8:25.31 portmap   19
8001 IW   0  234    1  0.0 44  0           0 0K event   ??          0:00.21 ypbind    19
:
:
```

You can use the `dbx` command from a root account to display more information about kernel threads, as follows:

```
# dbx -k /vmunix
(dbx) set $pid=0
(dbx) tlist [shows kernel threads]
(dbx) tset thread-name;t [shows which routine a thread is running]
(dbx) p thread->sched_pri [shows Mach priority for the current thread]
```

The following example shows use of the dbx command:

```
# dbx -k /vmunix
dbx version 3.11.8
Type 'help' for help.

stopped at [thread_block:2020 ,0xfffffc00002a1da0] Source not available

warning: Files compiled -g3: parameter values probably wrong
(dbx) set $pid=0
(dbx) tlist
thread 0xfffffc0003fd1be8 stopped at [thread_run:2388 ,0xfffffc00002a2560] Source not available
thread 0xfffffc0003fd6000 stopped at [thread_block:2020 ,0xfffffc00002a1da0] Source not available
thread 0xfffffc0003fd62c0 stopped at [thread_block:2020 ,0xfffffc00002a1da0] Source not available
thread 0xfffffc0003fd6580 stopped at [thread_block:2020 ,0xfffffc00002a1da0] Source not available
thread 0xfffffc0003fd6dc0 stopped at [thread_block:2020 ,0xfffffc00002a1da0] Source not available
thread 0xfffffc0003fd7080 stopped at [thread_block:2020 ,0xfffffc00002a1da0] Source not available
thread 0xfffffc0003fd7340 stopped at [thread_block:2020 ,0xfffffc00002a1da0] Source not available
thread 0xfffffc0003fd7600 stopped at [thread_block:2020 ,0xfffffc00002a1da0] Source not available
thread 0xfffffc0003fd78c0 stopped at [thread_block:2020 ,0xfffffc00002a1da0] Source not available
thread 0xfffffc0003fd7b80 stopped at [thread_block:2020 ,0xfffffc00002a1da0] Source not available
thread 0xfffffc0003f6a000 stopped at [thread_block:2020 ,0xfffffc00002a1da0] Source not available
thread 0xfffffc0003f6a2c0 stopped at [thread_block:2020 ,0xfffffc00002a1da0] Source not available
thread 0xfffffc0003f6a580 stopped at [thread_block:2020 ,0xfffffc00002a1da0] Source not available
thread 0xfffffc0003f6a840 stopped at [thread_block:2020 ,0xfffffc00002a1da0] Source not available
thread 0xfffffc0003f6ab00 stopped at [thread_block:2020 ,0xfffffc00002a1da0] Source not available
thread 0xfffffc0003f6adc0 stopped at [thread_block:2020 ,0xfffffc00002a1da0] Source not available
thread 0xfffffc0003fd1950 stopped at [thread_block:2020 ,0xfffffc00002a1da0] Source not available
thread 0xfffffc0003f6b080 stopped at [thread_block:2020 ,0xfffffc00002a1da0] Source not available
thread 0xfffffc0003f6b340 stopped at [thread_block:2020 ,0xfffffc00002a1da0] Source not available
thread 0xfffffc0003f6b600 stopped at [thread_block:2020 ,0xfffffc00002a1da0] Source not available
thread 0xfffffc0003f6b8c0 stopped at [thread_block:2020 ,0xfffffc00002a1da0] Source not available
thread 0xfffffc0003f6bb80 stopped at [thread_block:2020 ,0xfffffc00002a1da0] Source not available
thread 0xfffffc0000926000 stopped at [thread_block:2020 ,0xfffffc00002a1da0] Source not available
(dbx) tset 0xfffffc0003f6bb80;t
thread 0xfffffc0003f6bb80 stopped at [thread_block:2020 ,0xfffffc00002a1da0] Source not available
> 0 thread_block() ["/usr/sde/osf1/build/ptos.b18/src/kernel/kern/sched_prim.c":2017,
0xfffffc00002a1d9c]
1 async_io_thread(0x0, 0x0, 0x0, 0x0, 0x0) ["/usr/sde/osf1/build/ptos.b18/src/kernel/nfs/nfs_vnodeops.c":2828,
0xfffffc00002f4898]
(dbx) p thread->sched_pri
44
```

Manage Physical Memory

By default, the parameter *ubc_maxpercent* in the file */sys/conf/param.c* is set to 100. That means that up to 100 percent of physical memory can be consumed by the Unified Buffer Cache (UBC) for buffering file data. Some systems perform better when not all physical memory is allowed to be taken by the UBC.

For improved realtime responsiveness, change this the value of */sys/conf/param.c* to between 50 and 80, depending on the amount of file system activity done on the system. This can improve system realtime latency, because when the UBC has consumed its maximum allocation of memory for buffering file data, the least-recently used buffers must be flushed to disk if they are modified. Flushing these buffers is done with a simple lock held, and therefore can affect process dispatch latency. The more memory that the UBC is allowed to use before flushing, the longer it will take to perform the flushing. Lowering the value of the *ubc_maxpercent* parameter will cause the flushing to occur more frequently but take less time.

Write Effective Device Drivers

When writing device drivers, follow these guidelines:

- Avoid holding locks for long periods
Holding a lock prevents context switches from occurring.
- Avoid funneling
Funneled device drivers take a lock upon entry.
- Keep interrupt service routines brief
Consider use of a kernel thread to do ISR postprocessing. While an ISR is executing, other interrupts of equal or lower IPL are delayed, and no process can run until all ISR activity is completed. Consider use of the `rt_post_callout` function for ISR postprocessing that needs to execute before any process code, but after any ISRs. See *System Configuration Supplement: OEM Platforms* or the Tru64 UNIX Device Driver Kit documentation (available separately from the base operating system) for more information about the `rt_post_callout` function.

Avoid Configuring Peripheral Devices in the System

Use devices with care that could interfere with realtime responsiveness, such as:

- The network driver
Do not configure the network driver into your system if it is not a necessary part of your realtime application. If it is necessary, then be sure that it is used only in postprocessing and not during critical phases of your application, when you are attempting to minimize latency.
- The disk driver
Be sure that postprocessing data is written to permanent storage during noncritical sections of your application and that all data is properly flushed and synchronized to disk at appropriate times. See Chapter 8 for more information about synchronized I/O.

In general, keep all peripheral devices that can cause spurious interrupts out of the configuration of the most critical systems. Other devices can possibly cause interrupt latency as well as bus contention with the critical devices. If other devices are a necessary part of the system, analyze the interrupt rate and attempt to avoid interrupt overload on the system.

Consider Use of Symmetrical Multiprocessing

Consider a symmetrical multiprocessing (SMP) system as a possible means of improving realtime responsiveness. You can divide the application across multiple processors using the `runon` command.

A

Tru64 UNIX Realtime Functional Summary

This appendix summarizes the functions that are of particular interest to realtime application developers. The source of these functions ranges from System V to POSIX 1003.1 and POSIX 1003.1b. The tables given in this appendix serve as a guide in application development, but you may need to consult the online reference pages for additional information or pointers to additional functions and commands.

The function tables are arranged according to the following categories:

- Process Control Functions, Table A-1
- P1003.1b Priority Scheduling Functions, Table A-2
- P1003.1b Clock Functions, Table A-3
- Date and Time Conversion Functions, Table A-4
- P1003.1b Timer Functions, Table A-5
- BSD Clock and Timer Functions, Table A-6
- P1003.1b Memory-Locking Functions, Table A-7
- System V Memory-Locking Function, Table A-8
- P1003.1b Asynchronous I/O Functions, Table A-9
- POSIX Synchronized I/O Functions, Table A-10
- BSD Synchronized I/O Function, Table A-11
- P1003.1b Message Functions, Table A-12
- P1003.1b Shared-Memory Functions, Table A-13
- P1003.1b Semaphore Functions, Table A-14
- P1003.1b Realtime Signal Functions, Table A-15
- Signal Control and Other Signal Functions, Table A-16
- `sigsetops` Primitives, Table A-17
- Process Ownership Functions, Table A-18
- Input and Output Functions, Table A-19
- Device Control Functions, Table A-20
- System Database Functions, Table A-21

Table A–1: Process Control Functions

Function	Purpose
alarm	Sends the calling process a SIGALRM signal after a specified number of seconds
_exit	Terminates the calling process
exec	Runs a new image, replacing the current running image
fork	Creates a new process
getenv	Reads an environment list
isatty	Verifies whether a file descriptor is associated with a terminal
kill	Sends a signal to a process or a group of processes
malloc	Allocates memory
pause	Suspends the calling process until a signal of a certain type is delivered
sleep	Suspends the current process either for a specified period or until a signal of a certain class is delivered
sysconf	Gets the current value of a configurable system limit or option
uname	Returns information about the current state of the operating system
wait	Lets a parent process get status information for a child that has stopped, and delays the parent process until a signal arrives
waitpid	Lets a parent process get status information for a specific child that has stopped and delays the parent process until a signal arrives from that child or that child terminates

Table A–2: P1003.1b Priority Scheduling Functions

Function	Purpose
sched_getscheduler	Returns the scheduling policy of a specified process
sched_getparam	Returns the scheduling priority of a specified process
sched_get_priority_max	Returns the maximum priority allowed for a scheduling policy
sched_get_priority_min	Returns the minimum priority allowed for a scheduling policy
sched_rr_get_interval	Returns the current quantum for the round-robin scheduling policy

Table A–2: P1003.1b Priority Scheduling Functions (cont.)

Function	Purpose
<code>sched_setscheduler</code>	Sets the scheduling policy and priority of a specified process
<code>sched_setparam</code>	Sets the scheduling priority of a specified process
<code>sched_yield</code>	Yields execution to another process (P1003.1c)

Table A–3: P1003.1b Clock Functions

Function	Purpose
<code>clock_getres</code>	Returns the resolution of the specified clock
<code>clock_gettime</code>	Returns the current value for the specified clock
<code>clock_settime</code>	Sets the specified clock to the specified value

Table A–4: Date and Time Conversion Functions

Function	Purpose
<code>asctime</code>	Converts time units (hours, minutes, and seconds) into a 26-character string
<code>ctime</code>	Converts a time in seconds since the Epoch to an ASCII string in the form generated by <code>asctime</code>
<code>difftime</code>	Computes the difference between two calendar times (<code>time1–time0</code>) and returns the difference expressed in seconds
<code>gmtime</code>	Converts a calendar time into time units, expressed as GMT
<code>localtime</code>	Converts a time in seconds since the Epoch into time units
<code>mktime</code>	Converts the time units in the <code>tm</code> structure pointed to by <code>timeptr</code> into a calendar time value with the same encoding as that of the values returned by <code>time</code>
<code>tzset</code>	Sets the external variable <code>tzname</code> , which contains current time zone names

Table A–5: P1003.1b Timer Functions

Function	Purpose
<code>nanosleep</code>	Causes the calling process to suspend execution for a specified period of time
<code>timer_create</code>	Returns a unique timer ID used in subsequent calls to identify a timer based on the systemwide clock
<code>timer_delete</code>	Removes a previously allocated, specified timer

Table A–5: P1003.1b Timer Functions (cont.)

Function	Purpose
<code>timer_getoverrun</code>	Returns the timer expiration overrun count for the specified timer
<code>timer_gettime</code>	Returns the amount of time before the specified timer is due to expire and the repetition value
<code>timer_settime</code>	Sets the value of the specified timer to either an offset from the current clock setting or an absolute value

Table A–6: BSD Clock and Timer Functions

Function	Purpose
<code>getitimer</code>	Returns the amount of time before the timer expires and the repetition value
<code>gettimeofday</code>	Gets the time of day
<code>setitimer</code>	Sets the value of the specified timer
<code>settimeofday</code>	Sets the time of day

Table A–7: P1003.1b Memory-Locking Functions

Function	Purpose
<code>mlock</code>	Locks a specified region of a process's address space
<code>mlockall</code>	Locks all of a process's address space
<code>munlock</code>	Unlocks a specified region of a process's address space
<code>munlockall</code>	Unlocks all of a process's address space

Table A–8: System V Memory-Locking Function

Function	Purpose
<code>plock</code>	Locks and unlocks a process, text, or data in memory

Table A–9: P1003.1b Asynchronous I/O Functions

Function	Purpose
<code>aio_cancel</code>	Cancels one or more requests pending against the file descriptor
<code>aio_error</code>	Returns the error status of a specified operation
<code>aio_fsync</code>	Asynchronously writes system buffers containing a file's modified data to permanent storage
<code>aio_read</code>	Initiates a read request on the specified file descriptor

Table A–9: P1003.1b Asynchronous I/O Functions (cont.)

Function	Purpose
<code>aio_return</code>	Returns the status of a completed operation
<code>aio_suspend</code>	Suspends the calling process until at least one of the specified requests has completed
<code>aio_write</code>	Initiates a write request to the specified file descriptor
<code>lio_listio</code>	Initiates a list of requests

Table A–10: POSIX Synchronized I/O Functions

Function	Purpose
<code>fcntl</code>	Controls operations on files and memory objects
<code>fdatasync</code>	Flushes modified data only from the buffer cache, providing operation completion with data integrity
<code>fsync</code>	Flushes modified data and file control information from the buffer cache, providing operation completion with file integrity

Table A–11: BSD Synchronized I/O Function

Function	Purpose
<code>sync</code>	Updates all file systems — all information in memory that should be on disk is written out

Table A–12: P1003.1b Message Functions

Function	Purpose
<code>mq_close</code>	Closes a message queue
<code>mq_getattr</code>	Retrieves the attributes of a message queue
<code>mq_notify</code>	Requests that a process be notified when a message is available on a queue
<code>mq_open</code>	Opens a message queue
<code>mq_receive</code>	Receives a message from the queue
<code>mq_send</code>	Sends a message to a queue
<code>mq_setattr</code>	Sets the attributes of a message queue
<code>mq_unlink</code>	Removes a message queue

Table A–13: P1003.1b Shared-Memory Functions

Function	Purpose
shm_open	Opens a shared-memory object, returning a file descriptor
shm_unlink	Removes the name of the shared-memory object

Table A–14: P1003.1b Semaphore Functions

Function	Purpose
sem_close	Deallocates the specified named semaphore
sem_destroy	Destroys an unnamed semaphore
sem_getvalue	Gets the value of a specified semaphore
sem_init	Initializes an unnamed semaphore
sem_open	Opens/creates a named semaphore for use by a process
sem_post	Unlocks a locked semaphore
sem_trywait	Performs a semaphore lock on a semaphore only if it can lock the semaphore without waiting for another process to unlock it
sem_unlink	Removes a specified named semaphore
sem_wait	Performs a semaphore lock on a semaphore

Table A–15: POSIX 1003.1b Realtime Signal Functions

Function	Purpose
sigaction	Specifies the action a process takes when a particular signal is delivered
sigqueue	Sends a signal, plus identifying information, to a process
sigtimedwait	Waits for a signal for the specified amount of time and, if the signal is delivered within that time, returns the signal number and any identifying information the signaling process provided
sigwaitinfo	Waits for a signal and, upon its delivery, returns the signal number and any identifying information the signaling process provided

Table A–16: Signal Control and Other Signal Functions

Function	Purpose
signal	Changes the action of a signal
sigpending	Returns a signal set that represents those signals that are blocked from delivery to the process but are pending
sigprocmask	Sets the process's current blocked signal mask

Table A–16: Signal Control and Other Signal Functions (cont.)

Function	Purpose
sigsetops	Manipulates signal sets
sigsuspend	Replaces the process's current blocked signal mask, waits for a signal, and, upon its delivery, calls the handler established for the signal and returns
sigwait	Suspends a calling thread until a signal arrives

Table A–17: sigsetops Primitives

Function	Purpose
sigaddset	Adds a signal to the signal set
sigdelset	Removes a signal from the signal set
sigemptyset	Initializes a signal set such that all signals are excluded
sigfillset	Initializes a signal set such that all signals are included
sigismember	Tests whether a signal is a member of the signal set

Table A–18: Process Ownership Functions

Function	Purpose
geteuid	Returns the effective user ID of the calling process
getegid	Returns the effective group ID of the calling process
getgid	Returns the real group ID of the calling process
getpgrp	Returns the process group ID of the calling process
getpid	Returns the process ID of the calling process
getppid	Returns the process ID of the parent of the calling process
getuid	Returns the real user ID of the calling process
setgid	Sets the group ID of the calling process
setsid	Creates a new session, for which the calling process is the session leader
setuid	Sets the user ID of the calling process

Table A–19: Input and Output Functions

Function	Purpose
close	Closes a file
dup	Duplicates a file descriptor
dup2	Duplicates a file descriptor

Table A–19: Input and Output Functions (cont.)

Function	Purpose
<code>fileno</code>	Retrieves a file descriptor
<code>lseek</code>	Moves a pointer to a record within a file
<code>mkfifo</code>	Creates fifo special files
<code>open</code>	Opens a file
<code>pipe</code>	Creates an interprocess channel
<code>read</code>	Reads the specified number of bytes from a file
<code>write</code>	Writes the specified number of bytes to a file

Table A–20: Device Control Functions

Function	Purpose
<code>cfgetispeed</code>	Retrieves the input baud rate for a terminal
<code>cfgetospeed</code>	Retrieves the output baud rate for a terminal
<code>cfsetispeed</code>	Sets the input baud rate for a terminal
<code>cfsetospeed</code>	Sets the output baud rate for a terminal
<code>isatty</code>	Verifies whether a file descriptor is associated with a terminal
<code>tcdrain</code>	Causes a process to wait until all output has been transmitted
<code>tcflow</code>	Suspends or restarts the transmission or reception of data
<code>tcflush</code>	Discards data that is waiting to be transmitted
<code>tcgetattr</code>	Retrieves information on the state of a terminal
<code>tcsendbreak</code>	Sends a break character for a specified amount of time
<code>tcsetattr</code>	Applies a set of attributes to a terminal

Table A–21: System Database Functions

Function	Purpose
<code>getgrgid</code>	Returns group information when passed a group ID
<code>getgrnam</code>	Returns group information when passed a group name
<code>getpwnam</code>	Returns user information when passed a user name
<code>getpwuid</code>	Returns user information when passed a user ID

Index

A

access permission

- memory objects, 3–4
- message queues, 10–5

aio_cancel function, 7–4, 7–8, A–4

AIO_CANCELED status, 7–8

aio_error function, 7–3, 7–5, 7–7, 7–9, A–4

aio_fsync function, 7–9, A–4

AIO_NOTCANCELED status, 7–8

aio_read function, 5–17, 7–4, 7–5, 7–9, A–4

aio_return function, 7–3, 7–5, 7–7, 7–9, A–4

aio_sigevent member, 7–9

aio_suspend function, 7–4, 7–5, 7–8, 7–9, A–4

aio_sync function, 7–5

aio_write function, 5–17, 7–4, 7–5, 7–9, A–4

aio_cb structure, 7–2, 7–6, 7–8

alarm function, 6–7, A–1

ALL_DONE status, 7–8

asctime function, 6–5, A–3

asynchronous I/O, 1–4, 1–10, 7–1

- blocking, 7–9
- canceling, 7–8
- data structures, 7–2
- example, 7–10
- example using `lio_listio`, 7–14
- functions, 7–4
- identifying the location, 7–2
- list-directed, 7–6
- raw devices, 7–10
- return values, 7–7

- signals, 1–10, 7–3
- specifying a signal, 7–3
- status, 7–7
- summary, 7–4
- using signals, 5–17

asynchronous I/O libraries

- compiling with, 1–21, 7–10
- linking, 1–21, 7–10

C

cfgetispeed function, A–8

cfgetospeed function, A–8

cfsetispeed function, A–8

cfsetospeed function, A–8

clock_getres function, 6–2, A–3

clock_gettime function, 6–2, 6–3, A–3

CLOCK_REALTIME

- granularity, 6–2
- resolution, 6–2

CLOCK_REALTIME clock, 6–2

clock_setdrift function,

- non-POSIX, 6–4

clock_settime function, 6–2, 6–4, A–3

clocks, 1–9, 6–1

- resolution, 6–8
- returning, 6–8
- setting, 6–4, 6–8
- systemwide, 6–2
- using with timers, 6–15

close function, 7–5, 7–7, A–7

compiling

- in a POSIX environment, 1–18

with asynchronous I/O libraries,
1–21, 7–10
with the realtime library, 1–19
ctime function, 6–5, 6–8, A–3

D

data integrity, 8–1
data structures
for asynchronous I/O, 7–2
for system clock, 6–8
for timers, 6–8
itimerspec, 6–8, 6–9
timers, 6–8
timespec, 6–8, 6–9
difftime function, 6–5, A–3
drift rate
and timers, 6–4
driver programs
viewing passes, 1–20
dup function, 3–7, A–7
dup2 function, A–7

E

Epoch, 6–2
errno function, 7–7
exec function, 2–16, 4–2, 4–4, 6–7,
6–11, A–1
_exit function, 7–5, 7–7, A–1

F

fchmod function, 3–8
fcntl function, 3–8, A–5
fdatasync function, A–5
file integrity, 8–1
fileno function, A–7
first-in/first-out scheduling, 2–5,
2–7
fixed-priority scheduling, 1–7,
2–6
flock function, 3–7

fork function, 4–2, 6–11, 7–5, 7–7,
A–1
with priorities, 2–16
fstat function, 3–8
fsync function, A–5
ftruncate function, 3–7

G

getegid function, A–7
getenv function, A–1
geteuid function, A–7
getgid function, A–7
getgrgid function, A–8
getgrnam function, A–8
getitimer function, A–4
getpgrp function, A–7
getpid function, 2–16, A–7
getppid function, 2–16, A–7
getpriority function, 2–11
getpwnam function, A–8
getpwuid function, A–8
getrlimit function, 4–4
gettimeofday function, A–4
getuid function, 2–19, A–7
GID, changing priority, 2–19
GMT, 6–2
gmtime function, 6–5, A–3
granularity
CLOCK_REALTIME, 6–2
Greenwich Mean Time (GMT), 6–2

H

.h files
(See header files)
hardware exception, 5–1
hardware interrupts, 2–12
and priorities, 2–14
header files
conforming POSIX applications,
1–19
limits.h, 6–12

mqueue.h, 10–8
sched.h, 2–9, 2–14
signal.h, 5–8, 5–17, 6–12, 7–3
sys/mman.h, 4–4
time.h, 6–2, 6–5, 6–8, 6–12
unistd.h, 1–19

I

I/O

(See asynchronous I/O,
synchronized I/O)

integrity

of data and files, 8–2

interprocess communication, 1–11

interrupt service routine (ISR)

latency, 11–2

IPC

(See memory-mapped files,
messages, semaphores,
shared memory, signals)

isatty function, A–1, A–8

ISR latency, 11–2

it_interval member, itimerspec, 6–9, 6–13

it_value member, itimerspec, 6–9, 6–13

itimerspec structure, 6–8, 6–9, 6–12, 6–13

J

job control, 5–1

K

kernel

accessing, 1–18
installing, 1–18
nonpreemptive, 1–4, 1–5

preemptive, 1–4, 1–5

kernel-mode preemption, 1–4

kill function, 5–2, 5–5, A–1

L

latency

comparing, 1–6

interrupt service routine (ISR),
11–2

ISR, 11–2

memory locking, 1–9, 4–1

nonpreemptive kernel, 1–5

PDL, 11–2

preemption, 1–5

preemptive kernel, 1–5

process dispatch latency (PDL),
11–2

reducing, 1–9

libaio library, 1–20

libaio_raw library, 7–10

librt library, 1–19, 1–21

limits.h header file, 6–12

linking

asynchronous I/O libraries, 1–21,
7–10

realtime libraries, 1–19, 1–21

specifying a search path, 1–20

lio_listio function, 5–17, 7–4, 7–6, 7–7, 7–9, A–4

and signals, 7–6

example, 7–14

LIO_NOWAIT mode, 7–6

LIO_WAIT mode, 7–6

list-directed I/O, 7–6

localtime function, 6–4, 6–5, A–3

locking memory, 4–2

entire process, 4–6

region, 4–3

shared, 3–9

lseek function, 7–4, A–7

M

- malloc function**, 4–6, A–1
- MCL_CURRENT flags**, 4–6
- MCL_FUTURE flags**, 4–6
- memory alignment, example**, 4–5
- memory locking**, 1–4, 1–9, 4–1
 - across a fork, 4–2
 - across an exec, 4–2
 - and paging, 4–1
 - example, 4–7
 - realtime requirements, 4–1
 - removing locks, 4–4
 - specifying a range, 4–3
 - specifying all, 4–3
- memory object**
 - locking example, 3–9
- memory unlocking**
 - example, 4–7
- memory-mapped files**, 3–1
 - controlling, 3–8
 - locking, 3–7
 - mapping, 3–4
 - overview, 3–1
 - unmapping, 3–4
- message queue**, 10–1
 - (*See also* messages)
 - access permission, 10–5
 - closing, 10–8
 - creating, 10–3
 - opening, 10–3
 - opening example, 10–5
 - removing, 10–8
 - setting attributes, 10–8
- messages**, 1–11, 10–1
 - creating, 10–2
 - functions, 10–2
 - overview, 10–1
 - prioritizing, 10–2, 10–7
 - receiving, 10–6
 - sending, 10–4, 10–6
 - using queues to receive data, 10–10
 - using queues to send data, 10–8
 - using queues, examples, 10–8, 10–10
 - using shared memory, 10–6
 - using signals, 10–6
 - using the interface, 10–2, 10–3
- mkfifo function**, A–7
- mktime function**, 6–5, A–3
- mlock function**, 3–9, 4–2, 4–3, 4–5, A–4
 - example, 4–7
- mlockall function**, 3–9, 4–2, 4–3, 4–6, A–4
 - example, 4–7
 - MCL_CURRENT flag, 4–6
 - MCL_FUTURE flag, 4–6
- mmap function**, 3–2, 3–4, 3–5
- mprotect function**, 3–2, 3–8
- mq_close function**, 10–2, 10–8, A–5
- mq_getattr function**, 10–2, 10–8, A–5
- mq_notify function**, 5–17, 10–2, A–5
- mq_open function**, 10–2, 10–3, 10–6, A–5
- mq_receive function**, 10–2, 10–3, 10–6, A–5
- mq_send function**, 10–2, 10–4, 10–6, A–5
- mq_setattr function**, 10–2, A–5
- mq_unlink function**, 10–2, 10–8, A–5
- mqueue.h header file**, 10–8
- msync function**, 3–2, 3–8
- munlock function**, 4–2, 4–4, 4–5, A–4
 - example, 4–7
- munlockall function**, 4–2, 4–3, A–4
 - example, 4–7
- munmap function**, 3–2, 3–4

N

nanosleep function, 1–9, 1–13, 6–8, 6–15, A–3
effect on signals, 6–15
nice function, 2–6, 2–11, 2–15
and realtime, 2–7
nice interface, 1–7, 2–10, 2–11
default priority, 2–10
priorities, 2–10
nonblocking I/O
(See asynchronous I/O)
nonpreemptive kernel
latency, 1–5

O

O_CREAT flag
with messages, 10–8, 10–10
O_NONBLOCK flag
with messages, 10–4
open function, 7–1, 7–6, A–7

P

page size
determining, 4–4
paging, 4–1
pause function, A–1
PDL latency, 11–2
per-process timers
(See timers)
performance and system tuning, 11–1
PID in process scheduling, 2–16
pipe function, A–7
plock function, A–4
policy, setting scheduling, 2–20
portability of timers, 6–1
POSIX
run-time libraries, 1–17
Tru64 UNIX, 1–18

POSIX environment, 1–16
compiling, 1–18
POSIX portability, 2–17, 6–1
_POSIX_C_SOURCE symbol, 1–18
preemption latency, 1–5
preemptive kernel, 1–4, 1–5
enabling, 1–18
latency, 1–5
preemptive priority scheduling, 2–6, 2–7
priorities
and hardware interrupts, 2–14
and scheduling policies, 2–10, 2–11, 2–14
configuring, 2–14
determining limits, 2–16
displaying, 2–13
nonprivileged user, 2–10
realtime, 2–11
relationships, 2–12
using the ps command, 2–13
priority, 2–1
and preemption, 1–5
and shared memory, 3–11
base level, 2–10
change notification, 2–17
changing, 2–8, 2–17
determining, 2–16
inheritance not supported, 2–12
initial, 2–9, 2–17
initializing, 2–17
inversion, 2–12
of messages, 10–7
ranges, 1–8, 2–10, 2–11
setting, 2–17, 2–20
using to improve realtime responsiveness, 11–3
priority inversion
with semaphores, 9–6
priority ranges, 2–5, 2–10
privileges

- superuser, 6–4
- process**
 - priority, 1–7
- process dispatch latency (PDL)**, 11–2
- process list**, 2–7, 2–10
- process preemption latency**, 1–4
- process scheduling**, 2–1
 - setting policy, 2–20
 - yielding, 2–19
- ps command**, 2–13
- pthread_kill function**, 5–8
- pthread_sigmask function**, 5–8

Q

- quantum**, 1–8
 - in process scheduling, 2–6
 - round-robin scheduling, 2–8, 2–19

R

- read function**, 7–1, 7–4, A–7
- realtime**
 - building applications, 1–18
 - capabilities of the operating system, 1–4, A–1
 - definition of, 1–1
 - environment, 1–4
 - features, 1–16
 - function summary, A–1
 - hard, 1–2
 - interface, 1–7, 2–11
 - libaio library, 1–20
 - libaio_raw library, 7–10
 - librt library, 1–19, 1–21
 - linking libraries, 1–19
 - POSIX standards, 1–17
 - preemption, enabling, 1–18
 - priorities, 2–11, 2–15
 - adjusting, 2–15
 - default, 2–11
 - using nice, 2–15

- using renice, 2–15
- process synchronization, 1–12
- processing, 2–5
- signals, 6–10
- soft, 1–2
- realtime clocks**
 - (*See* clocks)
- realtime IPC**
 - (*See* messages)
- realtime scheduling policies**
 - (*See* scheduling policies)
- realtime timers**
 - (*See* timers)
- renice function**, 2–11, 2–15
 - and realtime, 2–7
- resolution**
 - CLOCK_REALTIME, 6–2
 - clocks, 6–8
- responsiveness, improving**
 - realtime**, 11–3
 - avoiding configuring peripheral devices, 11–6
 - considering use of symmetrical multiprocessing, 11–6
 - device drivers, writing, 11–6
 - locking memory, 11–3
 - managing physical memory, 11–5
 - managing priorities, 11–3
 - turning on preemption, 11–3
- round-robin scheduling**, 2–5, 2–8
- rt_preempt_opt configuration parameter**, 1–18

S

- SCHED_FIFO keyword**, 2–5
- SCHED_FIFO policy**, 2–7, 2–16, 2–17
- sched_get_priority_max function**, 2–15, A–2
- sched_get_priority_min function**, 2–16, A–2
- sched_getparam function**, 2–16, 2–17, A–2

- sched_getscheduler function**, 2-16, A-2
- sched.h header file**, 2-9, 2-14
- SCHED_OTHER keyword**, 2-5
- SCHED_OTHER policy**, 2-16
- sched_param structure**, 2-17
- SCHED_PRIO_RT_MAX constant**, 2-15
- SCHED_PRIO_RT_MIN constant**, 2-15
- SCHED_PRIO_SYSTEM_MAX constant**, 2-15
- SCHED_PRIO_SYSTEM_MIN constant**, 2-15
- SCHED_PRIO_USER_MAX constant**, 2-15
- SCHED_PRIO_USER_MIN constant**, 2-15
- SCHED_RR keyword**, 2-5
- SCHED_RR policy**, 2-8, 2-16
- sched_rr_get_interval function**, 2-16, A-2
- sched_setparam function**, 2-6, 2-15, 2-17, A-2
- sched_setscheduler function**, 2-6, 2-15, 2-17, A-2
- sched_yield function**, 2-15, 2-19, A-2
 - and the process list, 2-19
 - with SCHED_FIFO, 2-19
 - with SCHED_RR, 2-19
- scheduler**, 1-7
- scheduling**, 2-1
 - fixed-priority, 1-7
 - functions, 2-15
 - interfaces, 1-7
 - policies, 1-7
 - priority-based, 1-7
 - quantum, 1-8
- scheduling policies**, 1-4, 2-5
 - and shared memory, 3-11
 - changing, 2-17
 - determining limits, 2-16
 - determining type, 2-16
 - first-in/first-out, 2-5, 2-7
 - fixed-priority, 2-5
 - priority ranges, 2-5
 - round-robin, 2-5, 2-8
 - SCHED_FIFO, 2-5
 - SCHED_OTHER, 2-5
 - SCHED_RR, 2-5
 - setting, 2-5, 2-15, 2-17
 - timesharing, 2-5
- search path linking**, 1-20
- select function, with**
 - asynchronous I/O**, 7-5
- sem_close function**, 9-2, 9-6, A-6
- sem_destroy function**, 9-2, 9-6, A-6
- sem_getvalue function**, 9-2, 9-5, A-6
- sem_init function**, 9-2, 9-3, A-6
- sem_open function**, 9-2, 9-3, 9-6, A-6
- sem_post function**, 9-2, 9-5, A-6
- sem_trywait function**, 9-2, 9-5, A-6
- sem_unlink function**, 9-2, 9-6, A-6
- sem_wait function**, 9-2, 9-5, A-6
- semaphores**, 1-11, 9-1
 - and shared memory, 3-10
 - blocking, 9-1
 - closing, 9-6
 - controlling access, 9-1
 - counting, 9-1
 - creating named, 9-3
 - creating unnamed, 9-4
 - example, 9-7
 - functions, 9-2
 - locking, 9-1, 9-5
 - named, 9-1

- opening, 9–3
- persistence, 9–2
- priority inversion, 9–6
- releasing shared memory, 3–11
- removing named, 9–7
- removing unnamed, 9–7
- reserving, 9–5
- reserving shared memory, 3–11
- unlocking, 9–1, 9–6
- unnamed, 9–1
- using the interface, 9–2, 9–3
- setgid function**, A–7
- setitimer function**, A–4
- setpriority function**, 2–11
- setsid function**, A–7
- settimeofday function**, A–4
- setuid function**, A–7
- shared memory**, 1–11, 3–1
 - and semaphores, 3–10
 - creating, 3–3
 - example with semaphores, 9–7
 - locking, 3–9
 - opening, 3–2
 - opening an object, 3–3
 - opening example, 3–4
 - overview, 3–1
 - releasing with a semaphore, 3–11
 - reserving with a semaphore, 3–11
 - unlinking, 3–2, 3–9
 - unlocking, 3–10
- shm_open function**, 3–2, 3–3, A–6
- shm_unlink function**, 3–2, 3–9, A–6
- sigaction function**, 5–2, 5–6, 6–11, A–6
- sigaction structure**, 5–7
- sigaddset function**, 5–2, A–7
- SIGALRM signal**, 6–7
- sigaltstack function**, 5–11
- sigcontext structure**, 5–16
- sigdelset function**, 5–2, A–7
- sigemptyset function**, 5–2, 5–9, A–7
- sigevent structure**, 5–17, 6–10, 6–12, 7–3
- sigfillset function**, 5–2, 5–9, A–7
- siginfo_t structure**, 5–15
- sigismember function**, 5–2, 5–10, A–7
- signal function**, 6–7, 6–11, 7–4, A–6
- signal.h header file**, 5–17, 6–12, 7–3
- signals**, 1–11, 5–1
 - accepting default action for, 5–8
 - and timers, 6–7, 6–10
 - blocking, 5–8
 - ignoring, 5–8
 - limitations, 5–11
 - list of, 5–5
 - nonrealtime, 5–3
 - POSIX-defined functions, 5–2
 - realtime, 5–11
 - receiving, 5–3
 - responding to, 5–2
 - sending, 5–3
 - sending to another process, 5–3
 - specifying a handler for, 5–8
 - specifying action, 5–6
 - unblocking, 5–10
 - using sigaction, 5–6
 - using the interface, 5–3
 - using with asynchronous I/O, 5–17, 7–3
 - using with timers, 5–17
- sigpending function**, 5–2, 5–10, A–6
- sigprocmask function**, 5–2, 5–9, A–6
- sigqueue function**, 5–3, 5–14, A–6
- sigsetops function**, A–6, A–7
- sigsuspend function**, 5–2, 5–10, A–6
- sigtimedwait function**, 5–3, 5–18, A–6
- sigwait function**, A–6

sigwaitinfo function, 5-3, 5-18, A-6

sleep function, 6-15, A-1

sleep, high-resolution, 6-15

software interrupt
(See signals)

standards, 1-16
ISO, 1-16
POSIX, 1-16

status, asynchronous I/O, 7-7

superuser privileges, 2-11, 2-16, 6-4

sync function, A-5

synchronization, 1-12
by communication, 1-15
by other processes, 1-15
by semaphores, 1-13
by time, 1-13
timing facilities, 6-1

synchronization point, 1-12

synchronized I/O, 1-10, 8-2
using file descriptors, 8-2
using function calls, 8-2

sys/mman.h header file, 4-4

sysconf function, 4-4, 4-5, A-1

system clock
high-resolution option, 6-6
resolution, 6-6
time spike, 6-6

system processing, 2-5

system tuning, 11-1

T

tedrain function, A-8

tcf flow function, A-8

tcf flush function, A-8

tcgetattr function, A-8

tcsendbreak function, A-8

tcsetattr function, A-8

threads
displaying priority using ps command, 11-4
kernel, using dbx command to display information, 11-4

time
getting local, 6-4
retrieving, 6-3
returning, 6-3

time function, 6-4

time.h header file, 6-2, 6-5, 6-12

TIME-OF-DAY clock, 6-2

timer functions, 6-11, A-3

timer_create function, 5-17, 6-7, 6-12, A-3

timer_delete function, 6-12, 6-15, A-3

timer_getoverrun function, 6-11, 6-14, A-3

timer_gettime function, 6-11, 6-13, A-3

TIMER_MAX constant, 6-12

timer_settime function, 6-7, 6-11, 6-14, 6-15, A-3

timers, 1-9, 6-1, 6-11
absolute, 1-9, 6-7, 6-12
and signals, 1-9
arming, 6-9
compressed signals, 6-14
creating, 6-12, 6-13
disabling, 6-13, 6-15
disarming, 6-9, 6-13, 6-15
expiration value, 6-13
getting the overrun count, 6-14
interval time, 6-13
one-shot, 1-9, 6-7, 6-13
periodic, 1-9, 6-7, 6-13
relative, 1-9, 6-7, 6-12
repetition value, 6-13
resetting, 6-14, 6-15
returning values, 6-14
setting, 6-9

- sleep, 6–15
- types, 6–7
- using signals, 5–17, 6–7, 6–10
- using the sigevent structure, 6–10
- using with clocks, 6–15
- timers.h header file**, 6–8
- timesharing processing**, 2–5
- timesharing scheduling**, 1–7, 2–6
 - using nice, 2–6
- timespec structure**, 6–3, 6–8, 6–9
- tm structure**, 6–4, 6–5
- Tru64 UNIX**
 - kernel
 - accessing, 1–18
 - installing, 1–18
 - POSIX, 1–18
 - realtime facilities, 1–4, A–1
- tv_nsec member, timespec**, 6–8
- tv_sec member, timespec**, 6–8
- tzset function**, 6–5, A–3

U

- ucontext_t structure**, 5–16
- UID, changing priority**, 2–19
- uname function**, A–1
- unistd.h header file**, 1–19
- unlocking memory**, 3–10, 4–2, 4–4
- user mode and preemption**, 1–4

W

- wait function**, A–1
- waitpid function**, A–1
- write function**, 7–2, 7–4, A–7

Y

- yielding, to another process**, 2–19

How to Order Tru64 UNIX Documentation

To order Tru64 UNIX documentation in the United States and Canada, call **800-344-4825**. In other countries, contact your local Compaq subsidiary.

If you have access to Compaq's intranet, you can place an order at the following Web site:

<http://asmorder.nqo.dec.com/>

If you need help deciding which documentation best meets your needs, see the Tru64 UNIX *Documentation Overview*, which describes the structure and organization of the Tru64 UNIX documentation and provides brief overviews of each document.

The following table provides the order numbers for the Tru64 UNIX operating system documentation kits. For additional information about ordering this and related documentation, see the *Documentation Overview* or contact Compaq.

Name	Order Number
Tru64 UNIX Documentation CD-ROM	QA-6ADAA-G8
Tru64 UNIX Documentation Kit	QA-6ADAA-GZ
End User Documentation Kit	QA-6ADAB-GZ
Startup Documentation Kit	QA-6ADAC-GZ
General User Documentation Kit	QA-6ADAD-GZ
System and Network Management Documentation Kit	QA-6ADAE-GZ
Developer's Documentation Kit	QA-6ADAF-GZ
Reference Pages Documentation Kit	QA-6ADAG-GZ
TruCluster Server Documentation Kit	QA-6BRAA-GZ

Reader's Comments

Tru64 UNIX

Guide to Realtime Programming
AA-RH9TB-TE

Compaq welcomes your comments and suggestions on this manual. Your input will help us to write documentation that meets your needs. Please send your suggestions using one of the following methods:

- This postage-paid form
- Internet electronic mail: `readers_comment@zk3.dec.com`
- Fax: (603) 884-0120, Attn: UBPG Publications, ZKO3-3/Y32

If you are not using this form, please be sure you include the name of the document, the page number, and the product name and version.

Please rate this manual:

	Excellent	Good	Fair	Poor
Accuracy (software works as manual says)	<input type="checkbox"/>	<input type="checkbox"/>	<input type="checkbox"/>	<input type="checkbox"/>
Clarity (easy to understand)	<input type="checkbox"/>	<input type="checkbox"/>	<input type="checkbox"/>	<input type="checkbox"/>
Organization (structure of subject matter)	<input type="checkbox"/>	<input type="checkbox"/>	<input type="checkbox"/>	<input type="checkbox"/>
Figures (useful)	<input type="checkbox"/>	<input type="checkbox"/>	<input type="checkbox"/>	<input type="checkbox"/>
Examples (useful)	<input type="checkbox"/>	<input type="checkbox"/>	<input type="checkbox"/>	<input type="checkbox"/>
Index (ability to find topic)	<input type="checkbox"/>	<input type="checkbox"/>	<input type="checkbox"/>	<input type="checkbox"/>
Usability (ability to access information quickly)	<input type="checkbox"/>	<input type="checkbox"/>	<input type="checkbox"/>	<input type="checkbox"/>

Please list errors you have found in this manual:

Page	Description
_____	_____
_____	_____
_____	_____
_____	_____

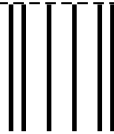
Additional comments or suggestions to improve this manual:

What version of the software described by this manual are you using? _____

Name, title, department _____
Mailing address _____
Electronic mail _____
Telephone _____
Date _____

----- Do Not Cut or Tear - Fold Here and Tape -----

COMPAQ



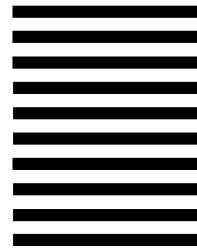
NO POSTAGE
NECESSARY IF
MAILED IN THE
UNITED STATES

BUSINESS REPLY MAIL

FIRST CLASS MAIL PERMIT NO. 33 MAYNARD MA

POSTAGE WILL BE PAID BY ADDRESSEE

COMPAQ COMPUTER CORPORATION
UBPG PUBLICATIONS MANAGER
ZKO3-3/Y32
110 SPIT BROOK RD
NASHUA NH 03062-2698



----- Do Not Cut or Tear - Fold Here -----

Cut on This Line