
HP OpenVMS System Management Utilities Reference Manual: M–Z

Order Number: AA–PV5QH–TK

September 2003

This document describes reference information for System Management utilities used with the OpenVMS Alpha operating system.

Revision/Update Information: This manual supersedes the *HP OpenVMS System Management Utilities Reference Manual: M–Z*, OpenVMS Version 7.3-1.

Software Version: OpenVMS Alpha Version 7.3-2

**Hewlett-Packard Company
Palo Alto, California**

© Copyright 2003 Hewlett-Packard Development Company, L.P.

Microsoft®, MS-DOS®, Visual C++®, Windows®, and Windows NT® are U.S. registered trademarks of Microsoft Corporation.

Intel and Intel Inside are trademarks or registered trademarks of Intel Corporation in the U.S. and other countries and are used under license. Pentium® is a U.S. registered trademark of Intel Corporation.

Motif and OSF/1 are trademarks of The Open Group in the U.S. and other countries. UNIX® is a registered trademark of The Open Group.

The information contained herein is subject to change without notice. The only warranties for HP products and services are set forth in the express warranty statements accompanying such products and services. Nothing herein should be construed as constituting an additional warranty. HP shall not be liable for technical or editorial errors or omissions contained herein.

Proprietary computer software. Valid license from HP required for possession, use or copying. Consistent with FAR 12.211 and 12.212, Commercial Computer Software, Computer Software Documentation, and Technical Data for Commercial Items are licensed to the U.S. Government under vendor's standard commercial license.

ZK6259

The HP OpenVMS documentation set is available on CD-ROM.

This document was prepared using DECdocument, Version 3.3-1b.

Contents

Preface	xiii
1 Monitor Utility	
1.1 MONITOR Description	1-3
1.2 MONITOR Usage Summary	1-4
1.3 MONITOR Commands	1-5
CONVERT	1-6
EXECUTE (@)	1-7
EXIT	1-8
HELP	1-9
INITIALIZE	1-10
MONITOR	1-11
MONITOR ALL_CLASSES	1-17
MONITOR CLUSTER	1-19
MONITOR DECNET	1-24
MONITOR DISK	1-26
MONITOR DLOCK	1-29
MONITOR FCP	1-32
MONITOR FILE_SYSTEM_CACHE	1-34
MONITOR IO	1-38
MONITOR LOCK	1-40
MONITOR MODES	1-42
MONITOR MSCP_SERVER	1-46
MONITOR PAGE	1-48
MONITOR PROCESSES	1-50
MONITOR RLOCK	1-56
MONITOR RMS	1-58
MONITOR SCS	1-62
MONITOR STATES	1-66
MONITOR SYSTEM	1-70
MONITOR TIMER	1-74
MONITOR TRANSACTION	1-76
MONITOR VBS (VAX Only)	1-79
MONITOR VECTOR	1-80
SET DEFAULT	1-82
SHOW DEFAULT	1-83

2 Point-to-Point Utility

2.1	PPPD Description	2-3
2.2	PPPD Usage Summary	2-3
2.3	PPPD Commands	2-4
	CONNECT	2-5
	DIAL_OUT	2-6
	DISCONNECT	2-8
	EXIT	2-9
	HELP	2-10
	SET	2-11
	SHOW	2-15

3 POLYCENTER Software Installation Utility

3.1	Description	3-3
3.2	Usage Summary	3-3
3.3	PRODUCT Commands	3-4
	CONFIGURE	3-6
	COPY	3-10
	DELETE RECOVERY_DATA	3-14
	EXTRACT FILE	3-16
	EXTRACT PDF	3-19
	EXTRACT PTF	3-22
	EXTRACT RELEASE_NOTES	3-25
	FIND	3-28
	INSTALL	3-31
	LIST	3-36
	PACKAGE	3-39
	RECONFIGURE	3-43
	REGISTER PRODUCT	3-47
	REGISTER VOLUME	3-51
	REMOVE	3-53
	SHOW HISTORY	3-56
	SHOW OBJECT	3-58
	SHOW PRODUCT	3-61
	SHOW RECOVERY_DATA	3-64
	SHOW UTILITY	3-66
	UNDO PATCH	3-67

4 SCA Control Program Utility

4.1	SCACP Description	4-3
4.1.1	Terminology Related to SCACP	4-3
4.1.1.1	SCS Ports and Circuits	4-3
4.1.1.2	Virtual Circuits	4-4
4.1.1.3	LAN Channels	4-4
4.1.1.4	Channels and Virtual Circuits	4-4

4.1.2	New Cluster SCA Circuit and Port Functionality	4-4
4.1.2.1	Ability to Set Port and Circuit Priorities	4-5
4.1.2.2	Ability to Enable/Disable PEdriver Checksumming	4-5
4.1.2.3	SCS Dynamic Load Class Support	4-5
4.1.3	Managing Cluster Ports and Circuits	4-6
4.1.4	Managing LAN Cluster Ports	4-6
4.1.5	Troubleshooting Cluster Communications	4-7
4.1.6	Related Documents	4-7
4.2	SCACP Commands	4-7
4.3	SCACP Usage Summary	4-8
	EXIT	4-10
	HELP	4-11
	SET CHANNEL	4-12
	SET CIRCUIT	4-14
	SET LAN_DEVICE	4-15
	SET PORT	4-16
	SET TRACE	4-17
	SET VC	4-19
	SHOW CHANNEL	4-20
	SHOW CIRCUIT	4-23
	SHOW LAN_DEVICE	4-25
	SHOW PORT	4-28
	SHOW TRACE	4-29
	SHOW VC	4-32
	SPAWN	4-34
	START LAN_DEVICE	4-35
	START TRACE	4-36
	STOP LAN_DEVICE	4-38
	STOP TRACE	4-39

5 Show Cluster Utility

5.1	SHOW CLUSTER Description	5-3
5.2	SHOW CLUSTER Usage Summary	5-14
5.3	SHOW CLUSTER Qualifiers	5-14
	/BEGINNING=time	5-15
	/CONTINUOUS	5-16
	/ENDING=time	5-17
	/INTERVAL=seconds	5-18
	/OUTPUT=file-spec	5-19
5.4	SHOW CLUSTER Commands	5-19
	@ (Execute Procedure)	5-22
	ADD CIRCUITS	5-23
	ADD CLUSTER	5-25
	ADD CONNECTIONS	5-27
	ADD COUNTERS	5-29
	ADD CREDITS	5-31
	ADD ERRORS	5-32
	ADD (Field)	5-33

ADD LOCAL_PORTS	5-35
ADD MEMBERS	5-37
ADD SYSTEMS	5-38
DEFINE/KEY	5-40
DESELECT	5-43
EXIT	5-44
HELP	5-45
INITIALIZE	5-46
MOVE	5-47
PAN	5-49
REFRESH	5-51
REMOVE CIRCUITS	5-52
REMOVE CLUSTER	5-53
REMOVE CONNECTIONS	5-54
REMOVE COUNTERS	5-56
REMOVE CREDITS	5-57
REMOVE ERRORS	5-58
REMOVE (Field)	5-59
REMOVE LOCAL_PORTS	5-60
REMOVE MEMBERS	5-61
REMOVE SYSTEMS	5-62
SAVE	5-64
SCROLL	5-66
SELECT	5-68
SET AUTO_POSITIONING	5-69
SET (Field)	5-70
SET FUNCTION	5-71
SET INTERVAL	5-72
SET SCREEN	5-73
WRITE	5-74

6 System Generation Utility

6.1	SYSGEN Description	6-3
6.1.1	Specifying Values for SYSGEN Qualifiers and Parameters	6-3
6.1.2	Using Active and Current Parameter Values	6-3
6.2	SYSGEN Usage Summary	6-4
6.3	SYSGEN Commands	6-4
	AUTOCONFIGURE (VAX Only)	6-5
	CONFIGURE (VAX Only)	6-8
	CONNECT (VAX Only)	6-10
	CREATE	6-13
	DEINSTALL	6-14
	DISABLE	6-15
	ENABLE	6-16
	INSTALL	6-17
	LOAD (VAX Only)	6-18
	RELOAD (VAX Only)	6-19

SET	6-20
SET/OUTPUT	6-21
SET/STARTUP	6-22
SHARE (VAX Only)	6-23
SHARE/INITIALIZE (VAX Only)	6-24
SHOW	6-26
SHOW/ADAPTER (VAX Only)	6-31
SHOW/BUS (VAX Only)	6-32
SHOW/CONFIGURATION (VAX Only)	6-33
SHOW/DEVICE (VAX Only)	6-35
SHOW/DRIVER (VAX Only)	6-36
SHOW/STARTUP	6-38
SHOW/TURBOCHANNEL (VAX Only)	6-39
SHOW/UNIBUS (VAX Only)	6-40
TERMINAL	6-42
USE	6-43
WRITE	6-45

7 System Management Utility

7.1	SYSMAN Description	7-3
7.1.1	Defining Keys to Execute SYSMAN Commands	7-3
7.1.2	Executing Commands from an Initialization File	7-4
7.2	SYSMAN Usage Summary	7-4
7.3	SYSMAN Commands	7-5
	@ (Execute Procedure)	7-10
	ALF ADD	7-12
	ALF REMOVE	7-14
	ALF SHOW	7-16
	ATTACH	7-17
	CLASS_SCHEDULE ADD	7-19
	CLASS_SCHEDULE DELETE	7-24
	CLASS_SCHEDULE MODIFY	7-25
	CLASS_SCHEDULE RESUME	7-27
	CLASS_SCHEDULE SHOW	7-28
	CLASS_SCHEDULE SUSPEND	7-29
	CONFIGURATION SET CLUSTER_AUTHORIZATION	7-30
	CONFIGURATION SET TIME	7-32
	CONFIGURATION SHOW CLUSTER_AUTHORIZATION	7-34
	CONFIGURATION SHOW TIME	7-35
	DEFINE/KEY	7-36
	DISKQUOTA ADD	7-38
	DISKQUOTA CREATE	7-40
	DISKQUOTA DELETE	7-42
	DISKQUOTA DISABLE	7-43
	DISKQUOTA ENABLE	7-45
	DISKQUOTA MODIFY	7-47
	DISKQUOTA REBUILD	7-49

DISKQUOTA REMOVE	7-50
DISKQUOTA SHOW	7-52
DO	7-53
DUMP_PRIORITY ADD (Alpha Only)	7-57
DUMP_PRIORITY LIST (Alpha Only)	7-60
DUMP_PRIORITY LOAD (Alpha Only)	7-61
DUMP_PRIORITY MODIFY (Alpha Only)	7-62
DUMP_PRIORITY REMOVE (Alpha Only)	7-64
DUMP_PRIORITY SHOW (Alpha Only)	7-65
DUMP_PRIORITY UNLOAD (Alpha Only)	7-66
EXIT	7-67
HELP	7-68
IO AUTOCONFIGURE (Alpha Only)	7-69
IO CONNECT (Alpha Only)	7-71
IO CREATE_WWID (Alpha Only)	7-75
IO FIND_WWID (Alpha Only)	7-76
IO LIST_WWID (Alpha Only)	7-79
IO LOAD (Alpha Only)	7-80
IO REBUILD (Alpha Only)	7-81
IO REPLACE_WWID (Alpha Only)	7-82
IO SCSI_PATH_VERIFY (Alpha Only)	7-84
IO SET EXCLUDE (Alpha Only)	7-85
IO SET PREFIX (Alpha Only)	7-86
IO SHOW BUS (Alpha Only)	7-87
IO SHOW DEVICE (Alpha Only)	7-89
IO SHOW EXCLUDE (Alpha Only)	7-91
IO SHOW PREFIX (Alpha Only)	7-92
LICENSE LOAD	7-93
LICENSE UNLOAD	7-94
PARAMETERS DISABLE CHECKS	7-95
PARAMETERS ENABLE CHECKS	7-96
PARAMETERS SET	7-97
PARAMETERS SHOW	7-98
PARAMETERS USE	7-102
PARAMETERS WRITE	7-103
RESERVED_MEMORY ADD (Alpha Only)	7-104
RESERVED_MEMORY EXTEND (Alpha Only)	7-108
RESERVED_MEMORY FREE (Alpha Only)	7-109
RESERVED_MEMORY LIST (Alpha Only)	7-111
RESERVED_MEMORY MODIFY (Alpha Only)	7-112
RESERVED_MEMORY REMOVE (Alpha Only)	7-115
RESERVED_MEMORY SHOW (Alpha Only)	7-116
SET ENVIRONMENT	7-117
SET PROFILE	7-119
SET TIMEOUT	7-120
SHOW ENVIRONMENT	7-121
SHOW KEY	7-122

	SHOW PROFILE	7-123
	SHOW TIMEOUT	7-124
	SHUTDOWN NODE	7-125
	SPAWN	7-129
	STARTUP ADD	7-133
	STARTUP DISABLE	7-135
	STARTUP ENABLE	7-137
	STARTUP MODIFY	7-138
	STARTUP REMOVE	7-140
	STARTUP SET DATABASE	7-141
	STARTUP SET OPTIONS	7-142
	STARTUP SHOW	7-144
	SYS_LOADABLE ADD	7-146
	SYS_LOADABLE REMOVE	7-148
7.4	RAD Example	7-149

8 USB Configuration Manager (UCM)

8.1	UCM Description	8-3
8.2	USB and UCM Concepts	8-3
8.2.1	Introduction to USB	8-3
8.2.2	UCM Concepts and Operation	8-6
8.2.2.1	Types of UCM Lists	8-6
8.2.2.2	How UCM Configures Devices	8-7
8.3	Using UCM to Manage Devices and View Events	8-8
8.3.1	Configuring Devices	8-8
8.3.2	Viewing Events	8-9
8.3.2.1	Information About Unknown Devices	8-9
8.3.2.2	Information about Configuration Failures	8-10
8.4	UCM Usage Summary	8-11
8.5	UCM Commands	8-11
	ADD DEVICE	8-12
	DELETE DEVICE	8-14
	EXIT	8-15
	HELP	8-16
	MODIFY DEVICE	8-17
	RELOAD	8-19
	RESTART	8-20
	SET LOG	8-21
	SHOW DEVICE	8-22
	SHOW EVENTS	8-24

9 XA Gateway Control Program Utility (XGCP)(Alpha Only)

9.1	XGCP Description	9-3
9.2	XGCP Commands	9-3

9.3	XGCP Usage Summary	9-3
	CREATE_LOG	9-4
	EXIT	9-5
	START_SERVER	9-6
	STOP_SERVER	9-7

A Supplemental MONITOR Information—Record Formats

A.1	The MONITOR Recording File	A-1
A.2	Conventions	A-3
A.3	HP Control Records	A-3
A.3.1	File Header Record	A-4
A.3.2	System Information Record	A-6
A.3.3	Node Transition Record	A-7
A.3.4	RMS File Record	A-7
A.4	Class Records	A-8
A.4.1	Class Type Formats	A-8
A.4.1.1	Class Header	A-9
A.4.1.2	Class Prefix (Component Classes Only)	A-10
A.4.2	Class Data Blocks	A-11
A.4.2.1	CLUSTER Class Record	A-11
A.4.2.2	DECNET Class Record	A-13
A.4.2.3	DISK Class Record	A-14
A.4.2.4	DLOCK Class Record	A-16
A.4.2.5	FCP Class Record	A-17
A.4.2.6	FILE_SYSTEM_CACHE Class Record	A-19
A.4.2.7	I/O Class Record	A-20
A.4.2.8	LOCK Class Record	A-22
A.4.2.9	MODES Class Record	A-23
A.4.2.10	MSCP_SERVER Class Record	A-25
A.4.2.11	PAGE Class Record	A-27
A.4.2.12	PROCESSES Class Record	A-28
A.4.2.13	RLOCK Class Record	A-30
A.4.2.14	RMS Class Record	A-31
A.4.2.15	SCS Class Record	A-37
A.4.2.16	STATES Class Record	A-39
A.4.2.17	SYSTEM Class Record	A-41
A.4.2.18	TIMER Class Record	A-42
A.4.2.19	TRANSACTION Class Record	A-43
A.4.2.20	VBS Class Record (VAX Only)	A-45
A.4.2.21	VECTOR Class Record	A-46

B SHOW CLUSTER Keypad Commands

B.1	Using the Keypad	B-1
B.2	Redefining the Keypad Keys	B-3
B.3	Redefining the Arrow Keys	B-3

C System Parameters

C.1	How the Parameters Are Described	C-1
C.1.1	Parameter Categories and Attributes	C-1
C.1.2	Values for Parameters	C-6
C.2	Parameter Descriptions	C-7
C.2.1	System Parameters	C-7

D Configuring Devices with SYSGEN (VAX Only)

D.1	SYSGEN Device Table (VAX Only)	D-1
D.2	Configuring VAXstation 2000 and MicroVAX 2000 Devices (VAX Only)	D-6

Index

Figures

5-1	Sample SHOW CLUSTER Report	5-12
8-1	USB Configuration	8-4
8-2	Hub Tiers	8-5
8-3	UCM Architecture	8-6
A-1	File Header Record Format	A-4
A-2	System Information Record Format	A-6
A-3	Node Transition Record Format	A-7
A-4	RMS File Record Format	A-8
A-5	Class Record Format	A-9
A-6	Class Header Format	A-9
A-7	Class Prefix Format	A-11
A-8	CLUSTER Class Record Format	A-12
A-9	DECNET Class Record Format	A-13
A-10	DISK Class Record Format	A-15
A-11	DLOCK Class Record Format	A-16
A-12	FCP Class Record Format	A-18
A-13	FILE_SYSTEM_CACHE Class Record Format	A-19
A-14	I/O Class Record Format	A-21
A-15	LOCK Class Record Format	A-22
A-16	MODES Class Record Format	A-24
A-17	MSCP_SERVER Class Record Format	A-26
A-18	PAGE Class Record Format	A-27
A-19	PROCESSES Class Record Format	A-29
A-20	RLOCK Class Record Format	A-31
A-21	RMS Class Record Format	A-32
A-22	SCS Class Record Format	A-38
A-23	STATES Class Record Format	A-40
A-24	SYSTEM Class Record Format	A-41
A-25	TIMER Class Record Format	A-42
A-26	TRANSACTION Class Record Format	A-43
A-27	VBS Class Record Format (VAX Only)	A-45
A-28	VECTOR Class Record Format	A-46

B-1	SHOW CLUSTER Default Keypad	B-1
-----	---------------------------------------	-----

Tables

1	Manual Structure	xiii
2-1	PPPD Command Summary	2-4
4-1	SCACP Commands	4-7
5-1	Classes of SHOW CLUSTER Information	5-3
5-2	CIRCUITS Class Fields	5-4
5-3	CLUSTER Class Fields	5-5
5-4	CONNECTIONS Class Fields	5-6
5-5	COUNTERS Class Fields	5-7
5-6	CREDITS Class Fields	5-7
5-7	ERRORS Class Fields	5-7
5-8	LOCAL_PORTS Class Fields	5-8
5-9	MEMBERS Class Fields	5-9
5-10	SYSTEMS Class Fields	5-11
6-1	Device Type Codes	6-6
7-1	SYSMAN Commands	7-6
7-2	/SELECT Qualifier Examples	7-69
C-1	System Parameters	C-2
D-1	SYSGEN Device Table (VAX Only)	D-2
D-2	VAXstation 2000 Autoconfiguration Table (VAX Only)	D-7

Preface

The *HP OpenVMS System Management Utilities Reference Manual: M–Z* contains reference information about the utilities that are used to manage both the OpenVMS VAX and OpenVMS Alpha operating systems. This manual describes each system management utility and provides examples for frequently used commands and qualifiers. The utilities appear alphabetically.

Refer to the *HP OpenVMS System Management Utilities Reference Manual: A–L* for the utilities not discussed in this book. In addition to system management utilities, a description and usage summary of the AUTOGEN command procedure is presented in the *HP OpenVMS System Management Utilities Reference Manual: A–L*.

All commands follow standard rules of grammar as specified in the *HP OpenVMS DCL Dictionary*.

For information using these system management utilities and AUTOGEN, see the *HP OpenVMS System Manager's Manual*.

Intended Audience

This manual is intended for system managers and users of the system management utilities for the OpenVMS VAX and OpenVMS Alpha operating systems.

Document Structure

The parts of this manual are arranged alphabetically. Each part contains reference information for a system management utility. Table 1 shows the structure.

Table 1 Manual Structure

Part	Utility
1	Monitor (MONITOR)
2	Point-to-Point Protocol Utility (PPPD)
3	POLYCENTER Software Installation utility (PRODUCT)
4	SCA Control Program utility (SCACP)
5	Show Cluster (SHOW CLUSTER)
6	System Generation (SYSGEN)
7	System Management (SYSMAN)
8	USB Configuration Manager (UCM)

(continued on next page)

Table 1 (Cont.) Manual Structure

Part	Utility
9	XA Gateway Control Program utility (XGCP)

Related Documents

For more information on the system management utilities, refer to the following documents:

- *HP OpenVMS System Management Utilities Reference Manual: A-L*
- *HP OpenVMS System Services Reference Manual*
- *HP OpenVMS System Manager's Manual*
- *HP OpenVMS DCL Dictionary*
- *HP OpenVMS Guide to System Security*
- *POLYCENTER Software Installation Utility Developer's Guide*
- *OpenVMS License Management Utility Manual*
- *OpenVMS User's Manual*
- *OpenVMS VAX Device Support Manual* (Archived, available on the *OpenVMS Documentation CD-ROM*.)
- *OpenVMS Programming Concepts Manual*
- *OpenVMS Programming Interfaces: Calling a System Routine*
- *OpenVMS Record Management Services Reference Manual*
- *POLYCENTER Software Installation Utility Developer's Guide*
- *HP Volume Shadowing for OpenVMS*
- *OpenVMS Cluster Systems*
- *Writing OpenVMS Alpha Device Drivers in C* (Margie Sherlock and Leonard Szubowicz, Digital Press, 1996)

For additional information about HP OpenVMS products and services, visit the following World Wide Web address:

<http://www.hp.com/go/openvms>

Reader's Comments

HP welcomes your comments on this manual. Please send comments to either of the following addresses:

Internet	openvmsdoc@hp.com
Postal Mail	Hewlett-Packard Company OSSG Documentation Group, ZKO3-4/U08 110 Spit Brook Rd. Nashua, NH 03062-2698

How To Order Additional Documentation

For information about how to order additional documentation, visit the following World Wide Web address:

<http://www.hp.com/go/openvms/doc/order>

Conventions

VMScluster systems are now referred to as OpenVMS Cluster systems. Unless otherwise specified, references to OpenVMS Cluster systems or clusters in this document are synonymous with VMScluster systems.

The contents of the display examples for some utility commands described in this manual may differ slightly from the actual output provided by these commands on your system. However, when the behavior of a command differs significantly between OpenVMS VAX and OpenVMS Alpha, that behavior is described in text and rendered, as appropriate, in separate examples.

In this manual, every use of DECwindows and DECwindows Motif refers to DECwindows Motif for OpenVMS software.

The following conventions are also used in this manual:

Ctrl/ <i>x</i>	A sequence such as Ctrl/ <i>x</i> indicates that you must hold down the key labeled Ctrl while you press another key or a pointing device button.
PF1 <i>x</i>	A sequence such as PF1 <i>x</i> indicates that you must first press and release the key labeled PF1 and then press and release another key or a pointing device button.
Return	In examples, a key name enclosed in a box indicates that you press a key on the keyboard. (In text, a key name is not enclosed in a box.) In the HTML version of this document, this convention appears as brackets, rather than a box.
. . .	A horizontal ellipsis in examples indicates one of the following possibilities: <ul style="list-style-type: none">• Additional optional arguments in a statement have been omitted.• The preceding item or items can be repeated one or more times.• Additional parameters, values, or other information can be entered.
. . . .	A vertical ellipsis indicates the omission of items from a code example or command format; the items are omitted because they are not important to the topic being discussed.
()	In command format descriptions, parentheses indicate that you must enclose the options in parentheses if you choose more than one.
[]	In command format descriptions, brackets indicate optional choices. You can choose one or more items or no items. Do not type the brackets on the command line. However, you must include the brackets in the syntax for OpenVMS directory specifications and for a substring specification in an assignment statement.

[]	In command format descriptions, vertical bars separate choices within brackets or braces. Within brackets, the choices are options; within braces, at least one choice is required. Do not type the vertical bars on the command line.
{ }	In command format descriptions, braces indicate required choices; you must choose at least one of the items listed. Do not type the braces on the command line.
bold text	This text style represents the introduction of a new term or the name of an argument, an attribute, or a reason.
<i>italic text</i>	Italic text indicates important information, complete titles of manuals, or variables. Variables include information that varies in system output (Internal error <i>number</i>), in command lines (<i>PRODUCER=name</i>), and in command parameters in text (where <i>dd</i> represents the predefined code for the device type).
UPPERCASE TEXT	Uppercase text indicates a command, the name of a routine, the name of a file, or the abbreviation for a system privilege.
Monospace type	Monospace type indicates code examples and interactive screen displays. In the C programming language, monospace type identifies the following elements: keywords, the names of independently compiled external functions and files, syntax summaries, and references to variables or identifiers introduced in an example.
-	A hyphen at the end of a command format description, command line, or code line indicates that the command or statement continues on the following line.
numbers	All numbers in text are assumed to be decimal unless otherwise noted. Nondecimal radixes—binary, octal, or hexadecimal—are explicitly indicated.

1.1 MONITOR Description

The Monitor utility (MONITOR) is a system management tool used to obtain information about operating system performance. MONITOR allows you to monitor classes of systemwide performance data (such as system I/O statistics, page management statistics, and time spent in each of the processor modes) at specifiable intervals, and produce several types of output.

To monitor a particular class of information, specify the class names corresponding to the information classes that you want to monitor. For example, to monitor page management statistics, specify the PAGE class name in the MONITOR command. MONITOR collects system performance data by class and produces the following three forms of optional output:

- A disk recording file in binary format
- Statistical terminal displays
- A disk file containing statistical summary information in ASCII format

The utility initiates a single MONITOR request for the classes of performance data specified each time you enter a command in the following form:

```
MONITOR [/qualifier[,...]] classname[,...] [/qualifier[,...]]
```

Regardless of the order in which you specify classname parameters, MONITOR always executes requests in the following sequence:

```
PROCESSES  
STATES  
MODES  
PAGE  
IO  
FCP  
LOCK  
DECNET  
FILE_SYSTEM_CACHE  
DISK  
DLOCK  
SCS  
SYSTEM  
CLUSTER  
RMS  
MSCP_SERVER  
TRANSACTION  
VECTOR  
VBS (VAX Only)  
TIMER  
RLOCK
```

Depending on the command qualifiers specified, MONITOR collects system performance data from the running system or plays back data recorded previously in a recording file. When you play back data, you can display it, summarize it, and even rerecord it to reduce the amount of data in the recording file.

MONITOR

1.2 MONITOR Usage Summary

1.2 MONITOR Usage Summary

The Monitor utility (MONITOR) is a system management tool that enables you to obtain information about operating system performance.

Format

MONITOR

Parameters

None.

Description

Issuing the MONITOR command from the DCL prompt invokes the Monitor utility and allows you to use any of the Monitor utility commands as follows:

```
$ MONITOR
MONITOR>
```

To begin monitoring a system, issue the Monitor utility MONITOR command.

Note

If you attempt to monitor a remote node that is incompatible, the system displays the following message:

```
%MONITOR-E-SRVMISMATCH, MONITOR server on remote node is an incompatible version
```

If you receive this message, contact your HP support representative for a remedial kit that corrects this problem.

Before you install the remedial kit, you can still use MONITOR to obtain data about the remote node. To do this, record the data on the remote node, and then run the MONITOR playback feature to examine the data on the local node.

Generally, each MONITOR request runs until the time specified or implied by the /ENDING qualifier. To exit from MONITOR, enter the EXIT command at the MONITOR> prompt or press Ctrl/Z. To terminate a MONITOR request without exiting from the utility, press Ctrl/C.

Information collected by MONITOR is normally displayed as ASCII screen images. You can use the optional /DISPLAY qualifier to specify a disk file to contain the information. If you omit the file specification, output is directed to SYS\$OUTPUT. See the Monitor utility MONITOR command for a discussion of the /DISPLAY qualifier.

You can also initiate MONITOR requests from command level by entering the DCL command MONITOR with the desired qualifiers and parameters. However, in terms of conserving system resources, it is preferable to initiate requests in response to the MONITOR> prompt.

1.3 MONITOR Commands

This section describes and provides examples of MONITOR commands. For commands that specify classname parameters (other than ALL_CLASSES), a sample display or summary of each class is provided, with a brief description of the items in the class.

MONITOR recognizes the exclamation point (!) as a comment character. Thus, full- or partial-line comments are acceptable in command files specified as input to MONITOR.

Note that in MONITOR, **rate** indicates the number of occurrences per second. For example, the Page Fault rate indicates the number of page faults per second.

The following table lists the commands described in this section:

Command	Description
CONVERT	Converts a pre-Version 5.0 MONITOR recording file to the current format
EXECUTE (@)	Executes a series of MONITOR commands contained in a file
EXIT	Terminates MONITOR, returning control to command level
HELP	Displays information about MONITOR
INITIALIZE	Reestablishes initial default settings for parameters and qualifiers altered by the SET DEFAULT command
MONITOR	Initiates monitoring of statistics for the classes of information you specify
SET DEFAULT	Sets command qualifier, classname parameter, and classname qualifier defaults for the MONITOR command
SHOW DEFAULT	Displays the defaults established by the SET DEFAULT command

MONITOR CONVERT

CONVERT

The CONVERT command converts a pre-Version 5.0 MONITOR recording file to the current format.

Format

CONVERT file-spec

Parameter

file-spec

Specifies the file to be converted. The default file specification is MONITOR.DAT.

Qualifier

/OUTPUT

The file specification of the converted file. The default specification is MONITOR.DAT.

Description

You must convert pre-Version 5.0 recording files to the current format before attempting to play them back with the current MONITOR version.

Example

```
MONITOR> CONVERT 24MAY_MONITOR.DAT/OUTPUT=24MAY_NEWMON.DAT
```

This command converts the file 24MAY_MONITOR.DAT to the current format and names the output file 24MAY_NEWMON.DAT.

EXECUTE (@)

The EXECUTE command or the at sign (@) executes a series of MONITOR commands contained in a file.

Format

EXECUTE (@) file-spec

Parameter

file-spec

Specifies a command file to be executed by the EXECUTE (@) command.

Qualifiers

None.

Description

With the EXECUTE command, you can direct MONITOR to obtain command input from a specified file rather than from the terminal. The file can contain any valid MONITOR command except an EXECUTE (@) command. Commands in the file are executed sequentially. If you omit the optional file specification, the default is MONITOR.MON.

After the file has executed, subsequent commands are obtained from the terminal.

Example

```
MONITOR> EXECUTE INQMEM.MON
```

```
.  
.
```

```
MONITOR> MONITOR /RECORD
```

Contents of the file INQMEM.MON are as follows:

```
! This file sets defaults for a memory management inquiry using  
! INTERVAL=5, PAGE, IO, and PROCESSES/TOPFAULT  
!
```

```
.  
.
```

```
SET DEFAULT /INTERVAL=5 PAGE, IO, PROCESSES/TOPFAULT
```

In this example, appropriate default values for a memory management investigation are established in the file INQMEM.MON, and the file is executed with the EXECUTE command. Then a subsequent MONITOR command uses those defaults, adding the /RECORD qualifier, to display and record the selected classes with a 5-second interval.

Note that the defaults established when the file INQMEM.MON is executed remain in effect until changed explicitly or until you exit from the utility.

MONITOR EXIT

EXIT

The EXIT command terminates MONITOR, returning control to command level.

Format

EXIT

Parameters

None.

Qualifiers

None.

HELP

The HELP command displays information about MONITOR.

Format

HELP [command]

Parameter

command

Specifies the name of a MONITOR command for which HELP is desired.

Qualifiers

None.

Example

```
MONITOR> HELP MONITOR INITIALIZE
```

The INITIALIZE command reestablishes initial default settings for parameters and qualifiers previously altered by the SET DEFAULT command.

The command in this example requests help information about the INITIALIZE command.

MONITOR INITIALIZE

INITIALIZE

The INITIALIZE command reestablishes initial default settings for parameters and qualifiers altered by the SET DEFAULT command.

Format

INITIALIZE

Parameters

None.

Qualifiers

None.

MONITOR

The MONITOR command initiates monitoring of statistics for the classes of information you specify.

Format

MONITOR [/command qualifier[,...]] classname[,...] [/classname qualifier[,...]]

Parameter

classname[,...]

Specifies the class of performance data to be monitored. To monitor all classes, specify the ALL_CLASSES parameter. When you specify several classes, separate the classname parameters with commas or plus signs. You cannot specify the CLUSTER class name with any other class name. Cluster monitoring functions require that DECnet for OpenVMS be installed.

You must specify one or more of the following parameters:

Parameter	Description
ALL_CLASSES	Statistics for all classes
CLUSTER	Clusterwide performance statistics
DECNET	DECnet for OpenVMS statistics
DISK	Disk I/O statistics
DLOCK	Distributed lock management statistics
FCP	File control primitive statistics
FILE_SYSTEM_CACHE	File system cache statistics
IO	System I/O statistics
LOCK	Lock management statistics
MODES	Time spent in each of the processor modes
MSCP_SERVER	MSCP server statistics
PAGE	Page management statistics
PROCESSES	Statistics on all processes
RLOCK	Dynamic lock remastering statistics
RMS	Record Management Services statistics
SCS	System Communications Services statistics
STATES	Number of processes in each of the scheduler states
SYSTEM	Summary of statistics from other classes
TIMER	Timer Queue Entry (TQE) statistics
TRANSACTION	DECdtm services statistics
VBS (VAX Only)	Virtual balance slot statistics
VECTOR	Vector processor scheduled usage

This section describes qualifiers for the MONITOR and SET DEFAULT commands. Note that these commands accept the same qualifiers. As these qualifiers follow the standard rules of DCL grammar as specified in the *HP OpenVMS DCL Dictionary*, you can abbreviate any qualifier or keyword as long

MONITOR MONITOR

as the abbreviation is not ambiguous. Use the asterisk (*) and the percent sign (%) as wildcard characters unless otherwise noted.

Command Qualifier Descriptions

/BEGINNING=time

Specifies the time that monitoring begins, by using a combination of absolute and delta times. Observe the syntax rules for time values described in the online help topic DCL_Tips (subtopic Date_Time).

If you are monitoring a running system, and you omit the /BEGINNING qualifier, monitoring begins when you enter the MONITOR command. However, if you have specified the /INPUT qualifier to play back data from an input recording file, /BEGINNING defaults to the beginning time recorded in the input file. If you specify /BEGINNING with a time but are playing back a recording file, MONITOR selects either the beginning time of the file or the beginning time you specify, whichever is later. If you are monitoring a remote node, the local node time is used to determine beginning time.

If you specify a future time for a request to monitor a running system, MONITOR issues an informational message, and the process issuing the request hibernates until the specified time. This feature can be useful when you run MONITOR from a batch job.

/BY_NODE

/NOBY_NODE

Specifies that performance class data in a multifile summary be displayed as a single column of AVERAGE statistics for each node.

The /BY_NODE qualifier displays data in a multifile summary. If you specify only one input file, MONITOR ignores the /BY_NODE qualifier because you are not performing a multifile summary.

You can specify the /BY_NODE qualifier only in combination with the /SUMMARY qualifier. One column of AVERAGE statistics per node appears for each class requested.

By default, multifile summaries include one column of AVERAGE statistics for each node requested in each input file.

/COMMENT=string

/NOCOMMENT (default)

Specifies an ASCII string to be stored in the output recording file. The string can contain up to 60 characters.

The /COMMENT qualifier is valid only when /RECORD is also specified. (MONITOR ignores the /COMMENT qualifier if you do not use the /RECORD qualifier in the command line.) If you omit the qualifier or specify /NOCOMMENT, a string consisting of 60 blanks is stored in the recording file by default.

When a recording file containing a comment is played back, the comment is included in the heading of the display or single-file summary. Note that comment text is not displayed on playback for the CLUSTER class unless either the /SUMMARY or the /ALL qualifier is also used.

/DISPLAY[=file-spec] (default)**/NODISPLAY**

Specifies whether information collected by MONITOR is to be displayed as ASCII screen images. Optionally names the disk file to contain the output.

If you omit the optional file specification, output is written to SYS\$OUTPUT.

Note that although display output is produced by default, display output is never produced when a multifile summary is requested.

/ENDING=time

Specifies the time that monitoring ends, by using a combination of absolute and delta times. Observe the syntax rules for time values described in the online help topic DCL_Tips (subtopic Date_Time).

If you are monitoring a running system and omit the /ENDING qualifier, monitoring continues until you terminate the request with Ctrl/C or Ctrl/Z. If you have also specified the /INPUT qualifier to play back data from an input recording file, /ENDING defaults to the ending time recorded in the input file. If you specify /ENDING with a time, but are playing back a recording file, MONITOR selects the earlier of the ending time of the file and the ending time you specify. For live requests, the local node's time-stamp is used to determine ending time.

You can prematurely terminate a request, regardless of the value of the /ENDING qualifier, by pressing Ctrl/C or Ctrl/Z. To prematurely terminate a request running in a noninteractive process (that is, a batch job or a detached process or subprocess), enter the appropriate DCL command to terminate the process.

/FLUSH_INTERVAL=seconds

Specifies the interval, in seconds, at which data collected by MONITOR (contents of MONITOR buffers) is written to disk. Values must be in the range from 1 to 9,999. The default interval is 300 seconds.

If you are writing data to a shared recording file currently in use, specify a short interval to ensure that others accessing the file receive data that is as current as possible. The smaller the interval, the less data is lost if a system failure occurs while recording.

/INPUT[(file-spec,...)]**/NOINPUT (default)**

Controls whether performance data is played back from one or more input files or collected from the running system. If you specify more than one file, enclose the list in parentheses, and separate the file specifications with commas. Wildcard characters are allowed in the file specification.

Caution

Data in all files in the list must have been collected by the same OpenVMS version.

With multiple input files, you must use the /SUMMARY qualifier. The maximum number of files MONITOR accepts for a multifile summary is 5000. In a multifile summary request, the classes CLUSTER and PROCESSES are ignored. If these classes are the only classes specified on the command line, MONITOR does not recognize them and displays a "no classes specified" error message.

MONITOR MONITOR

In a list of input files, any omitted segment of the file specification (name or type) is defaulted to the corresponding segment of the previous file specification.

If you omit the file type, and you have not specified the file type previously in an input file list, the default file type .DAT is used. If you omit the file specification, MONITOR assigns the default file name MONITOR.DAT. The current device and directory defaults are applied.

If you omit the qualifier, performance data is collected from the running system.

/INTERVAL=seconds

Specifies the sampling interval between data collection events, recording events, and display events. Values can range from 1 to 9,999,999.

Collection events, recording events, and display events occur within a MONITOR request. Use the /INTERVAL qualifier to control the frequency of these events. A collection event causes raw data for all requested classes to be collected from the operating system or from a previously recorded file. A recording event causes data for all requested classes to be written to a recording file. A display event causes a screen image to be composed, for a single class, from the accumulated data collected for that class since the beginning of the MONITOR request.

For live collection requests, a collection event is always followed immediately by a recording event (if requested). The frequency of collection/recording event pairs is controlled by the /INTERVAL qualifier, which specifies the number of seconds that must elapse between occurrences of the event pair. Display events occur asynchronously to collection/recording event pairs at a frequency governed by the /VIEWING_TIME qualifier.

For playback requests, a collection event occurs each time a new interval is encountered in the input file of previously recorded data. A recording event (if requested) does not necessarily follow immediately as it does in live collection. Its frequency is still governed by the /INTERVAL qualifier; the specified /INTERVAL value is interpreted in terms of the /INTERVAL value specified when the input file was created. The new value must be an integral multiple of the original value. A recording event is then triggered every time an interval is encountered in the input file that is the appropriate multiple of the original interval.

For playback requests, occurrences of display events (if requested) are indicated in exactly the same way as recording events (with the /INTERVAL qualifier) and immediately follow recording events (if both are specified). The actual length of time a displayed image remains on the screen is still specified with the /VIEWING_TIME qualifier, but, unlike the live collection case, this qualifier is not used to signal a display event.

The following table summarizes which qualifiers cause the various MONITOR events:

Event	Live Collection Qualifier	Playback Qualifier
Collection	/INTERVAL	Original /INTERVAL value (from file)
Recording	/INTERVAL	/INTERVAL
Display	/VIEWING_TIME	/INTERVAL

Note that, for live requests, the collection interval is defined as the number of seconds from the end of one collection event to the beginning of the next. A collection event includes collection for all requested classes on all nodes specified.

(For multiple-node requests, a collection event must complete on all nodes before a new event is initiated.) Therefore, the elapsed time from the beginning of one collection event to the beginning of the next is the interval value plus the time it takes to do the collection. For some requests, notably those including many classes or the PROCESSES, RMS, CLUSTER, or SYSTEM classes, collection time can be significant.

For /INPUT requests, the interval value defaults to the value specified in the input recording file. The default for monitoring the running system is 3 seconds for all classes except ALL_CLASSES, CLUSTER, and SYSTEM, which have a default of 6 seconds.

/NODE=(nodename,...)

Specifies the nodes (up to 48 in a cluster) for which data is to be collected. If you specify more than one name, separate the names with commas, and enclose the list in parentheses.

Remote monitoring in an OpenVMS Cluster environment might not be compatible for nodes that are running different OpenVMS versions. The following table shows the compatibility of versions for remote monitoring:

	OpenVMS Alpha and VAX Version 6.0 and later	OpenVMS Alpha Version 1.5 and VAX Version 5.n
OpenVMS Alpha and VAX Version 6.0 or later	Yes	No
OpenVMS Alpha Version 1.5 and VAX Version 5.n	No	Yes

To obtain data from an incompatible remote node, record the data on the remote node and then use the MONITOR playback feature to examine the data on the local node. The *HP OpenVMS System Manager's Manual* describes remote monitoring. If you specify multiple node names with multiple system classes, MONITOR displays one class at a time for each node. For example, the command MONITOR/NODE=(NODE_A,NODE_B) STATES,MODES generates STATES data for NODE_A and NODE_B and then MODES data.

/OUTPUT=file-spec

Used with the CONVERT command, this qualifier specifies the name of the converted recording file. The default specification is MONITOR.DAT. File lists are not permitted.

Recording files produced using MONITOR prior to VMS Version 5.0 must be converted to the current format before they can be played back by the current MONITOR version.

/RECORD[=file-spec]

/NORECORD (default)

Specifies that a binary disk file be created containing all collected data for the request. Note that recording is restricted to files on disks. No wildcard characters are allowed in the file specification. If you omit the file type, the default file type is .DAT. If you omit the file specification, output is generated to a file named MONITOR.DAT in the current default device and directory. If you specify an existing file but omit the version number, a new version of the file is created.

MONITOR MONITOR

The output consists of all data for the requested classes, regardless of the classname qualifiers specified. Note that recording file output is not produced when a multifile summary is requested.

/SUMMARY[=file-spec]

/NOSUMMARY (default)

Specifies that an ASCII disk file be created containing summary statistics on all data collected for this request. If the optional file specification is omitted, it defaults to MONITOR.SUM.

The summary file, generated at the end of monitoring, contains one or more pages of output for each requested class. The format of each page is similar to that of display output and is determined by the classname qualifiers. The /ALL qualifier is applied to all class names for which no other qualifier is specified.

/VIEWING_TIME=seconds

Specifies the duration for each screen image display for /DISPLAY requests. Values can range from 1 to 9,999,999.

If you are monitoring the running system, /VIEWING_TIME defaults to the /INTERVAL value. If you specify /INPUT, and you are monitoring a recording file, /VIEWING_TIME defaults to 3 seconds.

Effective viewing time varies, however, depending on whether you are running MONITOR on your local system or on a remote node. (*Remote* in this context refers to the use of the SET HOST command to access another node.) For remote access, the time required to display the screen is included in the viewing time, while for local access, this time is not included. Therefore, use a larger viewing time than the 3-second default when running MONITOR on a remote system. The value appropriate for remote access depends on your terminal baud rate. For a 9600-baud terminal line, 6 seconds is a reasonable viewing time.

Note also that the time between full screens of data for the PROCESSES display is controlled by this qualifier.

MONITOR ALL_CLASSES

The MONITOR ALL_CLASSES command initiates monitoring of statistics for all classes except the CLUSTER and RMS classes.

Format

MONITOR ALL_CLASSES

Command Qualifiers

/qualifier[,...]

One or more qualifiers as described in the Command Qualifier Descriptions section.

Classname Qualifiers

/ALL

Specifies that a table of all available statistics (current, average, minimum, and maximum) is to be included in the display and summary output. For summary output, this qualifier is the default for all classes; otherwise, it is the default for all classes except CLUSTER, MODES, PROCESSES, STATES, SYSTEM, and VECTOR.

/AVERAGE

Specifies that a bar graph of average statistics is to be included in the display and summary outputs.

/CURRENT

Specifies that a bar graph of current statistics is to be included in the display and summary outputs. The /CURRENT qualifier is the default for the CLUSTER, MODES, STATES, SYSTEM, and VECTOR classes.

/MAXIMUM

Specifies that a bar graph of maximum statistics is to be included in the display and summary outputs.

/MINIMUM

Specifies that a bar graph of minimum statistics is to be included in the display and summary outputs.

Description

If you do not specify any qualifiers with the ALL_CLASSES parameter, normal default output is produced for each class. The qualifiers have no effect on display of the PROCESSES class.

Note that the default interval is 6 seconds.

The MONITOR ALL_CLASSES command is particularly useful for playback of recording files because it eliminates the need to specify the particular classes of performance data the recording file contains. To override any of the default qualifiers, specify the class name with the qualifier after specifying ALL_CLASSES.

MONITOR

MONITOR ALL_CLASSES

Example

```
MONITOR> MONITOR/INPUT=SYS$MANAGER:LOADBAL.DAT ALL_CLASSES,PROCESSES/TOPCPU
```

This command initiates playback of the recording file
SYS\$MANAGER:LOADBAL.DAT. All data contained in the file will be displayed.

MONITOR CLUSTER

The **MONITOR CLUSTER** command initiates monitoring of the **CLUSTER** statistics class, which shows clusterwide CPU, memory, disk, and locking activity.

Format

MONITOR CLUSTER

Command Qualifiers

/qualifier[,...]

One or more qualifiers as described in the Command Qualifier Descriptions section.

Classname Qualifiers

/ALL

Specifies that a table of all available statistics (current, average, minimum, and maximum) is to be included in the display and summary output. For summary output, this qualifier is the default for all classes; otherwise, it is the default for all classes except **CLUSTER**, **MODES**, **PROCESSES**, **STATES**, **SYSTEM**, and **VECTOR**.

/AVERAGE

Specifies that a bar graph of average statistics is to be included in the display and summary outputs.

/CURRENT

Specifies that a bar graph of current statistics is to be included in the display and summary outputs. The **/CURRENT** qualifier is the default for the **CLUSTER**, **MODES**, **STATES**, **SYSTEM**, and **VECTOR** classes.

/MAXIMUM

Specifies that a bar graph of maximum statistics is to be included in the display and summary outputs.

/MINIMUM

Specifies that a bar graph of minimum statistics is to be included in the display and summary outputs.

Description

For the **CLUSTER** class, **MONITOR** collects data items for up to 48 nodes in a cluster. Because this class combines the most significant clusterwide performance statistics in a single display, it is particularly useful to cluster managers and other users seeking an overview of cluster activity.

MONITOR does not recognize nodes that enter the cluster while a request is active. **MONITOR**, therefore, does not collect data for these nodes.

You cannot specify the **CLUSTER** class in the same request with any other class.

MONITOR MONITOR CLUSTER

In a multiframe summary request, the classes CLUSTER and PROCESSES are ignored. If these classes are the only classes specified on the command line, MONITOR does not recognize them and displays a "no classes specified" error message. MONITOR does not recognize these classes if they are the only classes specified on the command line, and displays a "no classes specified" error message.

The CLUSTER class includes the following data items:

Data Item	Description
CPU Busy	Percentage of CPU in use; includes activity in all processor modes (except Idle Time) for each node.
Percent Memory In Use	Memory in use on each node; calculated by dividing the Free List Size by total available memory and subtracting the result from 100%.
I/O Operation Rate	Total rate of disk I/O operations on each disk by all nodes currently active in the request. In cluster configurations, the MSCP server software makes locally attached and HSC disks available to other nodes. A node uses <i>remote</i> access to a disk when it accesses the disk through another VAX node (using the MSCP server). A node uses <i>direct</i> access to a disk when it directly accesses a locally attached or HSC disk. An "R" following the device name indicates that the displayed statistics represent I/O operations requested by nodes using remote access. If an "R" does not appear after the device name, the displayed statistics represent I/O operations issued by nodes with direct access. These I/O operations might include those issued by the MSCP server on behalf of remote requests.
Total ENQ/DEQ Rate	Sum of all local, incoming, and outgoing ENQs, DEQs, and conversions.

Two display formats are provided, depending on the classname qualifier specified:

- A tabular style format for the /ALL qualifier
- A bar graph style format for the /AVERAGE, /CURRENT, /MAXIMUM, and /MINIMUM qualifiers

Beginning in OpenVMS Version 7.3, the range of rate fields has been increased in the MONITOR CLUSTER screen display as follows:

Rate Name	Old Rate	New Rate
I/O Operation	0 - 25 - 50 - 75 - 100	0 - 125 - 250 - 375 - 500
Lock	Scale from 0 to 500	Scale from 0 to 1000

Note to Cluster Managers on MONITOR_SERVER Process

When users enter the MONITOR CLUSTER command, MONITOR activates the image SYS\$SYSTEM:VPM.EXE, which creates a process called MONITOR_SERVER on each **remote** cluster node. (If users specify the /NODE qualifier with

MONITOR MONITOR CLUSTER

the MONITOR CLUSTER command or with any command of the form MONITOR class name, MONITOR creates the process only on the specified nodes.) The server process gathers data from remote nodes for live display or to record on the local node. To ensure accurate and timely data collection, the process is started at priority 15. Because server processes consume minimal resources, they have no significant effect on system performance.

By default, MONITOR_SERVER processes are started in the system DECnet account, which is created when the NETCONFIG.COM command procedure executes at bootstrap time. If this account is not present on your system, you must either create it by executing NETCONFIG.COM, or specify another account in which the server processes can be started.

If you want to start the processes in another account, use the following sequence of commands to define VPM as known object 51 in the DECnet database and associate the object with the desired account:

```
$ SET PROCESS/PRIVILEGE=SYSPRV
$ RUN SYSS$SYSTEM:NCP
NCP> DEFINE OBJECT VPM NUMBER 51 -
  _ FILE SYSS$SYSTEM:VPM.EXE -
  _ PROXY NONE -
  _ ACCOUNT account -
  _ USER user-id -
  _ PASSWORD password
NCP> SET OBJECT VPM NUMBER 51 -
  _ FILE SYSS$SYSTEM:VPM.EXE -
  _ PROXY NONE -
  _ ACCOUNT account -
  _ USERNAME user-id -
  _ PASSWORD password
NCP> EXIT
$ SET PROCESS/PRIVILEGE=NOSYSPRV
```

For each server process, MONITOR creates a log file on the local node to which information about server connection activity, including error messages, is written. Note that error messages are written to the file only when errors occur. A single version is maintained for the life of the system. The default file specification has the form SYS\$COMMON:[SYSMGR]VPM\$nodename.LOG. The node name portion of the specification identifies the node on which the MONITOR_SERVER process has been started.

If you want to change the default specification, you can redefine the executive-mode logical name VPM\$LOG_FILE in the system logical name table on the appropriate nodes. For example, if you wanted to write server error logging data to the file WRKD:[MONSERVER]VPM_ERRORS.LOG, you would define VPM\$LOG_FILE as follows:

```
$ DEFINE/SYSTEM/EXECUTIVE MODE VPM$LOG_FILE -
_ $ WRKD:[MONSERVER]VPM_ERRORS.LOG
```

To direct to a single file data for all MONITOR_SERVER processes on the cluster, you could assign the logical name the same value on each member system. Note that because the log files are created as shared sequential files, multiple server processes can access them simultaneously.

If you routinely monitor your cluster, you can reduce server startup time significantly by creating MONITOR_SERVER processes on each member node at bootstrap time and maintaining the processes for the life of the system. To do so, add the following lines to the appropriate site-independent startup command files:

MONITOR MONITOR CLUSTER

```
$ DEFINE/SYSTEM/EXECUTIVE MODE VPM$SERVER LIVE TRUE
$ RUN/DETACH/PAGE_FILE=10000 SYSS$SYSTEM:VPM.EXE
```

You can enter these commands interactively at any time if you have the following privileges: ALTPRI, NETMBX, PSWAPM, SYSNAM, SYSPRV, and TMPMBX.

Example

```
MONITOR> MONITOR CLUSTER/ALL
```

```
OpenVMS Monitor Utility
CLUSTER STATISTICS
on node CURLEY
29-APR-2003 12:25:13
```

CPU Busy	CUR	AVE	MIN	MAX
LARRY	100.00	100.00	100.00	100.00
CURLEY	100.00	99.83	100.00	100.00
MOE	8.52	8.50	8.52	8.52

```
OpenVMS Monitor Utility
CLUSTER STATISTICS
on node CURLEY
29-APR-2003 12:25:19
```

%Memory In Use	CUR	AVE	MIN	MAX
MOE	88.00	88.00	88.00	88.00
LARRY	78.00	78.00	77.00	78.00
CURLEY	72.00	72.50	72.00	72.00

```
OpenVMS Monitor Utility
CLUSTER STATISTICS
on node CURLEY
29-APR-2003 12:25:25
```

I/O Operation Rate	CUR	AVE	MIN	MAX
\$111\$DUA7: (DECEIT) SQMCLUSTERV4	0.48	6.53	0.48	10.41
\$111\$DUA6: (DECEIT) QUALD	1.93	1.07	0.00	1.93
\$111\$DUA4: (DECEIT) PAGESWAPDISK	1.44	0.96	0.00	1.44
\$111\$DUA2: (DECEIT) TSDPERF	0.32	0.53	0.16	1.12
LARRY\$DRA3: QUALQUEST	0.00	0.21	0.00	0.64
MOE\$DMA1: UVMSQAR	0.00	0.00	0.00	0.00
MOE\$DRA5: USER01	0.00	0.00	0.00	0.00
LARRY\$DRA4: TIMEDEV	0.00	0.00	0.00	0.00
LARRY\$DBB3: REGLIB	0.00	0.00	0.00	0.00
\$111\$DUA3: (DECEIT) DUMPDISK	0.00	0.00	0.00	0.00
\$111\$DUA5: (DECEIT) BPMDISK	0.00	0.00	0.00	0.00
\$111\$DJA8: (DECEIT) ORLEAN	0.00	0.00	0.00	0.00
\$111\$DJA10: (DECEIT) QMISDATABASE	0.00	0.00	0.00	0.00
\$111\$DJA9: (DECEIT) MPI\$DATA	0.00	0.00	0.00	0.00

MONITOR MONITOR CLUSTER

OpenVMS Monitor Utility
CLUSTER STATISTICS
on node CURLEY
29-APR-2003 12:25:56

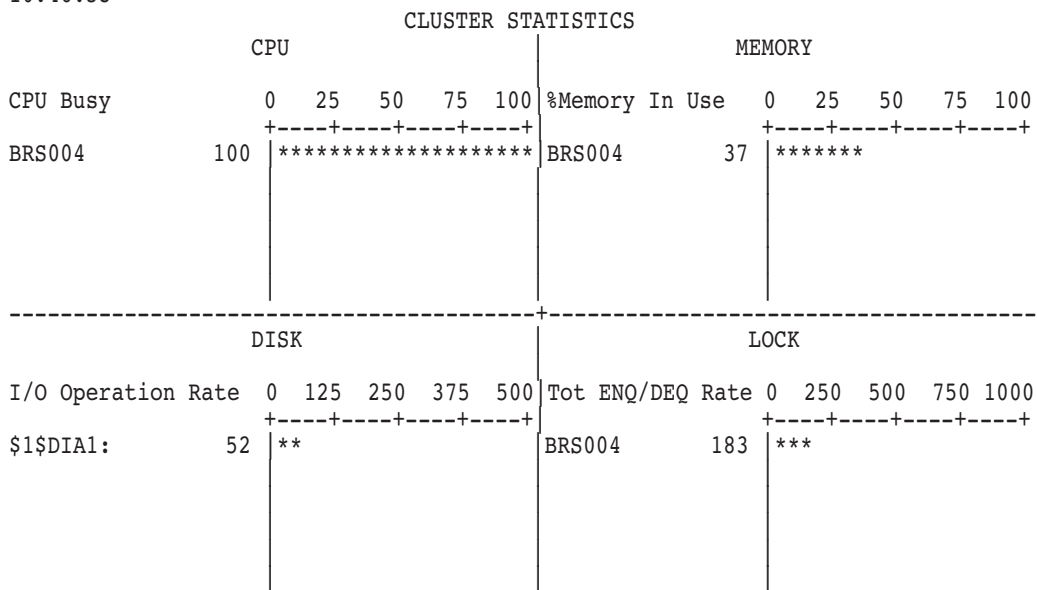
Tot ENQ/DEQ Rate	CUR	AVE	MIN	MAX
MOE	7.90	14.92	0.00	43.12
LARRY	20.48	14.64	0.00	46.92
CURLEY	1.93	13.29	0.00	57.30

The preceding example shows the tabular style format for the CLUSTER display.

MONITOR> MONITOR CLUSTER/CURRENT

Statistic: CURRENT
10:46:53

OpenVMS Monitor Utility 5-JUN-2003



The preceding example shows the bar graph style format for a CLUSTER/CURRENT display.

MONITOR MONITOR DECNET

MONITOR DECNET

The MONITOR DECNET command initiates monitoring of the DECNET class, which includes information about DECnet for OpenVMS network activity.

Format

MONITOR DECNET

Command Qualifiers

/qualifier[,...]

One or more qualifiers as described in the Command Qualifier Descriptions section.

Classname Qualifiers

/ALL

Specifies that a table of all available statistics (current, average, minimum, and maximum) is to be included in the display and summary output. For summary output, this qualifier is the default for all classes; otherwise, it is the default for all classes except CLUSTER, MODES, PROCESSES, STATES, SYSTEM, and VECTOR.

/AVERAGE

Specifies that a bar graph of average statistics is to be included in the display and summary outputs.

/CURRENT

Specifies that a bar graph of current statistics is to be included in the display and summary outputs. The /CURRENT qualifier is the default for the CLUSTER, MODES, STATES, SYSTEM, and VECTOR classes.

/MAXIMUM

Specifies that a bar graph of maximum statistics is to be included in the display and summary outputs.

/MINIMUM

Specifies that a bar graph of minimum statistics is to be included in the display and summary outputs.

Description

The DECNET class consists of the following data items:

Data Item	Description
Arriving Local Packet Rate	Rate at which local packets are being received.
Departing Local Packet Rate	Rate at which local packets are being sent.
Arriving Transit Packet Rate	Rate at which transit packets are arriving.
Transit Congestion Loss Rate	Rate of transit congestion loss.
Receiver Buffer Failure Rate	Rate of receiver buffer failures.

Example

MONITOR> MONITOR DECNET

```
OpenVMS Monitor Utility
DECNET STATISTICS
on node SAMPLE
29-APR-2003 22:22:44
```

	CUR	AVE	MIN	MAX
Arriving Local Packet Rate	9.54	5.08	0.00	11.25
Departing Local Packet Rate	9.22	4.66	0.00	10.92
Arriving Trans Packet Rate	0.00	0.00	0.00	0.00
Trans Congestion Loss Rate	0.00	0.00	0.00	0.00
Receiver Buff Failure Rate	0.00	0.00	0.00	0.00

This example shows that arriving and departing network packet rates (including control packets) are roughly equivalent, and that network activity is currently at a level higher than the average since monitoring began, but not at its highest point.

MONITOR MONITOR DISK

MONITOR DISK

The MONITOR DISK command initiates monitoring of the DISK statistics class. The maximum number of disks that can be monitored for record output is 909, and for display and summary output is 1817.

Format

MONITOR DISK

Command Qualifiers

/qualifier[,...]

One or more qualifiers as described in the Command Qualifier Descriptions section.

Classname Qualifiers

/ALL

Specifies that a table of all available statistics (current, average, minimum, and maximum) is to be included in the display and summary output. For summary output, this qualifier is the default for all classes; otherwise, it is the default for all classes except CLUSTER, MODES, PROCESSES, STATES, SYSTEM, and VECTOR.

/AVERAGE

Specifies that a bar graph of average statistics is to be included in the display and summary outputs.

/CURRENT

Specifies that a bar graph of current statistics is to be included in the display and summary outputs. The /CURRENT qualifier is the default for the CLUSTER, MODES, STATES, SYSTEM, and VECTOR classes.

/ITEM=(keyword[,...])

Selects one or more data items for inclusion in display and summary outputs. If you specify two or more keywords, enclose them in parentheses, and separate them with commas. When the /ITEM qualifier is omitted, the default is /ITEM=OPERATION_RATE.

The following table describes /ITEM qualifier keywords:

Keyword	Description
ALL	Specifies that statistics on all data items collected for the disks are displayed on successive screens.
OPERATION_RATE	Specifies that I/O operation rate statistics are displayed for each disk.
QUEUE_LENGTH	Specifies that the number of I/O request packets being serviced (current or waiting) is displayed for each disk.

/MAXIMUM

Specifies that a bar graph of maximum statistics is to be included in the display and summary outputs.

/MINIMUM

Specifies that a bar graph of minimum statistics is to be included in the display and summary outputs.

/PERCENT

/NOPERCENT (default)

Controls whether statistics are expressed as percent values in display and summary outputs. The /PERCENT qualifier is applicable only to the DISK, MODES, SCS, and STATES classes.

Description

The DISK class is a component class. Data items for this class are collected for each mounted disk device in a single-node or cluster system. The DISK class consists of the following data items:

Data Item	Description
I/O Operation Rate	Rate at which I/O operations occur on each disk. By comparing operation rates for all disks in the system, you can tell which disks are busy and which are idle. However, because this statistic does not provide information about the time required for individual operations, use discretion in interpreting it.
I/O Request Queue Length	Number of outstanding I/O request packets. Includes the request currently being serviced and those awaiting service. Note that, for greater precision, this item is always sampled at a 1-second interval, regardless of the value specified with the /INTERVAL command qualifier. The maximum number of disks that can be monitored is 909 for record output and 1817 for display or summary output. In previous versions, the limit was 799 disks for both types of output.

In the following example, typical of a cluster environment, note that each disk is identified by three elements:

- Disk name ending in a colon.
- Name of the cluster node through which the disk is accessed. This field appears only in the multiple-statistic display; it is not included in single-statistic displays or multifile summaries.
- Volume label.

In cluster configurations, the MSCP server software makes locally attached and HSC disks available to other nodes. A node uses *remote* access to a disk when it accesses the disk through another VAX node (using the MSCP server). A node uses *direct* access to a disk when it directly accesses a locally attached or HSC disk.

An “R” following the device name indicates that the displayed statistics represent I/O operations requested by nodes using remote access.

MONITOR MONITOR DISK

If an "R" does not appear after the device name, the displayed statistics represent I/O operations issued by nodes with direct access. These I/O operations might include those issued by the MSCP server on behalf of remote requests.

Example

```
MONITOR> MONITOR DISK/ITEM=QUEUE_LENGTH
```

```
OpenVMS Monitor Utility
DISK I/O STATISTICS
on node SAMPLE
29-APR-2003 14:19:56
```

I/O Request	Queue Length	CUR	AVE	MIN	MAX
SAMPLE\$DBA0:	SAMPLE09APR	0.00	0.00	0.00	0.00
SAMPLE\$DRA2:	SAMPLEPAGE	2.00	1.43	0.00	4.00
SAMPLE\$DRB1:	ACCREG	0.00	0.00	0.00	0.00
\$1\$DRA5:	(MOE) MOE\$\$PAGE	0.00	0.00	0.00	0.00
\$1\$DBA3:	(CURLEY) UMASTER	0.00	0.00	0.00	0.00
\$1\$DBA5:	(CURLEY) MIDNITE	0.00	0.00	0.00	0.00
\$2\$DRA7:	(LARRY) RES26APR	0.00	0.00	0.00	0.00
\$2\$DRB6:	(LARRY) CLUSTERDUMP1	0.00	0.00	0.00	0.00
\$255\$DUA4:	(SHEMP) RES06AUG	0.00	0.00	0.00	0.00
\$255\$DUA5:	(SHEMP) VMSDOCLIB	0.00	0.00	0.00	0.00

This example, typical of a cluster environment, shows the number of I/O packets awaiting service or in service for each disk. Note that the device SAMPLE\$DRA2 is the only device with a nonzero queue length. Because MONITOR samples queue lengths every second, regardless of the collection interval value, the precision of the data does not depend on the collection interval.

MONITOR DLOCK

The MONITOR DLOCK command initiates monitoring of the DLOCK (distributed lock management) statistics class.

Format

MONITOR DLOCK

Command Qualifiers

/qualifier[,...]

One or more qualifiers as described in the Command Qualifier Descriptions section.

Classname Qualifiers

/ALL

Specifies that a table of all available statistics (current, average, minimum, and maximum) is to be included in the display and summary output. For summary output, this qualifier is the default for all classes; otherwise, it is the default for all classes except CLUSTER, MODES, PROCESSES, STATES, SYSTEM, and VECTOR.

/AVERAGE

Specifies that a bar graph of average statistics is to be included in the display and summary outputs.

/CURRENT

Specifies that a bar graph of current statistics is to be included in the display and summary outputs. The /CURRENT qualifier is the default for the CLUSTER, MODES, STATES, SYSTEM, and VECTOR classes.

/MAXIMUM

Specifies that a bar graph of maximum statistics is to be included in the display and summary outputs.

/MINIMUM

Specifies that a bar graph of minimum statistics is to be included in the display and summary outputs.

Description

The DLOCK class is useful for monitoring the lock management subsystem in a cluster environment. The class consists of the following data items:

Data Item	Description
New ENQ Rate (Local)	Rate of new lock (ENQ) requests that originate and are performed on this system
New ENQ Rate (Incoming)	Rate of new lock requests that originate on other systems and are performed on this system

MONITOR MONITOR DLOCK

Data Item	Description
New ENQ Rate (Outgoing)	Rate of new lock requests that originate on this system and are performed on another system
Converted ENQ Rate (Local)	Rate of lock (ENQ) conversion requests that originate and are performed on this system
Converted ENQ Rate (Incoming)	Rate of lock conversion requests that originate on other systems and are performed on this system
Converted ENQ Rate (Outgoing)	Rate of lock conversion requests that originate on this system and are performed on another system
DEQ Rate (Local)	Rate of unlock (DEQ) requests that originate and are performed on this system
DEQ Rate (Incoming)	Rate of unlock requests that originate on other systems and are performed on this system
DEQ Rate (Outgoing)	Rate of unlock requests that originate on this system and are performed on another system
Blocking AST Rate (Local)	Rate of lock manager blocking ASTs that originate and are performed on this system
Blocking AST Rate (Incoming)	Rate of lock manager blocking ASTs that originate on other systems and are performed on this system
Blocking AST Rate (Outgoing)	Rate of lock manager blocking ASTs that originate on this system and are performed on another system
Directory Function Rate (Incoming)	Rate of requests for locks being managed by this node
Directory Function Rate (Outgoing)	Rate of requests for locks being managed by other nodes
Deadlock Message Rate	Rate of incoming and outgoing messages required for deadlock detection

MONITOR MONITOR DLOCK

Example

MONITOR> MONITOR DLOCK

```
OpenVMS Monitor Utility
DISTRIBUTED LOCK MANAGEMENT STATISTICS
on node SAMPLE
29-APR-2003 11:02:20
```

	CUR	AVE	MIN	MAX
New ENQ Rate (Local)	15.84	11.59	1.54	26.88
(Incoming)	1.67	2.62	0.11	25.05
(Outgoing)	0.05	0.63	0.00	5.99
Converted ENQ Rate (Local)	23.67	9.13	0.99	41.22
(Incoming)	4.48	5.71	0.00	70.19
(Outgoing)	0.00	1.43	0.00	15.90
DEQ Rate (Local)	15.86	11.58	1.64	26.68
(Incoming)	1.66	2.59	0.00	24.85
(Outgoing)	0.05	0.63	0.00	5.99
Blocking AST Rate (Local)	0.00	0.00	0.00	0.01
(Incoming)	0.00	0.00	0.00	0.00
(Outgoing)	0.00	0.00	0.00	0.00
Dir Functn Rate (Incoming)	8.00	7.33	4.66	11.00
(Outgoing)	1.00	0.77	0.00	2.66
Deadlock Message Rate	0.00	0.00	0.00	0.00

This example shows that most of the current lock management activity occurs locally, but that, at some point during the monitoring period, a significant amount of incoming activity occurred.

MONITOR MONITOR FCP

MONITOR FCP

The MONITOR FCP command initiates monitoring of the File Control Primitive statistics class, which includes information about all Files-11 ancillary control processes (ACPs) and extended QIO processors (XQPs) on the local node.

Format

MONITOR FCP

Command Qualifiers

/qualifier[,...]

One or more qualifiers as described in the Command Qualifier Descriptions section.

Classname Qualifiers

/ALL

Specifies that a table of all available statistics (current, average, minimum, and maximum) is to be included in the display and summary output. For summary output, this qualifier is the default for all classes; otherwise, it is the default for all classes except CLUSTER, MODES, PROCESSES, STATES, SYSTEM, and VECTOR.

/AVERAGE

Specifies that a bar graph of average statistics is to be included in the display and summary outputs.

/CURRENT

Specifies that a bar graph of current statistics is to be included in the display and summary outputs. The /CURRENT qualifier is the default for the CLUSTER, MODES, STATES, SYSTEM, and VECTOR classes.

/MAXIMUM

Specifies that a bar graph of maximum statistics is to be included in the display and summary outputs.

/MINIMUM

Specifies that a bar graph of minimum statistics is to be included in the display and summary outputs.

Description

The FCP class consists of the following data items, all of which are displayed as occurrences per second:

Data Item	Description
FCP Call Rate	Rate of QIO requests received by the file system.
Allocation Rate	Rate of calls that caused allocation of disk space.
Create Rate	Rate at which new files were created.
Disk Read Rate	Rate of read I/O operations from disk by the file system.

Data Item	Description
Disk Write Rate	Rate of write I/O operations to disk by the file system.
Volume Lock Wait Rate	Rate of entry into a wait state due to contention for a volume synchronization lock. Volume synchronization locks are removed by the XQP during file creation, deletion, extension, and truncation operations.
CPU Tick Rate	Rate at which CPU time was used by the file system (in 10-millisecond ticks).
File System Page Fault Rate	Rate at which page faults occurred in the file system.
Window Turn Rate	Rate of file-map window misses.
File Lookup Rate	Rate of file name lookup operations in file directories.
File Open Rate	Rate at which files were opened.
Erase Rate	Rate of erase operations issued by the file system.

Example

```
MONITOR> MONITOR /INTERVAL=10 FCP
```

```

OpenVMS Monitor Utility
FILE PRIMITIVE STATISTICS
  on node SAMPLE
  29-APR-2003 16:13:38

```

	CUR	AVE	MIN	MAX
FCP Call Rate	4.62	3.80	0.33	7.61
Allocation Rate	0.99	0.24	0.00	0.99
Create Rate	2.31	0.57	0.00	2.31
Disk Read Rate	1.98	2.48	0.33	6.95
Disk Write Rate	3.30	2.39	0.33	5.62
Volume Lock Wait Rate	4.62	3.06	0.00	6.95
CPU Tick Rate	3.63	3.88	0.33	10.26
File Sys Page Fault Rate	0.00	0.00	0.00	0.00
Window Turn Rate	1.98	0.99	0.00	1.98
File Lookup Rate	0.33	1.40	0.00	4.63
File Open Rate	2.00	3.54	2.00	5.10
Erase Rate	0.00	0.00	0.00	0.00

This example shows that the rate of files opened during the last 10-second collection interval was 2.0 (for a total of 20). The average rate since the MONITOR command was entered is 3.54; the highest rate achieved during any 10-second interval is 5.10, and the lowest rate of 2.0 occurred during the last interval.

MONITOR

MONITOR FILE_SYSTEM_CACHE

MONITOR FILE_SYSTEM_CACHE

The MONITOR FILE_SYSTEM_CACHE command initiates monitoring of the FILE_SYSTEM_CACHE statistics class.

Format

MONITOR FILE_SYSTEM_CACHE

Command Qualifiers

/qualifier[,...]

One or more qualifiers as described in the Command Qualifier Descriptions section.

Classname Qualifiers

/ALL

Specifies that a table of all available statistics (current, average, minimum, and maximum) is to be included in the display and summary output. For summary output, this qualifier is the default for all classes; otherwise, it is the default for all classes except CLUSTER, MODES, PROCESSES, STATES, SYSTEM, and VECTOR.

/AVERAGE

Specifies that a bar graph of average statistics is to be included in the display and summary outputs.

/CURRENT

Specifies that a bar graph of current statistics is to be included in the display and summary outputs. The /CURRENT qualifier is the default for the CLUSTER, MODES, STATES, SYSTEM, and VECTOR classes.

/MAXIMUM

Specifies that a bar graph of maximum statistics is to be included in the display and summary outputs.

/MINIMUM

Specifies that a bar graph of minimum statistics is to be included in the display and summary outputs.

Description

The FILE_SYSTEM_CACHE class includes the following data items:

Data Item	Description
Directory FCB Hit%	Percentage of directory file control block hits on the directory cache. The percentage value shown is the ratio of hits to the sum of hits plus misses.
Directory FCB Attempt Rate	Rate at which attempts were made to find directory file control blocks in the directory cache.

**MONITOR
MONITOR FILE_SYSTEM_CACHE**

Data Item	Description
Directory Data Hit%	Percentage of directory data hits on the directory cache. The percentage value shown is the ratio of hits to the sum of hits plus misses.
Directory Data Attempt Rate	Rate at which attempts were made to find directory data in the directory cache.
File Header Hit%	Percentage of file header hits on the file header cache. The percentage value shown is the ratio of hits to the sum of hits plus misses.
File Header Attempt Rate	Rate at which attempts were made to find file headers in the file header cache.
File ID Hit%	Percentage of file identifier hits on the file ID cache. The percentage value shown is the ratio of hits to the sum of hits plus misses.
File ID Cache Attempt Rate	Rate at which attempts were made to find file identifiers in the file ID cache.
Extent Cache Hit%	Percentage of appropriate size extent hits on the extent cache. The percentage value shown is the ratio of hits to the sum of hits plus misses.
Extent Cache Attempt Rate	Rate at which attempts were made to find appropriate size extents in the extent cache.
Quota Cache Hit%	Percentage of quota entry hits on the quota cache. The percentage value shown is the ratio of hits to the sum of hits plus misses.
Quota Cache Attempt Rate	Rate at which attempts were made to find entries in the quota cache.
Bitmap Cache Hit%	Percentage of entry hits on the bitmap cache. The percentage value shown is the ratio of hits to the sum of hits plus misses.
Bitmap Cache Attempt Rate	Rate at which attempts were made to find entries in the bitmap cache.

Note that all items shown in the FILE_SYSTEM_CACHE display except Dir FCB apply only to XQPs. The Dir FCB item applies to both XQPs and the ODS-1 ACP.

MONITOR

MONITOR FILE_SYSTEM_CACHE

Example

```
MONITOR> MONITOR FILE_SYSTEM_CACHE
```

```
OpenVMS Monitor Utility
FILE SYSTEM CACHING STATISTICS
on node SAMPLE
29-APR-2003 13:08:53
```

		CUR	AVE	MIN	MAX
Dir FCB	(Hit %)	100.00	100.00	0.00	100.00
	(Attempt Rate)	1.66	0.49	0.00	1.66
Dir Data	(Hit %)	100.00	100.00	0.00	100.00
	(Attempt Rate)	4.66	1.24	0.00	4.66
File Hdr	(Hit %)	66.00	80.00	0.00	100.00
	(Attempt Rate)	1.00	0.41	0.00	1.00
File ID	(Hit %)	0.00	0.00	0.00	0.00
	(Attempt Rate)	0.00	0.00	0.00	0.00
Extent	(Hit %)	0.00	100.00	0.00	100.00
	(Attempt Rate)	0.00	0.24	0.00	1.00
Quota	(Hit %)	0.00	100.00	0.00	100.00
	(Attempt Rate)	0.00	0.16	0.00	0.66
Bitmap	(Hit %)	0.00	0.00	0.00	0.00
	(Attempt Rate)	0.00	0.00	0.00	0.00

The cache hits and misses reflect the effectiveness of file system caching. Generally, the size of the cache affects the hit rate. The Attempt Rate is the sum of hits plus misses; the Hit% is the percentage of attempts that were successful.

Unlike other MONITOR data items, the averages for the hit percentages are not calculated based on previous hit percentages. Instead, these values are calculated based on the total number of hits and the total number of attempts on a cache since the beginning of the Monitor request. This provides more accurate average values for the hit percentage items.

The **directory FCB cache** is checked whenever a directory lookup is performed. Directory lookups can be performed on file open, creation, deletion, extension, or truncation. If the file control block associated with the directory is found in the cache, a hit is recorded. Otherwise, a miss is recorded. Both hits and misses are counted as attempts.

The **directory data cache** is checked whenever a file lookup is performed. Directory lookups may be performed on file open, creation, deletion, extension, or truncation. If an entry for the file being accessed is found in the directory data cache, a hit is recorded. Otherwise, a miss is recorded. Both hits and misses are counted as attempts.

The **file header cache** is checked on file open, close, creation, deletion, extension, or truncation. If the file header for the file being accessed is found in the file header cache, a hit is recorded. Otherwise, a miss is recorded. Both hits and misses are counted as attempts.

MONITOR MONITOR FILE_SYSTEM_CACHE

The **file identification cache** is a list of file identifiers that are removed on file creation and returned on file deletion. The File ID hits indicate file numbers successfully removed or returned to the file ID cache. Otherwise, a miss is recorded. Both hits and misses are counted as attempts.

The **extent cache** is checked on file creation, deletion, extension, and truncation. An attempt is made to allocate space from the extent cache during file creation or extension. During file creation, if sufficient size is found, a hit is recorded. If the desired size is not found, or an entry is forced to be split, an attempt is recorded. During file deletion, if the blocks were returned to the cache without the extent cache becoming too large, a hit is recorded. Otherwise, a miss is recorded. Both hits and misses are counted as attempts.

If quota checking is enabled, the **quota cache** is checked on file creation, deletion, extension, and truncation. If the desired entry (the identifier matching that of the requester) is found in the quota cache, a hit is recorded. Otherwise, a miss is recorded. Both hits and misses are counted as attempts.

The **bitmap cache** contains blocks from the storage bitmap file. This cache is accessed when the extent cache cannot satisfy requests for disk space. High rates indicate fragmented volumes.

Data items in the FILE_SYSTEM_CACHE display correspond to SYSGEN ACP/XQP parameters, as follows:

FILE_SYSTEM_CACHE Item	ACP/XQP Parameters
Dir FCB	ACP_SYSACC ACP_DINDXCACHE
Dir Data	ACP_DIRCACHE
File Hdr	ACP_HDRCACHE
File ID	ACP_FIDCACHE
Extent	ACP_EXTCACHE ACP_EXTLIMIT
Quota	ACP_QUOCACHE
Bitmap	ACP_MAPCACHE

When you change the ACP/XQP cache parameters, remember to reboot the system to make the changes effective. For more information about these parameters, refer to Appendix C.

MONITOR MONITOR IO

MONITOR IO

The MONITOR IO command initiates monitoring of the I/O class.

Format

MONITOR IO

Command Qualifiers

/qualifier[,...]

One or more qualifiers as described in the Command Qualifier Descriptions section.

Classname Qualifiers

/ALL

Specifies that a table of all available statistics (current, average, minimum, and maximum) is to be included in the display and summary output. For summary output, this qualifier is the default for all classes; otherwise, it is the default for all classes except CLUSTER, MODES, PROCESSES, STATES, SYSTEM, and VECTOR.

/AVERAGE

Specifies that a bar graph of average statistics is to be included in the display and summary outputs.

/CURRENT

Specifies that a bar graph of current statistics is to be included in the display and summary outputs. The /CURRENT qualifier is the default for the CLUSTER, MODES, STATES, SYSTEM, and VECTOR classes.

/MAXIMUM

Specifies that a bar graph of maximum statistics is to be included in the display and summary outputs.

/MINIMUM

Specifies that a bar graph of minimum statistics is to be included in the display and summary outputs.

Description

The IO class includes the following data items:

Data Item	Description
Direct I/O Rate	Rate of direct I/O (for example, disk and tape) operations
Buffered I/O Rate	Rate of buffered I/O (for example, terminal and line printer) operations
Mailbox Write Rate	Rate of write-to-mailbox requests received by the system
Split Transfer Rate	Rate at which transfers were split into multiple I/Os

Data Item	Description
Log Name Translation Rate	Rate of logical name translations
File Open Rate	Rate at which files were opened
Page Fault Rate	Rate of occurrence of page faults for all working sets
Page Read Rate	Rate of pages read from disk as a result of page faults
Page Read I/O Rate	Rate of read I/O operations from disk as a result of page faults
Page Write Rate	Rate of pages written to the page file
Page Write I/O Rate	Rate of write I/O operations to the page file
Inswap Rate	Rate at which working sets were read into memory from the swap file
Free List Size	Number of pages on the free page list
Modified List Size	Number of pages on the modified page list

Example

```
MONITOR> MONITOR /RECORD IO
```

```

                                OpenVMS Monitor Utility
                                I/O SYSTEM STATISTICS
                                on node SAMPLE
                                29-APR-2003 22:22:44

```

	CUR	AVE	MIN	MAX
Direct I/O Rate	15.33	4.46	0.33	15.33
Buffered I/O Rate	24.91	47.47	24.91	69.00
Mailbox Write Rate	0.00	0.45	0.00	2.95
Split Transfer Rate	1.66	1.56	0.33	3.97
Log Name Translation Rate	13.28	10.75	3.66	27.66
File Open Rate	1.66	1.26	0.33	2.98
Page Fault Rate	24.58	52.31	17.33	178.00
Page Read Rate	12.29	9.00	0.00	26.88
Page Read I/O Rate	2.65	2.43	0.00	6.22
Page Write Rate	0.00	6.69	0.00	58.66
Page Write I/O Rate	0.00	0.27	0.00	1.66
Inswap Rate	0.00	0.00	0.00	0.00
Free List Size	3621.00	3604.09	3392.00	3771.00
Modified List Size	49.00	73.36	4.00	181.00

RECORDING

This example shows that the direct I/O rate is currently at its highest level since the MONITOR command was entered and is significantly higher than the average rate. Termination of this command by Ctrl/C and entry of a MONITOR PROCESSES/TOPDIO command would show the top users of direct I/Os. Note that if I/O monitoring is begun at a later time, a new MONITOR request is defined. That is, it is not a continuation of the original request; the average, minimum, and maximum statistics are reinitialized. However, because the original request specified recording, that data can be played back for redisplay or summarization.

MONITOR MONITOR LOCK

MONITOR LOCK

The MONITOR LOCK command initiates monitoring of the LOCK class.

Format

MONITOR LOCK

Command Qualifiers

/qualifier[,...]

One or more qualifiers as described in the Command Qualifier Descriptions section.

Classname Qualifiers

/ALL

Specifies that a table of all available statistics (current, average, minimum, and maximum) is to be included in the display and summary output. For summary output, this qualifier is the default for all classes; otherwise, it is the default for all classes except CLUSTER, MODES, PROCESSES, STATES, SYSTEM, and VECTOR.

/AVERAGE

Specifies that a bar graph of average statistics is to be included in the display and summary outputs.

/CURRENT

Specifies that a bar graph of current statistics is to be included in the display and summary outputs. The /CURRENT qualifier is the default for the CLUSTER, MODES, STATES, SYSTEM, and VECTOR classes.

/MAXIMUM

Specifies that a bar graph of maximum statistics is to be included in the display and summary outputs.

/MINIMUM

Specifies that a bar graph of minimum statistics is to be included in the display and summary outputs.

Description

The LOCK class includes the following data items:

Data Item	Description
New ENQ Rate	Rate of new lock (ENQ) requests (as opposed to conversions)
Converted ENQ Rate	Rate of lock (ENQ) conversion requests
DEQ Rate	Rate of unlock (DEQ) requests
Blocking AST Rate	Rate of lock manager blocking ASTs delivered

MONITOR MONITOR LOCK

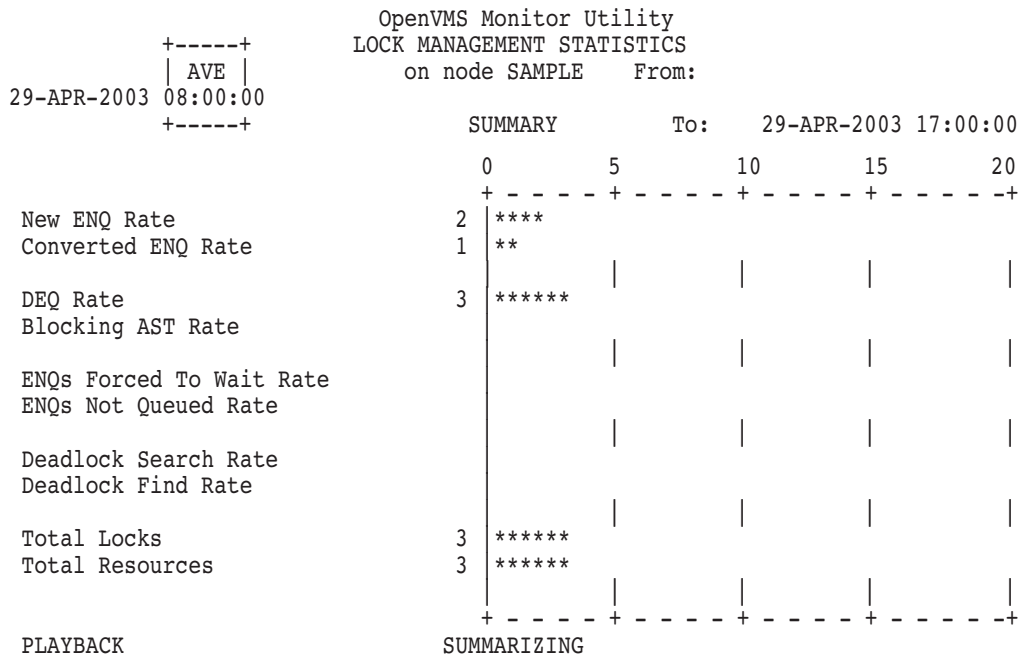
Data Item	Description
ENQs Forced To Wait Rate	Rate of occurrence of locks that could not be granted immediately, thus causing a wait
ENQs Not Queued Rate	Rate of occurrence of locks that could not be granted immediately but requested not to be queued, and thus received an error status instead
Deadlock Search Rate	Rate at which a deadlock search was performed
Deadlock Find Rate	Rate at which deadlocks were found
Total Locks	Total number of locks in the system
Total Resources	Total number of resources in the system

Example

```

MONITOR> MONITOR /RECORD IO
MONITOR> MONITOR /INPUT=LOCKSTATS.DAT/SUMMARY/NODISPLAY LOCK/AVERAGE
.
.
.
MONITOR> Ctrl/Z
$ TYPE MONITOR.SUM

```



This example shows the average use of the lock management subsystem during a typical workday, based on data that was previously recorded.

MONITOR

MONITOR MODES

MONITOR MODES

The MONITOR MODES command initiates monitoring of the MODES class, which includes a data item for each mode of processor operation.

Format

MONITOR MODES

Command Qualifiers

/qualifier[,...]

One or more qualifiers as described in the Command Qualifier Descriptions section.

Classname Qualifiers

/ALL

Specifies that a table of all available statistics (current, average, minimum, and maximum) is to be included in the display and summary output. For summary output, this qualifier is the default for all classes; otherwise, it is the default for all classes except CLUSTER, MODES, PROCESSES, STATES, SYSTEM, and VECTOR.

/AVERAGE

Specifies that a bar graph of average statistics is to be included in the display and summary outputs.

/CPU

/NOCPU [= (x[,...])] (default)

In multiprocessor configurations, selects the CPU-specific form of output, where *x* specifies the CPU identification. If you specify /CPU without specifying a CPU identification, MONITOR displays MODES class statistics for each successive CPU until information for all active CPUs has been displayed. MONITOR then repeats the cycle beginning with the first CPU. If you specify one CPU identification, MONITOR displays statistics for that CPU only. If you specify multiple CPU identifications, MONITOR displays statistics for each successive CPU specified, then repeats the cycle beginning with the first specified CPU.

Note that if you specify multiple CPU identifications, MONITOR does not notify you if one or more of the specified CPUs is unavailable. If all of the CPU identifications that you specify do not exist, then MONITOR will behave as if /CPU were specified without any arguments.

For multiprocessor systems, /NOCPU produces a single modes screen that reflects the combined time that all CPUs spent in each mode.

For nonmultiprocessor systems, the /CPU qualifier displays the CPU ID; /NOCPU does not display the CPU ID.

/CURRENT

Specifies that a bar graph of current statistics is to be included in the display and summary outputs. The /CURRENT qualifier is the default for the CLUSTER, MODES, STATES, SYSTEM, and VECTOR classes.

/MAXIMUM

Specifies that a bar graph of maximum statistics is to be included in the display and summary outputs.

/MINIMUM

Specifies that a bar graph of minimum statistics is to be included in the display and summary outputs.

/PERCENT

/NOPERCENT (default)

Controls whether statistics are expressed as percent values in display and summary outputs. The [NO]PERCENT qualifier is applicable only to the DISK, MODES, SCS, and STATES classes.

Description

The following data items, included in the MODES class, can be displayed as percentages of all processor (CPU) time or as rates of clock ticks (10 millisecond units) per second:

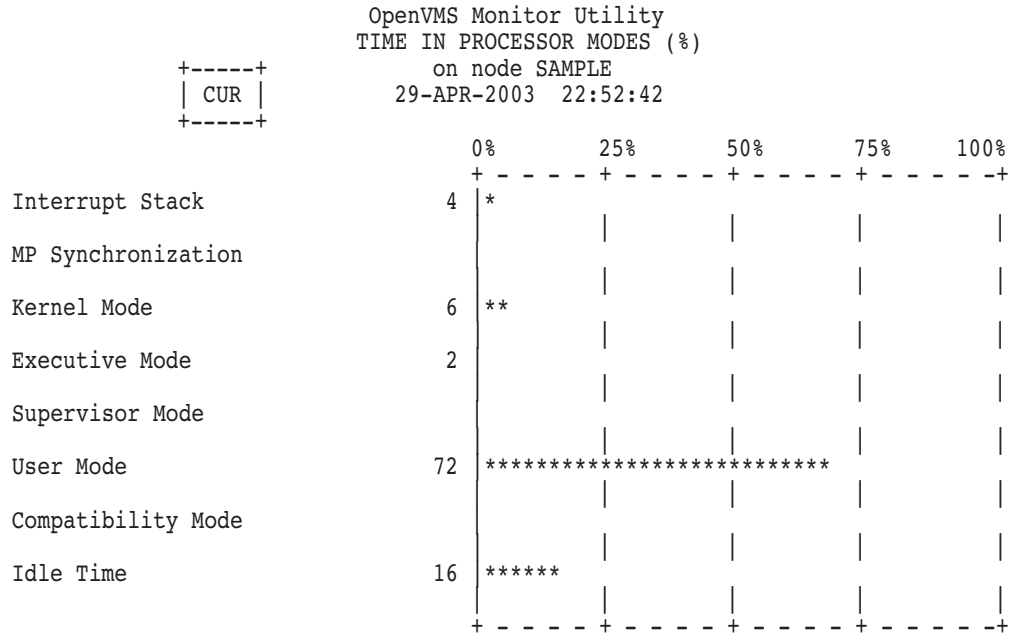
Data Item	Description
Interrupt Stack (Interrupt State on Alpha systems)	Time spent on the interrupt stack (on VAX systems) or in an interrupt state on a kernel stack (on Alpha systems).
MP Synchronization	Time spent synchronizing multiple CPUs (applicable to multiprocessor systems only).
Kernel Mode	Time spent in kernel mode, but not in an interrupt state.
Executive Mode	Time spent in executive mode.
Supervisor Mode	Time spent in supervisor mode.
User Mode	Time spent in user mode executing instructions.
Compatibility Mode	Time spent executing compatibility mode instructions. (This data item is meaningful only for VAX systems.)
Idle Time	Time not spent in any of the other modes.

For multiprocessor systems, when you enter the MONITOR MODES command without using the /CPU qualifier to select specific CPUs, MONITOR produces a single modes screen similar to those produced for nonmultiprocessor systems. However, the statistics produced for multiprocessor systems reflect the combined time that all CPUs spent in each mode.

MONITOR MONITOR MODES

Examples

1. MONITOR> MONITOR MODES /PERCENT

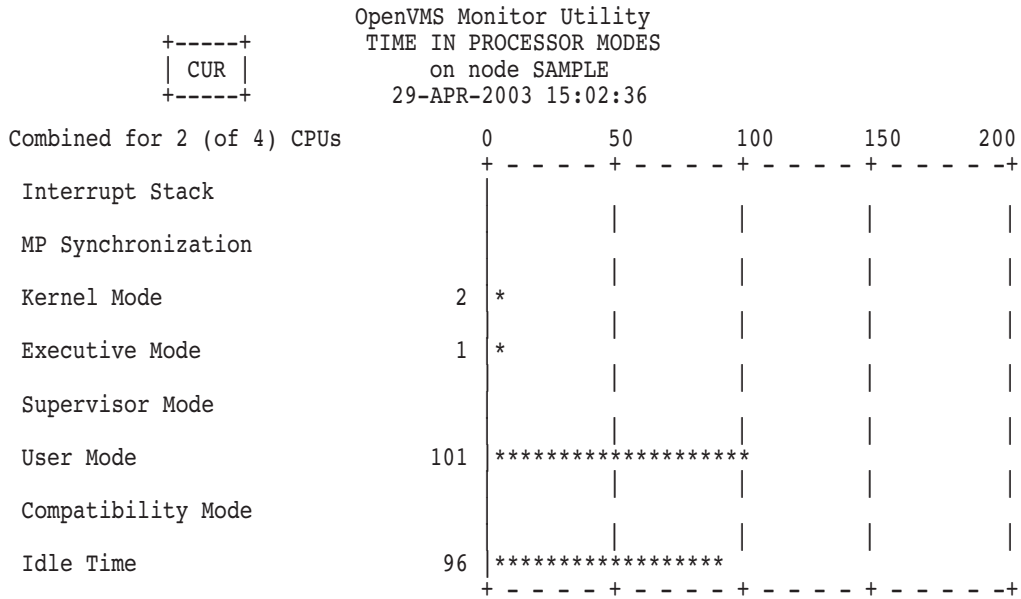


This display shows that, over the last collection interval, the processor spent 72 percent of its time executing user code, 8 percent executing system code to service user requests in executive and kernel modes, and 4 percent processing interrupts on the interrupt stack. It was idle 16 percent of the time. Time spent executing OpenVMS RMS code is included in executive-mode time. Time spent executing DCL code is included in supervisor-mode time.

If you omit the /PERCENT qualifier or specify /NOPERCENT, MONITOR displays mode times as rates of clock ticks per second, where a clock tick is 10 milliseconds. On a uniprocessor, the rate value is equivalent to the percent value.

MONITOR MONITOR MODES

2. MONITOR> MONITOR MODES



This example demonstrates output of the MONITOR MODES command for a multiprocessor system. Displayed statistics represent rates of clock ticks per second. Information in the upper left corner of the screen indicates that node SAMPLE has four CPUs, two of which are active. Because the command line does not include the /CPU qualifier, statistics reflect the combined time that all CPUs spent in each mode.

MONITOR

MONITOR MSCP_SERVER

MONITOR MSCP_SERVER

The MONITOR MSCP_SERVER command initiates monitoring of the mass storage control protocol (MSCP) server class.

Format

MONITOR MSCP_SERVER

Command Qualifiers

/qualifier[,...]

One or more qualifiers as described in the Command Qualifier Descriptions section.

Classname Qualifiers

/ALL

Specifies that a table of all available statistics (current, average, minimum, and maximum) is to be included in the display and summary output. For summary output, this qualifier is the default for all classes; otherwise, it is the default for all classes except CLUSTER, MODES, PROCESSES, STATES, SYSTEM, and VECTOR.

/AVERAGE

Specifies that a bar graph of average statistics is to be included in the display and summary outputs.

/CURRENT

Specifies that a bar graph of current statistics is to be included in the display and summary outputs. The /CURRENT qualifier is the default for the CLUSTER, MODES, STATES, SYSTEM, and VECTOR classes.

/MAXIMUM

Specifies that a bar graph of maximum statistics is to be included in the display and summary outputs.

/MINIMUM

Specifies that a bar graph of minimum statistics is to be included in the display and summary outputs.

Description

The MSCP server class consists of the following data items that can be useful in tuning the MSCP server:

Data Item	Description
Server I/O Request Rate	The rate at which remote processors request I/O transfers.
Read Request Rate	The rate at which remote processors request Read I/O transfers.

MONITOR MONITOR MSCP_SERVER

Data Item	Description
Write Request Rate	The rate at which remote processors request Write I/O transfers.
Extra Fragment Rate	The rate at which the server issues extra fragments. One or more extra fragments are created when, due to buffering constraints, the MSCP server issues multiple I/Os in order to fulfill a single I/O request. For example, if the MSCP server breaks up a 64-block request into 4 fragments of 16 blocks, 3 extra fragments are created.
Fragmented Request Rate	The rate at which fragmented requests occur. A fragmented request is a transfer request that the server fragments due to buffering constraints. For example, one fragmented request occurs when the server splits a 36-block request into 3 fragments of 16 blocks, 16 blocks, and 4 blocks. In this example, the server creates two extra fragments.
Buffer Wait Rate	The rate at which "buffer waits" occur in the server. A buffer wait occurs when a request must wait for MSCP buffer memory.
Request Size Rates	A histogram that displays the rate of requests for various block sizes.

Example

```
MONITOR> MONITOR MSCP_SERVER
```

```

OpenVMS Monitor Utility
MSCP SERVER STATISTICS
on node GLOBBO
29-APR-2003 09:51:43

```

	CUR	AVE	MIN	MAX
Server I/O Request Rate	0.00	0.71	0.00	6.22
Read Request Rate	0.00	0.54	0.00	6.22
Write Request Rate	0.00	0.16	0.00	6.16
Extra Fragment Rate	0.00	0.00	0.00	0.00
Fragmented Request Rate	0.00	0.00	0.00	0.00
Buffer Wait Rate	0.00	0.00	0.00	0.00
Request Size Rates				
(Blocks)				
1	0.00	0.07	0.00	0.98
2-3	0.00	0.03	0.00	0.65
4-7	0.00	0.03	0.00	0.65
8-15	0.00	0.10	0.00	1.63
16-31	0.00	0.46	0.00	5.51
32-63	0.00	0.00	0.00	0.00
64+	0.00	0.00	0.00	0.00

This example demonstrates use of the MONITOR MSCP_SERVER command to generate MSCP statistics on node GLOBBO.

MONITOR MONITOR PAGE

MONITOR PAGE

The MONITOR PAGE command initiates monitoring of the PAGE class.

Format

MONITOR PAGE

Command Qualifiers

/qualifier[,...]

One or more qualifiers as described in the Command Qualifier Descriptions section.

Classname Qualifiers

/ALL

Specifies that a table of all available statistics (current, average, minimum, and maximum) is to be included in the display and summary output. For summary output, this qualifier is the default for all classes; otherwise, it is the default for all classes except CLUSTER, MODES, PROCESSES, STATES, SYSTEM, and VECTOR.

/AVERAGE

Specifies that a bar graph of average statistics is to be included in the display and summary outputs.

/CURRENT

Specifies that a bar graph of current statistics is to be included in the display and summary outputs. The /CURRENT qualifier is the default for the CLUSTER, MODES, STATES, SYSTEM, and VECTOR classes.

/MAXIMUM

Specifies that a bar graph of maximum statistics is to be included in the display and summary outputs.

/MINIMUM

Specifies that a bar graph of minimum statistics is to be included in the display and summary outputs.

Description

The PAGE class includes the following data items:

Data Item	Description
Page Fault Rate	Rate of page faults for all working sets
Page Read Rate	Rate of pages read from disk as a result of page faults
Page Read I/O Rate	Rate of read I/O operations from disk as a result of page faults
Page Write Rate	Rate at which pages were written to the page file
Page Write I/O Rate	Rate of write I/O operations to the page file

MONITOR MONITOR PAGE

Data Item	Description
Free List Fault Rate	Rate at which pages were read from the free-page list as a result of page faults
Modified List Fault Rate	Rate of pages read from the modified-page list as a result of page faults
Demand Zero Fault Rate	Rate at which zero-filled pages were allocated as a result of page faults
Global Valid Fault Rate	Rate of page faults for pages that are not in the process's working set, but are in physical memory and are indicated as valid pages in the systemwide global page tables
Writes In Progress Fault Rate	Rate of pages read that were in the process of being written back to disk when faulted
System Fault Rate	Rate of page faults for pages in system space
Free List Size	Number of pages on the free-page list
Modified List Size	Number of pages on the modified-page list

Example

MONITOR> MONITOR PAGE

```

OpenVMS Monitor Utility
PAGE MANAGEMENT STATISTICS
on node SAMPLE
29-APR-2003 22:22:44

```

	CUR	AVE	MIN	MAX
Page Fault Rate	26.82	18.27	9.66	26.82
Page Read Rate	3.97	2.65	1.33	3.97
Page Read I/O Rate	1.32	0.99	0.66	1.32
Page Write Rate	0.00	0.00	0.00	0.00
Page Write I/O Rate	0.00	0.00	0.00	0.00
Free List Fault Rate	13.90	10.96	8.00	13.90
Modified List Fault Rate	5.62	2.99	0.33	5.62
Demand Zero Fault Rate	4.63	2.65	0.66	4.63
Global Valid Fault Rate	1.32	0.66	0.00	1.32
Wrt In Progress Fault Rate	0.00	0.00	0.00	0.00
System Fault Rate	2.31	1.99	1.66	2.31
Free List Size	3164.00	3176.00	3164.00	3188.00
Modified List Size	155.00	131.00	107.00	155.00

This example shows that the current rate of pages read per read I/O operation is approximately 3 per second (Page Read Rate divided by Page Read I/O Rate). Note that while the page fault rate is currently at the highest point of the monitoring session, the majority of the pages are faulted from memory, not from disk.

MONITOR MONITOR PROCESSES

MONITOR PROCESSES

The MONITOR PROCESSES command initiates monitoring of the PROCESSES class, which displays information about all processes in the system.

In a multifile summary request, the classes CLUSTER and PROCESSES are ignored. If these classes are the only classes specified on the command line, MONITOR does not recognize them and displays a “no classes specified” error message.

Format

MONITOR PROCESSES

Command Qualifiers

/qualifier[,...]

One or more qualifiers as described in the Command Qualifier Descriptions section.

Classname Qualifiers

/TOPBIO

Specifies that a bar graph listing the top buffered I/O users be produced instead of the standard display and summary output. Values are expressed in units of buffered I/Os per second.

/TOPCPU

Specifies that a bar graph listing the top CPU time users be produced instead of the standard display and summary output. Values are expressed in units of clock ticks (10 milliseconds) per second.

Prior to OpenVMS Version 7.3, the MONITOR PROCESSES/TOPCPU display showed only a maximum of 8 processes on one screen. In OpenVMS Version 7.3 and later versions, the choice of which one of three screens is displayed is determined by the number of CPUs on the system. (See the examples in this section.)

/TOPDIO

Specifies that a bar graph listing the top direct I/O users be produced instead of the standard display and summary output. Values are expressed in units of direct I/Os per second.

/TOPFAULT

Specifies that a bar graph listing the top page faulting processes be produced instead of the standard display and summary output. Values are expressed in units of page faults per second.

/TOPRBS (VAX Only)

On OpenVMS VAX systems, specifies that a bar graph listing the top balance slot faulting processes be produced instead of the standard display and summary output. Values are expressed in units of balance slot faults per second.

Description

As illustrated in the examples, the PROCESSES display (and summary) formats are different from those of all other classes. The PROCESSES display provides the following information:

Data Item	Description
PID	Process identifier as assigned by the system, in hexadecimal
STATE	Process's scheduler state (see the description of the MONITOR STATES command for an explanation and a tabular summary of the STATES codes)
PRI	Current (as opposed to base) priority of the process
NAME	Process name
PAGES	Number of shareable pages and total number of pages currently in use by the process
DIOCNT	Cumulative direct I/O operations performed by the process since its creation; not displayed if the process is swapped out
FAULTS	Cumulative page faults since the process was created; not displayed if the process is swapped out
CPU TIME	Cumulative CPU time used by the process since its creation, in the format hours:minutes:seconds; not displayed if the process is swapped out

The top corners of the display contain the number of processes in the system and the time in days, hours, minutes, and seconds since the system was last booted. Processes that are swapped out are so noted.

If more processes are in the system than can be displayed on the terminal screen at once, the display consists of multiple screens. Screens are presented one at a time at intervals specified with the /VIEWING_TIME qualifier. The five /TOP bar graph displays provide the PID and process name of each of the top eight users.

As with the other bar graph displays, examples in the displays of top users are rounded to the nearest whole number. Up to eight processes with nonzero values are displayed. To be eligible for inclusion in the list of top users, a process must be present and swapped in at the beginning and end of the display interval. This eligibility requirement also applies to the beginning and ending of the entire period covered by a summary.

Note that only one of the displays of top users or the regular PROCESSES display can be selected in a single MONITOR request.

MONITOR MONITOR PROCESSES

Examples

1. MONITOR> MONITOR/INPUT=PROCS.DAT/INTERVAL=6 PROCESSES

```
Process Count: 20          OpenVMS Monitor Utility          Uptime: 1 23:26:10
                           PROCESSES
                           on node SAMPLE
                           29-APR-2003 12:39:09
```

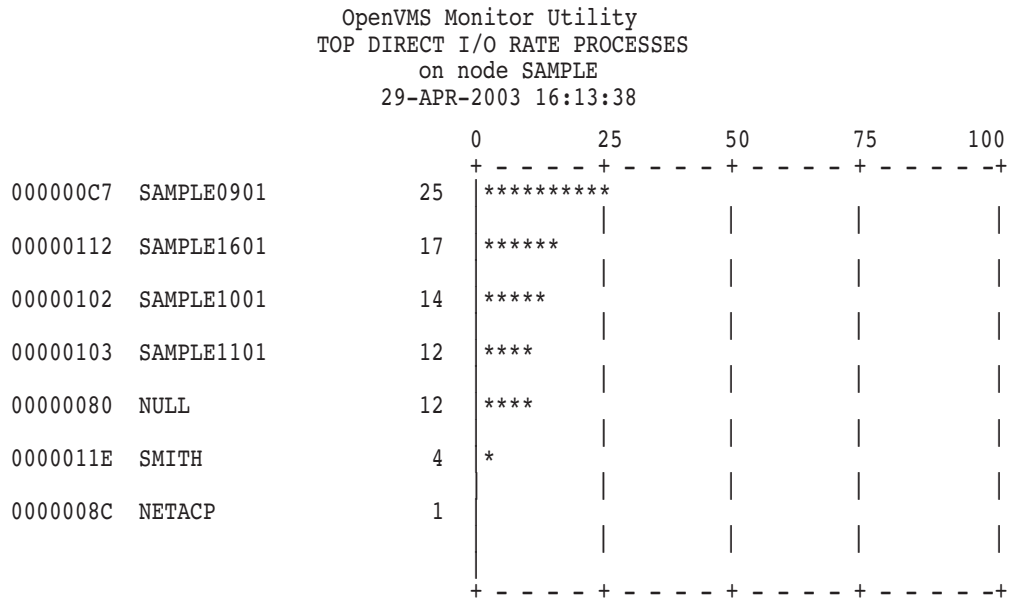
PID	STATE	PRI	NAME	PAGES	DIOCNT	FAULTS	CPU TIME
00000081	HIB	16	SWAPPER	0/0	0	0	00:00:15.8
00000102	LEFO	4	SAMPLE1001	87/232	SWAPPED	OUT	
00000103	COM	4	SAMPLE1101	16/100	7127	51298	00:05:11.0
00000084	HIB	8	ERRFMT	64/174	2750	125	00:00:43.9
00000086	LEF	8	OPCOM	73/272	283	178	00:00:07.7
00000087	HIB	9	JOB_CONTROL	57/293	707	167	00:00:10.5
00000088	HIB	8	CONFIGURE	43/205	22	123	00:00:00.6
0000008A	HIB	6	SYMBIONT_0001	5/56	50	617	00:03:15.1
0000008B	HIB	8	JNLACP	75/580	15149	4922	00:21:51.1
0000008C	HIB	8	NETACP	5/954	11	1057	00:25:06.8
0000008D	HIB	5	EVL	7/56	44	34384	00:00:20.5
0000008E	HIB	9	REMACP	5/54	13	107	00:00:01.3
00000112	COM	4	SAMPLE1601	45/111	13131	39992	00:06:39.1
0000011E	CUR	9	SMITH	89/298	138	830	00:00:07.1

This example illustrates a PROCESSES display generated from the input file PROCS.DAT. One line is displayed for each process in the system. This display shows current values only—average, minimum, and maximum statistics are not available. Also for swapped-out processes, the words SWAPPED OUT replace the three rightmost items, because those items are not available for swapped-out processes. Because this example is a playback request, the system uptime displayed is that of the system at the time the MONITOR data was recorded.

Nondisplayable characters in process names are represented by periods.

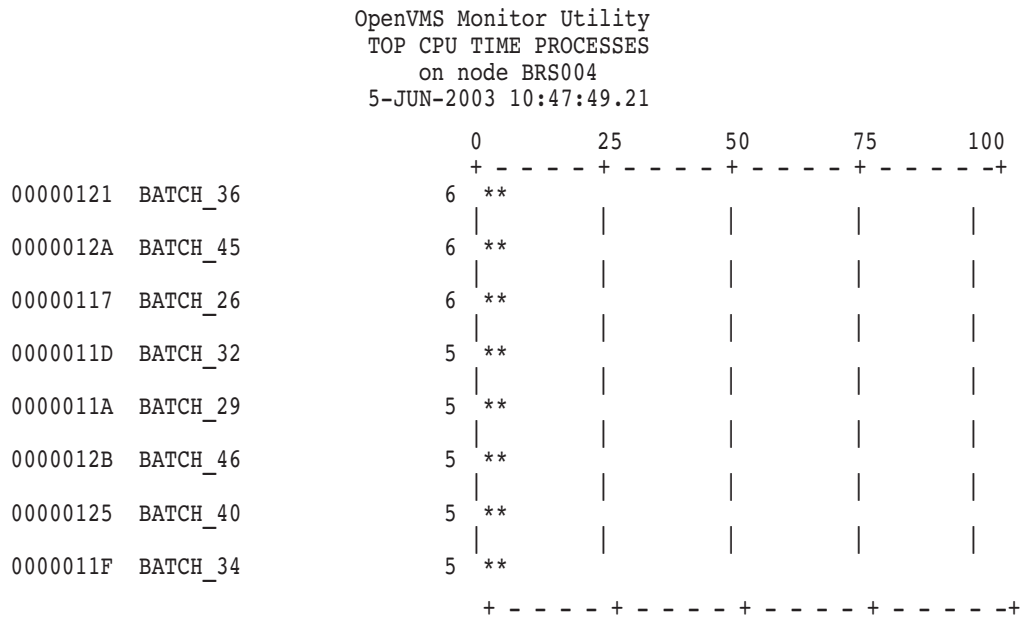
MONITOR MONITOR PROCESSES

2. MONITOR> MONITOR/INPUT=PROCS.DAT PROCESSES/TOPDIO



This example shows that the process SAMPLE0901, with a rate of 25 per second, was the top consumer of direct I/Os during the most recent interval between displays.

3. MONITOR> MONITOR PROCESSES/TOPCPU



MONITOR MONITOR PROCESSES

This example shows a MONITOR PROCESSES/TOPCPU screen display on a single CPU system.

4. MONITOR> MONITOR PROCESSES/TOPCPU

```
OpenVMS Monitor Utility
TOP CPU TIME PROCESSES
on node BRS012
5-JUN-2003 10:48:39.38

          0          25          50          75          100
          + - - - + - - - + - - - + - - - +
0000012B BATCH_46      7  **
00000128 BATCH_43      6  **
0000012A BATCH_45      5  **
00000125 BATCH_40      5  **
00000123 BATCH_38      5  **
00000121 BATCH_36      5  **
00000129 BATCH_44      5  **
0000011F BATCH_34      5  **
0000011E BATCH_33      5  **
0000011D BATCH_32      5  **
00000117 BATCH_26      5  **
00000127 BATCH_42      5  **
00000120 BATCH_35      5  **
0000011B BATCH_30      5  **
00000119 BATCH_28      5  **
```

This example shows s MONITOR PROCESSES/TOPCPU screen display on a 12-CPU system.

MONITOR MONITOR PROCESSES

5. MONITOR> MONITOR PROCESSES/TOPCPU

```
OpenVMS Monitor Utility
TOP CPU TIME PROCESSES
on node BRS016
5-JUN-2003 10:51:10.89

          0          25          50          75          100
          + - - - - + - - - - + - - - - + - - - - +
00000127 BATCH_42      6 **
00000125 BATCH_40      6 **
00000124 BATCH_39      5 **
00000118 BATCH_27      5 **
00000129 BATCH_44      5 **
00000122 BATCH_37      5 **
00000120 BATCH_35      5 **
0000011F BATCH_34      5 **
0000011D BATCH_32      5 **
0000011C BATCH_31      5 **
00000119 BATCH_28      5 **
00000128 BATCH_43      5 **
00000123 BATCH_38      5 **
0000011B BATCH_30      4 *
0000012B BATCH_46      4 *
00000126 BATCH_41      4 *
```

This example shows s MONITOR PROCESSES/TOPCPU screen display on a 16-CPU system.

MONITOR MONITOR RLOCK

MONITOR RLOCK

The MONITOR RLOCK command initiates monitoring of the RLOCK (dynamic lock remastering) statistics class.

Format

MONITOR RLOCK

Command Qualifiers

/qualifier[,...]

One or more qualifiers as described in the Command Qualifier Descriptions section.

Classname Qualifiers

/ALL

Specifies that a table of all available statistics (current, average, minimum and maximum) is to be included in the display and summary outputs. For summary output, this qualifier is the default for all classes; otherwise, it is the default for all classes except CLUSTER, MODES, PROCESSES, STATES, SYSTEM, and VECTOR.

/AVERAGE

Specifies that a bar graph of average statistics is to be included in the display and summary outputs.

/CURRENT

Specifies that a bar graph of current statistics is to be included in the display and summary outputs. The /CURRENT qualifier is the default for the CLUSTER, MODES, STATES, SYSTEM, and VECTOR classes.

/MAXIMUM

Specifies that a bar graph of maximum statistics is to be included in the display and summary outputs.

/MINIMUM

Specifies that a bar graph of minimum statistics is to be included in the display and summary outputs.

Description

You can use the RLOCK class to monitor the dynamic lock remastering statistics of a node. Because local locking operations are less costly than remote operations, lock trees are moved from node to node to improve performance. A lock tree might be moved for any of the following reasons:

- Another node in the cluster is much more active on the tree than the current master.
- A node with a higher LOCKDIRWT enqueues a lock to a resource that a node with a lower LOCKDIRWT masters.
- Only one node in the cluster has locks on this resource and should, therefore, become the master.

MONITOR MONITOR RLOCK

The class RLOCK consists of the following data items, which are displayed as the rate of occurrences per second:

Data Item	Description
Lock Tree Outbound Rate	Rate at which lock trees are moved from this node.
Higher Activity	Rate for trees moved due to higher locking activity on another node in the cluster.
Higher LOCKDIRWT	Rate at which trees are moved to a node with a higher value of the SYSGEN parameter LOCKDIRWT.
Sole Interest	Rate at which trees are moved to another node because that node is the only one with locks remaining on the tree.
Remaster Msg Send Rate	Rate at which remaster messages are sent from this node.
Lock Tree Inbound Rate	Rate at which trees are moved to this node.
Remaster Msg Receive Rate	Rate at which remaster messages are received on this node.

Example

```
MONITOR> MONITOR RLOCK
```

```
          DYNAMIC LOCK REMASTERING STATISTICS
                on node JYGAL2
          30-OCT-2003 12:19:55.27
```

	CUR	AVE	MIN	MAX
Lock Tree Outbound Rate	0.33	0.02	0.00	0.33
(Higher Activity)	0.33	0.02	0.00	0.33
(Higher LCKDIRWT)	0.00	0.00	0.00	0.00
(Sole Interest)	0.00	0.00	0.00	0.00
Remaster Msg Send Rate	2.66	0.25	0.00	2.66
Lock Tree Inbound Rate	0.00	0.01	0.00	0.33
Remaster Msg Receive Rate	0.00	0.09	0.00	1.66

In this example, the outbound numbers are quite low; in most cases, these numbers are never very large. Remastering is attempted only once every 8 seconds; then a maximum of 5 trees are processed at once. The exception is during orderly shutdown, when the system attempts to force all trees off the node shutting down.

MONITOR MONITOR RMS

MONITOR RMS

The MONITOR RMS command initiates monitoring of the OpenVMS Record Management Services (OpenVMS RMS) statistics class for a specific file.

Format

MONITOR RMS

Command Qualifiers

/qualifier[,...]

One or more qualifiers as described in the Command Qualifier Descriptions section.

Classname Qualifiers

/ALL

Specifies that a table of all available statistics (current, average, minimum, and maximum) is to be included in the display and summary output. For summary output, this qualifier is the default for all classes; otherwise, it is the default for all classes except CLUSTER, MODES, PROCESSES, STATES, SYSTEM, and VECTOR.

/AVERAGE

Specifies that a bar graph of average statistics is to be included in the display and summary outputs.

/CURRENT

Specifies that a bar graph of current statistics is to be included in the display and summary outputs. The /CURRENT qualifier is the default for the CLUSTER, MODES, STATES, SYSTEM, and VECTOR classes.

/FILE=(file-name[,...])

Specifies a list of one or more files to which the MONITOR RMS command applies. If you include a node name as part of the file specification, MONITOR ignores the node name. Use the /NODE command qualifier to select specific nodes for MONITOR RMS requests. If you use the /NODE command qualifier to specify multiple nodes, the file must exist on all specified nodes. You can list up to 5,000 files. Do not specify wildcard characters.

/ITEM=(keyword[,...])

Selects one or more data items for inclusion in display and summary outputs. If you specify two or more keywords, enclose them in parentheses, and separate them with commas. When the /ITEM qualifier is omitted, the default is /ITEM=OPERATIONS.

The following table describes /ITEM qualifier keywords:

Keyword	Description
OPERATIONS	Specifies that RMS basic operations statistics are displayed for the selected file.

Keyword	Description
DATA_RATES	Specifies that RMS data rate statistics are displayed for the selected file.
LOCKING	Specifies that RMS locking statistics are displayed for the selected file.
CACHING	Specifies that RMS caching statistics are displayed for the selected file.

/MAXIMUM

Specifies that a bar graph of maximum statistics is to be included in the display and summary outputs.

/MINIMUM

Specifies that a bar graph of minimum statistics is to be included in the display and summary outputs.

Description

When you enter the MONITOR RMS command, you must use the /FILE qualifier to specify an input file. MONITOR displays RMS statistics for the input file that you specify. MONITOR displays statistics only for the input file if statistics are enabled for the file, and the file is open. For information about enabling statistics for a file, refer to the SET FILE command in the *HP OpenVMS DCL Dictionary* and the *OpenVMS Record Management Services Reference Manual*.

The MONITOR RMS command generates RMS statistics of the following types:

- Basic operations (produced by specifying the OPERATIONS item)
- Data rates per operation (produced by specifying the DATA_RATES item)
- File locking (produced by specifying the LOCKING item)
- Caching (produced by specifying the CACHING item)

Basic operations statistics consist of the following data items:

- Sequential \$Get Call Rate
- Keyed \$Get Call Rate
- RFA \$Get Call Rate
- Sequential \$Find Call Rate
- Keyed \$Find Call Rate
- RFA \$Find Call Rate
- Sequential \$Put Call Rate
- Keyed \$Put Call Rate
- \$Read Call Rate
- \$Write Call Rate
- \$Update Call Rate
- \$Delete Call Rate
- \$Truncate Call Rate
- \$Extend Call Rate
- \$Flush Call Rate

Data rate statistics consist of the following data items:

- Total \$GET Call Rate
- Bytes per \$GET
- Total \$PUT Call Rate
- Bytes Per \$PUT

MONITOR MONITOR RMS

Total \$UPDATE Call Rate
Bytes per \$UPDATE
\$READ Call Rate
Bytes per \$READ
\$WRITE Call Rate
Bytes per \$WRITE
\$TRUNCATE Call Rate
Blocks per \$TRUNCATE
\$EXTEND Call Rate
Blocks per \$EXTEND

File locking statistics consist of the following data items:

New ENQ Rate
DEQ Rate
Converted ENQ Rate
Blocking AST Rate
Bucket Split Rate
Multi-Bucket Split Rate

Caching statistics consist of the following data items:

Local Cache Hit Percent
Local Cache Attempt Rate
Global Cache Hit Percent
Global Cache Attempt Rate
Global Buffer Read I/O Rate
Global Buffer Write I/O Rate
Local Buffer Read I/O Rate
Local Buffer Write I/O Rate

Note

Values produced by the MONITOR RMS command do not include I/Os generated by the recovery mechanisms of RMS Journaling.

For more information about OpenVMS RMS, OpenVMS RMS services, and file applications, refer to the *OpenVMS Record Management Services Reference Manual*, *HP OpenVMS System Services Reference Manual*, and the *Guide to OpenVMS File Applications*.

Example

MONITOR> MONITOR RMS /ITEM=OPERATIONS /FILE=SYS\$COMMON:[SYSEXE]SYSUAF.DAT

```

                                OpenVMS Monitor Utility
                                RMS FILE OPERATIONS
                                on node SAMPLE
                                29-APR-2003 11:03:06
(Index) _$254$DUA213:[SYS0.SYSEXE]SYSUAF.DAT;2
Active Streams:  17          CUR          AVE          MIN          MAX
$GET Call Rate  (Seq)          0.00         0.00         0.00         0.00
                 (Key)          4.30         2.15         0.00         6.76
                 (RFA)          0.00         0.00         0.00         0.00
$FIND Call Rate (Seq)          0.00         0.00         0.00         0.00
                 (Key)          0.00         0.00         0.00         0.00
                 (RFA)          0.00         0.00         0.00         0.00
$PUT Call Rate  (Seq)          0.00         0.00         0.00         0.00
                 (Key)          0.20         0.14         0.00         0.30
$READ Call Rate          0.00         0.00         0.00         0.00
$WRITE Call Rate         0.00         0.00         0.00         0.00
$UPDATE Call Rate        0.00         0.00         0.00         0.00
$DELETE Call Rate        0.00         0.00         0.00         0.00
$TRUNCATE Call Rate      0.00         0.00         0.00         0.00
$EXTEND Call Rate        0.00         0.00         0.00         0.00
$FLUSH Call Rate         0.00         0.00         0.00         0.00

```

This example demonstrates the use of the MONITOR RMS command to generate basic operations statistics for the file SYSUAF.DAT.

MONITOR

MONITOR SCS

MONITOR SCS

The MONITOR SCS command initiates monitoring of the System Communications Services (SCS) class.

Format

MONITOR SCS

Command Qualifiers

/qualifier[,...]

One or more qualifiers as described in the Command Qualifier Descriptions section.

Classname Qualifiers

/ALL

Specifies that a table of all available statistics (current, average, minimum, and maximum) is to be included in the display and summary output. For summary output, this qualifier is the default for all classes; otherwise, it is the default for all classes except CLUSTER, MODES, PROCESSES, STATES, SYSTEM, and VECTOR.

/AVERAGE

Specifies that a bar graph of average statistics is to be included in the display and summary outputs.

/CURRENT

Specifies that a bar graph of current statistics is to be included in the display and summary outputs. The /CURRENT qualifier is the default for the CLUSTER, MODES, STATES, SYSTEM, and VECTOR classes.

/ITEM=(keyword[,...])

Selects one or more data items for inclusion in display and summary outputs. If you specify two or more keywords, enclose them in parentheses, and separate them with commas. When the /ITEM qualifier is omitted, the default is /ITEM=KB_MAP.

The following table describes /ITEM qualifier keywords:

Keyword	Description
ALL	Specifies that statistics on all data items collected for the disks are displayed on successive screens.
BUFFER_DESCRIPTOR	Specifies that statistics on the queued-for-buffer-descriptor (on the local node) rate are displayed for each node.
D_DISCARD	Specifies that datagram discard rate statistics are displayed for each node.
D_RECEIVE	Specifies that datagram receive rate statistics are displayed for each node.

Keyword	Description
D_SEND	Specifies that datagram send rate statistics are displayed for each node.
KB_MAP	Specifies that kilobyte map rate statistics are displayed for each node.
KB_REQUEST	Specifies that kilobyte request (via request datas) rate statistics are displayed for each node.
KB_SEND	Specifies that kilobyte send (via send datas) rate statistics are displayed for each node.
M_RECEIVE	Specifies that message receive rate statistics are displayed for each node.
M_SEND	Specifies that message send rate statistics are displayed for each node.
REQUEST_DATA	Specifies that request data (initiated on the local node) rate statistics are displayed for each node.
SEND_CREDIT	Specifies that queued-for-send-credit (on the local node) rate statistics are displayed for each node.
SEND_DATA	Specifies that send data (initiated on the local node) rate statistics are displayed for each node.

/MAXIMUM

Specifies that a bar graph of maximum statistics is to be included in the display and summary outputs.

/MINIMUM

Specifies that a bar graph of minimum statistics is to be included in the display and summary outputs.

/PERCENT

/NOPERCENT (default)

Controls whether statistics are expressed as percent values in display and summary outputs. The /PERCENT qualifier is applicable only to the DISK, MODES, SCS, and STATES classes.

Description

The SCS class is a component class. Data items for this class are collected for each node in the cluster. The SCS class consists of the following data items:

Data Item	Description
Datagram Send Rate	Rate at which datagrams are sent to another node.
Datagram Receive Rate	Rate at which datagrams are received from another node.
Datagram Discard Rate	Rate at which datagrams are discarded.

MONITOR MONITOR SCS

Data Item	Description
Message Send Rate	Rate at which sequenced messages are sent to another node. Sequenced messages are exchanged between nodes to communicate with mass storage control protocol (MSCP) disks and the lock manager.
Message Receive Rate	Rate at which sequenced messages are received from another node. Sequenced messages are exchanged between nodes to communicate with MSCP disks and the lock manager.
Send Data Rate	Rate at which block send datas are initiated on the local node.
Kbytes Send Rate	Rate at which kilobytes are sent, as a result of send datas initiated on the local node.
Request Data Rate	Rate at which request datas are initiated on the local node.
Kbytes Request Rate	Rate at which kilobytes are received, as a result of request datas initiated on the local node.
Kbytes Map Rate	Rate at which kilobytes are mapped for block transfers. This is a rough measure of the data transfer rate between the local node and a remote node. Before any transfer can take place, a buffer must be mapped. The size of the accumulated buffers that were mapped is displayed by the Kbytes Map Rate. If request datas or send datas are initiated on the local or a remote node, then the Kbytes Map Rate reflects the number of kilobytes actually transferred between the two nodes.
Send Credit Queued Rate	Rate at which connections are queued for a send credit. A connection is queued for a send credit whenever all of the buffers that were allocated by the remote node have been used.
Buffer Descriptor Queued Rate	Rate at which connections are queued for a buffer descriptor. A connection is queued for a buffer descriptor whenever all of the buffer descriptors have been allocated by the local node. You can increase the number of buffer descriptors allocated on the local system by adjusting the system parameter SCSBUFFCNT.

Example

```
MONITOR> MONITOR SCS
```

```
OpenVMS Monitor Utility
SCS STATISTICS
on node CURLEY
29-APR-2003 10:21:46
```

```
Kbytes Map Rate          CUR      AVE      MIN      MAX
```


**MONITOR
MONITOR SCS**

CURLEY	0.00	0.00	0.00	0.00
MOE	0.00	0.00	0.00	0.00
LARRY	0.00	0.00	0.00	0.00
SHEMP	5.64	3.81	1.98	5.64

The command in this example requests that kilobyte map rate statistics collected for SCS be displayed for each node in the cluster. The display shows block transfer map activity between the node CURLEY and the hierarchical storage controller (HSC) SHEMP. Note that each node in the cluster is identified by its SCS node name.

MONITOR

MONITOR STATES

MONITOR STATES

The MONITOR STATES command initiates monitoring of the PROCESS STATES class, which shows the number of processes in each of the 14 scheduler states.

Format

MONITOR STATES

Command Qualifiers

/qualifier[,...]

One or more qualifiers as described in the Command Qualifier Descriptions section.

Classname Qualifiers

/ALL

Specifies that a table of all available statistics (current, average, minimum, and maximum) is to be included in the display and summary output. For summary output, this qualifier is the default for all classes; otherwise, it is the default for all classes except CLUSTER, MODES, PROCESSES, STATES, SYSTEM, and VECTOR.

/AVERAGE

Specifies that a bar graph of average statistics is to be included in the display and summary outputs.

/CURRENT

Specifies that a bar graph of current statistics is to be included in the display and summary outputs. The /CURRENT qualifier is the default for the CLUSTER, MODES, STATES, SYSTEM, and VECTOR classes.

/MAXIMUM

Specifies that a bar graph of maximum statistics is to be included in the display and summary outputs.

/MINIMUM

Specifies that a bar graph of minimum statistics is to be included in the display and summary outputs.

/PERCENT

/NOPERCENT (default)

Controls whether statistics are expressed as percent values in display and summary outputs. The /PERCENT qualifier is applicable only to the DISK, MODES, SCS, and STATES class names.

Description

The STATES class shows the number of processes in each of the 14 scheduler states. The following table describes these scheduler states:

Scheduler State	Description																																						
Collided Page Wait (COLPG)	Waiting for a faulted page in transition.																																						
Mutex & Miscellaneous Resource Wait (MWAIT)	Waiting for the availability of a mutual exclusion semaphore or a dynamic resource. The following table contains a summary of Mutex and Miscellaneous Resource Wait states and identifying codes, as they appear in the PROCESSES class display:																																						
	<table border="1"> <thead> <tr> <th>MWAIT</th> <th>Reason for Wait</th> </tr> </thead> <tbody> <tr> <td>MUTEX</td> <td>Mutual exclusion semaphore</td> </tr> <tr> <td>RWAST</td> <td>AST wait (wait for system or special kernel AST)</td> </tr> <tr> <td>RWBRK</td> <td>Breakthrough (wait for broadcast message)</td> </tr> <tr> <td>RWCAP</td> <td>CPU capability required</td> </tr> <tr> <td>RWCLU</td> <td>Cluster state transition wait</td> </tr> <tr> <td>RWCSV</td> <td>Cluster server</td> </tr> <tr> <td>RWIMG</td> <td>Image activation lock</td> </tr> <tr> <td>RWLCK</td> <td>Lock database</td> </tr> <tr> <td>RWMBX</td> <td>Mailbox full</td> </tr> <tr> <td>RWMPB</td> <td>Modified page writer busy</td> </tr> <tr> <td>RWMPE</td> <td>Modified page list empty</td> </tr> <tr> <td>RWNPG</td> <td>Nonpaged dynamic memory</td> </tr> <tr> <td>RWPAG</td> <td>Paged dynamic memory</td> </tr> <tr> <td>RWPGF</td> <td>Page file full</td> </tr> <tr> <td>RWQUO</td> <td>Job quota</td> </tr> <tr> <td>RWSCS</td> <td>System Communications Services wait</td> </tr> <tr> <td>RWSNP</td> <td>System snapshot</td> </tr> <tr> <td>RWSWP</td> <td>Swap file space</td> </tr> </tbody> </table>	MWAIT	Reason for Wait	MUTEX	Mutual exclusion semaphore	RWAST	AST wait (wait for system or special kernel AST)	RWBRK	Breakthrough (wait for broadcast message)	RWCAP	CPU capability required	RWCLU	Cluster state transition wait	RWCSV	Cluster server	RWIMG	Image activation lock	RWLCK	Lock database	RWMBX	Mailbox full	RWMPB	Modified page writer busy	RWMPE	Modified page list empty	RWNPG	Nonpaged dynamic memory	RWPAG	Paged dynamic memory	RWPGF	Page file full	RWQUO	Job quota	RWSCS	System Communications Services wait	RWSNP	System snapshot	RWSWP	Swap file space
MWAIT	Reason for Wait																																						
MUTEX	Mutual exclusion semaphore																																						
RWAST	AST wait (wait for system or special kernel AST)																																						
RWBRK	Breakthrough (wait for broadcast message)																																						
RWCAP	CPU capability required																																						
RWCLU	Cluster state transition wait																																						
RWCSV	Cluster server																																						
RWIMG	Image activation lock																																						
RWLCK	Lock database																																						
RWMBX	Mailbox full																																						
RWMPB	Modified page writer busy																																						
RWMPE	Modified page list empty																																						
RWNPG	Nonpaged dynamic memory																																						
RWPAG	Paged dynamic memory																																						
RWPGF	Page file full																																						
RWQUO	Job quota																																						
RWSCS	System Communications Services wait																																						
RWSNP	System snapshot																																						
RWSWP	Swap file space																																						
Common Event Flag Wait (CEF)	Waiting for a combination of event flags to be set in a common event block.																																						
Page Fault Wait (PFW)	Waiting for a page to be read as a result of a page fault; resident processes.																																						
Local Event Flag Wait (LEF)	Waiting for one or more local event flags to be posted; resident processes.																																						
Local Event Flag (Outswapped) (LEFO)	Waiting for one or more local event flags to be posted; outswapped processes.																																						

MONITOR

MONITOR STATES

Scheduler State	Description
Hibernate (HIB)	Hibernating, or process has executed a hibernate request; resident processes.
Hibernate (Outswapped) (HIBO)	Hibernating, or process has executed a hibernate request; outswapped processes.
Suspended (SUSP)	Process has executed a suspend request; resident processes.
Suspended (Outswapped) (SUSPO)	Process has executed a suspend request; outswapped processes.
Free Page Wait (FPW)	Waiting for a free page of memory.
Compute (COM)	Ready to use the processor; resident processes.
Compute (Outswapped) (COMO)	Ready to use the processor; outswapped processes.
Current Process (CUR)	Using the processor.

The data items can also be displayed as percentages of all processes.

Note that the Current Process is always the process running MONITOR, because MONITOR is running when each measurement is made.

For performance reasons, MONITOR does not synchronize the scanning of process state data structures with operating system use of those structures. It is therefore possible that MONITOR will display certain anomalous state indications.

Example

```
$ MONITOR/INPUT/SUMMARY/NODISPLAY -
  $/BEGINNING=29-APR-2003:13:00 -
  $/ENDING=29-APR-2003:14:00 STATES/PERCENT/ALL
  § TYPE MONITOR.SUM
```

```

OpenVMS Monitor Utility
PROCESS STATES (%)
on node SAMPLE      From: 29-APR-2003 13:00:00
SUMMARY            To:   29-APR-2003 14:00:00

CUR%    AVE%    MIN%    MAX%
Collided Page Wait      0.0     0.0     0.0     0.0
Mutex & Misc Resource Wait 0.0     0.0     0.0     0.0
Common Event Flag Wait  0.0     0.0     0.0     0.0
Page Fault Wait         4.3     1.4     0.0     4.3
Local Event Flag Wait   34.7    31.7    34.7    42.8
Local Evt Flg (Outswapped) 0.0     9.0     0.0    19.4

Hibernate                43.4    40.7    43.4    52.1
Hibernate (Outswapped)  0.0     4.3     0.0    15.4
Suspended                 0.0     0.0     0.0     0.0
Suspended (Outswapped)  0.0     0.0     0.0     0.0
Free Page Wait           0.0     0.0     0.0     0.0
Compute                  13.0     7.3     4.3    13.0
Compute (Outswapped)    0.0     0.8     0.0     3.2
Current Process          1.0     1.0     1.0     1.0
PLAYBACK                SUMMARIZING
```

MONITOR MONITOR STATES

The commands in this example generate and display a PROCESS STATES summary. Note that since use of the Return key is not permitted within a single MONITOR command following the MONITOR> prompt, the MONITOR command is entered at DCL level. The summary shows that, on the average, 14.1 percent of processes were swapped out for the summarized period. Note that the summary was requested for data covering only the hour between 1 P.M. and 2 P.M., although the input file could have contained data covering a longer period.

MONITOR MONITOR SYSTEM

MONITOR SYSTEM

The MONITOR SYSTEM command initiates monitoring of the SYSTEM statistics class, which shows several of the most important items from other classes.

Format

MONITOR SYSTEM

Command Qualifiers

/qualifier[,...]

One or more qualifiers as described in the Command Qualifier Descriptions section.

Classname Qualifiers

/ALL

Specifies that a table of all available statistics (current, average, minimum, and maximum) is to be included in the display and summary output. For summary output, this qualifier is the default for all classes; otherwise, it is the default for all classes except CLUSTER, MODES, PROCESSES, STATES, SYSTEM, and VECTOR.

/AVERAGE

Specifies that a bar graph of average statistics is to be included in the display and summary outputs.

/CURRENT

Specifies that a bar graph of current statistics is to be included in the display and summary outputs. The /CURRENT qualifier is the default for the CLUSTER, MODES, STATES, SYSTEM, and VECTOR classes.

/MAXIMUM

Specifies that a bar graph of maximum statistics is to be included in the display and summary outputs.

/MINIMUM

Specifies that a bar graph of minimum statistics is to be included in the display and summary outputs.

Description

Because the SYSTEM class collects the most significant performance statistics from other classes in a single display, it is particularly useful to system managers and other users seeking a general overview of system activity. The SYSTEM class includes the following data items:

- Interrupt Stack (on VAX systems) or Interrupt State (on Alpha systems)
- MP Synchronization
- Kernel Mode
- Executive Mode
- Supervisor Mode
- User Mode
- Compatibility Mode (meaningful on VAX systems only)
- Idle Time

Process Count
Page Fault Rate
Page Read I/O Rate
Free List Size
Modified List Size
Direct I/O Rate
Buffered I/O Rate

The following two display formats are provided, depending on the classname qualifier specified:

- A tabular style format for the /ALL qualifier
- A bar graph style format for the /AVERAGE, /CURRENT, /MAXIMUM, and /MINIMUM qualifiers

Examples of these formats are at the end of this section. Note that the bar graph version of the SYSTEM class (shown in Example 2) contains the following data, which differs from the tabular version:

- All of the CPU processor modes except Idle Time are summarized in the CPU Busy segment.
- In the Page Fault segment, the page read I/O rate is indicated by a vertical bar. The bar provides a visual estimate of the proportion of the total page fault rate that caused read I/O operations (the hard fault rate). The hard fault rate appears to the left of the bar.
- Four segments show the processes that are currently the top consumers of CPU (since the last screen update), page faults, direct I/Os, and buffered I/Os.

Beginning in OpenVMS Version 7.3, the following rate fields have increased in the MONITOR SYSTEM bar graph screen display:

Rate Name	Old Rate	New Rate
Page Fault	100	500
Hard Page Fault (vertical line on Page Fault display)	100	500
Direct I/O	60	500
Free List Size	Shown in K blocks	Shown in K, M, or G blocks (whichever is appropriate)
Mod (modified) List Size	5 digits; K blocks	8 digits; K, M, or G blocks (whichever is appropriate)
Buffered I/O	150	500

Any process that MONITOR designates as a top user process must be swapped in at the beginning and ending of the display interval or at the beginning and ending of the entire period covered by a summary.

When the lower bar graph (top user) and the corresponding upper bar graph (overall system measure) are tracking the same statistic for the same interval (as in Example 2), it is reasonable to compare the two graphs. This will be the case in the following situation:

- SYSTEM is the only class being monitored (no other class names have been specified with the MONITOR command).

MONITOR MONITOR SYSTEM

- The CURRENT statistic is specified.
- The /INTERVAL and /VIEWING_TIME values are equal.

Otherwise, exercise care in making such comparisons because the top user statistic is always CURRENT, while the overall system measure statistic may be CURRENT, AVERAGE, MAXIMUM, or MINIMUM.

Rates for top users are calculated based on the interval between two successive screen displays, while overall system rates are based on the collection interval. These two interval values can be different whenever one or more classes are being monitored with the SYSTEM class, or when /INTERVAL and /VIEWING_TIME values differ.

While other upper boundary figures for the SYSTEM class bar graphs are constants, the figures for Free List Size and Modified List Size are derived from the physical memory configuration and system parameters of individual systems. The upper boundary figure for the Free List is the number of pages available after deducting the pages permanently allocated to the operating system. This figure, sometimes referred to as **balance set memory**, is the number of pages that can be allocated to processes, the Free List, and the Modified List. The upper boundary figure for the Modified List is the value of the MPW_HILIMIT system parameter. Note that both upper boundary figures are calculated when the MONITOR request is initiated and do not change thereafter.

Examples

1. MONITOR> MONITOR SYSTEM/ALL

```
OpenVMS Monitor Utility
SYSTEM STATISTICS
on node SAMPLE
29-APR-2003 12:43:28
```

	CUR	AVE	MIN	MAX
Interrupt Stack	0.33	0.33	0.33	0.33
MP Synchronization	0.00	0.00	0.00	0.00
Kernel Mode	0.16	0.16	0.16	0.16
Executive Mode	0.00	0.00	0.00	0.00
Supervisor Mode	0.00	0.00	0.00	0.00
User Mode	0.50	0.49	0.50	0.50
Compatibility Mode	0.00	0.00	0.00	0.00
Idle Time	99.00	98.67	99.00	99.00
Process Count	14.00	14.00	14.00	14.00
Page Fault Rate	0.33	0.33	0.33	0.33
Page Read I/O Rate	0.00	0.00	0.00	0.00
Free List Size	4255.00	4255.00	4255.00	4255.00
Modified List Size	105.00	105.00	105.00	105.00
Direct I/O Rate	0.00	0.00	0.00	0.00
Buffered I/O Rate	0.16	0.16	0.16	0.16

This example shows the tabular style format for the SYSTEM display.

MONITOR MONITOR SYSTEM

2. MONITOR> MONITOR SYSTEM

```

Node: BRS004                OpenVMS Monitor Utility        5-JUN-2003 10:45:32
Statistic: CURRENT          SYSTEM STATISTICS

                                Process States
CPU      0  + CPU Busy (400)      -+          LEF:   15      LEFO:   0
           |*****|              HIB:   14      HIBO:   0
           +-----+ 400          COM:    8      COMO:   0
           |*|                    PFW:    0      Other:  1
           +-----+          MWAIT:  0
           Cur Top: BATCH_27 (6)          Total: 38

MEMORY   0  + Page Fault Rate (1438) -+          + Free List Size (35173) +
           |****|*****|              |*****| 54K
           +-----+ 500          0 +-----+
           |****|                    |*****| 5765
           +-----+          + Mod List Size (3078) +

I/O      0  + Direct I/O Rate (442) -+          + Buffered I/O Rate (112) -+
           |*****|              |*****|
           +-----+ 500          0 +-----+ 500
           |*|                    |
           +-----+          +-----+
           Cur Top: BATCH_24 (23)          Cur Top: BATCH_24 (6)

```

This example shows the bar graph style format for the SYSTEM display.

MONITOR

MONITOR TIMER

MONITOR TIMER

The MONITOR TIMER command initiates monitoring of the TIMER statistics class, which is the rate of processing Timer Queue Entries (TQEs) by the OpenVMS executive. A TQE is a data structure representing a timer request made by a user or by the system.

Format

MONITOR TIMER

Command Qualifiers

/qualifier[,...]

One or more qualifiers as described in the Command Qualifier Descriptions section.

Classname Qualifiers

/ALL

Specifies that a table of all available statistics (current, average, minimum and maximum) is to be included in the display and summary outputs. For summary output, this qualifier is the default for all classes; otherwise, it is the default for all classes except CLUSTER, MODES, PROCESSES, STATES, SYSTEM, and VECTOR.

/AVERAGE

Specifies that a bar graph of average statistics is to be included in the display and summary outputs.

/CURRENT

Specifies that a bar graph of current statistics is to be included in the display and summary outputs. The /CURRENT qualifier is the default for the CLUSTER, MODES, STATES, SYSTEM, and VECTOR classes.

/MAXIMUM

Specifies that a bar graph of maximum statistics is to be included in the display and summary outputs.

/MINIMUM

Specifies that a bar graph of minimum statistics is to be included in the display and summary outputs.

Description

The TIMER class consists of the following data items, which are displayed as rates of occurrences per second:

Data Item	Description
Total TQE Rate	Total Rate of TQEs processed per second. This statistic is a combined total of the three following TQE rates.

MONITOR MONITOR TIMER

Data Item	Description
SYSUB TQE Rate	Rate of SYSUB TQEs processed per second. These system subroutine TQEs represent timer requests made by the OpenVMS operating system.
Timer TQE Rate	Rate of Timer TQEs processed per second. These TQEs represent timer requests made by users through the \$SETIMR system service.
Wakeup TQE Rate	Rate of wakeup TQEs processed per second. These TQEs represent timer requests made by users through the \$SCHDWK system service.

Examples

1. MONITOR> MONITOR TIMER

```
OpenVMS Monitor Utility
TIMER STATISTICS
on node EBJB28
6-OCT-2003 08:46:13.84

                CUR      AVE      MIN      MAX
Total TQE Rate      56.00    56.00    56.00    56.00
SYSUB TQE Rate      51.33    51.33    51.33    51.33
Timer TQE Rate       4.33     4.33     4.33     4.33
Wakeup TQE Rate      0.33     0.33     0.33     0.33
```

This example shows a relatively low over-all level of TQE processing, most of which has been requested by OpenVMS. Note that the last three rates approximately total the first rate.

MONITOR MONITOR TRANSACTION

MONITOR TRANSACTION

The MONITOR TRANSACTION command initiates monitoring of the TRANSACTION class, which shows information about transactions coordinated by DECdtm services.

Format

MONITOR TRANSACTION

Command Qualifiers

/qualifier[,...]

One or more qualifiers as described in the Command Qualifier Descriptions section.

Classname Qualifiers

/ALL

Specifies that a table of all available statistics (current, average, minimum, and maximum) is to be included in the display and summary output. For summary output, this qualifier is the default for all classes; otherwise, it is the default for all classes except CLUSTER, MODES, PROCESSES, STATES, SYSTEM, and VECTOR.

/AVERAGE

Specifies that a bar graph of average statistics is to be included in the display and summary outputs.

/CURRENT

Specifies that a bar graph of current statistics is to be included in the display and summary outputs. The /CURRENT qualifier is the default for the CLUSTER, MODES, STATES, SYSTEM, and VECTOR classes.

/MAXIMUM

Specifies that a bar graph of maximum statistics is to be included in the display and summary outputs.

/MINIMUM

Specifies that a bar graph of minimum statistics is to be included in the display and summary outputs.

Description

The TRANSACTION class consists of the following data items:

Data Item	Description
Start Rate	The rate at which new transactions are started on the local node.
Prepare Rate	The rate at which transactions on the local node are placed in the Prepared state by DECdtm services.

MONITOR MONITOR TRANSACTION

Data Item	Description												
One-Phase Commit Rate	The rate at which transactions on the local node complete using the one-phase commit operation. This operation, which consumes significantly fewer system resources, is used when there is only a single resource manager participating in the transaction.												
Total Commit Rate	The rate at which transactions on the local node are committed. This value is the combined total of one-phase and two-phase commit transactions.												
Abort Rate	The rate at which transactions on the local node are aborted.												
End Rate	The rate at which transactions that were started on the local node are committed.												
Remote Start Rate	The rate at which transaction branches are started on the local node.												
Remote Add Rate	The rate at which transaction branches are added on the local node.												
Completion Rate	<p>The rate at which transactions complete, indexed by their duration in seconds. The following list shows the Completion Rate categories:</p> <table style="width: 100%; border-collapse: collapse;"> <tbody> <tr> <td style="width: 30%;">Completion Rate 0–1</td> <td>The number of transactions completed in 0–1 seconds (1 second or less)</td> </tr> <tr> <td>Completion Rate 1–2</td> <td>The number of transactions completed in 1–2 seconds</td> </tr> <tr> <td>Completion Rate 2–3</td> <td>The number of transactions completed in 2–3 seconds</td> </tr> <tr> <td>Completion Rate 3–4</td> <td>The number of transactions completed in 3–4 seconds</td> </tr> <tr> <td>Completion Rate 4–5</td> <td>The number of transactions completed in 4–5 seconds</td> </tr> <tr> <td>Completion Rate 5+</td> <td>The number of transactions that took more than 5 seconds to complete</td> </tr> </tbody> </table> <p>For example, a transaction that completes in 0.5 second is included in the statistics displayed for the Completion Rate 0–1 category.</p>	Completion Rate 0–1	The number of transactions completed in 0–1 seconds (1 second or less)	Completion Rate 1–2	The number of transactions completed in 1–2 seconds	Completion Rate 2–3	The number of transactions completed in 2–3 seconds	Completion Rate 3–4	The number of transactions completed in 3–4 seconds	Completion Rate 4–5	The number of transactions completed in 4–5 seconds	Completion Rate 5+	The number of transactions that took more than 5 seconds to complete
Completion Rate 0–1	The number of transactions completed in 0–1 seconds (1 second or less)												
Completion Rate 1–2	The number of transactions completed in 1–2 seconds												
Completion Rate 2–3	The number of transactions completed in 2–3 seconds												
Completion Rate 3–4	The number of transactions completed in 3–4 seconds												
Completion Rate 4–5	The number of transactions completed in 4–5 seconds												
Completion Rate 5+	The number of transactions that took more than 5 seconds to complete												

MONITOR MONITOR TRANSACTION

Examples

1. MONITOR> MONITOR TRANSACTION/ALL

```

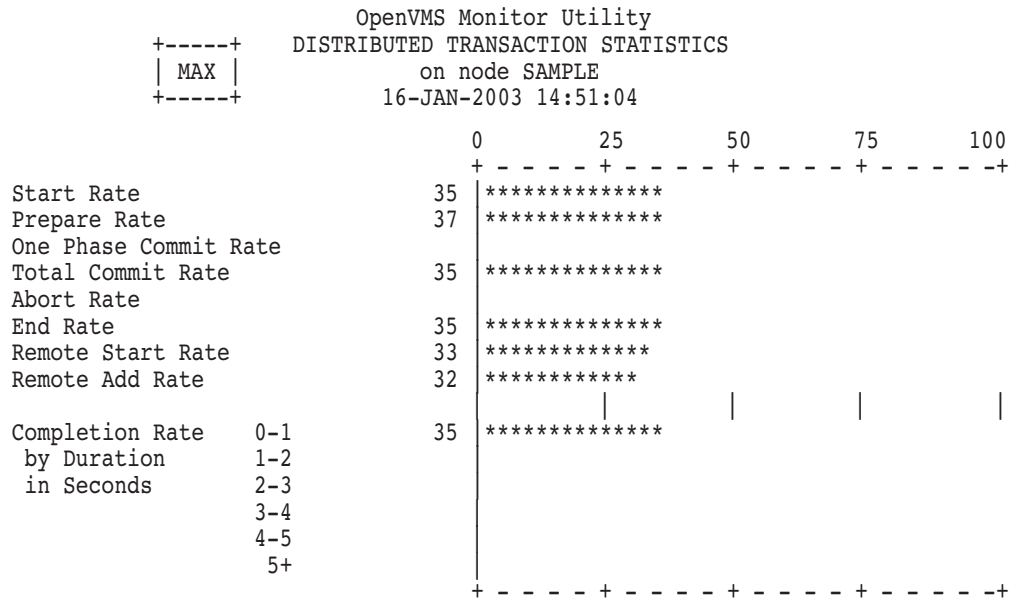
                                OpenVMS Monitor Utility
                                DISTRIBUTED TRANSACTION STATISTICS
                                on node SAMPLE
                                16-JAN-2003 14:52:34

```

	CUR	AVE	MIN	MAX
Start Rate	34.76	34.76	34.76	34.76
Prepare Rate	33.77	33.77	33.77	33.77
One Phase Commit Rate	0.00	0.00	0.00	0.00
Total Commit Rate	35.09	35.09	35.09	35.09
Abort Rate	0.00	0.00	0.00	0.00
End Rate	35.09	35.09	35.09	35.09
Remote Start Rate	31.12	31.12	31.12	31.12
Remote Add Rate	31.45	31.45	31.45	31.45
Completion Rate 0-1	35.09	35.09	35.09	35.09
by Duration 1-2	0.00	0.00	0.00	0.00
in Seconds 2-3	0.00	0.00	0.00	0.00
3-4	0.00	0.00	0.00	0.00
4-5	0.00	0.00	0.00	0.00
5+	0.00	0.00	0.00	0.00

This example shows the status of all transactions on node SAMPLE.

2. MONITOR> MONITOR TRANSACTION/MAXIMUM



This example shows the maximum statistics of all transactions on node SAMPLE.

MONITOR VBS (VAX Only)

On VAX systems, the MONITOR VBS command displays information about the processing of virtual balance slots (VBS).

Format

MONITOR VBS

Description

The MONITOR VBS command includes the following data items:

Data Item	Description
RBS Fault Rate	Rate at which processes fault from virtual balance slots into real balance slots (RBS)
CPU Utilization	Amount of CPU time used by the operating system to support the virtual balance slot feature (at a rate of 10-millisecond clock ticks per second)

To see which processes have the highest RBS fault rates, issue the MONITOR PROCESSES/TOPRBS command.

Example

MONITOR> MONITOR VBS

```
OpenVMS Monitor Utility
VIRTUAL BALANCE SLOT STATISTICS
on node SAMPLE
29-APR-2003 12:43:28

RBS Fault Rate      CUR      AVE      MIN      MAX
CPU Utilization    0.99     0.24     0.00     0.99
```

This example shows the tabular style format for the VBS display.

MONITOR MONITOR VECTOR

MONITOR VECTOR

The MONITOR VECTOR command displays the number of 10-millisecond clock ticks per second in which one or more vector consumers have been scheduled on each currently configured vector processor in the system.

Format

MONITOR VECTOR

Command Qualifiers

/qualifier[,...]

One or more qualifiers as described in the Command Qualifier Descriptions section.

Classname Qualifiers

/ALL

Specifies that a table of all available statistics (current, average, minimum, and maximum) is to be included in the display and summary output. For summary output, this qualifier is the default for all classes; otherwise, it is the default for all classes except CLUSTER, MODES, PROCESSES, STATES, SYSTEM, and VECTOR.

/AVERAGE

Specifies that a bar graph of average statistics is to be included in the display and summary outputs.

/CURRENT

Specifies that a bar graph of current statistics is to be included in the display and summary outputs. The /CURRENT qualifier is the default for the CLUSTER, MODES, STATES, SYSTEM, and VECTOR classes.

/MAXIMUM

Specifies that a bar graph of maximum statistics is to be included in the display and summary outputs.

/MINIMUM

Specifies that a bar graph of minimum statistics is to be included in the display and summary outputs.

Description

The MONITOR VECTOR command displays the number of 10-millisecond clock ticks per second in which one or more vector consumers have been scheduled on each currently configured vector processor in the system. Because the operating system schedules vector consumers only on those processors identified as “vector present,” the VECTOR class output never displays vector CPU time for those processors that are “vector absent.”

Note that, because vector consumers can use either the vector CPU, the scalar CPU, or both components of a vector-present processor, the vector CPU time in the VECTOR class display is not a strict measure of the actual usage of the processor’s vector CPU component. Rather, it indicates the time during which

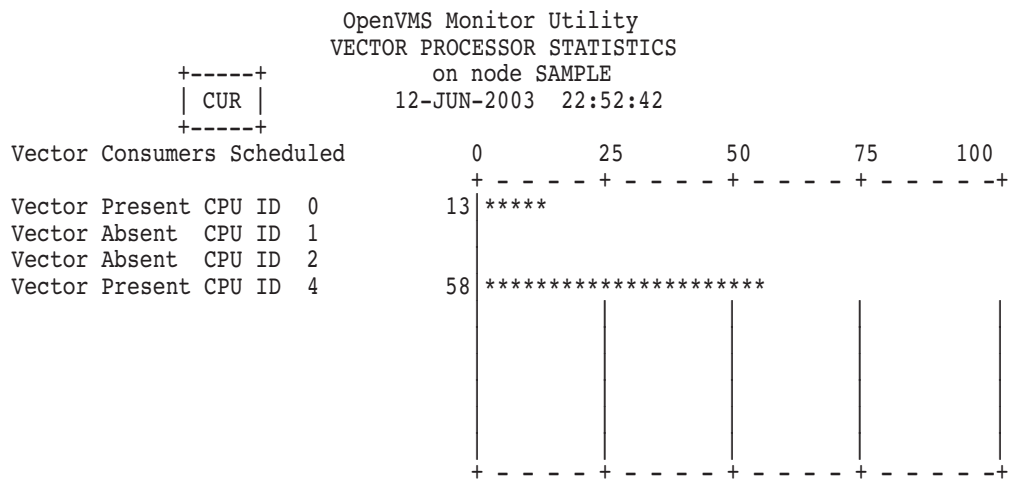
MONITOR MONITOR VECTOR

a scheduled vector consumer has reserved both vector CPU and scalar CPU components of the vector-present processor for its own exclusive use.

The VECTOR class consists of the data item Vector Scheduled Rate, which is represented by a display of statistics that show the rates of 10-millisecond clock ticks per second during which vector consumers have been scheduled on each vector-present CPU.

Example

```
MONITOR> MONITOR VECTOR
```



This example shows the VECTOR class display for a multiprocessing system containing two vector-present processors, CPU 0 and CPU 4. Displayed statistics represent rates of 10-millisecond clock ticks per second. For an average of 13 ticks per second over the last collection interval, vector consumers have been scheduled on CPU 0. For an average of 58 ticks per second over the last collection interval, vector consumers have been scheduled on CPU 4.

MONITOR SET DEFAULT

SET DEFAULT

The SET DEFAULT command sets command qualifier, classname parameter, and classname qualifier defaults for the MONITOR command. Each SET DEFAULT command sets only the command qualifiers you specify, but replaces the entire set of classname parameters and classname qualifiers. All qualifiers and class names are identical to those for the MONITOR command.

Format

```
SET DEFAULT [/qualifier[,...]] classname[,...] [/qualifier[,...]]
```

Parameters

classname[,...]
Specifies one or more class names.

Command Qualifiers

/qualifier[,...]
One or more command qualifiers as described in the Command Qualifier Descriptions section.

Classname Qualifiers

/qualifier[,...]
One or more classname qualifiers.

Description

Command and classname qualifiers are identical to those for the MONITOR classname commands.

Example

```
MONITOR> SET DEFAULT /INTERVAL=10 PAGE/AVERAGE+IO/MAXIMUM /NODE=(LARRY,MOE,CURLEY)
```

The command in this example selects PAGE and IO as the default classes for the MONITOR command and specifies an interval of 10 seconds for the statistics display. The command specifies that AVERAGE statistics be displayed for the PAGE class, and that MAXIMUM statistics be displayed for the IO class. Finally, the command requests that data be collected on nodes LARRY, MOE, and CURLEY. After establishing these defaults, you can enter the MONITOR command without any qualifiers or parameters to display the requested information.

SHOW DEFAULT

The SHOW DEFAULT command displays the defaults established by the SET DEFAULT command.

Format

SHOW DEFAULT

Parameters

None.

Qualifiers

None.

Description

The SHOW DEFAULT command verifies the defaults you have set with the SET DEFAULT command.

Example

```
MONITOR> SHOW DEFAULT
```

```

/BEGINNING = current time           /INTERVAL      = 10
/ENDING     = indefinite             /VIEWING_TIME  = 10
/FLUSH_INTERVAL = 300
/NOINPUT
/NORECORD
/DISPLAY    = SYS$OUTPUT:.;
/NOSUMMARY
/NOFILENAME
/NOCOMMENT
Classes:
  PAGE/AVERAGE           IO/MAXIMUM
Nodes:
  LARRY                   MOE                CURLEY
```

The command in this example displays the defaults specified by the previous SET DEFAULT command.

Point-to-Point Utility

2.1 PPPD Description

The Point-to-Point Protocol utility (PPPD) initiates and manages a Point-to-Point Protocol (PPP) network connection and its link parameters from an OpenVMS Alpha host system. This chapter describes the PPPD commands, with their parameters and qualifiers, that support PPP connections.

For information about the PPP driver and its programming interface, see the files PPP_INTERFACES.TXT and PPP_INTERFACES.PS in SYS\$SYSROOT:[SYSHLP.EXAMPLES.PPPD.DOC].

2.2 PPPD Usage Summary

The Point-to-Point Protocol utility (PPPD) allows you to initiate and control a Point-to-Point Protocol (PPP)-compliant network connection from an OpenVMS Alpha host and define its physical link parameters.

Specifically, you can use this utility to:

- Create an asynchronous (ASN) device. PPPD creates the device automatically if one is not currently associated with a serial port (such as TTA1).
- Set both PPP and ASN device characteristics such as flow control and baud rate.
- Inform the network stacks that there is a new physical transport that uses the PPP.
- Act as a simple terminal emulator when establishing a connection to a new system (asynchronous only).
- Display configuration information about the ASN and PPP device drivers as well as any ongoing PPPD sessions.

Format

```
$ PPPD
```

The utility then displays the following prompt:

```
PPPD>
```

Description

After invoking PPPD, you can perform PPPD operations by entering the appropriate commands. You can also enter a single PPPD command on the same line as the command that invokes the utility, for example:

```
$ PPPD CONNECT TTAO:
```

To exit from the Point-to-Point Protocol utility, enter the EXIT command at the PPPD> prompt or press Ctrl/Z. Either method returns control to the DCL command level.

For information about the PPPD utility, enter the HELP command at the PPPD> prompt.

PPPD

2.3 PPPD Commands

2.3 PPPD Commands

This section describes and provides examples of the PPPD commands. If you need to customize your PPP settings, command qualifiers are provided. However, most users will be satisfied with the default settings.

Table 2–1 summarizes the PPPD command functions.

Table 2–1 PPPD Command Summary

Command	Function
CONNECT	Establishes a network connection through the current physical port or a specified remote port.
DIAL_OUT	Allows direct access to a device to dial out over a modem or link to an external device.
DISCONNECT	Terminates the network connection and returns control to the terminal driver.
EXIT	Leaves the utility and returns you to the DCL command prompt (\$).
HELP	Displays help text for PPPD commands.
SET	Determines the device and line characteristics for the specified terminal.
SHOW	Displays the device and line characteristics of the specified terminal.

CONNECT

Establishes a network connection to a device located on the current physical port or specified remote port.

Format

```
CONNECT device-name[:]
```

Parameter

device-name[:]

Optional. Supplies the name of a device through which the network connection is made. The device name has the form *ddcu* where *dd* is the device code, *c* is the controller designation, and *u* is the unit number. LAN devices are specified as the name of the device that is unit 0. For example, the first terminal device on a LAN is specified as TTA0, the second as TTb0.

Qualifiers

None.

Description

The CONNECT command creates a link, or connection, to the device located on the current physical port or a specific remote port. When you enter this command, control passes to the PPP driver and an incoming transient network session is established. When the session is disconnected, the control of the host device returns to the terminal device driver.

Example

```
PPPD> CONNECT TTA1:
%PPPD-I-CONNECTTERM, converting connection on device _TTA1: to a
Point-to-Point connection
```

The command in this example creates a temporary network connection to the serial port TTA1. The port is ready to receive the PPP setup negotiations initiated by the host at the other end of the serial connection.

DIAL_OUT

Provides access to a specific physical device to dial a modem or link to an external device.

Format

DIAL_OUT device-name[:]

Parameter

device-name[:]

Supplies the name of a device over which the network connection is made. The device name has the form *ddcu* where *dd* is the device code, *c* is the controller designation, and *u* is the unit number. LAN devices are specified as the name of the device that is unit 0. For example, the first terminal device on a LAN is specified as TTA0, the second as TTb0.

Qualifiers

/BREAK=break-character

Specifies a character sequence that you can use to interrupt the signal being currently transmitted. To interrupt the signal, type *Ctrl/break-character*. You can select any ASCII character from @ through Z, except C, M, Q, S, and Y. The default break character is ~.

/DISCONNECT=disconnect-character

Specifies a character sequence that you can use to terminate DIAL_OUT mode. To disconnect the call, type *Ctrl/disconnect-character*. You can select any ASCII character from @ through Z, except C, M, Q, S, and Y. The default disconnect character is \.

/SWITCH=switch-character

Specifies a character sequence that you can use to switch the line to PPP mode. To activate PPP mode, type *Ctrl/switch-character*. You can select any ASCII character from @ through Z, except C, M, Q, S, and Y. The default switch character is @.

Similar to the CONNECT command, this qualifier switches a line into PPP mode. If the packet negotiations fail, PPPD exits and the line is left in terminal mode. If line is set to /MODEM and /NOHANGUP, this can result in extraneous data, the ASCII representation of Internet Protocol (IP) packets, being transmitted across the open line.

Description

The DIAL_OUT command directs access to a specific physical device to dial a modem or access an external device.

Example

```
PPPD> DIAL OUT TTA0:
Type control-~ to send a break,
      control-\ to disconnect,
      and control-@ to switch to a point-to-point connection.

UNIVRS - Unauthorized access is prohibited
Username:  SEBASTIAN
Password:

      Welcome to OpenVMS (TM) Alpha Operating System, Version 7.3-1 on node UNIVRS
      Last interactive login on Tuesday, AUGUST 13, 2000 02:39 PM
      Last non-interactive login on Monday, AUGUST 12, 2000 02:16 PM

$ PPPD CONNECT
%PPPD-I-CONNECTTERM, converting connection on device _TTB0: to a
Point-to-Point connection
Ctrl-@

%PPPD-I-CONNECTTERM, converting connection on device _TTA1: to a
Point-to-Point connection
```

This example illustrates using PPP with a direct serial link.

PPPD DISCONNECT

DISCONNECT

Terminates the current network connection.

Format

DISCONNECT device-name[:]

Parameter

device-name[:]

Optional. Indicates the name of a device over which the network connection occurred. The device name has the form *ddcu* where *dd* is the device code, *c* is the controller designation, and *u* is the unit number. LAN devices are specified as the name of the device that is unit 0. For example, the first terminal device on a LAN is specified as TTA0, the second as TTB0.

Qualifiers

None.

Description

The DISCONNECT command terminates the physical link to a network, independent of the state of the upper-level protocols. The physical device reverts to the appropriate terminal driver and the upper-level protocols receive a hang-up event. This command is often used to clear and reset port communication settings in the case of a system pause.

```
PPPD> DISCONNECT TTA1:
```

The command in this example terminates the current network connection established through the serial port TTA1.

Note

A user must have the same UIC as the one on the ASNn: device for the connection, or have SYSPRV privilege to disconnect a serial port.

EXIT

Stops the execution of PPPD and returns control to the DCL command level. You can enter Ctrl/Z only if the line has not already been switched to PPP mode.

Format

EXIT

Parameters

None.

Qualifiers

None.

Description

Use the EXIT command to exit the utility.

```
PPPD> EXIT
```

The command in this example leaves the PPPD utility and returns control to the DCL command level.

PPPD HELP

HELP

Provides online help information for using the PPPD commands.

Format

HELP [command-name...]

Parameter

command-name

The name of a PPPD command or PPPD command and command keyword. If you enter the HELP command with a command name only, such as HELP SET, PPPD displays a list of all of the command keywords used with the SET command.

Description

The HELP command is an online reference for PPPD commands. After you view an initial help display, press Return. The help display stops and the PPPD prompt is displayed. If you do not specify a command name, the HELP command displays general information on the commands for which help is available. Supplying a command name obtains syntax information for that command.

```
PPPD> HELP DISCONNECT
```

In this example, the HELP DISCONNECT command produces a description of the DISCONNECT command and shows the command format.

SET

Sets the communication line characteristics for a specific terminal device.

Format

SET device-name[:]

Parameter

device-name

Indicates the name of the device whose characteristics are to be set. The device name has the form *ddcu* where *dd* is the device code, *c* is the controller designation, and *u* is the unit number. LAN devices are specified as the name of the device that is unit 0. For example, the first terminal device on a LAN is specified as TTA0, the second as TTb0.

Qualifiers

/ADDRESS_COMPRESSION (default)

/NOADDRESS_COMPRESSION

Indicates whether the address and control fields are compressed.

/CLEAR_COUNTERS=(keyword,...)

Determines which counters to clear when trying to resolve performance problems. The default is to clear all counters. With this qualifier, you can specify one or more of the following keywords:

Keyword	Description
ALL	Resets all counters.
BAD_FCS_PACKETS	Resets the count of packets with a bad frame check sequence (FCS).
DATA_LOST	Resets the count of lost characters that were reported by hardware.
DROPPED_CHARACTERS	Resets the count of all characters thrown away.
FRAMING_ERRORS	Resets the count of characters with framing errors.
LONG_PACKETS	Resets the count of packets longer than the current maximum receive unit (MRU) setting.
RECEIVED_PACKETS	Resets the count of total packets received.
RUNT_PACKETS	Resets the count of packets with too few characters.
TOTAL_CHARACTERS	Resets the count of all characters received.
TRANSMITTED_PACKETS	Resets the count of total packets transmitted.

/CONNECT

Sets the line parameters and binds the ASN device to the physical terminal.

PPPD SET

/ECHO=(FAILURE=*value*, INTERVAL=*value*)

Specifies the number of Link Control Protocol (LCP) echo requests and the interval between requests that must be sent without response before the line is considered down. The default number of echo requests is 0.

/FLOW_CONTROL=*control-option*

Indicates the type of flow control used over the physical link. You can specify one of the following keywords with this qualifier:

Keyword	Description
HARDWARE	Uses RTS/CTS flow control. If using this control, the transmit Asynch Control Character Map (ACCM) can be 0x0, 0x0, 0x0, 0x60000000. Only valid for lines set to /MODEM or /COMMSYNCH.
XON_XOFF (default)	Uses band flow control. If using this control, the optimal transmit ACCM is 0xA0000, 0x0, 0x0, 0x60000000. Only valid for asynchronous lines.

/HANGUP

/NOHANGUP

Determines the action that occurs when a session is terminated. This qualifier notifies the ASN driver when a modem hangup is necessary due to an idle device. For example, when the last network connection is closed on a transient line that is set to /NOHANGUP, the line switches back to the terminal driver but the modem remains connected. This allows users to reaccess the line and log in without having to redial and reestablish the connection.

To use this qualifier, you must have PHY_IO privilege, or the line must have TT2\$M_MODHANGUP already set.

/MAGIC_NUMBER_RETRIES=*value*

Specifies the number of attempts made to negotiate a magic number. Magic numbers are used to detect looped back connections. If you specify 0, no negotiations are made. If you specify 255, negotiation continues until a number is found. The default number of attempts is 5.

/MAXCONFIGURE=*value*

Indicates the number of configure-request packets sent without receiving a valid configure-ack, configure-nak, or configure-reject before assuming the peer is unable to respond. Specify a value in the range of 0 to 255. The default number of packets sent is 10.

/MAXFAILURE=*value*

Indicates the number of configure-nak packets sent without receiving a valid configure-ack before assuming that the configuration is not converging. Specify a value in the range of 0 to 255. The default number of packets sent is 5.

/MAXTERMINATE=*value*

Indicates the number of terminate-request packets sent without receiving a terminate-ack before assuming that the peer is unable to respond. Specify a value in the range of 0 to 255. The default number of packets is 2.

/MRU=size

Specifies the largest packet that can be received over the line. This value is used as part of the line negotiation, and the actual MRU setting can vary. Specify a value in the range of 6 to 1500. The default packet size is 1500.

/MTU=size

Specifies the largest packet that can be transmitted over the line. This value is used as part of the line negotiation, and the actual maximum transfer unit (MTU) setting can vary. Specify a value in the range of 6 to 1500. The default packet size is 1500.

/NETWORK_PROTOCOL=(protocol-name)

Specifies the the protocol allowed over the link. The default network protocol is TCP/IP.

/PASSIVE

/NOPASSIVE (default)

Notifies the PPP driver how to handle the PPP connection. It can either actively initiate the connection or wait for the remote host to start the connection.

/PERMANENT

/NOPERMANENT

Determines how the link is handled when a connection is closed or lost. If you specify */PERMANENT*, the link remains in place with the PPP driver in control. If you specify */NOPERMANENT*, the link is treated as a transient connection, and the terminal reverts to the terminal driver.

/PROTOCOL_COMPRESSION (default)

/NOPROTOCOL_COMPRESSION

Specifies whether the two octet protocol fields are compressed into a single octet.

/RECEIVE_ACCM=mask-value

Identifies the starting Asynch Control Character Map (ACCM). This mask is used by the PPP driver to negotiate the final ACCM for asynchronous ports. Specify a mask in the range of 0x0 to 0xFFFFFFFF. The default mask value is 0xFFFFFFFF, 0x0, 0x0, 0x60000000, 0x0, 0x0, 0x0. The masks are ordered from low-order longword to high-order longword. Specify the longword mask until the last mask bits are set. The remaining longwords are set to 0. With 8 longwords, there is 1 bit for every ASCII character position (from 0 to 255). The ASCII characters 0x20 through 0x3F and 0x5E cannot be quoted.

/RESTART_TIMER=msecs

Interval in milliseconds (msecs) used to time the transmission of configure-request and terminate-request packets. Expiration of the restart timer results in a timeout event and retransmission of the packet. Specify a value from 1 to 90. The default is 30 milliseconds (.03 seconds), which is intended for relatively slow speed links. For smaller, faster links, specify a smaller value.

/SPEED=(input-rate,output-rate)

Allows you to control the input and output speed of the line for asynchronous ports. To use this qualifier, you must have `PHY_IO` privilege, or the line must already have `TT2$M_SETSPEED` set.

PPPD SET

Specify one of the following speeds: 50, 75, 100, 134, 150, 300, 600, 1200, 1800, 2400, 3600, 4800, 7200, 9600, 19200, 38400, 57600, 76800, or 115200. If your line allows split speed, you can specify different speeds for input and output. If you only specify one speed, it is used for both input and output.

/TRANSMIT_ACCM=mask-value,...

Identifies the starting Asynch Control Character Map (ACCM). This mask is used by the PPP driver to negotiate the final transmit ACCM for asynchronous ports. Specify a mask in the range of 0x0 to 0xFFFFFFFF. The default mask value is 0xFFFFFFFF, 0x0, 0x0, 0x60000000, 0x0, 0x0, 0x0. The masks are ordered from low-order longword to high-order longword. Specify the longword mask until the last mask bits are set. The remaining longwords are set to 0. With 8 longwords, there is 1 bit for every ASCII character position (from 0 to 255). The ASCII characters 0x20 through 0x3F and 0x5E cannot be quoted.

Description

Use the SET command to specify the communications characteristic of a terminal device. Communications characteristics such as address compression, flow control, and line speed determine how data is transmitted and received. These characteristics take effect as soon as you invoke the CONNECT or DIAL_OUT command.

Note

If you you invoke a SET command from the DCL command line (for example, PPPD SET/MTU=1000 tta0), the utility assumes you wish to connect and attempt to start a PPP connection on the specified device.

```
PPPD> SET/PERMANENT TTA0:  
%PPPD-I-CONNECTTERM, converting connection on device _TTA0: to a  
Point-to-Point connection
```

In this example, the SET command is setting up a permanent network connection over the serial port TTA0.

SHOW

Allows you to display the communication characteristics for a specific terminal.

Format

SHOW device-name[:]

Parameter

device-name[:]

Supplies the name of the device whose characteristics are to be displayed. The device name has the form *ddcu* where *dd* is the device code, *c* is the controller designation, and *u* is the unit number. LAN devices are specified as the name of the device that is unit 0. For example, the first terminal device on a LAN is specified as TTA0, the second as TTb0.

Qualifiers

/ADDRESS_COMPRESSION

Indicates whether the address compression is on or off.

/ALL[=BRIEF] (default)

/ALL[=LONG]

Displays all the current device and communication settings. BRIEF formats the output for the screen. LONG displays each setting on a separate line.

/COUNTERS=(keyword,...)

Shows the current values for the specified counter(s). You can specify one or more of the following keywords with this qualifier:

Keyword	Description
ALL	Displays all counters.
BAD_FCS_PACKETS	Displays the count of packets with bad frame check sequence (FCS).
DATA_LOST	Displays the count of lost characters that were reported by hardware.
DROPPED_CHARACTERS	Displays the count of all characters thrown away.
FRAMING_ERRORS	Displays the count of characters with framing errors.
LONG_PACKETS	Displays the count of packets longer than the current maximum receive unit setting (MRU).
RECEIVED_PACKETS	Displays the count of total packets received.
RUNT_PACKETS	Displays the count of packets with too few characters.
TOTAL_CHARACTERS	Displays the count of all characters received.
TRANSMITTED_PACKETS	Displays the count of total packets transmitted.

PPPD SHOW

/ECHO=(FAILURE=*value*, INTERVAL=*value*)

Specifies the number of Link Control Protocol (LCP) echo requests and the interval (in milliseconds) between requests that must be sent without response before the line is considered down.

/FCS_SIZE

Shows the current receive and transmit FCS size in bits.

/FLOW_CONTROL=(*keyword*,...)

Shows the current flow control setting used over the asynchronous physical link. You can specify one of the following keywords with this qualifier:

Keyword	Description
HARDWARE	Uses RTS/CTS flow control. If using this control, the transmit Asynch Control Character Map (ACCM) can be 0x0, 0x0, 0x0, 0x60000000. Only valid for lines set to /MODEM or /COMMSYNCH.
XON_XOFF (default)	Uses band flow control. If using this control, the optimal transmit ACCM is 0xA0000, 0x0, 0x0, 0x60000000. Only valid for asynchronous lines.

/HANGUP

Displays the action that occurs when a session is terminated.

/MAGIC_NUMBER_RETRIES

Shows the number of attempts that are made to negotiate a magic number.

/MAXCONFIGURE

Shows the number of configure-request packets sent without acknowledgment before assuming that the peer is not responding.

/MAXFAILURE

Displays the number of configure-nak packets sent before sending a configure-ack and before assuming that the configuration is not converging.

/MAXTERMINATE

Shows the number of terminate-request packets sent without acknowledgment before assuming the peer is unable to respond.

/MRU

Displays the largest packet that the line can receive.

/MTU

Displays the largest packet that the line can transmit.

/NETWORK_PROTOCOL

Displays the current network protocol(s) allowed over the physical link.

/PASSIVE

Indicates whether this is a passive or active line.

/PERMANENT

Indicates whether this is a permanent or transient (nonpermanent) line.

/PROTOCOL_COMPRESSION

Shows the status of protocol field compression.

/RECEIVE_ACCM

Displays the value of the current receive ACCM for asynchronous ports.

/RESTART_TIMER

Displays the interval used to time transmission of request packets.

/SPEED

Indicates the current input and output speeds of the line.

/TRANSMIT_ACCM

Displays the value of the current transmit ACCM for asynchronous ports.

Description

The SHOW command allows you display the current terminal and communication settings. To display all available settings, use the /ALL qualifier.

```

PPPD> SHOW/ALL=BRIEF TTA0:
Line TTA1: is being used for PPP connections

Debug trace:      OFF      Debug mailbox:
Address comp:    OFF      Max configure:      10  Restart timer:      30
ASN port name:  ASN13    Max failure:        5
Echo failure:    0      Max terminate:     2  Receive ACCM:      FFFFFFFF
Echo intervals: 0      MRU:                1500  Transmit ACCM:     FFFFFFFF
Flow control:   XON/XOFF  MTU:                1500  00000000
Hangup:         DEFAULT  Mode:              ACTIVE  00000000
Line type:      TRANSIENT Net protocol:      TCP/IP  60000000
Magic retries:  0      Protocol comp:     OFF    00000000
Input speed:    DEFAULT  Receive FCS:       16    00000000
Output speed:   DEFAULT  Transmit FCS:      16
Counter totals for line TTA0:

Bad FCS packets:      0  Packets received:      4
Data lost (chars):    0  Packets transmitted:   6
Dropped chars:        0  Runt packets:          0
Framing errors:       0  Total chars received:  179
Long packets:         0

```

The command in this example displays the current PPP characteristics assigned to port TTA1.

POLYCENTER Software Installation Utility

3.1 Description

The POLYCENTER Software Installation utility creates, installs, and manages software products. You can use it to do the following:

- Install and reconfigure software products.
- Remove software products.
- Display information from the software product database, such as the names of installed products, the names of patches applied, product dependencies, the names of files provided by product, and historical information about past operations.
- Locate software product kits that can be installed.
- Create a software product kit in sequential, compressed, or reference format.
- List the contents of a software product kit or extract files from the kit, such as release notes or files you specify.
- Perform other operations such as establishing default configuration choices offered by a product, copying a product kit or converting it to a different format, and registering information about a product in the product database.
- Uninstall the last patch or set of patches applied to a product.

3.2 Usage Summary

The DCL interface to the POLYCENTER Software Installation utility is the `PRODUCT` command.

Format

`PRODUCT` [subcommand product-name [/qualifiers]]

Parameters

subcommand

Specifies an operation you want the POLYCENTER Software Installation utility to perform. If you do not supply a subcommand, the utility prompts you to select one from a list.

product-name

Specifies the name of the product to which you want to apply the activity. Some subcommands do not require this parameter. You can use the asterisk (*) and the percent sign (%) wildcard characters for all or part of the *product-name*. You can specify a list of products separated by commas (,).

The product name is the same as the third component of the file name of the product kit. For example, the product name parameter that you would use to refer to a kit named `DEC-AXPVMS-FORTRAN-V0702-3-1.PCSI` is `FORTRAN`. A product name can include an underscore character (`_`) but never a hyphen (`-`). For example, `VMS73_DRIVER` is the name of a remedial kit for OpenVMS whose file name is `DEC-AXPVMS-VMS73_DRIVER-V0300-4.PCSI`.

POLYCENTER Software Installation Utility

3.2 Usage Summary

Description

To use the POLYCENTER Software Installation utility from the DCL prompt, enter the PRODUCT command, a subcommand, and any required parameters and optional qualifiers. For example:

```
$ PRODUCT INSTALL FORTRAN /VERSION=V7.2-3 /SOURCE=DISK1:[KITS]
```

This command installs FORTRAN V7.2-3 on your system from a product kit located in DISK1:[KITS].

3.3 PRODUCT Commands

The following table describes PRODUCT subcommands:

Subcommand	Description
CONFIGURE	Creates a product configuration file (PCF)
COPY	Copies a software product kit or converts it to another format
DELETE RECOVERY_DATA	Deletes one or more patch recovery data sets
EXTRACT FILE	Retrieves a specified file or files from a software product kit
EXTRACT PDF	Retrieves the product description file (PDF) from a software product kit
EXTRACT PTF	Retrieves the product text file (PTF) from a software product kit
EXTRACT RELEASE_NOTES	Retrieves the release notes from a software product kit
FIND	Displays the name of product kits found in a specified directory
INSTALL	Installs one or more software products and updates the product database
LIST	Lists the files contained in a software product kit
PACKAGE	Creates a software product kit in either sequential or reference format.
RECONFIGURE	Modifies the configuration of an installed product and updates the product database
REGISTER PRODUCT	Records information in the product database about one or more installed products that are not yet registered in the database
REGISTER VOLUME	Records a change in volume label in the product database
REMOVE	Uninstalls one or more software products and updates the product database
SHOW HISTORY	Displays in chronological order the operations performed on software products
SHOW OBJECT	Displays information about objects created during software product installation
SHOW PRODUCT	Displays information about installed products

POLYCENTER Software Installation Utility

3.3 PRODUCT Commands

Subcommand	Description
SHOW RECOVERY_DATA	Displays patch recovery data sets in chronological order
SHOW UTILITY	Displays version information about the POLYCENTER Software Installation utility
UNDO PATCH	Uninstalls one or more patches for which recovery data has been saved

POLYCENTER Software Installation Utility

CONFIGURE

CONFIGURE

Creates a product configuration file (PCF) for one or more products. Optionally uses the values in an existing PCF file to create the new PCF.

Format

PRODUCT CONFIGURE product-name[...] [/qualifiers]

Parameter

product-name

Names the product, or list of products, for which product configuration files will be generated.

Qualifiers

/BASE_SYSTEM=base-system-name

Selects software products whose base system matches the one specified. The base system name identifies both a hardware platform and an operating system. Standard names are:

Name	Description
AXPVMS	Denotes an OpenVMS Alpha product
I64VMS	Denotes an OpenVMS Industry Standard 64 product
VAXVMS	Denotes an OpenVMS VAX product
VMS	Indicates a product that can be installed on more than one OpenVMS platform

/CONFIGURATION=(keyword[,...])

Specifies how the configuration choices will be supplied. Keywords are:

CURRENT	This is the default. It uses values from the product database, which contains the current values recorded from the last time the product was installed or reconfigured.
PRODUCER	Uses values specified by the software manufacturer for this version of the product.
INPUT=pcf-name	Uses values from the specified product configuration file.
OUTPUT=pcf-name	Writes configuration choices to the specified product configuration file. If no file name is supplied, creates a file named DEFAULT.PCSI\$CONFIGURATION in the current default directory.

The keywords CURRENT, PRODUCER, and INPUT are mutually exclusive. Each of these, however, can be used with the keyword OUTPUT. If you specify only one keyword, you can omit the parentheses.

/HELP

/NOHELP (default)

Controls whether detailed explanations of product options and informational text are displayed. The first time you install a product, these explanations can help

POLYCENTER Software Installation Utility CONFIGURE

you decide which options to select. When you perform subsequent installations or upgrades, you might choose the brief explanations to save time.

When /NOHELP is selected, you can request a detailed explanation about a question by performing one of the following actions at the prompt:

- Press the Help key or PF2 key
- Type ? and press the Return key

/KIT_ATTRIBUTES=keyword([,...])

Selects kits by kit type or kit format, or both. Keywords are:

FORMAT= Designates the format of the product kit as follows:

format-type

COMPRESSED	Compressed format in which a data compression technique has been applied to a sequential kit. A compressed kit has a .PCSI\$COMPRESSED file type.
REFERENCE	Reference format in which product files exist in a directory tree. A .PCSI\$DESCRIPTION file in the top level of the directory tree denotes a reference kit.
SEQUENTIAL	Sequential format in which product files are placed in a container file. A file type of .PCSI indicates a sequential kit.

TYPE= Specifies the type of product kit as follows:

kit-type

FULL	Layered product (application) software.
OPERATING_ SYSTEM	Operating system software.
MANDATORY_ UPDATE	A required correction to currently installed software. Functionally, this type of kit is the same as a patch kit.
PARTIAL	An upgrade to currently installed software. Installation of this kit changes the version of the product.
PATCH	A correction to currently installed software. Installation of this kit does not change the version of the product.
PLATFORM	An integrated set of software products (also called a product suite).

/LOG

/NOLOG (default)

Displays the file specification of the configuration file that is created.

/OPTIONS=keyword

/NOOPTIONS (default)

Specifies PRODUCT command options. The keyword is:

POLYCENTER Software Installation Utility CONFIGURE

NOCONFIRM Omits the confirmation dialog that asks the user to verify the products that have been selected for the operation.

/PRODUCER=producer-name

Selects software products that the specified manufacturer produces.

/REMOTE

/NOREMOTE (default)

Selects the product database located on a privately mounted system disk. By default, this utility searches the currently booted system disk for the product database.

When you use /REMOTE, the following logical names must be defined:

- **PCSI\$SYSDEVICE** must specify the physical disk name of the target system disk. This disk must be mounted and allocated to the process executing the **PRODUCT** command.
- **PCSI\$SPECIFIC** must point to a system root on **PCSI\$SYSDEVICE**. It must be defined in the following form, where *x* is a valid system root:

```
PCSI$SYSDEVICE:[SYSx.]
```

/SOURCE=device-name:[directory-name]

Specifies the disk and directory where the utility searches for the software product kit or kits. If /SOURCE is not specified, the utility searches in the location defined by the logical name **PCSI\$SOURCE**. If **PCSI\$SOURCE** is not defined, and the /SOURCE qualifier is not specified, the POLYCENTER Software Installation utility searches the current default directory.

/SPAN_VERSIONS=keyword([,...])

Selects software products whose versions match the specified version criteria. The keywords are:

ABOVE=version	Selects versions greater than the version specified
BELOW=version	Selects versions less than the version specified
MINIMUM=version	Selects versions greater than or equal to the version specified
MAXIMUM=version	Selects versions less than or equal to the version specified

The **ABOVE**, **BELOW**, **MINIMUM**, and **MAXIMUM** keywords can be used alone or in combination. For example, **/SPAN_VERSIONS= (MINIMUM=V2.1, BELOW=V3.0)** selects versions greater than or equal to V2.1 and less than (but not including) V3.0. Using the **MAXIMUM** keyword instead of **BELOW** would select versions that include V3.0.

/VERSION=version-number

Selects software products that have the specified version.

Example

```
$ PRODUCT CONFIGURE EDITOR -  
_ $ /CONFIGURATION=(INPUT=EDITOR_REV1.PCF,OUTPUT=EDITOR_REV2.PCF)
```

The command in this example reads an existing PCF file named EDITOR_REV1.PCF for a product named EDITOR and then saves your changes in EDITOR_REV2.PCF.

COPY

Copies or converts one or more existing product kits that you specify to product kits in the format you request. For example, you can create a kit in reference format from a kit in sequential format, create a compressed kit from a kit in sequential format, or simply copy a kit to a new location without changing its format.

You cannot create a kit in compressed format directly from a kit in reference format. If you do not have a kit in sequential format, you must first use the **PRODUCT PACKAGE** command to create a sequential kit from the product materials. Then you can use the **PRODUCT COPY** command to convert it to compressed format.

Use the **/FORMAT** qualifier to determine the format of the product kits that you create. Use the **/KIT_ATTRIBUTES=FORMAT** qualifier to select kits of a particular format to be copied or converted.

Format

```
PRODUCT COPY product-name /DESTINATION=device-name:[directory-name]
              [/qualifiers]
```

Parameter

product-name

Names the product, or list of products, to copy.

Qualifiers

/BASE_SYSTEM=base-system-name

Selects software products whose base system matches the one specified. The base system name identifies both a hardware platform and an operating system. Standard names are:

Name	Description
AXPVMS	Denotes an OpenVMS Alpha product
I64VMS	Denotes an OpenVMS Industry Standard 64 product
VAXVMS	Denotes an OpenVMS VAX product
VMS	Indicates a product that can be installed on more than one OpenVMS platform

/DESTINATION=device-name:[directory-name]

Specifies a location where the utility will create the sequential or compressed kit. For a reference kit, specifies the top-level directory location where the utility will place files.

If you do not provide a device name, the default is the user's default device. If you omit the directory name, the default is the user's default directory.

The **PRODUCT COPY** operation ignores the **PCSI\$DESTINATION** logical name whether or not you use the **/DESTINATION** qualifier.

/FORMAT=keyword

Specifies the output format of the product kit. Keywords are:

COMPRESSED	Compressed format in which a data compression technique is applied to a sequential kit to produce a .PCSI\$COMPRESSED file, which is the compressed form of a sequential kit.
REFERENCE	Reference format in which product files are placed in a directory tree for direct access. The utility creates a product description file, with a file type of .PCSI\$DESCRIPTION, in the top level of the directory tree.
SEQUENTIAL	Sequential format in which product files are placed in a container file having a .PCSI file type.

The default is to preserve the format of the product kit. You must use this qualifier if you want to change the format of the product kit.

/KIT_ATTRIBUTES=keyword([,...])

Selects kits by kit type or kit format, or both. Keywords are:

FORMAT= Designates the format of the product kit as follows:
format-type

COMPRESSED	Compressed format in which a data compression technique has been applied to a sequential kit. A compressed kit has a .PCSI\$COMPRESSED file type.
REFERENCE	Reference format in which product files exist in a directory tree. A .PCSI\$DESCRIPTION file in the top level of the directory tree denotes a reference kit.
SEQUENTIAL	Sequential format in which product files are placed in a container file. A file type of .PCSI indicates a sequential kit.

POLYCENTER Software Installation Utility COPY

TYPE= kit-type	Specifies the type of product kit as follows:
FULL	Layered product (application) software.
OPERATING_ SYSTEM	Operating system software.
MANDATORY_ UPDATE	A required correction to currently installed software. Functionally, this type of kit is the same as a patch kit.
PARTIAL	An upgrade to currently installed software. Installation of this kit changes the version of the product.
PATCH	A correction to currently installed software. Installation of this kit does not change the version of the product.
PLATFORM	An integrated set of software products (also called a product suite).
TRANSITION	Used to register information about a product that is installed but not recorded in the product database (for example, a product installed by VMSINSTAL). This kit does not provide product material.

/LOG

/NOLOG (default)

Displays the file specification of the product kit file that is created and the files packaged in the kit.

/OPTIONS=keyword

/NOOPTIONS (default)

Specifies PRODUCT command options. The keyword is:

NOCONFIRM	Omits the confirmation dialog that asks the user to verify the products that have been selected for the operation.
-----------	--

/OWNER_UIC=uic

Specifies the owner user identification code (UIC) for files created during a copy operation. By default, the user executing the operation owns the software product files. For example, if you are logged in to your own account, you can use this qualifier during a copy operation to assign ownership of the product files to SYSTEM rather than to your own account. Specify the UIC in alphanumeric format (in the form [name]) or in octal group-member format (in the form [g,m]). UIC formats are described in the *OpenVMS User's Manual*.

/PRODUCER=producer-name

Selects software products that the specified manufacturer produces.

/SOURCE=device-name:[directory-name]

Specifies the disk and directory where the utility searches for the software product kit or kits. If /SOURCE is not specified, the utility searches in the location defined by the logical name PCSI\$SOURCE. If PCSI\$SOURCE is not defined, and the /SOURCE qualifier is not specified, the POLYCENTER Software Installation utility searches the current default directory.

/SPAN_VERSIONS=keyword([,...])

Selects software products whose versions match the specified version criteria.

The keywords are:

ABOVE=version	Selects versions greater than the version specified
BELOW=version	Selects versions less than the version specified
MINIMUM=version	Selects versions greater than or equal to the version specified
MAXIMUM=version	Selects versions less than or equal to the version specified

The ABOVE, BELOW, MINIMUM, and MAXIMUM keywords can be used alone or in combination. For example, /SPAN_VERSIONS= (MINIMUM=V2.1,BELOW=V3.0) selects versions greater than or equal to V2.1 and less than (but not including) V3.0. Using the MAXIMUM keyword instead of BELOW would select versions that include V3.0.

/VERSION=version-number

Selects software products that have the specified version.

Example

```
$ PRODUCT COPY ABC /SOURCE=[SHERMAN.ABC] -  
_ $ /DESTINATION=[KITS] /FORMAT=SEQUENTIAL
```

The command in this example converts product kit ABC, located in the [SHERMAN.ABC] directory on the user's default device, to a sequential copy in the [KITS] directory on the user's default device.

POLYCENTER Software Installation Utility

DELETE RECOVERY_DATA

DELETE RECOVERY_DATA

Deletes one or more patch recovery data sets in order of creation date, starting with the oldest one first. A recovery data set is created when a patch kit is successfully installed with the /SAVE_RECOVERY_DATA qualifier. Recovery data sets are used to uninstall patches when you use the PRODUCT UNDO PATCH command.

Note that once patch recovery data is deleted, you cannot uninstall any patch that is associated with this data. Installed patches are not affected when you use the PRODUCT DELETE RECOVERY_DATA command.

Format

```
PRODUCT DELETE RECOVERY_DATA [/qualifiers]
```

Parameters

None.

Qualifiers

/ALL (default)

Selects all patch recovery data sets to be deleted. The recovery data is deleted in the order it was created, starting with the oldest set first. If you omit this qualifier from the command line, the effect is the same as if you specified it.

/BEFORE=time

Selects patch recovery data sets created before the specified date and time. You can specify time as an absolute time, as a combination of absolute and delta times, or as one of the following keywords:

```
TODAY (default)
TOMORROW
YESTERDAY
```

Refer to the *OpenVMS User's Manual* for information about specifying time values.

/OPTIONS=keyword

/NOOPTIONS (default)

Specifies PRODUCT command options. The keyword is:

NOCONFIRM	Omits the confirmation dialog that asks the user to verify the recovery data sets that have been selected for processing.
-----------	---

/LOG

/NOLOG (default)

Displays the file specifications of the files within the recovery data sets that are being deleted.

/OLDEST=count

Specifies the number of oldest recovery data sets that you want to delete. For example, if you specify /OLDEST=2, the PRODUCT DELETE RECOVERY_DATA command deletes the two oldest recovery data sets. If you do not specify a number with this qualifier, the default value is 1.

POLYCENTER Software Installation Utility DELETE RECOVERY_DATA

/REMOTE

/NOREMOTE (default)

Selects recovery data sets located on a privately mounted system disk. By default, this utility searches the currently booted system disk for recovery data sets.

When you use /REMOTE, the following logical names must be defined:

- PCSI\$SYSDEVICE must specify the physical disk name of the target system disk. This disk must be mounted and allocated to the process executing the PRODUCT command.
- PCSI\$SPECIFIC must point to a system root on PCSI\$SYSDEVICE. It must be defined in the following form, where *x* is a valid system root:

```
PCSI$SYSDEVICE:[SYSx.]
```

Example

```
$ PRODUCT DELETE RECOVERY_DATA /OLDEST=2
```

The command in this example deletes the two oldest recovery data sets starting with the one that was created first, followed by next oldest recovery data set. If, for example, three patch recovery data sets are on the system disk, you still have one set preserved after this operation completes.

Remember that once a patch recovery data set is deleted, you cannot uninstall the patch kit associated with the deleted recovery data. The installed patch kits, however, are not affected by this action.

POLYCENTER Software Installation Utility

EXTRACT FILE

EXTRACT FILE

Retrieves a user-specified file or files from a software product kit. The original name of the file is preserved when it is extracted.

Format

PRODUCT EXTRACT FILE product-name[...] [/qualifiers]

Parameter

product-name

Names the product, or list of products, from whose kits the selected file or files are to be retrieved. This parameter is required.

Qualifiers

/BASE_SYSTEM=base-system-name

Selects software products whose base system matches the one specified. The base system name identifies both a hardware platform and an operating system. Standard names are:

Name	Description
AXPVMS	Denotes an OpenVMS Alpha product
I64VMS	Denotes an OpenVMS Industry Standard 64 product
VAXVMS	Denotes an OpenVMS VAX product
VMS	Indicates a product that can be installed on more than one OpenVMS platform

/DESTINATION=device-name:[directory-name]

Specifies the location where the utility is to place all the files that the user indicates are to be retrieved. If the device name is not provided, the default is the user's default device. If the directory name is omitted, or the /DESTINATION= qualifier is not specified, the default is the user's default directory. The EXTRACT FILE operation ignores the PCSI\$DESTINATION logical name whether or not you use the /DESTINATION qualifier.

/KIT_ATTRIBUTES=keyword([,...])

Selects kits by kit type or kit format, or both. Keywords are:

POLYCENTER Software Installation Utility EXTRACT FILE

FORMAT= format-type	Designates the format of the product kit as follows:
COMPRESSED	Compressed format in which a data compression technique has been applied to a sequential kit. A compressed kit has a .PCSI\$COMPRESSED file type.
REFERENCE	Reference format in which product files exist in a directory tree. A .PCSI\$DESCRIPTION file in the top level of the directory tree denotes a reference kit.
SEQUENTIAL	Sequential format in which product files are placed in a container file. A file type of .PCSI indicates a sequential kit.
TYPE= kit-type	Specifies the type of product kit as follows:
FULL	Layered product (application) software.
OPERATING_ SYSTEM	Operating system software.
MANDATORY_ UPDATE	A required correction to currently installed software. Functionally, this type of kit is the same as a patch kit.
PARTIAL	An upgrade to currently installed software. Installation of this kit changes the version of the product.
PATCH	A correction to currently installed software. Installation of this kit does not change the version of the product.
PLATFORM	An integrated set of software products (also called a product suite).
TRANSITION	Used to register information about a product that is installed but not recorded in the product database (for example, a product installed by VMSINSTAL). This kit does not provide product material.

/LOG

/NOLOG (default)

Displays the file specifications of the files that are extracted from the kit.

/OPTIONS=keyword

/NOOPTIONS (default)

Specifies PRODUCT command options. The keyword is:

NOCONFIRM	Omits the confirmation dialog that asks the user to verify the products that have been selected for the operation.
------------------	--

/PRODUCER=producer-name

Selects software products that the specified manufacturer produces.

POLYCENTER Software Installation Utility

EXTRACT FILE

/SELECT=filename[,...]

Specifies the name of a file, or a list of files, to be extracted from the specified product kit. You can use the asterisk (*) and the percent sign (%) wildcard characters for all or part of the file name. The file name can contain a directory specification that includes an ellipsis (...). If you omit this qualifier, all files will be extracted from the specified kit or kits.

/SOURCE=device-name:[directory-name]

Specifies the disk and directory where the utility searches for the software product kit or kits. If /SOURCE is not specified, the utility searches in the location that the logical name PCSI\$SOURCE defines. If PCSI\$SOURCE is not defined, and the /SOURCE qualifier is not specified, the POLYCENTER Software Installation utility searches the current default directory.

/SPAN_VERSIONS=keyword([,...])

Selects software products whose versions match the specified version criteria. The keywords are:

ABOVE=version	Selects versions greater than the version specified
BELOW=version	Selects versions less than the version specified
MINIMUM=version	Selects versions greater than or equal to the version specified
MAXIMUM=version	Selects versions less than or equal to the version specified

The ABOVE, BELOW, MINIMUM, and MAXIMUM keywords can be used alone or in combination. For example, /SPAN_VERSIONS= (MINIMUM=V2.1,BELOW=V3.0) selects versions greater than or equal to V2.1 and less than (but not including) V3.0. Using the MAXIMUM keyword instead of BELOW would select versions that include V3.0.

/VERSION=version-number

Selects software products that have the specified version.

Example

```
$ PRODUCT EXTRACT FILE TEST /SELECT=TEST.EXE /SOURCE=[AL]
```

In this example, the POLYCENTER Software Installation utility extracts the file TEST.EXE from the kit of the product TEST that is in the [AL] directory on the user's default disk. The extracted file TEST.EXE is placed in the user's current default directory.

EXTRACT PDF

Retrieves the product description file (PDF) from a software product kit. The file type of the extracted PDF file is .PCSI\$DESCRIPTION.

Format

PRODUCT EXTRACT PDF product-name[...] [/qualifiers]

Parameter

product-name

Names the product, or list of products, whose PDF file is to be retrieved from the kit.

Qualifiers

/BASE_SYSTEM=base-system-name

Selects software products whose base system matches the one specified. The base system name identifies both a hardware platform and an operating system. Standard names are:

Name	Description
AXPVMS	Denotes an OpenVMS Alpha product
I64VMS	Denotes an OpenVMS Industry Standard 64 product
VAXVMS	Denotes an OpenVMS VAX product
VMS	Indicates a product that can be installed on more than one OpenVMS platform

/DESTINATION=device-name:[directory-name]

Specifies the location where the utility is to place the extracted product description file (PDF). If the device name is not provided, the default is the user's default device. If the directory name is omitted, or the /DESTINATION= qualifier is not specified, the default is the user's default directory. The EXTRACT PDF operation ignores the PCSI\$DESTINATION logical name whether or not you use the /DESTINATION qualifier.

/KIT_ATTRIBUTES=keyword([,...])

Selects kits by kit type or kit format, or both. Keywords are:

POLYCENTER Software Installation Utility

EXTRACT PDF

FORMAT= format-type	Designates the format of the product kit as follows:
COMPRESSED	Compressed format in which a data compression technique has been applied to a sequential kit. A compressed kit has a .PCSI\$COMPRESSED file type.
REFERENCE	Reference format in which product files exist in a directory tree. A .PCSI\$DESCRIPTION file in the top level of the directory tree denotes a reference kit.
SEQUENTIAL	Sequential format in which product files are placed in a container file. A file type of .PCSI indicates a sequential kit.
TYPE= kit-type	Specifies the type of product kit as follows:
FULL	Layered product (application) software.
OPERATING_ SYSTEM	Operating system software.
MANDATORY_ UPDATE	A required correction to currently installed software. Functionally, this type of kit is the same as a patch kit.
PARTIAL	An upgrade to currently installed software. Installation of this kit changes the version of the product.
PATCH	A correction to currently installed software. Installation of this kit does not change the version of the product.
PLATFORM	An integrated set of software products (also called a product suite).
TRANSITION	Used to register information about a product that is installed but not recorded in the product database (for example, a product installed by VMSINSTAL). This kit does not provide product material.

/LOG

/NOLOG (default)

Displays the file specification of the product description file that is created.

/OPTIONS=keyword

/NOOPTIONS (default)

Specifies PRODUCT command options. The keyword is:

NOCONFIRM	Omits the confirmation dialog that asks the user to verify the products that have been selected for the operation.
-----------	--

/PRODUCER=producer-name

Selects software products that the specified manufacturer produces.

/SOURCE=device-name:[directory-name]

Specifies the disk and directory where the utility searches for the software product kit or kits. If /SOURCE is not specified, the utility searches in the location that the logical name PCSI\$SOURCE defines. If PCSI\$SOURCE is not defined, and the /SOURCE qualifier is not specified, the POLYCENTER Software Installation utility searches the current default directory.

/SPAN_VERSIONS=keyword([,...])

Selects software products whose versions match the specified version criteria. The keywords are:

ABOVE=version	Selects versions greater than the version specified
BELOW=version	Selects versions less than the version specified
MINIMUM=version	Selects versions greater than or equal to the version specified
MAXIMUM=version	Selects versions less than or equal to the version specified

The ABOVE, BELOW, MINIMUM, and MAXIMUM keywords can be used alone or in combination. For example, /SPAN_VERSIONS= (MINIMUM=V2.1,BELOW=V3.0) selects versions greater than or equal to V2.1 and less than (but not including) V3.0. Using the MAXIMUM keyword instead of BELOW would select versions that include V3.0.

/VERSION=version-number

Selects software products that have the specified version.

Example

```
$ PRODUCT EXTRACT PDF TEST /SOURCE=[AL]
```

In this example, the POLYCENTER Software Installation utility extracts the product description file (PDF) from the kit of the product TEST that is in the [AL] directory on the user's default disk and places it in the user's current default directory.

POLYCENTER Software Installation Utility

EXTRACT PTF

EXTRACT PTF

Retrieves the product text file (PTF) from a software product kit. The PTF file is stored in a product kit as a text library file. The file type of the extracted PTF is .PCSI\$TLB. In addition, a text file version of this text library file is created with a file type of .PCSI\$TEXT.

Format

PRODUCT EXTRACT PTF product-name[...] [/qualifiers]

Parameter

product-name

Names the product, or list of products, whose PTF file is to be retrieved from the kit.

Qualifiers

/BASE_SYSTEM=base-system-name

Selects software products whose base system matches the one specified. The base system name identifies both a hardware platform and an operating system. Standard names are:

Name	Description
AXPVMS	Denotes an OpenVMS Alpha product
I64VMS	Denotes an OpenVMS Industry Standard 64 product
VAXVMS	Denotes an OpenVMS VAX product
VMS	Indicates a product that can be installed on more than one OpenVMS platform

/DESTINATION=device-name:[directory-name]

Specifies the location where the utility is to place the extracted product text file (PTF). If the device name is not provided, the default is the user's default device. If the directory name is omitted, or the /DESTINATION= qualifier is not specified, the default is the user's default directory. The EXTRACT PTF operation ignores the PCSI\$DESTINATION logical name whether or not you use the /DESTINATION qualifier.

/KIT_ATTRIBUTES=keyword([,...])

Selects kits by kit type or kit format, or both. Keywords are:

POLYCENTER Software Installation Utility EXTRACT PTF

FORMAT= format-type	Designates the format of the product kit as follows:
COMPRESSED	Compressed format in which a data compression technique has been applied to a sequential kit. A compressed kit has a .PCSI\$COMPRESSED file type.
REFERENCE	Reference format in which product files exist in a directory tree. A .PCSI\$DESCRIPTION file in the top level of the directory tree denotes a reference kit.
SEQUENTIAL	Sequential format in which product files are placed in a container file. A file type of .PCSI indicates a sequential kit.
TYPE= kit-type	Specifies the type of product kit as follows:
FULL	Layered product (application) software.
OPERATING_ SYSTEM	Operating system software.
MANDATORY_ UPDATE	A required correction to currently installed software. Functionally, this type of kit is the same as a patch kit.
PARTIAL	An upgrade to currently installed software. Installation of this kit changes the version of the product.
PATCH	A correction to currently installed software. Installation of this kit does not change the version of the product.
PLATFORM	An integrated set of software products (also called a product suite).
TRANSITION	Used to register information about a product that is installed but not recorded in the product database (for example, a product installed by VMSINSTAL). This kit does not provide product material.

/LOG

/NOLOG (default)

Displays the file specifications of the product text and product text library files that are created.

/OPTIONS=keyword

/NOOPTIONS (default)

Specifies PRODUCT command options. The keyword is:

NOCONFIRM	Omits the confirmation dialog that asks the user to verify the products that have been selected for the operation.
-----------	--

/PRODUCER=producer-name

Selects software products that the specified manufacturer produces.

POLYCENTER Software Installation Utility EXTRACT PTF

/SOURCE=device-name:[directory-name]

Specifies the disk and directory where the utility searches for the software product kit or kits. If /SOURCE is not specified, the utility searches in the location that the logical name PCSI\$SOURCE defines. If PCSI\$SOURCE is not defined, and the /SOURCE qualifier is not specified, the POLYCENTER Software Installation utility searches the current default directory.

/SPAN_VERSIONS=keyword([,...])

Selects software products whose versions match the specified version criteria. The keywords are:

ABOVE=version	Selects versions greater than the version specified
BELOW=version	Selects versions less than the version specified
MINIMUM=version	Selects versions greater than or equal to the version specified
MAXIMUM=version	Selects versions less than or equal to the version specified

The ABOVE, BELOW, MINIMUM, and MAXIMUM keywords can be used alone or in combination. For example, /SPAN_VERSIONS= (MINIMUM=V2.1,BELOW=V3.0) selects versions greater than or equal to V2.1 and less than (but not including) V3.0. Using the MAXIMUM keyword instead of BELOW would select versions that include V3.0.

/VERSION=version-number

Selects software products that have the specified version.

Example

```
$ PRODUCT EXTRACT PTF TEST /SOURCE=[AL]
```

In this example, the POLYCENTER Software Installation utility extracts the product text file (PTF) from the kit of the product TEST that is in the [AL] directory on the user's default disk and places two files in the user's current default directory: the extracted text library file (.PCSI\$TLB) and a text file (.PCSI\$TEXT) created from the library.

EXTRACT RELEASE_NOTES

Retrieves the release notes for the selected product or group of products. The name of each release notes file is preserved unless you override it with the /FILE qualifier.

Format

PRODUCT EXTRACT RELEASE_NOTES product-name[...] [/qualifiers]

Parameter

product-name

Names the product, or list of products, from which to extract release notes.

Qualifiers

/BASE_SYSTEM=base-system-name

Selects software products whose base system matches the one specified. The base system name identifies both a hardware platform and an operating system. Standard names are:

Name	Description
AXPVMS	Denotes an OpenVMS Alpha product
I64VMS	Denotes an OpenVMS Industry Standard 64 product
VAXVMS	Denotes an OpenVMS VAX product
VMS	Indicates a product that can be installed on more than one OpenVMS platform

/FILE=filespec

Specifies the name of the output file that will contain the release notes. If no file name is given, the original name of the release notes file is preserved and the file is written to your default directory.

/KIT_ATTRIBUTES=keyword([,...])

Selects kits by kit type or kit format, or both. Keywords are:

FORMAT= format-type	Designates the format of the product kit as follows:
COMPRESSED	Compressed format in which a data compression technique has been applied to a sequential kit. A compressed kit has a .PCSI\$COMPRESSED file type.
REFERENCE	Reference format in which product files exist in a directory tree. A .PCSI\$DESCRIPTION file in the top level of the directory tree denotes a reference kit.
SEQUENTIAL	Sequential format in which product files are placed in a container file. A file type of .PCSI indicates a sequential kit.

POLYCENTER Software Installation Utility

EXTRACT RELEASE_NOTES

TYPE= kit-type	Specifies the type of product kit as follows:
FULL	Layered product (application) software.
OPERATING_ SYSTEM	Operating system software.
MANDATORY_ UPDATE	A required correction to currently installed software. Functionally, this type of kit is the same as a patch kit.
PARTIAL	An upgrade to currently installed software. Installation of this kit changes the version of the product.
PATCH	A correction to currently installed software. Installation of this kit does not change the version of the product.
PLATFORM	An integrated set of software products (also called a product suite).

/LOG

/NOLOG (default)

Displays the file specification of the release notes file that is created.

/OPTIONS=keyword

/NOOPTIONS (default)

Specifies PRODUCT command options. The keyword is:

NOCONFIRM	Omits the confirmation dialog that asks the user to verify the products that have been selected for the operation.
-----------	--

/PRODUCER=producer-name

Selects software products that the specified manufacturer produces.

/SOURCE=device-name:[directory-name]

Specifies the disk and directory where the utility searches for the software product kit or kits. If /SOURCE is not specified, the utility searches in the location that the logical name PCSI\$SOURCE defines. If PCSI\$SOURCE is not defined, and the /SOURCE qualifier is not specified, the POLYCENTER Software Installation utility searches the current default directory.

/SPAN_VERSIONS=keyword([,...])

Selects software products whose versions match the specified version criteria.

The keywords are:

ABOVE=version	Selects versions greater than the version specified
BELOW=version	Selects versions less than the version specified
MINIMUM=version	Selects versions greater than or equal to the version specified
MAXIMUM=version	Selects versions less than or equal to the version specified

The ABOVE, BELOW, MINIMUM, and MAXIMUM keywords can be used alone or in combination. For example, /SPAN_VERSIONS= (MINIMUM=V2.1,BELOW=V3.0) selects versions greater than or equal to V2.1 and less than (but not including) V3.0. Using the MAXIMUM keyword instead of BELOW would select versions that include V3.0.

POLYCENTER Software Installation Utility EXTRACT RELEASE_NOTES

/VERSION=version-number

Selects software products that have the specified version.

/WORK=device:[directory]

Specifies the name of the device and directory acting as a temporary work area. By default, temporary files are created in subdirectories of the user's login directory.

Example

```
$ PRODUCT EXTRACT RELEASE_NOTES XYZ /VERSION=2.3/FILE=[RN]XYZ.TXT
```

The command in this example places the release notes for Version 2.3 of the product XYZ in a file named [RN]XYZ.TXT on your current default device.

POLYCENTER Software Installation Utility

FIND

FIND

Displays the names of software product kits located in the specified directory, along with kit type and kit format information.

Format

PRODUCT FIND product-name[...] [/qualifiers]

Parameter

product-name

Names the product, or list of products to find.

Qualifiers

/BASE_SYSTEM=base-system-name

Selects software products whose base system matches the one specified. The base system name identifies both a hardware platform and an operating system. Standard names are:

Name	Description
AXPVMS	Denotes an OpenVMS Alpha product
I64VMS	Denotes an OpenVMS Industry Standard 64 product
VAXVMS	Denotes an OpenVMS VAX product
VMS	Indicates a product that can be installed on more than one OpenVMS platform

/FULL

/NOFULL (default)

Displays information in 132-column format. The /NOFULL qualifier displays a subset of available information in 80-column format.

/KIT_ATTRIBUTES=keyword([,...])

Selects kits by kit type or kit format, or both. Keywords are:

FORMAT=	Designates the format of the product kit as follows:
format-type	
COMPRESSED	Compressed format in which a data compression technique has been applied to a sequential kit. A compressed kit has a .PCSI\$COMPRESSED file type.
REFERENCE	Reference format in which product files exist in a directory tree. A .PCSI\$DESCRIPTION file in the top level of the directory tree denotes a reference kit.
SEQUENTIAL	Sequential format in which product files are placed in a container file. A file type of .PCSI indicates a sequential kit.

POLYCENTER Software Installation Utility FIND

TYPE= kit-type	Specifies the type of product kit as follows:
FULL	Layered product (application) software.
OPERATING_ SYSTEM	Operating system software.
MANDATORY_ UPDATE	A required correction to currently installed software. Functionally, this type of kit is the same as a patch kit.
PARTIAL	An upgrade to currently installed software. Installation of this kit changes the version of the product.
PATCH	A correction to currently installed software. Installation of this kit does not change the version of the product.
PLATFORM	An integrated set of software products (also called a product suite).
TRANSITION	Used to register information about a product that is installed but not recorded in the product database (for example, a product installed by VMSINSTAL). This kit does not provide product material.

/PRODUCER=producer-name

Selects software products that the specified manufacturer produces.

/SOURCE=device-name:[directory-name]

Specifies the disk and directory where the utility searches for the software product kit or kits. If /SOURCE is not specified, the utility searches in the location defined by the logical name PCSI\$SOURCE. If PCSI\$SOURCE is not defined, and the /SOURCE qualifier is not specified, the POLYCENTER Software Installation utility searches the current default directory.

/SPAN_VERSIONS=keyword([,...])

Selects software products whose versions match the specified version criteria. The keywords are:

ABOVE=version	Selects versions greater than the version specified
BELOW=version	Selects versions less than the version specified
MINIMUM=version	Selects versions greater than or equal to the version specified
MAXIMUM=version	Selects versions less than or equal to the version specified

The ABOVE, BELOW, MINIMUM, and MAXIMUM keywords can be used alone or in combination. For example, /SPAN_VERSIONS= (MINIMUM=V2.1,BELOW=V3.0) selects versions greater than or equal to V2.1 and less than (but not including) V3.0. Using the MAXIMUM keyword instead of BELOW would select versions that include V3.0.

/VERSION=version-number

Selects software products that have the specified version.

POLYCENTER Software Installation Utility

FIND

Example

```
$ PRODUCT FIND TEST* /BASE_SYSTEM=VAXVMS
```

The command in this example searches for all software product kits located in the user's default directory and displays the names of all versions of products whose names begin with "TEST" and are intended to be installed on OpenVMS VAX.

INSTALL

Installs one or more software products on your system and updates the product database. You can also use this command to install patch and mandatory update kits that modify previously installed products.

To uninstall complete products, including any patches or mandatory updates that might have been applied to them, use the `PRODUCT REMOVE` command.

To uninstall patches or mandatory updates while still retaining the original product that was installed, use the `PRODUCT UNDO PATCH` command.

However, to use this command, you must use the `/SAVE_RECOVERY_DATA` qualifier on the `PRODUCT INSTALL` command when you install these patches and mandatory updates.

Format

```
PRODUCT INSTALL product-name[...] [/qualifiers]
```

Parameter

product-name

Names the product, or list of products, to install.

Qualifiers

/BASE_SYSTEM=base-system-name

Selects software products whose base system matches the one specified. The base system name identifies both a hardware platform and an operating system. Standard names are:

Name	Description
AXPVMS	Denotes an OpenVMS Alpha product
I64VMS	Denotes an OpenVMS Industry Standard 64 product
VAXVMS	Denotes an OpenVMS VAX product
VMS	Indicates a product that can be installed on more than one OpenVMS platform

/CONFIGURATION=(keyword[,...])

Specifies how the configuration choices will be supplied. Keywords are:

CURRENT	This is the default. It uses values from the product database, which has the current values recorded from the last time the product was installed or reconfigured.
PRODUCER	Uses values specified by the software manufacturer for this version of the product.
INPUT=pcf-name	Uses values from the specified product configuration file.
OUTPUT=pcf-name	Writes configuration choices to the specified product configuration file. If no file name is supplied, creates a file named <code>DEFAULT.PCSI\$CONFIGURATION</code> .

The keywords `CURRENT`, `PRODUCER`, and `INPUT` are mutually exclusive. Each of these, however, can be used with the keyword `OUTPUT`. If you specify only one keyword, you can omit the parentheses.

POLYCENTER Software Installation Utility INSTALL

/DESTINATION=device-name:[directory-name]

Specifies a location where the utility will install software product files. If you omit the device name, the utility uses your current default device. If you omit the directory name, the utility uses the [VMS\$COMMON] directory as the default directory.

If you do not use this qualifier to specify a destination, the utility installs the software in the location defined by logical name PCSI\$DESTINATION. If this logical name is not defined, the utility installs the software in SYS\$SYSDEVICE:[VMS\$COMMON], the top-level directory for software product files.

/HELP

/NOHELP (default)

Controls whether detailed explanations of product options and informational text are displayed. The first time you install a product, these explanations can help you decide which options to select. When you perform subsequent installations or upgrades, you might choose the brief explanations to save time.

When /NOHELP is selected, you can request a detailed explanation about a question by performing one of the following actions at the prompt:

- Press the Help key or PF2 key
- Type ? and press the Return key

/KIT_ATTRIBUTES=keyword([,...])

Selects kits by kit type or kit format, or both. Keywords are:

FORMAT= format-type	Designates the format of the product kit as follows:
COMPRESSED	Compressed format in which a data compression technique has been applied to a sequential kit. A compressed kit has a .PCSI\$COMPRESSED file type.
REFERENCE	Reference format in which product files exist in a directory tree. A .PCSI\$DESCRIPTION file in the top level of the directory tree denotes a reference kit.
SEQUENTIAL	Sequential format in which product files are placed in a container file. A file type of .PCSI indicates a sequential kit.

POLYCENTER Software Installation Utility INSTALL

TYPE= kit-type	Specifies the type of product kit as follows:
FULL	Layered product (application) software.
OPERATING_ SYSTEM	Operating system software.
MANDATORY_ UPDATE	A required correction to currently installed software. Functionally, this type of kit is the same as a patch kit.
PARTIAL	An upgrade to currently installed software. Installation of this kit changes the version of the product.
PATCH	A correction to currently installed software. Installation of this kit does not change the version of the product.
PLATFORM	An integrated set of software products (also called a product suite).

/LOG

/NOLOG (default)

Displays the file specification of each file processed. When logging is enabled, messages notify you whenever product files, libraries, directories, temporary files, and product database files are created, deleted, or modified. Information about any file and module conflict resolution is also provided.

/OPTIONS=(keyword[,...])

/NOOPTIONS (default)

Specifies PRODUCT command options. Keywords are:

NOCONFIRM	Omits the confirmation dialog that asks the user to verify the products that have been selected for the operation.
SHOW_DISK_USAGE	Displays estimated disk block usage. Both peak utilization and net change are shown in addition to the amount of free space available before and after the operation.

/PRODUCER=producer-name

Selects software products that the specified manufacturer produces.

/RECOVERY_MODE

/NORECOVERY_MODE (default)

Allows you to perform product installation in recovery mode. When you use this qualifier, the directories, files, and modules that are modified, deleted, or removed in the installation process are saved in a directory tree on the system disk. These files, along with a copy of the product database, comprise the recovery data set.

The recovery data set is handled somewhat differently when an installation ends successfully or if it terminates, at some point, unsuccessfully.

- If an installation terminates in its execution phase, either voluntarily (by using Ctrl/Y or Ctrl/C) or involuntarily (because of a fatal error), the saved recovery data is used to roll back all the displaced objects in an attempt to reinstate the product environment prior to the interrupted operation. Then the recovery data set is deleted.

POLYCENTER Software Installation Utility INSTALL

- At the end of a successful installation of one or more full, platform, or partial kits, the recovery data set is automatically deleted.
- At the end of a successful installation of one or more patch or mandatory update kits, the recovery data set is automatically deleted unless you specify the `/SAVE RECOVERY_DATA` qualifier. This qualifier retains the recovery data set for possible future use with the `PRODUCT UNDO PATCH` command.

/REMARK=string

Records a comment in the product database about the task you are performing. The `PRODUCT SHOW HISTORY` command displays the recorded comments. For each product, the POLYCENTER Software Installation utility stores a chronological list of tasks you perform and the associated remarks. The default behavior is that no remark is recorded.

/REMOTE

/NOREMOTE (default)

Selects the product database located on a privately mounted system disk. By default, this utility searches the currently booted system disk for the product database.

This qualifier is primarily for use in command procedures that HP supplies. Incorrect use of this qualifier can create an inconsistency in the product database or cause subsequent `PRODUCT` commands to fail.

When you use `/REMOTE`, the following logical names must be defined:

- `PCSI$SYSDEVICE` must specify the physical disk name of the target system disk. This disk must be mounted and allocated to the process executing the `PRODUCT` command.
- `PCSI$SPECIFIC` must point to a system root on `PCSI$SYSDEVICE`. It must be defined in the following form, where *x* is a valid system root:

```
PCSI$SYSDEVICE:[SYSx.]
```

/SAVE_RECOVERY_DATA

/NOSAVE_RECOVERY_DATA (default)

This qualifier applies only to patch and mandatory update kit installation. It is ignored when other types of products are installed.

This qualifier causes all the directories, files, and modules that are modified, deleted, or removed in the process of installation to be saved in a directory tree on the system disk. These files, along with a copy of the product database, comprise the recovery data set. This recovery data set can be used later to uninstall patch and mandatory update kits by using the `PRODUCT UNDO PATCH` command.

Note that the `/SAVE_RECOVERY_DATA` qualifier automatically enables recovery mode operation even if you do not explicitly specify the `/RECOVERY_MODE` qualifier.

/SOURCE=device-name:[directory-name]

Specifies the disk and directory where the utility searches for the software product kit or kits. If `/SOURCE` is not specified, the utility searches in the location defined by the logical name `PCSI$SOURCE`. If `PCSI$SOURCE` is not defined, and the `/SOURCE` qualifier is not specified, the POLYCENTER Software Installation utility searches the current default directory.

POLYCENTER Software Installation Utility INSTALL

/SPAN_VERSIONS=keyword([,...])

Selects software products whose versions match the specified version criteria.

The keywords are:

ABOVE=version	Selects versions greater than the version specified
BELOW=version	Selects versions less than the version specified
MINIMUM=version	Selects versions greater than or equal to the version specified
MAXIMUM=version	Selects versions less than or equal to the version specified

The ABOVE, BELOW, MINIMUM, and MAXIMUM keywords can be used alone or in combination. For example, `/SPAN_VERSIONS= (MINIMUM=V2.1,BELOW=V3.0)` selects versions greater than or equal to V2.1 and less than (but not including) V3.0. Using the MAXIMUM keyword instead of BELOW would select versions that include V3.0.

/TEST (default)

/NOTEST

Requests that the POLYCENTER Software Installation utility run the installation verification procedure (IVP) for the product.

/TRACE

/NOTRACE (default)

Identifies DCL commands and command procedures that are run in a subprocess during the execution of the PRODUCT command. Any output from these commands is also displayed.

This qualifier is primarily a debugging aid for product developers to trace the execution of non-interactive command procedures embedded in their product kits. This qualifier is not useful for command procedures running in interactive mode. See the *POLYCENTER Software Installation Utility Developer's Guide* for more information.

/VERSION=version-number

Selects software products that have the specified version.

/WORK=device:[directory]

Specifies the name of the device and directory acting as a temporary work area. By default, temporary files are created in subdirectories of the user's login directory.

Example

```
$ PRODUCT INSTALL POSIX/VERSION=3.0 /CONFIGURATION=OUTPUT=POSIX.PCF
```

The command in this example installs POSIX Version 3.0 and creates a product configuration file.

POLYCENTER Software Installation Utility

LIST

LIST

Lists the names of the files contained in a software product kit. All files are listed unless you use the /SELECT qualifier to specify a subset of the files.

Format

```
PRODUCT LIST product-name[...] [/qualifiers]
```

Parameter

product-name

Names the product, or list of products, whose kit contents are to be listed. This parameter is required.

Qualifiers

/BASE_SYSTEM=base-system-name

Selects software products whose base system matches the one specified. The base system name identifies both a hardware platform and an operating system. Standard names are:

Name	Description
AXPVMS	Denotes an OpenVMS Alpha product
I64VMS	Denotes an OpenVMS Industry Standard 64 product
VAXVMS	Denotes an OpenVMS VAX product
VMS	Indicates a product that can be installed on more than one OpenVMS platform

/FULL

/NOFULL (default)

Displays information about files contained in the kit in 132-column format. The /FULL qualifier shows the name of each file, gives its size in blocks, and provides a comment field that can provide additional information—for example, the file is a product description file, a temporary file, or a module file that updates a library file. The /NOFULL qualifier displays only the name of each file in the kit in 80-column format.

/KIT_ATTRIBUTES=keyword([,...])

Selects kits by kit type or kit format, or both. Keywords are:

POLYCENTER Software Installation Utility LIST

FORMAT= format-type	Designates the format of the product kit as follows:
COMPRESSED	Compressed format in which a data compression technique has been applied to a sequential kit. A compressed kit has a .PCSI\$COMPRESSED file type.
REFERENCE	Reference format in which product files exist in a directory tree. A .PCSI\$DESCRIPTION file in the top level of the directory tree denotes a reference kit.
SEQUENTIAL	Sequential format in which product files are placed in a container file. A file type of .PCSI indicates a sequential kit.
TYPE= kit-type	Specifies the type of product kit as follows:
FULL	Layered product (application) software.
OPERATING_ SYSTEM	Operating system software.
MANDATORY_ UPDATE	A required correction to currently installed software. Functionally, this type of kit is the same as a patch kit.
PARTIAL	An upgrade to currently installed software. Installation of this kit changes the version of the product.
PATCH	A correction to currently installed software. Installation of this kit does not change the version of the product.
PLATFORM	An integrated set of software products (also called a product suite).
TRANSITION	Used to register information about a product that is installed but not recorded in the product database (for example, a product installed by VMSINSTAL). This kit does not provide product material.

/OPTIONS=keyword

/NOOPTIONS (default)

Specifies PRODUCT command options. The keyword is:

NOCONFIRM	Omits the confirmation dialog that asks the user to verify the products that have been selected for the operation.
------------------	--

/PRODUCER=producer-name

Selects software products that the specified manufacturer produces.

/SELECT=filename[,...]

Specifies the name of a file, or a list of files; these files are in the specified product kit. You can use the asterisk (*) and the percent sign (%) wildcard characters for all or part of the file name. The file name can contain a directory specification that includes an ellipsis (...).

POLYCENTER Software Installation Utility LIST

/SOURCE=device-name:[directory-name]

Specifies the disk and directory where the utility searches for the software product kit or kits. If /SOURCE is not specified, the utility searches in the location that the logical name PCSI\$SOURCE defines. If PCSI\$SOURCE is not defined, and the /SOURCE qualifier is not specified, the POLYCENTER Software Installation utility searches the current default directory.

/SPAN_VERSIONS=keyword([,...])

Selects software products whose versions match the specified version criteria. The keywords are:

ABOVE=version	Selects versions greater than the version specified
BELOW=version	Selects versions less than the version specified
MINIMUM=version	Selects versions greater than or equal to the version specified
MAXIMUM=version	Selects versions less than or equal to the version specified

The ABOVE, BELOW, MINIMUM, and MAXIMUM keywords can be used alone or in combination. For example, /SPAN_VERSIONS= (MINIMUM=V2.1,BELOW=V3.0) selects versions greater than or equal to V2.1 and less than (but not including) V3.0. Using the MAXIMUM keyword instead of BELOW would select versions that include V3.0.

/VERSION=version-number

Selects software products that have the specified version.

Example

```
$ PRODUCT LIST TEST /SELECT=TEST.* /SOURCE=[AL]
```

In this example, the POLYCENTER Software Installation utility lists all the files that match the selection criteria TEST.* from the kit of the product TEST that is in the [AL] directory on the user's default disk.

PACKAGE

Creates a software product kit. This operation uses a product description file (PDF) and an optional product text file (PTF) to produce a kit that contains the images and other files that make up the product.

During a package operation, the POLYCENTER Software Installation utility reformats the input PDF file to produce a new output PDF file. Comments are removed from the output PDF file and information, such as the size of each file, is added. The input PTF file is transformed into an output PTF in text library format.

The PRODUCT PACKAGE command can create a product kit in either sequential or reference format. To create a kit in compressed format, first use the PRODUCT PACKAGE command to create a kit in sequential format. Then use the PRODUCT COPY command to convert this sequential kit to a kit in compressed format.

The PRODUCT PACKAGE command requires the /SOURCE, /DESTINATION, and /MATERIAL qualifiers.

Format

```
PRODUCT PACKAGE product-name[...] [/qualifiers] /SOURCE=file-specification  
/DESTINATION=device-name:[directory-name]  
/MATERIAL=(path-name[...])
```

Parameter

product-name

Names the product or list of products to be packaged.

Qualifiers

/BASE_SYSTEM=base-system-name

Selects software products whose base system matches the one specified. The base system name identifies both a hardware platform and an operating system. Standard names are:

Name	Description
AXPVMS	Denotes an OpenVMS Alpha product
I64VMS	Denotes an OpenVMS Industry Standard 64 product
VAXVMS	Denotes an OpenVMS VAX product
VMS	Indicates a product that can be installed on more than one OpenVMS platform

/COPY(default)

/NOCOPY

Specifies whether you want the product material files and associated directories included in the product kit when you are producing a kit in reference format. The /NOCOPY qualifier can save file processing time when you are debugging a PDF file and do not need to produce a complete product kit.

The /NOCOPY and /FORMAT=SEQUENTIAL qualifiers are mutually exclusive.

POLYCENTER Software Installation Utility PACKAGE

/DESTINATION=device-name:[directory-name]

If **/FORMAT=SEQUENTIAL** is used, **/DESTINATION** specifies the directory where the utility creates the sequential kit. A sequential kit is a container file that includes the PDF, PTF, and all the images and other materials that make up the product. The file type of the sequential kit file is **.PCSI**.

If **/FORMAT=REFERENCE** is used (or defaulted), **/DESTINATION** specifies the directory where the utility creates the output PDF file and optional PTF file. The file types of the PDF and PTF files are **.PCSI\$DESCRIPTION** and **.PCSI\$TLB**, respectively. The images and other materials that make up the product are placed in a directory tree under this directory.

If the device name is not provided, it defaults to the user's default device. If the directory name is omitted, it defaults to the user's default directory.

The **PRODUCT PACKAGE** operation ignores the **PCSI\$DESTINATION** logical name whether or not you use the **/DESTINATION** qualifier.

/FORMAT=keyword

Specifies the output format of the product kit. Keywords are:

- | | |
|-------------------|---|
| REFERENCE | Reference format in which product files are placed in a directory tree for direct access. The utility creates a product description file, with a file type of .PCSI\$DESCRIPTION , in the top level of the directory tree. |
| SEQUENTIAL | Sequential format in which product files are placed in a container file having a .PCSI file type. |

The default is **/FORMAT=REFERENCE**.

You cannot use the **PRODUCT PACKAGE** command to create a kit in compressed format. Instead, use the **PRODUCT COPY** command to convert a kit in sequential format to a kit in compressed format.

/LOG

/NOLOG (default)

Displays the file specifications of the files that are packaged in the product kit and the name of the product kit file.

/OPTIONS=keyword

/NOOPTIONS (default)

Specifies **PRODUCT** command options. The keyword is:

- | | |
|------------------|--|
| NOCONFIRM | Omits the confirmation dialog that asks the user to verify the products that have been selected for the operation. |
|------------------|--|

/MATERIAL=(path-name[,...])

Specifies one or more locations in which the utility can search for product material files to include in the software product kit. Material files represent the output of the producer's software engineering process, that is, all files that make up the software product, including any command procedures that might be used during installation.

Note that the location of the PDF and PTF are not specified with the **/MATERIAL** qualifier. See the **/SOURCE** qualifier for more information.

POLYCENTER Software Installation Utility PACKAGE

This is a required qualifier for the PRODUCT PACKAGE command. Parentheses (()) are optional only when you specify a single path name. They are required when you specify multiple path names.

The format for path-name is: device-name:[directory-name]

You can specify path-name as a:

Specific directory	Only one directory is searched.
Root directory	A period (.) following the directory name indicates a root directory specification. For example, TEST\$:[ABC.FT2.] limits the search path to subdirectories of [ABC.FT2].
Wildcard directory	The directory name includes one or more of the wildcard characters asterisk (*), percent sign (%), or ellipsis (...). All directories that satisfy the wildcard specification are searched.

Note that when you use either a wildcard directory or a list of path names, if files in different directories have the same name, only the first file found in the search path is used.

When either a specific directory or a wildcard directory is used, the relative file specification on the file statement in the PDF file is not used to locate the file. However, when a root directory is used, the utility appends the relative file specification from the file statement in the PDF to the root directory in the material search path to locate files.

In general, use of a specific directory or a root directory is more efficient than using a wildcard directory. When packaging a product that contains hundreds of files, you might notice a significant difference in processing time, depending on the method you use to specify the path name. The choice of material path name does not affect the time required to install the kit.

/OWNER_UIC=uic

Specifies the owner user identification code (UIC) for files created during a copy operation. By default, the user executing the operation owns the software product files. For example, if you are logged in to your own account, you can use this qualifier during a copy operation to assign ownership of the product files to SYSTEM rather than to your own account. Specify the UIC in alphanumeric format (in the form [name]) or in octal group-member format (in the form [g,m]). UIC formats are described in the *OpenVMS User's Manual*.

/PRODUCER=producer-name

Selects software products that the specified manufacturer produces.

/SOURCE=file-specification

Specifies the location of the input PDF file. If the device name is omitted, it defaults to the user's default device. If the directory name is omitted, it defaults to the user's default directory. If the file name and file type components of the file specification are not provided, they default to <full-product-name>.PCSI\$DESCRIPTION.

The optional PTF file, if used, must be in the same directory and have the same file name as the PDF with a .PCSI\$TEXT file type. If a file named <full-product-name>.PCSI\$TEXT is not found, the package operation does not use a PTF file.

POLYCENTER Software Installation Utility PACKAGE

This is a required qualifier for the PRODUCT PACKAGE command. The logical name PCSI\$SOURCE is not used.

/VERSION=version-number

Selects software products that have the specified version.

Example

```
$ PRODUCT PACKAGE VIEWER -  
_ $ /PRODUCER=ABC /FORMAT=SEQUENTIAL/ LOG -  
_ $ /SOURCE=[JAMES.TEST.PDF] -  
_ $ /DESTINATION=DKA200:[PCSI_KITS] -  
_ $ /MATERIAL=BUILD$:[VIEWER0201.RESULT...]
```

The directory [JAMES.TEST.PDF] contains the PDF named ABC-AXPVMS-VIEWER-0201-1.PCSI\$DESCRIPTION. This file and the product material files from the BUILD\$:[VIEWER0201.RESULT...] directory tree are used to create the kit for product VIEWER. When the PACKAGE operation completes, a sequential kit named ABC-AXPVMS-VIEWER-0201-1.PCSI is created and placed in the DKA200:[PCSI_KITS] directory.

RECONFIGURE

Modifies the configuration of an installed product by allowing a user to change installation options.

Reconfiguration of a product might result in the addition or deletion of files, or both, depending on the user's selection or deselection of options; that is, users can select options that were not selected when the product was installed, or they can deselect options that were selected when the product was installed. At the conclusion of the operation, the product database is updated to reflect the changes.

Access to the original software product kit that was used to install the product is required to perform the reconfigure operation.

Format

PRODUCT RECONFIGURE product-name[,...] [/qualifiers]

Parameter

product-name

Names the product, or list of products, to reconfigure.

Qualifiers

/BASE_SYSTEM=base-system-name

Selects software products whose base system matches the one specified. The base system name identifies both a hardware platform and an operating system. Standard names are:

Name	Description
AXPVMS	Denotes an OpenVMS Alpha product
I64VMS	Denotes an OpenVMS Industry Standard 64 product
VAXVMS	Denotes an OpenVMS VAX product
VMS	Indicates a product that can be installed on more than one OpenVMS platform

/CONFIGURATION=(keyword[,...])

Specifies how the configuration choices will be supplied. Keywords are:

CURRENT	This is the default. It uses values from the product database, which has the current values recorded from the last time the product was installed or reconfigured.
PRODUCER	Uses values specified by the software manufacturer for this version of the product.
INPUT=pcf-name	Uses values from the specified product configuration file.
OUTPUT=pcf-name	Writes configuration choices to the specified product configuration file. If no file name is supplied, creates a file named DEFAULT.PCSI\$CONFIGURATION.

The keywords CURRENT, PRODUCER, and INPUT are mutually exclusive. Each of these, however, can be used with the keyword OUTPUT. If you specify only one keyword, you can omit the parentheses.

POLYCENTER Software Installation Utility

RECONFIGURE

/HELP

/NOHELP (default)

Controls whether detailed explanations of product options and informational text are displayed. The first time you install a product, these explanations can help you decide which options to select. When you perform subsequent installations or upgrades, you might choose the brief explanations to save time.

When /NOHELP is selected, you can request a detailed explanation about a question by performing one of the following actions at the prompt:

- Press the Help key or PF2 key
- Type ? and press the Return key

/KIT_ATTRIBUTES=keyword([,...])

Selects kits by kit type or kit format, or both. Keywords are:

FORMAT= format-type	Designates the format of the product kit as follows:
	COMPRESSED Compressed format in which a data compression technique has been applied to a sequential kit. A compressed kit has a .PCSI\$COMPRESSED file type.
	REFERENCE Reference format in which product files exist in a directory tree. A .PCSI\$DESCRIPTION file in the top level of the directory tree denotes a reference kit.
	SEQUENTIAL Sequential format in which product files are placed in a container file. A file type of .PCSI indicates a sequential kit.
TYPE= kit-type	Specifies the type of product kit as follows:
	FULL Layered product (application) software.
	OPERATING_ SYSTEM Operating system software.
	PARTIAL An upgrade to currently installed software. Installation of this kit changes the version of the product.
	PLATFORM An integrated set of software products (also called a product suite).

/LOG

/NOLOG (default)

Displays the file specification of each file processed. When logging is enabled, messages notify you whenever product files, libraries, directories, temporary files, and product database files are created, deleted, or modified. Information about any file and module conflict resolution is also provided.

/OPTIONS=(keyword[,...])

/NOOPTIONS (default)

Specifies PRODUCT command options. Keywords are:

POLYCENTER Software Installation Utility RECONFIGURE

NOCONFIRM	Omits the confirmation dialog that asks the user to verify the products that have been selected for the operation.
SHOW_DISK_USAGE	Displays estimated disk block usage. Both peak utilization and net change are shown in addition to the amount of free space available before and after the operation.

/PRODUCER=producer-name

Selects software products that the specified manufacturer produces.

/RECOVERY_MODE

/NORECOVERY_MODE (default)

Allows you to perform product reconfiguration in recovery mode. When you use this qualifier, the directories, files, and modules that are modified, deleted, or removed in the reconfiguration process are saved in a directory tree on the system disk. These files, along with a copy of the product database, comprise the recovery data set.

The recovery data set is handled somewhat differently when a reconfiguration ends successfully or if it terminates, at some point, unsuccessfully.

- If a reconfiguration terminates in its execution phase, either voluntarily (by using Ctrl/Y or Ctrl/C) or involuntarily (because of a fatal error), the saved recovery data is used to roll back all the displaced objects in an attempt to reinstate the product environment prior to the interrupted operation. Then the recovery data set is deleted.
- At the end of a successful reconfiguration, the recovery data set is automatically deleted.

/REMARK=string

Records a comment in the product database about the task you are performing. The PRODUCT SHOW HISTORY command displays the recorded comments. For each product, the POLYCENTER Software Installation utility stores a chronological list of tasks you perform and the associated remarks. The default behavior is that no remark is recorded.

/REMOTE

/NOREMOTE (default)

Selects the product database located on a privately mounted system disk. By default, this utility searches the currently booted system disk for the product database.

This qualifier is primarily for use in command procedures that HP supplies. Incorrect use of this qualifier can create an inconsistency in the product database or cause subsequent PRODUCT commands to fail.

When you use /REMOTE, the following logical names must be defined:

- PCSI\$SYSDEVICE must specify the physical disk name of the target system disk. This disk must be mounted and allocated to the process executing the PRODUCT command.
- PCSI\$SPECIFIC must point to a system root on PCSI\$SYSDEVICE. It must be defined in the following form, where *x* is a valid system root:

```
PCSI$SYSDEVICE:[SYSx.]
```

POLYCENTER Software Installation Utility RECONFIGURE

/SOURCE=device-name:[directory-name]

Specifies the disk and directory where the utility searches for the software product kit or kits. If /SOURCE is not specified, the utility searches in the location defined by the logical name PCSI\$SOURCE. If PCSI\$SOURCE is not defined, and the /SOURCE qualifier is not specified, the POLYCENTER Software Installation utility searches the current default directory.

/SPAN_VERSIONS=keyword([,...])

Selects software products whose versions match the specified version criteria. The keywords are:

ABOVE=version	Selects versions greater than the version specified
BELOW=version	Selects versions less than the version specified
MINIMUM=version	Selects versions greater than or equal to the version specified
MAXIMUM=version	Selects versions less than or equal to the version specified

The ABOVE, BELOW, MINIMUM, and MAXIMUM keywords can be used alone or in combination. For example, /SPAN_VERSIONS= (MINIMUM=V2.1,BELOW=V3.0) selects versions greater than or equal to V2.1 and less than (but not including) V3.0. Using the MAXIMUM keyword instead of BELOW would select versions that include V3.0.

/TRACE

/NOTRACE (default)

Identifies DCL commands and command procedures that are run in a subprocess during the execution of the PRODUCT command. Any output from these commands is also displayed.

This qualifier is primarily a debugging aid for product developers to trace the execution of non-interactive command procedures embedded in their product kits. This qualifier is not useful for command procedures running in interactive mode. See the *POLYCENTER Software Installation Utility Developer's Guide* for more information.

/VERSION=version-number

Selects software products that have the specified version.

/WORK=device:[directory]

Specifies the name of the device and directory acting as a temporary work area. By default, temporary files are created in subdirectories of the user's login directory.

Example

```
$ DEFINE PCSI$SOURCE DKA500:[DWMOTIF.KIT]
$ PRODUCT RECONFIGURE DWMOTIF /VERSION=V1.2-3
```

The command in this example enters into a dialog with the user to change the configuration options for the product DECwindows Motif Version 1.2-3.

REGISTER PRODUCT

Records information in the product database about one or more installed products that are not yet registered in the database.

You can use this command to add information to the product database about products that have been installed by a mechanism other than the POLYCENTER Software Installation utility, such as VMSINSTAL. Either a special transition kit or a complete product kit must be in the source directory to supply details about the product being registered.

You cannot register patch or mandatory update kits. The PRODUCT REGISTER PRODUCT command only updates the product database; it does not copy any files to your system.

If you do not have a kit available to provide detailed information about a product, you can use the command procedure SYS\$UPDATE:PCSI\$REGISTER_PRODUCT.COM to register the name of the product and its version, producer, and base system in the product database. After you register a product using the command procedure, other products can reference it, and the PRODUCT SHOW PRODUCT command displays it as an installed product.

Format

```
PRODUCT REGISTER PRODUCT product-name[...] [/qualifiers]
```

Parameter

product-name

Names the product, or list of products, to register.

Qualifiers

/BASE_SYSTEM=base-system-name

Selects software products whose base system matches the one specified. The base system name identifies both a hardware platform and an operating system. Standard names are:

Name	Description
AXPVMS	Denotes an OpenVMS Alpha product
I64VMS	Denotes an OpenVMS Industry Standard 64 product
VAXVMS	Denotes an OpenVMS VAX product
VMS	Indicates a product that can be installed on more than one OpenVMS platform

/DESTINATION=device-name:[directory-name]

Specifies the location where the installed product resides. If you omit the device name, the utility uses your current default device. If you omit the directory name, the utility uses the [VMS\$COMMON] directory as the default directory.

POLYCENTER Software Installation Utility REGISTER PRODUCT

If you do not use this qualifier to specify a destination, the utility uses the location defined by logical name PCSI\$DESTINATION. If this logical name is not defined, the utility uses the location SYS\$SYSDEVICE:[VMS\$COMMON], the top-level directory.

/KIT_ATTRIBUTES=keyword([,...])

Selects kits by kit type or kit format, or both. Keywords are:

FORMAT= format-type	Designates the format of the product kit as follows:
COMPRESSED	Compressed format in which a data compression technique has been applied to a sequential kit. A compressed kit has a .PCSI\$COMPRESSED file type.
REFERENCE	Reference format in which product files exist in a directory tree. A .PCSI\$DESCRIPTION file in the top level of the directory tree denotes a reference kit.
SEQUENTIAL	Sequential format in which product files are placed in a container file. A file type of .PCSI indicates a sequential kit.
TYPE= kit-type	Specifies the type of product kit as follows:
FULL	Layered product (application) software.
OPERATING_ SYSTEM	Operating system software.
PARTIAL	An upgrade to currently installed software. Installation of this kit changes the version of the product.
PLATFORM	An integrated set of software products (also called a product suite).
TRANSITION	Used to register information about a product that is installed but not recorded in the product database (for example, a product installed by VMSINSTAL). This kit does not provide product material.

/LOG

/NOLOG (default)

Displays the file specifications of the product database files that are created or modified.

/OPTIONS=keyword

/NOOPTIONS (default)

Specifies PRODUCT command options. The keyword is:

NOCONFIRM	Omits the confirmation dialog that asks the user to verify the products that have been selected for the operation.
-----------	--

/PRODUCER=producer-name

Selects software products that the specified manufacturer produces.

POLYCENTER Software Installation Utility REGISTER PRODUCT

/REMARK=string

Records a comment in the product database about the task you are performing. The PRODUCT SHOW HISTORY command displays the recorded comments. For each product, the POLYCENTER Software Installation utility stores a chronological list of tasks you perform and the associated remarks. The default behavior is that no remark is recorded.

/REMOTE

/NOREMOTE (default)

Selects the product database located on a privately mounted system disk. By default, this utility searches the currently booted system disk for the product database.

This qualifier is primarily for use in command procedures that HP supplies. Incorrect use of this qualifier can create an inconsistency in the product database or cause subsequent PRODUCT commands to fail.

When you use /REMOTE, the following logical names must be defined:

- PCSI\$SYSDEVICE must specify the physical disk name of the target system disk. This disk must be mounted and allocated to the process executing the PRODUCT command.
- PCSI\$SPECIFIC must point to a system root on PCSI\$SYSDEVICE. It must be defined in the following form, where *x* is a valid system root:

```
PCSI$SYSDEVICE:[SYSx.]
```

/SOURCE=device-name:[directory-name]

Specifies the disk and directory where the utility searches for the software product kit or kits. If /SOURCE is not specified, the utility searches in the location defined by the logical name PCSI\$SOURCE. If PCSI\$SOURCE is not defined, and the /SOURCE qualifier is not specified, the POLYCENTER Software Installation utility searches the current default directory.

/SPAN_VERSIONS=keyword([,...])

Selects software products whose versions match the specified version criteria. The keywords are:

ABOVE=version	Selects versions greater than the version specified
BELOW=version	Selects versions less than the version specified
MINIMUM=version	Selects versions greater than or equal to the version specified
MAXIMUM=version	Selects versions less than or equal to the version specified

The ABOVE, BELOW, MINIMUM, and MAXIMUM keywords can be used alone or in combination. For example, /SPAN_VERSIONS= (MINIMUM=V2.1,BELOW=V3.0) selects versions greater than or equal to V2.1 and less than (but not including) V3.0. Using the MAXIMUM keyword instead of BELOW would select versions that include V3.0.

/VERSION=version-number

Selects software products that have the specified version.

POLYCENTER Software Installation Utility REGISTER PRODUCT

Example

```
$ PRODUCT REGISTER PRODUCT TOOLCHEST /SOURCE=DKB500:[TOOLCHEST.KIT]
```

The command in this example registers the product TOOLCHEST in the product database. TOOLCHEST was installed by VMSINSTAL, and a special transition kit is in the source directory to supply details about the product.

REGISTER VOLUME

For a volume containing installed products, records a change in volume label in the product database.

For device independence, the product database identifies the destination device of an installed product by its logical volume name, not by its physical device name. The logical volume name (usually in the form DISK\$labelname) is defined by the MOUNT command and associated with the device.

You can check the logical volume name of a mounted device by issuing a command in the following format:

```
$ WRITE SYS$OUTPUT F$GETDVI("device","LOGVOLNAM")
```

When you use the SET VOLUME command to change the volume label of a nonsystem device that contains installed products, you must also use the PRODUCT REGISTER VOLUME command to update the product database with this information. Register the new volume label after you dismount and remount the volume so that the new logical volume name (DISK\$labelname) is defined.

If you change the volume label of the system device, you do not need to use the PRODUCT REGISTER VOLUME command because the POLYCENTER Software Installation utility automatically detects the change after the volume is remounted following a system reboot.

Format

```
PRODUCT REGISTER VOLUME old-volume-label device-name [/qualifiers]
```

Parameters

old-volume-label

Names the old (existing) volume label.

device-name

Names the device for which the volume label is to be changed in the product database.

Qualifiers

/LOG**/NOLOG (default)**

Displays the file specifications of the product database files that are created or modified.

/REMOTE**/NOREMOTE (default)**

Selects the product database located on a privately mounted system disk. By default, this utility searches the currently booted system disk for the product database.

This qualifier is primarily for use in command procedures that HP supplies. Incorrect use of this qualifier can create an inconsistency in the product database or cause subsequent PRODUCT commands to fail.

POLYCENTER Software Installation Utility

REGISTER VOLUME

When you use /REMOTE, the following logical names must be defined:

- PCSI\$SYSDEVICE must specify the physical disk name of the target system disk. This disk must be mounted and allocated to the process executing the PRODUCT command.
- PCSI\$SPECIFIC must point to a system root on PCSI\$SYSDEVICE. It must be defined in the following form, where *x* is a valid system root:

```
PCSI$SYSDEVICE:[SYSx.]
```

Example

```
$ PRODUCT REGISTER VOLUME AXPVMSV62 DKA0:
```

The command in this example replaces all occurrences of the old volume label in the POLYCENTER Software Installation utility database with the current volume label of the specified disk.

REMOVE

Uninstalls one or more software products from your system and updates the product database. This command operates on complete products. Any patches or mandatory updates that might have been applied to complete products are also removed.

To uninstall patches or mandatory updates while still retaining the original product that was installed, use the PRODUCT UNDO PATCH command.

Format

```
PRODUCT REMOVE product-name[...] [/qualifiers]
```

Parameter

product-name

Names the installed product or list of installed products to remove. Specify only the names of complete products, not the names of patches or mandatory updates applied to products.

Qualifiers

/BASE_SYSTEM=base-system-name

Selects software products whose base system matches the one specified. The base system name identifies both a hardware platform and an operating system. Standard names are:

Name	Description
AXPVMS	Denotes an OpenVMS Alpha product
I64VMS	Denotes an OpenVMS Industry Standard 64 product
VAXVMS	Denotes an OpenVMS VAX product
VMS	Indicates a product that can be installed on more than one OpenVMS platform

/LOG

/NOLOG (default)

Displays the file specification of each file processed. When logging is enabled, messages notify you whenever product files, libraries, directories, temporary files, and product database files are created, deleted, or modified.

/OPTIONS=(keyword[,...])

/NOOPTIONS (default)

Specifies PRODUCT command options. Keywords are:

NOCONFIRM	Omits the confirmation dialog that asks the user to verify the products that have been selected for the operation.
-----------	--

POLYCENTER Software Installation Utility REMOVE

SHOW_DISK_USAGE Displays estimated disk block usage. Both peak utilization and net change are shown in addition to the amount of free space available before and after the operation.

/PRODUCER=producer-name

Selects software products that the specified manufacturer produces.

/REMARK=string

Records a comment in the product database about the task you are performing. The **PRODUCT SHOW HISTORY** command displays the recorded comments. For each product, the POLYCENTER Software Installation utility stores a chronological list of tasks you perform and the associated remarks. The default behavior is that no remark is recorded.

/REMOTE

/NOREMOTE (default)

Selects the product database located on a privately mounted system disk. By default, this utility searches the currently booted system disk for the product database.

This qualifier is primarily for use in command procedures that HP supplies. Incorrect use of this qualifier can create an inconsistency in the product database or cause subsequent **PRODUCT** commands to fail.

When you use **/REMOTE**, the following logical names must be defined:

- **PCSI\$SYSDEVICE** must specify the physical disk name of the target system disk. This disk must be mounted and allocated to the process executing the **PRODUCT** command.
- **PCSI\$SPECIFIC** must point to a system root on **PCSI\$SYSDEVICE**. It must be defined in the following form, where *x* is a valid system root:

```
PCSI$SYSDEVICE:[SYSx.]
```

/TRACE

/NOTRACE (default)

Identifies DCL commands and command procedures that are run in a subprocess during the execution of the **PRODUCT** command. Any output from these commands is also displayed.

This qualifier is primarily a debugging aid for product developers to trace the execution of non-interactive command procedures embedded in their product kits. This qualifier is not useful for command procedures running in interactive mode. See the *POLYCENTER Software Installation Utility Developer's Guide* for more information.

/VERSION=version-number

Selects software products that have the specified version.

/WORK=device:[directory]

Specifies the name of the device and directory acting as a temporary work area. By default, temporary files are created in subdirectories of the the user's login directory.

Example

```
$ PRODUCT REMOVE FTAM
```

The command in this example uninstalls the product named FTAM and updates the product database to remove all information about the product.

POLYCENTER Software Installation Utility

SHOW HISTORY

SHOW HISTORY

Displays a chronological log of operations performed on the specified products.

Format

```
PRODUCT SHOW HISTORY product-name[...] [/qualifiers]
```

Parameter

product-name

Names the product or list of products to include in the display. This is an optional parameter. If you omit it, operations performed on all products will be shown.

Qualifiers

/BASE_SYSTEM=(base-system-name[,...])

Selects software products whose base system matches the one specified. The base system name identifies both a hardware platform and an operating system. Standard names are:

Name	Description
AXPVMS	Denotes an OpenVMS Alpha product
I64VMS	Denotes an OpenVMS Industry Standard 64 product
VAXVMS	Denotes an OpenVMS VAX product
VMS	Indicates a product that can be installed on more than one OpenVMS platform

Parentheses (()) are optional only when you specify a single base system name. They are required when you specify multiple base system names.

/BEFORE=time

Selects entries that were created before the specified date and time. You can specify time as an absolute time, as a combination of absolute and delta times, or as one of the following keywords:

TODAY (default)
TOMORROW
YESTERDAY

Refer to the *OpenVMS User's Manual* for information about specifying time values.

/FULL

/NOFULL (default)

Displays information in 132-column format. The /NOFULL qualifier displays a subset of available information in 80-column format.

/OPERATION=(keyword[,...])

Specifies one or more of the following operations as the value for keyword:

INSTALL
RECONFIGURE
REGISTER_PRODUCT
REGISTER_VOLUME

REMOVE

Parentheses (()) are optional only when you specify a single keyword. They are required when you specify multiple keywords.

/PRODUCER=(producer-name[,...])

Selects software products that the specified manufacturer produces.

Parentheses (()) are optional only when you specify a single producer name. They are required when you specify multiple producer names.

/REMOTE

/NOREMOTE (default)

Selects the product database located on a privately mounted system disk. By default, this utility searches the currently booted system disk for the product database.

When you use /REMOTE, the following logical names must be defined:

- PCSI\$SYSDEVICE must specify the physical disk name of the target system disk. This disk must be mounted and allocated to the process executing the PRODUCT command.
- PCSI\$SPECIFIC must point to a system root on PCSI\$SYSDEVICE. It must be defined in the following form, where *x* is a valid system root:

PCSI\$SYSDEVICE:[SYS*x*.]

/SINCE=time

Selects entries that were created on or after the specified date and time. You can specify time as an absolute time, as a combination of absolute and delta times, or as one of the following keywords:

TODAY (default)
YESTERDAY

Refer to the *OpenVMS User's Manual* for information about specifying time values.

/USER=(username[,...])

Displays information about the products installed, configured, or removed by the specified user.

Parentheses (()) are optional only when you specify a single user name. They are required when you specify multiple user names.

/VERSION=(version-number[,...])

Selects software products that have the specified version.

Parentheses (()) are optional only when you specify one version number. They are required when you specify more than one version number.

Example

```
$ PRODUCT SHOW HISTORY * /OPERATION=INSTALL /BEFORE=22-MAY-2002
```

The command in this example lists all the products that were installed before May 22, 2002.

POLYCENTER Software Installation Utility

SHOW OBJECT

SHOW OBJECT

Displays information about objects created during a software product installation. Examples of software objects are files, directories, and modules in libraries. The standard display lists the name, type, generation number, and status of each object. The expanded display, which you request by using the /FULL qualifier, includes the destination root directory and the product that owns the object.

Each file and library module object has an associated generation number, either explicit or implied. A generation number is an integer value in which the largest value in a comparison of generation numbers denotes the object that supersedes the others.

The product developer specifies generation numbers to aid the POLYCENTER Software Installation utility in resolving conflict on installation when two or more products or patch kits supply the same object. An explicit or implicit value of zero means no generation information has been supplied. A tie of non-zero generation numbers means the objects are identical and that an object from a product kit should replace a previously installed object. If all generation numbers in a comparison are zero, the conflict cannot be resolved.

Each object has an installation status. A status of “OK” means that the object is currently installed. A status of “Conflict” indicates that the object lost a generation comparison with an object of the same name supplied by another product or patch. This is not an error condition. “OK/Adopt” indicates that a product inherited the object from another product. This happens only when a product loses an object conflict to another product, and, subsequently, the other product is removed, causing the file or module on the system to be adopted by the surviving product.

Format

```
PRODUCT SHOW OBJECT object-name [/qualifiers]
```

Parameter

object-name

Names the object or list of objects to include in the display. This is an optional parameter. If you omit it, all objects for the selected products will be shown. You can use the asterisk (*) and the percent sign (%) wildcard characters to specify the object-name.

The name of a file object includes its directory specification relative to the destination root directory for the installed product. For example, a file placed in DISK\$ALPHA:[VMS\$COMMON.SYSEXEXE]TEST.EXE is identified in the product database as the file object [SYSEXEXE]TEST.EXE.

Qualifiers

/BASE_SYSTEM=(base-system-name[,...])

Selects software products whose base system matches the one specified. The base system name identifies both a hardware platform and an operating system. Standard names are:

POLYCENTER Software Installation Utility SHOW OBJECT

Name	Description
AXPVMS	Denotes an OpenVMS Alpha product
I64VMS	Denotes an OpenVMS Industry Standard 64 product
VAXVMS	Denotes an OpenVMS VAX product
VMS	Indicates a product that can be installed on more than one OpenVMS platform

Parentheses (()) are optional only when you specify a single base system name. They are required when you specify multiple base system names.

/FULL

/NOFULL (default)

Displays information in 132-column format. The /NOFULL qualifier displays a subset of available information in 80-column format.

/PRODUCER=(producer-name[,...])

Selects software products that the specified manufacturer produces.

Note that the PRODUCT SHOW HISTORY command allows you to specify both the /PRODUCER and /PRODUCT qualifiers, which you need to spell out because they are not unique within the first four characters.

Parentheses (()) are optional only when you specify a single producer name. They are required when you specify multiple producer names.

/PRODUCT=(product-name[,...])

Selects products with the specified product name.

Note that the PRODUCT SHOW HISTORY command allows you to specify both the /PRODUCER and /PRODUCT qualifiers, which you need to spell out because they are not unique within the first four characters.

Parentheses (()) are optional only when you specify a single product name. They are required when you specify multiple product names.

/REMOTE

/NOREMOTE (default)

Selects the product database located on a privately mounted system disk. By default, this utility searches the currently booted system disk for the product database.

When you use /REMOTE, the following logical names must be defined:

- PCSI\$SYSDEVICE must specify the physical disk name of the target system disk. This disk must be mounted and allocated to the process executing the PRODUCT command.
- PCSI\$SPECIFIC must point to a system root on PCSI\$SYSDEVICE. It must be defined in the following form, where *x* is a valid system root:

```
PCSI$SYSDEVICE:[SYSx.]
```

/VERSION=(version-number[,...])

Selects software products that have the specified version.

Parentheses (()) are optional only when you specify one version number. They are required when you specify more than one version number.

POLYCENTER Software Installation Utility

SHOW OBJECT

Example

```
$ PRODUCT SHOW OBJECT * /PRODUCT=ABC /FULL
```

The command in this example lists all objects such as files, directories, library modules, and other objects that were created when the product ABC was installed.

SHOW PRODUCT

Displays a list of software products installed on your system. Use the `/FULL` qualifier to display additional information such as kit type, maintenance activity, and software dependencies.

Format

```
PRODUCT SHOW PRODUCT product-name[...] [/qualifiers]
```

Parameter

product-name

Names the product or list of products to include in the display. This is an optional parameter. If you omit it, the names of all installed products will be shown.

Qualifiers

/BASE_SYSTEM=(base-system-name[,...])

Selects software products whose base system matches the one specified. The base system name identifies both a hardware platform and an operating system. Standard names are:

Name	Description
AXPVMS	Denotes an OpenVMS Alpha product
I64VMS	Denotes an OpenVMS Industry Standard 64 product
VAXVMS	Denotes an OpenVMS VAX product
VMS	Indicates a product that can be installed on more than one OpenVMS platform

Parentheses (()) are optional only when you specify a single base system name. They are required when you specify multiple base system names.

/FULL

/NOFULL (default)

Displays information in 132-column format. The `/NOFULL` qualifier displays a subset of available information in 80-column format.

/MAINTENANCE=(product-name[,...])

Displays the products to which the named maintenance products have been applied. A maintenance product is either a patch kit or a mandatory update kit.

Parentheses (()) are optional only when you specify a single product name. They are required when you specify multiple product names.

To list all maintenance products that have been applied to a particular product, use the following command:

```
PRODUCT SHOW PRODUCT product-name /FULL
```

/PRODUCER=(producer-name[,...])

Selects software products that the specified manufacturer produces.

Parentheses (()) are optional only when you specify a single producer name. They are required when you specify multiple producer names.

POLYCENTER Software Installation Utility

SHOW PRODUCT

/REFERENCED_BY=(product-name[,...])

Displays products that are referenced by the named product. Use this qualifier to show if the product, specified in the /REFERENCED_BY qualifier, has a software dependency on the product or products specified in the product-name parameter of the SHOW PRODUCT command. If you specify an asterisk (*) as the product name, all referenced products are listed for the product named in the /REFERENCED_BY qualifier.

Parentheses (()) are optional only when you specify a single product name. They are required when you specify multiple product names.

To list all products that require a specified product to be installed, use the command:

```
PRODUCT SHOW PRODUCT product-name /FULL /REFERENCED_BY=*
```

To list all products that are referenced by (that is, required by) a particular product, use the command:

```
PRODUCT SHOW PRODUCT * /REFERENCED_BY=product-name
```

To list all products that are referenced by (that is, required by) other products, use the command:

```
PRODUCT SHOW PRODUCT * /REFERENCED_BY=*
```

/REMOTE

/NOREMOTE (default)

Selects the product database located on a privately mounted system disk. By default, this utility searches the currently booted system disk for the product database.

When you use /REMOTE, the following logical names must be defined:

- PCSI\$SYSDEVICE must specify the physical disk name of the target system disk. This disk must be mounted and allocated to the process executing the PRODUCT command.
- PCSI\$SPECIFIC must point to a system root on PCSI\$SYSDEVICE. It must be defined in the following form, where *x* is a valid system root:

```
PCSI$SYSDEVICE:[SYSx.]
```

/SPAN_VERSIONS=keyword([,...])

Selects software products whose versions match the specified version criteria. The keywords are:

ABOVE=version	Selects versions greater than the version specified
BELOW=version	Selects versions less than the version specified
MINIMUM=version	Selects versions greater than or equal to the version specified
MAXIMUM=version	Selects versions less than or equal to the version specified

The ABOVE, BELOW, MINIMUM, and MAXIMUM keywords can be used alone or in combination. For example, /SPAN_VERSIONS= (MINIMUM=V2.1,BELOW=V3.0) selects versions greater than or equal to V2.1 and less than (but not including) V3.0. Using the MAXIMUM keyword instead of BELOW would select versions that include V3.0.

/VERSION=(version-number[,...])

Selects software products that have the specified version.

Parentheses (()) are optional only when you specify one version number. They are required when you specify more than one version number.

Example

```
$ PRODUCT SHOW PRODUCT * /REFERENCED_BY=DECNET_OSI
```

The command in this example lists all products on which the DECnet-Plus product is dependent.

POLYCENTER Software Installation Utility

SHOW RECOVERY_DATA

SHOW RECOVERY_DATA

Displays patch recovery data sets in chronological order, starting with the set created most recently and ending with the oldest one. Each recovery data set identifies one or more patches that can be uninstalled.

Format

```
PRODUCT SHOW RECOVERY_DATA [/qualifiers]
```

Parameters

None.

Qualifiers

/BEFORE=time

Selects recovery data sets created before the specified date and time. You can specify time as an absolute time, as a combination of absolute and delta times, or as one of the following keywords:

```
TODAY (default)
TOMORROW
YESTERDAY
```

Refer to the *OpenVMS User's Manual* for information about specifying time values.

/FULL

/NOFULL (default)

Displays information in 132-column format. The **/NOFULL** qualifier displays a subset of available information in 80-column format.

/LOG

/NOLOG (default)

Displays the file specifications of recovery data set files as they are accessed.

/NEWEST=count

Displays the most recently created patch recovery data sets. For example, if you specify **/NEWEST=2**, the **SHOW RECOVERY_DATA** command displays the two newest recovery data sets. If you do not specify a number with this qualifier, the default value is 1.

/OLDEST=count

Displays the oldest recovery data sets. For example, if you specify **/OLDEST=2**, the **SHOW RECOVERY_DATA** command displays the two oldest recovery data sets. If you do not specify a number with this qualifier, the default value is 1.

/REMOTE

/NOREMOTE (default)

Selects recovery data sets located on a privately mounted system disk. By default, this utility searches the currently booted system disk for recovery data sets.

POLYCENTER Software Installation Utility SHOW RECOVERY_DATA

When you use /REMOTE, the following logical names must be defined:

- PCSI\$SYSDEVICE must specify the physical disk name of the target system disk. This disk must be mounted and allocated to the process executing the PRODUCT command.
- PCSI\$SPECIFIC must point to a system root on PCSI\$SYSDEVICE. It must be defined in the following form, where *x* is a valid system root:

```
PCSI$SYSDEVICE:[SYSx.]
```

/SINCE=time

Selects recovery data sets that were created on or after the specified date and time. You can specify time as an absolute time, as a combination of absolute and delta times, or as one of the following keywords:

```
TODAY (default)  
YESTERDAY
```

Refer to the *OpenVMS User's Manual* for information about specifying time values.

Example

```
$ PRODUCT SHOW RECOVERY_DATA /SINCE=10-DEC-2002
```

The command in this example displays the recovery data sets created on or after December 10, 2002, starting with the one created most recently.

POLYCENTER Software Installation Utility

SHOW UTILITY

SHOW UTILITY

Displays the version of the POLYCENTER Software Installation utility that you are using.

Format

PRODUCT SHOW UTILITY

Parameters

None.

Qualifiers

None.

Example

```
$ PRODUCT SHOW UTILITY
POLYCENTER Software Installation utility version: V7.3-100
.
.
.
```

The command in this example shows the version of the utility that is executing the command.

UNDO PATCH

Uninstalls one or more patch or mandatory update kits from your system. The associated recovery data sets are deleted at the conclusion of the operation.

Note that you can perform this operation only if the patch or mandatory update kits were installed with the `/SAVE_RECOVERY_DATA` qualifier and if the saved recovery data is still available. You can verify that recovery data still exist by entering the `PRODUCT SHOW RECOVERY_DATA` command.

A recovery data set is created when you use the `PRODUCT INSTALL /SAVE_RECOVERY_DATA` command to install one or more patches (also known as ECOs or remedial kits). The `PRODUCT UNDO PATCH` command uninstalls all patches associated with the selected recovery data sets. Furthermore, you can “undo” patches only in the reverse chronological order of the creation dates of their recovery data sets.

To uninstall complete products, including any patches or mandatory updates that have been applied to them, use the `PRODUCT REMOVE` command.

Format

```
PRODUCT UNDO PATCH [/qualifiers]
```

Parameters

None.

Qualifiers

/ALL

Uninstalls all patch and mandatory updates for which recovery data has been saved. Once the operation completes, all the recovery data sets are deleted and cannot be reused. If you do not specify the `/ALL`, `/NEWEST`, or `/SINCE` qualifier, only the most recently created recovery data set is used to select patches and mandatory updates to uninstall.

/LOG

/NOLOG (default)

Displays the file specifications of files as they are accessed; also provides other information related to file activity. For example, when logging is enabled, messages notify you when product files, libraries, directories, temporary files, and product database files are created, deleted, or modified.

/NEWEST=count

Selects the most recently created patch recovery data sets. For example, if you specify `/NEWEST=3`, the `PRODUCT UNDO PATCH` command uninstalls patches using data from the three newest recovery data sets. If you do not specify a number with this qualifier, the default value is 1.

/OPTIONS=keyword

/NOOPTIONS (default)

Specifies `PRODUCT` command options. The keyword is:

POLYCENTER Software Installation Utility

UNDO PATCH

NOCONFIRM Omits the confirmation dialog that asks the user to verify the recovery data sets that have been selected for processing.

/REMOTE

/NOREMOTE (default)

Selects recovery data sets located on a privately mounted system disk. By default, this utility searches the currently booted system disk for recovery data sets. Also, the saved product database is restored to the privately mounted system disk.

When you use **/REMOTE**, the following logical names must be defined:

- **PCSI\$SYSDEVICE** must specify the physical disk name of the target system disk. This disk must be mounted and allocated to the process executing the **PRODUCT** command.
- **PCSI\$SPECIFIC** must point to a system root on **PCSI\$SYSDEVICE**. It must be defined in the following form, where *x* is a valid system root:

```
PCSI$SYSDEVICE:[SYSx.]
```

/SINCE=time

Selects recovery data sets that were created on or after the specified date and time. You can specify time as an absolute time, as a combination of absolute and delta times, or as one of the following keywords:

```
TODAY (default)  
YESTERDAY
```

Refer to the *OpenVMS User's Manual* for information about specifying time values.

/TRACE

/NOTRACE (default)

Identifies DCL commands and command procedures that are run in a subprocess during the execution of the **PRODUCT** command. Any output from these commands is also displayed.

This qualifier is primarily a debugging aid for product developers to trace the execution of non-interactive command procedures embedded in their product kits. This qualifier is not useful for command procedures running in interactive mode. See the *POLYCENTER Software Installation Utility Developer's Guide* for more information.

Example

```
$ PRODUCT UNDO PATCH
```

The command in this example uninstalls all patch and mandatory update kits that were installed in the last **INSTALL** operation performed with the **/SAVE_RECOVERY_DATA** qualifier. The recovery data set used in this operation is deleted at the end of the operation and cannot be reused.

SCA Control Program Utility

4.1 SCACP Description

The SCA Control Program (SCACP) utility is designed to monitor and manage cluster communications. It is derived from the Systems Communications Architecture (SCA), which defines the communications mechanisms that allow nodes in an OpenVMS Cluster system to cooperate.

SCA does the following:

- Governs the sharing of data between resources at the nodes
- Binds together System Applications (SYSAPs) that run on different Alpha and VAX computers

Historically, LAN cluster port information has been available only in the System Dump Analyzer (SDA) utility and by using the Availability Manager management tool. The ability to start and stop PEDRIVER on a LAN device was provided by SYS\$EXAMPLES:SYS\$LAVC_START_BUS.EXE and SYS\$LAVC_STOP_BUS.EXE. No way existed to prioritize use of LAN devices or individual channels.

SCACP provides an alternative method of collecting cluster management data and exercising management control over cluster communications. OpenVMS Version 7.3 introduced SCACP's ability to manage SCA use of LAN paths. Beginning with OpenVMS Version 7.3-1, you can use SCACP to manage all OpenVMS Cluster interconnects.

4.1.1 Terminology Related to SCACP

Definitions of terms that are related to SCACP are in the following sections.

4.1.1.1 SCS Ports and Circuits

SCA communications mechanisms between nodes are defined in terms of System Communications Services (SCS) ports and circuits:

- An **SCS port** is any device that provides SCA communications services.
- An **SCS circuit** is an SCS port layer connection that provides a standardized set of services using a reliable port-to-port communication connection between OpenVMS Cluster nodes.

After a circuit is formed between two ports, communication using the SCS services can be established between SYSAPs in the nodes. In a cluster, each port maintains a circuit with every other remote port.

Circuits provide the SCS layer with the following standardized SCS services:

- Datagram delivery
- Message delivery
- Block data read and write operations

Note

Some differences exist in the use of the terms *paths* and *circuits*:

- The SCA architecture specification and OpenVMS code use the term **paths** to refer to *circuits*.
- The SHOW CLUSTER utility and other OpenVMS utilities use the term **circuits** to refer to what SCA calls *paths*.

SCACP

4.1 SCACP Description

- SCACP follows the SHOW CLUSTER precedent and uses the term **circuits** as well.
-

4.1.1.2 Virtual Circuits

A **virtual circuit** (VC) is the interconnect-specific transport layer connection within a circuit that provides reliable port-to-port communication. In other words, VCs are the details of a circuit concerned with interconnect-specific reliable data delivery.

Circuits ensure the following:

- The delivery of messages without duplication or loss
- The sequential ordering of messages

The concepts of circuits and virtual circuits are so closely related that usually it has been unnecessary to differentiate between them because SHOW CLUSTER provides no visibility into the internal operation of a circuit. SCACP, however, makes the differentiation necessary by providing this internal visibility.

Beginning with OpenVMS Version 7.3, SCACP can be used to manage and display information about the VCs underlying the circuits between LAN ports. Because SCACP displays different types of information about circuits and VCs, its commands must differentiate between them.

LAN cluster communications create virtual circuits using the NI-SCA Transport Protocol to communicate over LAN hardware, providing datagram services.

4.1.1.3 LAN Channels

A **channel** is a logical communication path between two LAN devices. Each channel between two nodes is determined by a local-remote pair of devices and the connecting network. For example, two nodes, each having two LAN devices, can establish up to four channels. The messages that a particular virtual circuit carries can be sent over any of the channels connecting the two nodes.

The LAN cluster driver, PEDRIVER, builds reliable virtual circuits using channels that the LAN adapters (devices) and the network connections define. It then uses these VCs to provide circuits to SCS.

4.1.1.4 Channels and Virtual Circuits

The differences between channels and virtual circuits are the following:

- Channels are LAN paths providing datagram service.
- NI-SCA port-to-port virtual circuits are layered on channels and provide error-free paths between nodes.

Multiple channels can exist between nodes in an OpenVMS Cluster system, but only one LAN-based virtual circuit can exist between any two nodes at a time.

4.1.2 New Cluster SCA Circuit and Port Functionality

The following sections explain new functionality available for SCA circuits and ports and new support for SCS dynamic load class. In addition, you can independently enable or disable checksumming on individual PEDriver virtual circuits (VCs).

4.1.2.1 Ability to Set Port and Circuit Priorities

Beginning with OpenVMS Version 7.3-1, you can exercise management control over the circuits chosen to be used for SCS connections. This control allows you to override the automatic selection of the circuit with the highest load class value.

To override automatic circuit selection, assign a management priority value to a specific circuit or SCA port. (A circuit's current priority value is the sum of the local port's management-assigned priority and the management priority value assigned to that circuit.)

Connections are assigned to a circuit with the highest priority. If multiple circuits have the highest priority value, then the circuit with the highest load class is selected.

A change in a circuit's current priority has one of the following effects:

- If a circuit's new current priority value is higher than another circuit's current priority, the connection is moved to the circuit with the higher current priority.
- Similarly, if a circuit's new current priority value is lower than another circuit's current priority, the connection moves to the circuit with the highest current priority.

CIRCUIT MANAGEMENT PRIORITY IS VOLATILE

Whenever a circuit is closed, its management priority setting is lost. This is because the data structure containing information about a circuit is deallocated each time a circuit is closed. When a circuit is reopened, the structure is initialized with default values. Thus, circuit management priority does not propagate across VC closures.

4.1.2.2 Ability to Enable/Disable PEdriver Checksumming

You can use SCACP to enable or disable checksumming on a per-VC basis. For example, in a disaster tolerant cluster, you might want to enable only checksumming on VCs to nodes at the remote site to ensure that failure of a LAN device's checksumming function resulting in corrupted packets would not propagate to the remote site.

4.1.2.3 SCS Dynamic Load Class Support

Prior to OpenVMS Version 7.3-1, the load class of SCS circuits was determined only by the port's hard-coded load class value. As a result, CI or DSSI circuits were chosen over a GigaBit Ethernet circuit. Beginning with OpenVMS Version 7.3-1, PEdriver dynamically updates the load class value of its SCS circuits to reflect the performance of the underlying LAN path or paths currently in use.

If the circuits have the same priority, a change in a circuit's load class has one of the following effects:

- If a circuit's new load class value is higher than another circuit's current load class, the connection is moved to the higher load class circuit.
- Similarly, if a circuit's new load class value is lower than another circuit's load class, the connection moves to the circuit with the highest load class.

SCACP

4.1 SCACP Description

4.1.3 Managing Cluster Ports and Circuits

Beginning with V7.3-1, SCACP provides the ability to display information about one cluster interconnect's local ports and their circuits with remote ports.

SCACP port and circuit data is intended to provide the information necessary to exercise management control over ports and circuits. SCACP is not intended to replace the wealth of data that SHOW CLUSTER provides about ports and circuits. The SHOW CLUSTER and SCACP utilities are intended to be used together to manage cluster communications.

SCACP port and circuit data show the following:

- SCACP port data shows an overview of a particular port's characteristics.
- SCACP circuit data shows the characteristics and the status of SCS communications with other nodes in the cluster.

You can also manage cluster communications by assigning a priority value to individual ports or circuits. See the SET CIRCUIT and SET PORT command descriptions.

4.1.4 Managing LAN Cluster Ports

To manage LAN cluster ports, you can use common port and circuit commands. Additional commands exist for LAN port VCs, channels, and LAN devices on nodes in the cluster:

- VC data shows detailed internal information about the characteristics and operation of the NI-SCA transport layer connection underlying the circuit between the local and remote PEDRIVER ports.
- Channel data shows the characteristics of each LAN communications path and shows how suitable each channel is for use by the virtual circuit.
- LAN device data shows low-level local LAN device characteristics, counters, and errors.

SCACP allows you to set channel and LAN device priority. SCACP also allows you to start and stop PEDRIVER on LAN devices.

Using the PEDRIVER Event-Tracing Facility

The LAN cluster port driver, PEDRIVER, includes an **event-tracing** facility that collects a small amount of information for each defined event and saves it in a buffer associated with the virtual circuit or channel. (Any event not associated with a particular virtual circuit or channel is saved in a global PEDRIVER trace buffer.)

The event trace data is used when debugging, performing dump analysis, and looking at detailed aspects of PEDRIVER operation.

Note

The TRACE commands are reserved for use by OpenVMS Engineering and HP Services under OpenVMS Engineering direction only. Trace commands and output are subject to change from release to release.

4.1.5 Troubleshooting Cluster Communications

You can use SCACP to diagnose cluster communications problems. The appendix “Troubleshooting the NISCA Protocol” in *OpenVMS Cluster Systems* provides troubleshooting strategies to help cluster or network managers use SCACP and other tools to pinpoint network-related cluster communications problems.

4.1.6 Related Documents

For additional information on the topics covered in this chapter, refer to the following documents:

- *OpenVMS Cluster Systems*
- *Guidelines for OpenVMS Cluster Configurations*

4.2 SCACP Commands

SCACP commands are provided for the following types of functions:

- Display
- Port selection
- Circuit selection
- Channel operation and selection
- LAN device operation and selection
- Trace
- Miscellaneous: Help, Spawn, Execute, and Exit

The SCACP commands are shown in Table 4–1.

Table 4–1 SCACP Commands

Command	Function
SCACP Display Commands Qualifiers	
SHOW CHANNEL	Displays PEDRIVER channel information.
SHOW CIRCUIT (nodename)	Shows information about all circuits between this node and other cluster nodes, including LAN circuit information.
SHOW LAN_DEVICE	Displays PEDRIVER LAN device information.
SHOW PORT	Displays information about all SCA ports on the node, including the LAN port, PEA0.
SHOW VC	Displays PEDRIVER virtual circuit information.

(continued on next page)

SCACP

4.2 SCACP Commands

Table 4–1 (Cont.) SCACP Commands

Command	Function
SCACP Operation Commands	
SET CHANNEL	Allows a user to set PEDRIVER channel management options.
SET CIRCUIT	Allows a user to set a management priority value for the selected circuit or circuits.
SET PORT	Allows a user to set a management priority value for the selected port or ports.
SET VC	Allows a user to set PEDRIVER virtual channel options.
SCACP LAN Device Operation Commands	
SET LAN_DEVICE	Sets PEDRIVER LAN device management options.
START LAN_DEVICE	Starts PEDRIVER on the specified LAN devices.
STOP LAN_DEVICE	Stops PEDRIVER on the specified LAN devices.
SCACP Trace Commands	
<i>These commands are reserved for HP use only.</i>	
SET TRACE	Sets PEDRIVER event tracing options.
SHOW TRACE	Displays PEDRIVER event tracing information.
START TRACE	Displays PEDRIVER event tracing.
STOP TRACE	Stops PEDRIVER event tracing.
SCACP Miscellaneous Commands	
HELP	Displays help data.
SPAWN [command]	Spawns and executes a DCL command.
@filename	Executes command file.
EXIT	Exits SCACP.

4.3 SCACP Usage Summary

The SCA Control Program (SCACP) is a cluster management utility that performs certain privileged cluster communications management functions.

Format

```
RUN SYS$SYSTEM:SCACP
```

Parameters

None.

Description

To invoke SCACP, enter the following command at the DCL prompt:

```
$ RUN SYS$SYSTEM:SCACP
```

SCACP displays the following prompt, at which you can enter SCACP commands using the standard rules of DCL syntax:

```
SCACP>
```

To exit SCACP and return to the DCL command level, enter the EXIT command at the SCACP> prompt or press Ctrl/Z.

Note

OpenVMS Version 7.3 and later require SYS\$PRV privilege to issue SCACP commands.

SCACP also requires you to have the following privileges:

- A minimum of DISPLAY privilege is required to issue commands that display information or influence SCACP execution (that is, SHOW, HELP, SPAWN, EXIT, and so on.)
- SYS\$PRV privilege is required to issue commands that change cluster communications operations (that is, SET, START, and STOP).

Example

```
$ CREATE COUNT.COM  
SHOW LAN DEVICE/COUNTERS  
SPAWN WAIT 00:01:00  
@COUNT
```

```
Ctrl/Z
```

```
$ RUN SYS$SYSTEM:SCACP  
SCACP> @COUNT
```

This example creates and runs a command procedure, COUNT.COM, which displays device counters once a minute.

SCACP EXIT

EXIT

Stops execution of SCACP and returns control to the DCL command level. You can also enter Ctrl/Z at any time to exit.

Format

EXIT

Parameters

None.

Qualifiers

None.

Example

```
SCACP> EXIT  
$
```

This command stops execution of SCACP and returns control to the DCL command level.

HELP

Provides online help information about the SCACP utility.

Format

HELP [topic]

Parameter

topic

Specifies a subject for which you want information: SCACP command or command plus command keyword. If you enter the HELP command with a command name only, such as HELP SET, SCACP displays a list of all of the command keywords used with the SET command.

Qualifiers

None.

Example

```
SCACP> HELP SET TRACE
```

The HELP command in this example displays information about the SET TRACE command:

```

SET
  TRACE
    Sets or modifies PEDRIVER tracing parameters.
    Format
      SET TRACE
    Additional information available:
    Parameters Qualifiers
    /AFTER /DEFAULT /EVENT /EXCLUDE /LOCAL_DEVICE
    /REMOTE_DEVICE /STOP /SIZE
    Examples
    SET TRACE Subtopic?
  
```

SET CHANNEL

Sets CHANNEL management parameters, including priority values.

Note

If a LAN device is disabled for use by cluster communications, all channels associated with that device are deleted. This means that all management settings for the device and the channels will be deleted.

Format

SET CHANNEL nodename

Parameter

nodename[,...]

Includes channels to specific nodes, which you can use wildcards to specify. Each node name can be accompanied by optional qualifiers to specify local and remote device names. If no local or remote device name is specified, all channels to the specified node name are included.

Qualifiers

/EXCLUDE=(nodename[,...])

Excludes channels to specific nodes, which you can use wildcards to specify. Each node name can be accompanied by optional qualifiers to specify local and remote device names. If no local or remote device name is specified, all channels associated with the specified node are included.

/LOCAL_DEVICE=(landevicename[,...])

Specifies a LAN device that identifies the local end of the channel; you can use wildcards to specify LAN devices.

/PRIORITY=*n*

Sets the management priority value for channels to selected nodes. *n* can be a value between -127 and +127.

/REMOTE_DEVICE=(landevicename[,...])

Specifies a LAN device that identifies the remote end of the channel; you can use wildcards to specify LAN devices.

Usage Notes

- Use the SHOW CHANNEL command to display node names and local and remote device names.
- Use the SHOW LAN_DEVICE command to display device names.
- Use the SHOW LAN_DEVICE command on the remote node to display remote device names.

Examples

1. SCACP> SET CHANNEL/PRIORITY=3 NODE5

The command in this example sets the priorities of all channels to node NODE5 to 3.

2. SCACP> SET CHANNEL/LOCAL=EWA/REMOTE=EWB -
_SCACP> NODE10,NODE15/L=F*/R=F*,NODE20/PRIORITY=10

The command in this example is equivalent to the following command:

```
SET CHANNEL NODE10/L=EWA/R=EWB,NODE15/L=F*/R=F*,NODE20/L=*/R:*/PRIORITY=10
```

This command sets the priority of the following channels to 10:

- To node NODE10, the channel with local device EWA and remote device EWB
- To node NODE15, the channels with local LAN devices starting with F and remote LAN devices starting with F
- All channels to node NODE20

SCACP SET CIRCUIT

SET CIRCUIT

Sets the circuit management priority value.

Note

If a circuit is closed, it is deleted. This means that the management settings for that circuit are also deleted.

If the circuit is opened again, it has the default values for its management settings.

Format

SET CIRCUIT nodename

Parameter

nodename[,...]

Names a circuit or circuits to specific nodes, which you can use wildcards to specify. You can qualify each node name with additional parameters to uniquely identify a single circuit.

Qualifiers

/EXCLUDE=(nodename[/PORT=portname/RSTATION=n]][,...])

Allows you to exclude a specific circuit to a node. If multiple circuits to the same node exist, you can use the /PORT and /RSTATION qualifiers to uniquely identify the circuit.

/PORT=portname[/RSTATION=n]

If multiple circuits to the same node exist, you can use the /PORT and /RSTATION qualifiers to uniquely identify the circuit. You can use the /RSTATION qualifier only in conjunction with the /PORT qualifier.

/PRIORITY=n

Sets the management priority value for the selected circuits. *n* can be a value between -127 and +127.

Example

```
SCACP> SET CIRCUIT CLUI01 /PORT=PIB0 /PRI=10
```

The command in this example sets the priority of the circuit to node CLUI01 through PIB0 to 10. You need to use the /PORT qualifier if multiple circuits to node CLUI01 exist and only the circuit through PIB0 is meant to have its priority raised.

SET LAN_DEVICE

Sets device management priority parameter

Format

SET LAN_DEVICE landevicename

Parameter

landevicename[...]

Includes specific LAN devices, which you can use wildcards to specify.

Usage Note

- Use the /EXCLUDE qualifier to exclude LAN devices.
- Use the SHOW LAN_DEVICE command to display device names.

Qualifiers

/EXCLUDE=(landevicename1[,...])

Excludes one or more specific LAN devices, which you can use wildcards to specify.

/PRIORITY=n

Sets the management priority value for the selected devices. *n* can be any value between -127 and +127.

Usage Note

Use the SHOW LAN_DEVICE command to display device names.

Example

```
SCACP> SET LAN_DEVICE/PRIORITY=3 EWA
```

The command in this example sets the management priority for device EWA to 3.

SCACP SET PORT

SET PORT

Sets a port management priority value.

Format

```
SET PORT portname
```

Parameter

portname[,...]

Specifies SCA port names, in which you can include wildcards.

Qualifiers

/EXCLUDE=(portname[,...])

Excludes specific ports from the operation.

/PRIORITY=*n*

Sets the management priority value for the selected ports. *n* can be any value between -127 and +127.

Usage Notes

- To display all ports available on your system, use the SHOW PORT command.
- Use the /EXCLUDE qualifier to exclude specific ports.

Examples

1. SCACP> SET PORT PEA0/PRIORITY=5

The command in this example sets the management priority for the PEA0 port to 5.

2. SCACP> SET PORT PEA0 /PRIORITY=5 /EXCLUDE=PEA0

The command in this example sets all ports with the exception of PEA0 to a management priority of 5.

SET TRACE

SET TRACE sets or modifies PEDRIVER tracing parameters.

Note

This command is reserved for use by HP Services and OpenVMS Engineering only. Trace commands and output are subject to change from release to release.

Format

SET TRACE nodename

Parameter

nodename[,...]

Includes channels and VCs to specific nodes, which you can use wildcards to specify. Each node name can be accompanied by optional qualifiers to specify local and remote device names. If no local or remote device name is specified, all channels associated with the specified node are included, as well as the VC to the specified node.

Qualifiers

/AFTER=*n*

After the trace stop condition has been satisfied, continue tracing for *n* events, and then stop. If you do not specify /AFTER, tracing does not continue after the trace stop event. *n* can be any value between 0 and FFFFFFFF.

/DEFAULT

Sets the trace context back to the default settings, which are:

```
trace all channels and VCs
/AFTER=0
/EVENT=default settings
/STOP
/SIZE=512
```

/EVENT=(event1[,...])

Enables tracing on specific events, which you can use wildcards to specify. The default is a subset of the events, which includes most errors and state changes when the system parameter SYSTEM_CHECK is set to 0. The default is “all events included” when SYSTEM_CHECK is set to 1.

/EXCLUDE=(nodename[/LOCAL_DEVICE=landevicename] [/REMOTEDEVICE=landevicename][,...])

Excludes VCs or channels, or both, to specific nodes, which you can use wildcards to specify. Each node name can be accompanied by optional qualifiers to specify local and remote device names. If no local or remote device name is specified, the VC and all channels associated with the specified node are excluded.

/LOCAL_DEVICE=(landevicename[,...])

Includes specific LAN devices that identify the local end of the channel. You can use wildcards to specify LAN devices.

SCACP SET TRACE

/REMOTE_DEVICE=(landvicename[,...])

Includes specific LAN devices that identify the remote end of the channel; you can use wildcards to specify LAN devices.

/STOP=(event1[,...])

Stops tracing on specific events, which you can use wildcards to specify. The default is “no events included.”

/SIZE=n

Specifies a trace buffer size of *n* bytes to be used by PEDRIVER for each trace buffer: one for global PEDRIVER use, one for each selected channel, and one for each selected VC. *n* can be any value between 0 and FFFFFFFF.

Usage Notes

- Use the SHOW CHANNEL command to display node names and local and remote device names.
- Use the SHOW TRACE/CONTEXT command to display event names.
- Use the SHOW LAN_DEVICE command to display device names.
- Use the SHOW TRACE/CONTEXT command to display event names.

Examples

1. SCACP> SET TRACE/EVENT=CC_STATE/SIZE=1000

The command in this example specifies that the trace buffers for each channel, VC, and the global buffer each be 1000 bytes in length.

2. SCACP> SET TRACE/EVENT=* NODE10/LOCAL=EWA,NODE20

The command in this example specifies that all events are to be recorded; when applicable to a particular node, however, only channels and VCs to nodes NODE10 and NODE20 are to be included.

3. SCACP> SET TRACE/EVENT=(ALL,NOTIMER) NODE10

The command in this example specifies that all events except timer events on node NODE10 are to be included.

4. SCACP> SET TRACE/LOCAL=EWA/REMOTE=EWB NODE10,NODE15/L=F*/R=F*,NODE20

The command in this example is equivalent to the following command:

```
SET TRACE NODE10/L=EWA/R=EWB,NODE15/L=F*/R=F*,NODE20/L=EWA/R:EWB
```

The command in the example sets tracing on the following channels:

- On node NODE10, channels with local device EWA and remote device EWB
- On node NODE15, channels with local LAN device starting with F and remote LAN device starting with F
- On node NODE20, channels with local LAN device EWA and remote LAN device EWB

SET VC

Sets VC management parameters: checksumming values.

Format

SET VC nodename

Parameter

nodename[,...]

Includes VCs to specific nodes, which you can use wildcards to specify.

Usage Notes

- Use the /EXCLUDE qualifier to exclude VCs to specific nodes.
- Use the SHOW CHANNEL or SHOW VC commands to display VC names, which are simply the names of remote nodes.

Qualifiers

/CHECKSUMMING/

NOCHECKSUMMING (default)

Enables or disables checksum verification on the selected VCs to specified nodes.

You can use this command alone or in combination with the system parameter NISCS_PORT_SERV. (Refer to online help for NISCS_POST_SERV for more information.)

VC CLOSURE SIDE-EFFECT

When you enable or disable checksumming on a circuit, the circuit closes briefly and then reopens using the specified operating mode. This is necessary to ensure that both ends of the circuit are synchronized.

Because the SET VC/CHECKSUMMING setting is not valid beyond the life of the system, you might want to include SET VC/CHECKSUMMING commands in your startup file, or reissue these commands at the next boot.

/EXCLUDE=(nodename[,...])

Excludes VCs to specific nodes, which you can use wildcards to specify.

Example

```
SCACP> SET VC/CHECKSUMMING NODE10,NODE20
```

The command in this example enables checksum verification of VCs to nodes NODE10 and NODE20.

SCACP SHOW CHANNEL

SHOW CHANNEL

Displays PEDRIVER channel information for specific nodes. Each channel is a single NISCA communications path between a LAN device on a local system and a LAN device on a remote system.

Usage Note

Use the SHOW CHANNEL command to display node names and local and remote device names.

Format

```
SHOW CHANNEL  nodename
```

Parameter

nodename[,...]

Includes channels to specific nodes, which you can use wildcards to specify. Each node name can be accompanied by optional qualifiers to specify local and remote device names. If no local or remote device name is specified, all channels associated with the specified node name are included.

Qualifiers

/ALL

Includes all channel data.

/COUNTERS

Includes channel counters data.

/ECS

/NOECS

Includes only channels that are (or are not) members of the ECS.

/EXCLUDE=(nodename[,...])

Excludes channels to specific nodes, which you can use wildcards to specify.

Each node name can be accompanied by optional qualifiers to specify local and remote device names. If no local or remote device name is specified, all channels associated with the specified node are included.

/INTERVAL

For the /COUNTERS display, displays the changes to counters since the last SHOW command.

/LOCAL_DEVICE=(landevicename[,...])

Includes specific LAN devices that identify the local end of the channel; you can use wildcards to specify LAN devices.

/n

Displays the *n*th page. To select a particular page of a multipage display, specify the number of the page you want to display.

/OUTPUT=filespec

Creates the specified file and directs output to it.

SCACP SHOW CHANNEL

/REMOTE_DEVICE=(landvicename[,...])

Includes specific LAN devices that identify the remote end of the channel; you can use wildcards to specify LAN devices.

/SDA

Includes channel data displayed in SDA format, with all the data collected in one display for one channel.

/SUMMARY

Includes channel summary data. This is the default if /ALL, /COUNTERS, and /SDA qualifiers are not specified.

Usage Note

Use the SHOW LAN_DEVICE command to display device names.

Examples

1. SCACP> SHOW CHANNEL

The command in this example produces output similar to the following:

AFFC6 PEA0 Channel Summary 19-AUG-2003 08:53:11.80:

Remote Node	LAN Loc	Dev Rmt	Channel State	Total Errors	ECS State	Priority Cur	Mgt	Hops	Buffer Size	Delay (uSec)	Load Class	Total Pkts(S+R)	---- Most Recent... CH	Opened Time...
AFFC5	EWA	EWA	Open	2	N(T,I,F)	0	0	2	1426	249.9	10	1043542	12-AUG	08:59:52.40
AFFC5	EBA	EBA	Open	2	Y(T,P,F)	0	0	2	7268	18722.7	30000	1343885	12-AUG	08:59:51.37
AFFC6	LCL	LCL	Open	1	Y(T,P,F)	0	0	2	1426	241.0	0	1038822	12-AUG	08:58:41.67

2. SCACP> SHOW CHANNEL/ALL

In addition to channel summary information, the command in this example produces output similar to the following:

```

.
.
.
AFFC6 PEA0 Channel Miscellaneous 19-AUG-2003 08:53:24.61:

```

Remote Node	-- LAN Device --	Local LAN Address	Remote LAN Address	Cur	Neg	Mgt	Loc	Rmt	... Buffer Size ...
AFFC5	EWA DE450	EWA DE450	AA-00-04-00-3F-4D	08-00-2B-C3-1F-C8	1426	1426	8120	1426	1426
AFFC5	EBA SMLAN	EBA SMLAN	AA-00-04-00-3F-4D	00-00-00-00-02-00	7268	7268	8120	7268	7268
AFFC6	LCL	LCL	00-00-00-00-00-00	00-00-00-00-00-00	1426	1426	8120	1426	1426

AFFC6 PEA0 Channel Equivalent Channel Set (ECS) 19-AUG-2003 08:53:24.61:

Remote Node	LAN Loc	Dev Rmt	ECS State	ECS Losses	ECS Transitions	Average RTTime	Remote Ring Size	Remote Rcv Cache	Rsvp Thresh	Channel... Open Time...
AFFC5	EWA	EWA	N(T,I,F)	0	2	249.1	16	31	2	23:53:32.20
AFFC5	EBA	EBA	Y(T,P,F)	0	3	18650.9	15	31	0	23:53:33.23
AFFC6	LCL	LCL	Y(T,P,F)	0	1	241.0	8	31	1	23:54:42.93

AFFC6 PEA0 Channel Counters and Errors 19-AUG-2003 08:53:24.61:

Remote Node	LAN Loc	Dev Rmt	-- Transmit -- Messages	Bytes	-- Receive -- Messages	Bytes	Xmt:Rexmit	Rexmit Errors	TransmitFail Penalties	Receive... Errors ...
AFFC5	EWA	EWA	392983	40871612	650580	67661700	392983	1	0	0
AFFC5	EBA	EBA	542506	40213388	801402	67138651	542506	1	0	0
AFFC6	LCL	LCL	393036	40877022	645808	67165310	Infinite	0	0	0

AFFC6 PEA0 Channel Errors 19-AUG-2003 08:53:24.61:

SCACP

SHOW CHANNEL

Remote Node	LAN Loc	Dev Rmt	Receive						-- Timeouts --		No MSCP Server	Disk Not... Served ...
			Bad	Auth	Bad ECO	Bad MCA	Short	Incompat	Old Chan	Handshake		
AFFC5	EWA	EWA	0	0	0	0	0	0	0	0	0	0
AFFC5	EBA	EBA	0	0	0	0	0	0	0	0	0	0
AFFC6	LCL	LCL	0	0	0	0	0	0	0	0	0	0

3. SCACP> SHOW CHANNEL NODE20/LOCAL=EWA

The command in this example displays channel definition data for all nodes defined with local device EWA and any remote device and remote node name starting with NODE20.

4. SCACP> SHOW CHANNEL/COUNTERS/INTERVAL
SCACP> SPAWN WAIT 0:0:10
SCACP> SHOW CHANNEL/COUNTERS/INTERVAL

The first command in this example displays channel counters since the last SHOW command. The SPAWN command tells the DCL WAIT command to insert a 10-second delay. The second SHOW CHANNEL command displays counters after the 10-second period.

5. SCACP> SHOW CHANNEL/1/3

The command in this example displays the first and third pages of data for all channels. The first page contains Channel Summary data, and the third page contains Channel Equivalent Channel Set (ECS) data.

6. SCACP> SHOW CHANNEL/LOCAL=EWA/REMOTE=EWB NODE10,
NODE15/L=F*/R=F*, NODE20

The command in this example is equivalent to the following command:

```
SHOW CHANNEL NODE10/L=EWA/R=EWB, NODE15/L=F*/R=F*, NODE20/L=EWA/R:EWB
```

This command shows the following channels:

- To node NODE10, the channel with local device EWA and remote device EWB
- To node NODE15, the channel with local LAN device starting with F and remote LAN device starting with F
- To node NODE20, the channel with local LAN device EWA and remote LAN device EWB

SHOW CIRCUIT

Displays SCA circuit information. You can further qualify each node name you specify with additional parameters to uniquely identify a single circuit.

Format

SHOW CIRCUIT nodename

Parameter

nodename[,...]

Includes specific circuits to individual nodes, which you can use wildcards to specify.

Qualifiers

/EXCLUDE=(nodename[/PORT=portname[/RSTATION=n]][,...])

Allows you to exclude a specific circuit to a node. If multiple circuits to the same node exist, you can use the /PORT and /RSTATION qualifiers to uniquely identify the circuit.

/PORT=portname[/RSTATION=n]

If multiple circuits to the same node exist, you can use the /PORT and /RSTATION qualifiers to uniquely identify the circuit. You can use the /RSTATION qualifier only in conjunction with the /PORT qualifier.

Example

SCACP>SHOW CIRCUIT

The command in this example displays all circuits to nodes over port PEA0.

Circuit data for CLUI02 at 07-DEC 11:55:31.80

Node Name	Port Name	Priority Cur	Priority Mgt	Load Class	Load State	Remote Station	Remote Type
LYNX03	PEA0	0	0	10	Open	dc	NI
CLUI01	PEA0	0	0	10	Open	dd	NI
PRMMC2	PEA0	0	0	10	Open	de	NI
RXBOT1	PIB0	5	0	48	Open	4	RF72
RXTOP1	PIB0	5	0	48	Open	1	RF73
RXTOP0	PIB0	5	0	48	Open	0	RF73
CLUI01	PIB0	5	0	48	Open	7	N710
R4JC3I	PIC0	5	0	48	Open	7	RF73
R4HLEK	PIC0	5	0	48	Open	5	RF73
R4XEWB	PIC0	5	0	48	Open	3	RF73
R4A1FN	PIC0	5	0	48	Open	2	RF73
R4XSVE	PIC0	5	0	48	Open	4	RF73
R4VLNI	PIC0	5	0	48	Open	1	RF73

SCACP>SHOW CIRCUIT * /PORT=PEA0

The command in this example displays all circuits to all nodes.

SCACP SHOW CIRCUIT

Circuit data for CLUI02 at 07-DEC 12:42:23.03

Node Name	Port Name	State	Priority		Load Class	Remote_Port	
			Cur	Mgt		Number	Type
LYNX03	PEA0	Open	0	0	100	dc	NI
LYNX03	PNA0	Open	0	0	140	1	CI
CLUI01	PEA0	Open	0	0	10	dd	NI
PRMMC2	PEA0	Open	0	0	10	de	NI

SHOW LAN_DEVICE

Displays PEDRIVER device data. Each device is a local LAN device on the system, which can be used for NISCA communications.

Format

SHOW LAN_DEVICE landevicename

Parameter

landevicename[,...]

Includes specific LAN devices, which you can use wildcards to specify.

Usage Notes

- Use the /EXCLUDE qualifier to exclude LAN devices.
- Use the SHOW LAN_DEVICE command to display device names.

Qualifiers

/ALL

Includes all device data.

/COUNTERS

Includes device counters data maintained by PEDRIVER and counters data maintained by the LAN drivers.

/EXCLUDE=(landevicename[,...])

Excludes specific LAN devices, which you can use wildcards to specify.

/INTERVAL

For the /COUNTERS display, displays the changes to counters since the last SHOW command.

/n

Displays the *n*th page. To select a particular page of a multipage display, specify the number of the page you want to display.

/OUTPUT=filespec

Creates the specified file and directs output to it.

/SDA

Includes LAN device data displayed in SDA format, with all the data collected in one display for one LAN device.

/SUMMARY

Includes device summary data. This is the default if /ALL, /COUNTERS, and /SDA qualifiers are not specified.

SCACP

SHOW LAN_DEVICE

Examples

1. SCACP> SHOW LAN_DEVICE

The command in this example produces output similar to the following:

SYS999 PEA0 Device Summary 31-JAN-2001 10:58:57.93:

Device	Type	Errors + Events	Status	Mgt Priority	Buffer Size	MgtMax BufSiz	Line Speed	Total Pkts(S+R)	Current LAN Address
LCL		0	Run Online Local Restart	0	1426	0	N/A	46456	00-00-00-00-00-00
FWA	DEFPA	847806	Run Online Restart	0	4396	0	100	0	08-00-2B-B9-1A-2C
EWA	DE500	0	Run Online Restart	-123	1426	0	10	228538	AA-00-04-00-62-4D
EWB	DEGPA	1204	Run Online Restart	0	7460	0	1000	63188	00-60-6D-21-12-1E

2. SCACP> SHOW LAN_DEVICE/ALL

The command in this example produces output similar to the following:

SYS999 PEA0 Device Summary 31-JAN-2001 10:59:00.88:

Device	Type	Errors + Events	Status	Mgt Priority	Buffer Size	MgtMax BufSiz	Line Speed	Total Pkts(S+R)	Current LAN Address
LCL		0	Run Online Local Restart	0	1426	0	N/A	46456	00-00-00-00-00-00
FWA	DEFPA	847806	Run Online Restart	0	4396	0	100	0	08-00-2B-B9-1A-2C
EWA	DE500	0	Run Online Restart	-123	1426	0	10	228538	AA-00-04-00-62-4D
EWB	DEGPA	1204	Run Online Restart	0	7460	0	1000	63188	00-60-6D-21-12-1E

SYS999 PEA0 Device Counters and Errors 31-JAN-2001 10:59:00.88:

Device	Messages	Bytes	Errors	Messages	Bytes	Errors	Port Usable	Port Down	Addr Change	Restart Failed	*Last Event Time
LCL	77926	10131658	0	77926	9196546	0	1*	0	0	0	30-JAN 14:53:04.27
EBA	79932	10771395	0	79828	9471857	0	1*	0	0	0	30-JAN 14:53:04.27
EWA	95170718	951046392	0	90389699	824505995	0	1	0	1*	0	30-JAN 14:53:54.96
EWB	28515398	3596974072	0	31235328	1573461656	0	1	0	1*	0	30-JAN 14:53:56.96
ELA	288523549	3938187772	0	268398349	1991472896	0	1*	0	0	0	30-JAN 14:53:04.38

SYS999 PEA0 Device Errors 31-JAN-2001 10:59:00.88:

Device	Generic Errors	Transmit Errors	Generic Hello Errors	Last Transmit Error	With Bad SYSTEMID	Mcst Message	TR	Short CC	Short DX	On Wrong Port	Discard PortDisa	Allocation Failures CH	On VC
LCL	0	0	0	(No time)	0	0	0	0	0	0	0	0	0
EBA	0	0	0	(No time)	0	0	0	0	0	0	0	0	0
EWA	0	0	0	(No time)	0	0	0	0	0	0	0	0	0
EWB	0	0	0	(No time)	0	0	0	0	0	0	0	0	0
ELA	0	0	0	(No time)	0	0	0	0	0	0	0	0	0

SYS999 LAN Counters and Errors 31-JAN-2001 10:59:00.88:

Device	Packets	Bytes	Errors	Packets	Bytes	Errors	Buffer System	Unavailable User	Unrecognized Individual	Unrecognized Multicast	Events
LCL	0	0	0	0	0	0	0	0	0	0	0
EBA	80172	10808778	0	80068	10786180	0	0	0	0	240	0
EWA	95170964	214548983411	0	90390818	185699326463	0	0	0	0	1119	0
EWB	28520511	14930703525	0	31255260	18836142478	0	0	0	1697	1653	0
ELA	288523791	655074988675	0	268399522	415695135533	0	0	0	0	1173	0

3. SCACP> SHOW LAN_DEVICE/COUNTERS

The command in this example displays device counters.

4. SCACP> SHOW LAN_DEVICE/COUNTERS/INTERVAL
SCACP> SPAWN WAIT 0:0:10
SCACP> SHOW LAN_DEVICE/COUNTERS/INTERVAL

The first command in this example displays device counters since the last SHOW command. The SPAWN command tells the DCL WAIT command to insert a 10-second delay. The second SHOW command displays counters after the 10-second period.

SCACP SHOW PORT

SHOW PORT

Displays information about selected SCA ports.

Format

SHOW PORT portname

Parameter

portname[,...]

Displays information about specific SCA ports, which you can use wildcards to specify. If no portname is specified, all ports on the node are displayed.

Qualifiers

/EXCLUDE=(portname[,...])

Excludes specific port names from the display. You cannot use wildcards to specify port names.

/OUTPUT=filespec

Creates the specified file and directs the output of the command to this file.

Example

SCACP> SHOW PORT

The command in this example produces output similar to the following:

Port data for AFFC6 at 19-AUG 09:05:52.84

Port Name	Mgt Prio	Load Class	Msgs Sent	Msgs Rcvd	DGs Sent	DGs Rcvd
PEA0	0	10	0	227053	0	0
PBA1	0	32767	414250	328271	0	0

SHOW TRACE

Displays PEDRIVER tracing data and parameters.

Note

This command is reserved for use by HP Services and OpenVMS Engineering only. Trace commands and output are subject to change from release to release.

Format

SHOW TRACE nodename

Parameter

nodename[,...]

Includes channels to specific nodes, which you can use wildcards to specify.

Each node name can be accompanied by optional qualifiers to specify local and remote device names. If no local or remote device name is specified, all channels associated with the specified node are included.

To display node names and local and remote device names, use the SHOW CHANNEL command.

Qualifiers

/CONTEXT

Displays only PEDRIVER trace settings and the event definition. If this qualifier is not included, trace event data is displayed.

/EVENT=(event1[,...])

Enables tracing on specific events, which you can use wildcards to specify. The default is all of the events that are in the trace buffer.

/EXCLUDE[=(nodename[,...])

Excludes channels to specific nodes, which you can use wildcards to specify.

Each node name can be accompanied by optional qualifiers to specify local and remote device names. If no local or remote device name is specified, all channels associated with the specified node are included.

/GLOBAL (default when no nodes are specified)

/NOGLOBAL (default when nodes are specified)

Specifies whether global trace data is to be returned.

/INPUT=filename

Reads trace data from the specified file and displays it.

/LOCAL_DEVICE=(landevicename[,...])

Includes specific LAN devices that identify the local end of the channel; you can use wildcards to specify LAN devices.

SCACP SHOW TRACE

/OUTPUT=filename

Creates the specified file and directs output to it. If the filename extension is .DMP, the trace data is written to a dump file so that you can use the /INPUT qualifier to display it later.

/REMOTE_DEVICE=(landevicename[,...])

Includes specific LAN devices which identify the remote end of the channel, which you can use wildcards to specify.

/SORT

/NOSORT (default)

Returns trace data sorted across channels, VCs, and the global trace buffer by sequence number. The default is trace data returned for channels and VCs one at a time, in order, for the channel or VC, but not across channels and VCs.

Usage Notes

- Use the SHOW TRACE/CONTEXT command to display event names.
- Use the SHOW LAN_DEVICE command to display device names.

Examples

1. SCACP> SHOW TRACE

The command in this example produces output similar to the following:

SYS999 Trace Results 31-JAN-2001 10:59:24.81

EntryTimeStamp	Sequence	VC/Channel	State/Status	Addl Data	Event/SubType
53850998.232793	00000004	SYS999	004 STS.	= 00000004 00000000	00000000 ECS_state/Exiting NEW_EPOCH
53850998.232793	00000009	SYS999	004 WSeq	= 00010001 LAcc = 00000000	Send_TR_msg/None
53850998.232793	0000000A	SYS999	005 00000000	00000000 00000000	00000000 VC_state/VC opened
53850998.232793	0000000B	SYS999	005 WSeq	= 00010001 LAcc = 00000000	Send_TR_msg/None
53850998.232793	0000000C	SYS999	005 WSeq	= 00010001 LAcc = 00000000	Send_TR_msg/None
.
53851866.350546	3069EF05	SYS11	005 WSeq	= 00010553 LAcc = 000008CB	Send_TR_msg/None
53851866.350628	3069EF0C	SYS666	005 EDly	= 007F428A 000F722A 0003B13A	Rcvd_TR_msg/Estimated RTT
53851866.352023	3069EF7E	SYS44	005 WSeq	= 00010000 LAcc = 00000D01	Send_TR_msg/None
53851866.352140	3069EF8B	SYS11	005 EDly	= 0075FFB9 000E16E8 00054879	Rcvd_TR_msg/Estimated RTT
53851866.375951	3069F644	SYS444_EWB_EIB	Open 6B Evnt	= 00000000 00000000 00000000	CC_event/Process CC event
.

Channel status legend:

6B - Path Open Remote_HWA_valid Tight Fast

VC status legend:

004 - Path

005 - Open Path

00D - Open Path Queued

2. SCACP> SHOW TRACE/CONTEXT

The command in this example displays trace settings and definition.

3. SCACP> SHOW TRACE/OUTPUT=NODE10.TRC

The command in this example displays trace data and writes it to the specified file.

An example of the screen output of a SHOW TRACE/CONTEXT command follows.

SYS999 Trace Context 31-JAN-2001 10:59:28.25:

```
Trace buffer size requested 2048 bytes
Trace buffer total allocated 92160 bytes
Trace buffer allocations 45 successful
Trace buffer allocations 0 failed
Current trace sequence number 812286047
System cycle counter 404196 cps
Stop tracing 0 events after stop event
```

Trace	Stop	Default	Event
Active		Y	Error
Active			Penalize_ch
Active			Timer
Active			Listen_timr
Active			Handsh_timr
Active			Size_probe
Active			Delay_msmt
Active			Verf_vack
Active		Y	CC_event
Active		Y	CC_state
Active		Y	Path_state
Active		Y	ECS_state
Active			ACK_process
Active		Y	Chan_update
Active			Rcvd_CC_msg
Active			Rcvd_TR_msg
Active			Send_TR_msg
Active			Xmt_failed
Active		Y	VC_state
Active			ACK_timeout
Active		Y	TMO_listen
		Y	No_path

Channel Selection:

Local Dev	Remote Dev	Remote Node Name	Selection
All channels and VCs selected			

4. SCACP> SHOW TRACE/LOCAL=EWA/REMOTE=EWB NODE10,NODE15/L=F*/R=F*,NODE20

The command in this example is equivalent to the following command:

```
SHOW TRACE NODE10/L=EWA/R=EWB, NODE15/L=F*/R=F*, NODE20/L=EWA/R:EWB
```

In this example, the command shows tracing for the following channels:

- To node NODE10, channels with local device EWA and remote device EWB
- To node NODE15, channels with local LAN device starting with F and remote LAN device starting with F
- To node NODE20, channels with local LAN device EWA and remote LAN device EWB

SCACP SHOW VC

SHOW VC

Displays PEDRIVER virtual circuit data. Each VC is an SCACP communications path between the local system and a remote system comprised of a set of channels.

Usage Note

Use the SHOW CHANNEL or SHOW VC commands to display node names, which are simply the names of the remote nodes.

Format

```
SHOW VC nodename
```

Parameter

nodename[,...]

Includes specific nodes, which you can use wildcards to specify.

Qualifiers

/ALL

Includes all VC data.

/COUNTERS

Includes VC counter data.

/EXCLUDE=(nodename[,...])

Excludes specific nodes, which you can use wildcards to specify.

Use the SHOW CHANNEL or SHOW VC commands to display VC names, which are simply the names of the remote nodes.

/INTERVAL

For the /COUNTERS display, displays the changes to counters since the last SHOW command.

/n

Displays the *n*th page. To select a particular page of a multipage display, specify the number of the page you want to display.

/OUTPUT=filespec

Creates the specified file and directs output to it.

/SDA

Includes VC data displayed in SDA format.

/SUMMARY

Includes VC summary data. This is the default if /ALL, /COUNTERS, and /SDA qualifiers are not specified.

Examples

1. SCACP> SHOW VC

The command in this example produces output similar to the following:

AFFC6 PEA0 VC Summary 19-AUG-2003 08:23:20.30:

Remote Node	State	Total Errors	Xmt:TMO	Channels Open	ECS	ECS Pri	MaxPkt Size	ReXmt TMO(uSec)	XmtWindow Cur	Xmt Max	Xmt Options	Total Pkts(S+R)	-----Most Recent VC Opened Time ...
AFFC5	Open	0	Infinite	2	1	0	7268	522711.6	15	15		678293	12-AUG 08:59:51.37...
AFFC6	Open	0	Infinite	1	1	0	1426	3000000.0	1	8		5	12-AUG 08:58:41.67...

2. SCACP> SHOW VC/ALL

In addition to VC summary information, the command in this example produces output similar to the following:

AFFC6 PEA0 VC Equivalent Channel Set (ECS) Membership Criteria 19-AUG-2003 08:23:20.30:

Remote Node	Number Epochs	Number NewECS	Buffer VC	Size ECS	ECS Pri	ECS Hops	Load Class	Current MinDly	-- Faster	ECS Speed Promote	Thrsh Demote	#LAN Devices Loc	Rem ...
AFFC5	9	9	7268	7268	0	2	30000	16140.4	14122.9	20175.4	23201.8	1	1 ...
AFFC6	2	2	1426	1426	0	2	0	108.8	0.0	1017.3	1478.3	1	1 ...

AFFC6 PEA0 VC Sequence Numbers and Miscellaneous 19-AUG-2003 08:23:20.30:

Remote Node	Next Seq To Send(NSU)	Lowest Ack Received(LAR)	Highest Ack Acceptable(HAA)	High Seq Rcvd In Order(HSR)	Last Accepted	Total RcvCached	---MaxCache--- Max	Mgt	Rmt
AFFC5	37330	3732F	3732F	3732F	3732F	0	31	0	31
AFFC6	1	0	0	0	0	0	31	0	31

AFFC6 PEA0 VC Counters 19-AUG-2003 08:23:20.30:

Remote Node	Messages	Acks	Retransmits	Bytes	WinFull	MaxCmdq Len	Receive Messages	Acks	Duplicates	Bytes ...
AFFC5	339147	113049	0	19105253	0	1	339146	113049	0	17070331...
AFFC6	3	0	0	210	0	0	2	0	0	108...

AFFC6 PEA0 VC Errors 19-AUG-2003 08:23:20.30:

Remote Node	Short Message	Illegal Ack	Illegal SeqPkt	Checksum Failures	Cache Misses	FreeQ Empty	SeqPkt Timeouts	NoXmtChan	SeqPkt RetryExh	VC Closures No Path ...
AFFC5	0	0	0	0	0	0	0	0	0	0
AFFC6	0	0	0	0	0	0	0	0	0	0

3. SCACP> SHOW VC/COUNTERS NODE10

The command in this example displays VC counters for all VCs whose name (remote node name) starts with NODE10.

4. SCACP> SHOW VC/COUNTERS/INTERVAL SCACP> SPAWN WAIT 0:0:10 SCACP> SHOW VC/COUNTERS/INTERVAL

The first command in this example displays VC counters since the last SHOW command. The SPAWN command tells the DCL WAIT command to insert a 10-second delay. The second SHOW VC command displays counters after the 10-second period.

SCACP SPAWN

SPAWN

Creates a subprocess of the current process. The SPAWN command copies the context of the subprocess from the current process.

Format

SPAWN [command-string]

Parameter

command-string

A string of commands to be executed in the context of the created subprocess. After the command string is executed, control returns to SCACP.

Qualifiers

None.

Example

```
SCACP> SPAWN SHOW TIME
24-AUG-2002 15:22:39
SCACP>
```

The command in this example creates a subprocess of the current process and displays the time.

START LAN_DEVICE

Directs PEDRIVER to start using the specified LAN device. The original (and still supported) means of starting PEDRIVER on a LAN device is SYS\$EXAMPLES:LAVC\$START_BUS.

Format

START LAN_DEVICE landevicename

Parameter

landevicename[,...]

Includes specific LAN devices, which you can use wildcards to specify.

Usage Notes

- Use the /EXCLUDE qualifier to exclude LAN devices.
- Use the SHOW LAN_DEVICE command to display device names.

Qualifiers

/EXCLUDE=(landevicename[,...])

Excludes specific LAN devices, which you can use wildcards to specify.

Usage Note

Use the SHOW LAN_DEVICE command to display device names.

Example

```
SCACP> START DEVICE EWA
```

This command starts PEDRIVER on the LAN device EWA.

START TRACE

Starts or resumes PEDRIVER tracing, optionally setting tracing options.

Note

This command is reserved for use by HP Services and OpenVMS Engineering only. Trace commands, their qualifiers, and output are subject to change from release to release.

Format

START TRACE nodename

Parameter

nodename[,...]

Includes information about communications with specific nodes, which you can use wildcards to specify. Each node name can be accompanied by optional qualifiers to specify local and remote device names. If no local or remote device name is specified, the VC and all channels associated with the specified node are included.

Usage Note

Use the SHOW CHANNEL command to display node names and local and remote device names.

Qualifiers

/AFTER=*n*

After the trace stop condition has been satisfied, continues tracing for *n* events, and then stops. If you do not specify /AFTER, tracing does not continue after the trace stop event. *n* can be any value between 0 and FFFFFFFF.

/DEFAULT

Sets the trace context back to the default settings, which are:

```
channelname=*  
/AFTER=0  
/EVENT=default settings  
/STOP  
/SIZE=512
```

/EVENT=(event1[,...])

Enables tracing on specific events, which you can use wildcards to specify. The default is a subset of the events, which includes most errors and state changes.

/EXCLUDE=(landevicename[,...])

Excludes specific LAN devices, which you can use wildcards to specify.

/LOCAL_DEVICE=(landevicename[,...])

Includes specific LAN devices which identify the local end of the channel; you can use wildcards to specify LAN devices.

/REMOTE_DEVICE=(landevicename[,...])

Includes specific LAN devices that identify the remote end of the channel. You can use wildcards to specify LAN devices.

/STOP=(event[,...])

Stops tracing on specific events, which you can use wildcards to specify. The default is to stop no events.

/SIZE=n

Specifies a trace buffer size of *n* bytes to be used by PEDRIVER for each trace buffer: one for global PEDRIVER use, one for each selected channel, and one for each selected VC. *n* can be any value between 0 and FFFFFFFF.

Usage Notes

- Use the SHOW TRACE/CONTEXT command to display event names.
- Use the SHOW LAN_DEVICE command to display device names.

Examples

1. SCACP> START TRACE/EVENT=CC_STATE/SIZE=2000

The command in this example changes the Trace Channel Control layer state with a 2000-byte trace buffer.

2. SCACP> START TRACE/EVENT=ALL NODE10,NODE20

The command in this example traces all events but only for the NODE10 and NODE20 channels.

3. SCACP> START TRACE/LOCAL=EWA/REMOTE=EWB NODE10,
NODE15/L=F*/R=F*, NODE20

The command in this example is equivalent to the following command:

```
START TRACE NODE10/L=EWA/R=EWB, NODE15/L=F*/R=F*, NODE20/L=EWA/R:EWB
```

In the example, the command starts tracing for the following channels:

- To node NODE10, channels with local device EWA and remote device EWB
- To node NODE15, channels with local LAN device starting with F and remote LAN device starting with F
- To node NODE20, channels with local LAN device EWA and remote LAN device EWB

SCACP STOP LAN_DEVICE

STOP LAN_DEVICE

Directs PEDRIVER to stop using the specified LAN device. The original (and still supported) means of stopping PEDRIVER on a LAN device is SYS\$EXAMPLES:LAVC\$STOP_BUS.

Caution

If you use either STOP LAN_DEVICE or SYS\$EXAMPLES:LAVC\$STOP_BUS to stop the only device you have providing communications to a cluster, the system will CLUEXIT.

Format

STOP LAN_DEVICE landevicename

Parameter

landevicename[,...]

Includes specific LAN devices, which you can use wildcards to specify.

Usage Notes

- Use the /EXCLUDE qualifier to exclude LAN devices.
- Use the SHOW LAN_DEVICE command to display device names.

Qualifier

/EXCLUDE=(landevicename[,...])

Excludes specific LAN devices, which you can use wildcards to specify.

Example

```
SCACP> STOP LAN_DEVICE EWA
```

This command stops PEDRIVER on the LAN device EWA.

STOP TRACE

Stops PEDRIVER tracing. You can read the trace data recorded so far with a SHOW TRACE command.

Usage Note

To revert trace behavior to initial settings, enter the command SET TRACE/DEFAULT.

Note

This command is reserved for use by HP Services and OpenVMS Engineering only. Trace commands and output are subject to change from release to release.

Format

STOP TRACE

Parameters

None.

Qualifiers

None.

Example

```
SCACP> STOP TRACE
```

The command in this example stops PEDRIVER tracing.

Show Cluster Utility

5.1 SHOW CLUSTER Description

The OpenVMS Show Cluster utility (SHOW CLUSTER) monitors nodes in an OpenVMS Cluster and displays information about cluster-specific activity and performance. SHOW CLUSTER collects information from the System Communications Services (SCS) database, the connection management database, and the port database.

Table 5–1 shows the classes of data output by SHOW CLUSTER.

Table 5–1 Classes of SHOW CLUSTER Information

Class	Description
CIRCUITS	Describes information about the virtual circuits on a system, such as the local port name, the remote port type and number, the number of connections on the circuit, and the circuit state.
CLUSTER	Displays general OpenVMS Cluster information, such as the time the cluster was formed, the last time a system joined or left the cluster, and the cluster quorum.
CONNECTIONS	Describes connections established over a virtual circuit, such as the names of the local and remote processes, and the state of the connection.
COUNTERS	Displays accumulated statistics on connection traffic, such as the number of application datagrams, and the number of application messages that have been sent or received.
CREDITS	Displays the send and receive credits for each connection.
ERRORS	Displays a count of errors that have occurred on each port, along with information related to reinitializing those ports.
LOCAL_PORTS	Describes the local system interface to the OpenVMS Cluster, such as the name, number, and status of each port, and the number of entries in the queues associated with each port.
MEMBERS	Contains node-specific information, such as each node's identification numbers, quorum status, and connection status.
SYSTEMS	Lists information about all systems in the OpenVMS Cluster, such as the node identification numbers, node names, hardware types, and software versions.

Each class contains a number of fields of data. Table 5–2 through Table 5–10 list the fields of data in each class.

SHOW CLUSTER

5.1 SHOW CLUSTER Description

Table 5–2 CIRCUITS Class Fields

Field Name	Description
CABLE_STATUS	Status of the CI circuit paths A and B. Crossed cables are also noted. The field applies only to the CI. Possible displays are as follows: - Paths A and B are bad. A- Path A is good. -B Path B is good. A-B Paths A and B are good. CROSSED Cables are crossed.
CIR_STATE	State of the virtual circuit. Possible displays are as follows: CLOSED Circuit is closed. OPEN Circuit is open. ST_REC Circuit has a start received. ST_SENT Circuit has a start sent. VC_FAIL Virtual circuit failure is in progress.
LD_CLASS	The circuit's current capacity rating.
LPORT_NAME	Device name of the local port associated with the circuit (PAA0, PAB0, PEA0).
MGT_PRIORITY	Priority value assigned to the circuit by management action.
NUM_CONNECTIONS	Number of connections on the circuit between the local and remote systems.
PRIORITY	Circuit's current priority, which is the sum of the management priorities assigned to the circuit and the associated local port.
REM_STATE	State of the remote port. Possible displays are as follows: DISAB Remote port is disabled. ENAB Remote port is enabled. M_DISAB Remote port is in maintenance mode and is disabled. M_ENAB Remote port is in maintenance mode and is enabled. M_UNINIT Remote port is in maintenance mode and has not been initialized. UNINIT Remote port has not been initialized.
RP_FUNCTIONS	Function mask of the remote port.
RPORT_NUM	Port number of the remote port associated with the circuit. The field applies only to CI.
RP_OWNER	Port number of the remote port owner.
RP_REVISION	Hardware or microcode revision number of the remote port.

(continued on next page)

SHOW CLUSTER

5.1 SHOW CLUSTER Description

Table 5–2 (Cont.) CIRCUITS Class Fields

Field Name	Description
RP_TYPE	Type of remote port associated with the circuit. Examples of some possible types might include: CIMNA, KFMSA, SHAC, SII, BVPSSP (a BVP storage systems port), CI780, CI750, CIBCA-A and CIBCA-B, RF and TF devices (for example RF73 or TF85), HSC devices (for example, HSC65 or HSC90), Ethernet, PASSTH (port is in passthrough mode), and so on.
SCS_WAITERS	Number of connections waiting to send SCS control messages on the virtual circuit.

Table 5–3 CLUSTER Class Fields

Field Name	Description
CL_EXPECTED_VOTES	The number of votes the cluster has ever seen – or could see, as determined by the connection manager. The value is based on the maximum value of CL_EXPECTED_VOTES, the value for EXPECTED_VOTES that is specified by each node, and the sum of the cluster votes (CL_VOTES). CL_QUORUM is derived from CL_EXPECTED_VOTES.
CL_MEMBERS	Number of processors participating in the cluster.
CL_QDVOTES	Number of votes contributed by the quorum disk.
CL_QUORUM	The number of votes that must be present for the cluster to function and permit user activity. CL_QUORUM is equal to (CL_EXPECTED_VOTES + 2) divided by 2.
CL_VOTES	Total number of votes contributed by all members of the cluster at any point in time.
FORMED	Time at which the cluster was formed, expressed as dd-mmm-yy hh:mm.
LAST_TRANSITION	Last time at which a system left or joined the cluster, expressed as dd-mmm-yy hh:mm.
MEMSEQ	Membership state sequence number, which changes whenever a node joins or leaves the cluster.
QD_NAME	Full device name of the quorum disk.
QF_VOTE	Indicates whether or not the quorum disk is contributing any votes towards the cluster quorum.

SHOW CLUSTER

5.1 SHOW CLUSTER Description

Table 5–4 CONNECTIONS Class Fields

Field Name	Description
CON_STATE	The state of the connection. Possible displays are as follows: ACCP_SENT Accept request has been sent. CLOSED Connection is closed. CON_ACK Connect request has been sent and acknowledged. CON_REC Connect request has been received. CON_SENT Connect request has been sent. DISC_ACK Disconnect request is acknowledged. DISC_MTCH Disconnect request is matched. DISC_REC Disconnect request has been received. DISC_SENT Disconnect request has been sent. LISTEN Connection is in the listen state. OPEN Connection is open. REJ_SENT Reject has been sent. VC_FAIL Virtual circuit has failed.
LOC_CONID	Identification number of the local side of the connection.
LOC_PROC_NAME	Name of the local process associated with the connection.
REM_CONID	Identification number of the remote side of the connection. This information does not apply for connections in the listen state.
REM_PROC_NAME	Name of the remote process associated with the connection. This information does not apply for connections in the listen state.
SCS_STATE	SCS send blocked state. If the connection is waiting to send an SCS control block message, the SCS send blocked state indicates what kind of message it is waiting to send. Possible displays are as follows: ACCP_PEND Waiting to send an accept request. CLEAR Not blocked. CON_PEND Waiting to send a connection request. CR_PEND Waiting to send credit. DCR_PEND Waiting to send credit in preparation for a disconnect. DISC_PEND Waiting to send a disconnect request. REJ_PEND Waiting to send a reject request.

SHOW CLUSTER 5.1 SHOW CLUSTER Description

Table 5–5 COUNTERS Class Fields

Field Name	Description
BDT_WAITS	Number of times this connection had to wait for a buffer descriptor.
BLKS_REQ	Number of block-request data commands initiated to block transfer data from the remote system to the local system.
BLKS_SENT	Number of block-send data commands initiated to block-transfer data from the local system to the remote system.
CR_WAITS	Number of times this connection had to wait for send credit.
DGS_DSCRD	Number of application datagrams discarded by the port driver.
DGS_RCVD	Number of application datagrams received by the local system over the connection from the remote system and given to SYSAP.
DGS_SENT	Number of application datagrams sent over the connection.
KB_MAPPED	Number of kilobytes of data mapped for block transfer.
KB_RCVD	Number of kilobytes of data received by the local system from the remote system through request-data commands.
KB_SENT	Number of kilobytes of data sent from the local system to the remote system through send-data commands.
MSGS_RCVD	Number of application datagram messages received over the connection.
MSGS_SENT	Number of application datagram messages sent over the connection.

Table 5–6 CREDITS Class Fields

Field Name	Description
INIT_REC	Initial receive credit extended to the remote system when the connection was made.
MIN_REC	Minimum receive credit (minimum send credit required by the remote system).
MIN_SEND	Minimum send credit.
PEND_REC	Receive credit not yet extended to the remote system.
RECEIVE	Receive credit (send credit held by the remote system).
SEND	Current send credit.

Table 5–7 ERRORS Class Fields

Field Name	Description
ERT_COUNT	Number of port reinitialization attempts remaining.
ERT_MAX	Total number of times a recovery from fatal port errors can be attempted by shutting down all virtual circuits and connections and reinitializing the port.

(continued on next page)

SHOW CLUSTER

5.1 SHOW CLUSTER Description

Table 5–7 (Cont.) ERRORS Class Fields

Field Name	Description
NUM_ERRORS	Number of errors that have been logged on the port since the system was booted. This number includes errors encountered in reinitialization attempts as well as recoverable errors, such as virtual circuit failure. This is the same error count as that displayed by the DCL command SHOW DEVICE.

Table 5–8 LOCAL_PORTS Class Fields

Field Name	Description
BUFF_DESCR	Number of buffer descriptors in use.
CMDS_QUEUED	Total number of messages, datagrams, and port commands queued for transmission at all priorities by the port.
COUNTER_OWNER	Name of the process currently using the port traffic counters.
DGI_MAP	A 16-bit bit map displayed as four hexadecimal digits. Each bit in the map represents a port in the cluster from which datagram reception has been disabled.
DG_OVRHD_SIZE	Number of bytes of port header, SCS header, and DECnet header in a datagram.
DGS_FREE	Number of free datagram buffers currently queued for receive commands.
FORM_CIRCS	Number of formative circuits (circuits in the process of opening) from the port.
FREE_BUFF	Number of CI buffer descriptors free for use.
LB_STATUS	Loopback status of each cable from the port to the star coupler. The field applies only to CI. Possible displays are as follows: A-B Loopback tests pass on paths A and B. A-# Loopback tests pass on path A. #-B Loopback tests pass on path B. #-# Loopback tests failed on paths A and B. N/A Loopback tests are not being done.
LOG_MAP	A 16-bit bit map displayed as four hexadecimal digits. Each bit in the map represents a port in the cluster for which an error was logged. Errors are logged when data provided by the configuration database on the local system conflicts with data provided by the remote system. When a conflict is discovered and an error is logged, virtual circuits to the remote system can no longer be established.
LP_LD_CLASS	Hard-coded capacity value of the port, based on the megabits/second rate of the interconnect of the port.
LP_PRIORITY	Management priority assigned to the port.
LP_STATUS	Status of the local port. The port is either on line or off line.
LP_TYPE	Device type of the port (CI780, CI750).

(continued on next page)

SHOW CLUSTER 5.1 SHOW CLUSTER Description

Table 5–8 (Cont.) LOCAL_PORTS Class Fields

Field Name	Description
MAX_PORT	Largest port number to which a virtual circuit open is attempted.
MSG_FREE	Number of free message buffers currently queued for receives commands.
MSG_HDR_SIZE	Number of bytes of port header and SCS header in a message.
NAME	Device name of the local port.
OPEN_CIRCS	Number of virtual circuits open from the port.
POOL_WAITERS	Number of processes waiting for nonpaged pool resources for message buffers.
PORT_NUM	Port number assigned to the port.
PRT_MAP	A 16-bit bit map displayed as three hexadecimal digits. Each bit in the map represents a port in the cluster that has been recognized by the host system.
RSPS_QUEUED	Total number of responses of all kinds received from the port but not yet processed.

Table 5–9 MEMBERS Class Fields

Field Name	Description																				
ACK_LM	Maximum number of OpenVMS Cluster messages the remote system can receive before sending an acknowledgment.																				
ACKR_SQ	Sequence number of the last acknowledgment received over the cluster connection.																				
CNX_STATE	State of the cluster connection. Possible displays are as follows: <table style="margin-left: 20px; border: none;"> <tr> <td>ACCEPT</td> <td>Initial connection is accepted.</td> </tr> <tr> <td>CLOSED</td> <td>Connection is closed.</td> </tr> <tr> <td>CONNECT</td> <td>Initial connection is being accepted.</td> </tr> <tr> <td>DEAD</td> <td>No connection is possible.</td> </tr> <tr> <td>DISCONNECT</td> <td>Disconnection is in progress.</td> </tr> <tr> <td>NEW</td> <td>No attempt to make a connection has been made yet.</td> </tr> <tr> <td>OPEN</td> <td>Connection is open.</td> </tr> <tr> <td>REACCEPT</td> <td>Connection is accepting the reconnect request.</td> </tr> <tr> <td>RECONNECT</td> <td>Connection is attempting to reconnect.</td> </tr> <tr> <td>WAIT</td> <td>Timeout is in progress.</td> </tr> </table>	ACCEPT	Initial connection is accepted.	CLOSED	Connection is closed.	CONNECT	Initial connection is being accepted.	DEAD	No connection is possible.	DISCONNECT	Disconnection is in progress.	NEW	No attempt to make a connection has been made yet.	OPEN	Connection is open.	REACCEPT	Connection is accepting the reconnect request.	RECONNECT	Connection is attempting to reconnect.	WAIT	Timeout is in progress.
ACCEPT	Initial connection is accepted.																				
CLOSED	Connection is closed.																				
CONNECT	Initial connection is being accepted.																				
DEAD	No connection is possible.																				
DISCONNECT	Disconnection is in progress.																				
NEW	No attempt to make a connection has been made yet.																				
OPEN	Connection is open.																				
REACCEPT	Connection is accepting the reconnect request.																				
RECONNECT	Connection is attempting to reconnect.																				
WAIT	Timeout is in progress.																				
CSID	Cluster system identification number. This number is unique over the life of the cluster. Unlike SYS_ID, this identification number may change when the system reboots.																				
DIR_WT	Lock manager distributed directory weight.																				

(continued on next page)

SHOW CLUSTER

5.1 SHOW CLUSTER Description

Table 5–9 (Cont.) MEMBERS Class Fields

Field Name	Description
EXPECTED_VOTES	<p>Maximum number of votes that an individual node can encounter. Used as an initial estimate for computing CL_EXPECTED_VOTES.</p> <p>The cluster manager sets this number using the EXPECTED_VOTES system parameter. It is possible for this field to display a number smaller than the EXPECTED_VOTES parameter setting if the REMOVE_NODE option was used to shut down a cluster member or the SET CLUSTER/EXPECTED_VOTES DCL command was used since this node was last rebooted.</p> <p>The dynamic value for EXPECTED_VOTES used clusterwide is the CL_EXPECTED_VOTES field, which is described in Table 5–3.</p>
PROTOCOL	Protocol version number and ECO level of the connection management software.
QDVOTES	Number of votes the remote system recommends be contributed by the quorum disk. Normally, the cluster manager sets this number using the system parameter QDSKVOTES.
QF_ACTIVE	Indicates whether the remote system's quorum file is accessible.
QF_SAME	Indicates whether the local and remote systems agree about which disk is the quorum disk.
QF_WATCHER	Remote system has an active connection to the quorum disk and can verify its connection for members unable to access the disk directly.
QUORUM	Derived from EXPECTED_VOTES and calculated by the connection manager. It represents an initial value for the minimum number of votes that must be present for this node to function. The dynamic QUORUM value is the CL_QUORUM field, which is described in the CLUSTER class category in Table 5–3.
RCVD_SQ	Sequence number of the last message received over the OpenVMS Cluster connection.
RECNXINTERVAL	Displays the time (in seconds) that the connection manager will wait before timing out the corresponding connection. It is the maximum of the value contained in the system parameter RECNXINTERVAL on the local node and the amount of time it would take for the connection manager on the remote node to discover that the connection is broken.
SEND_SQ	Sequence number of the next message to be sent over the OpenVMS Cluster connection.

(continued on next page)

SHOW CLUSTER

5.1 SHOW CLUSTER Description

Table 5–9 (Cont.) MEMBERS Class Fields

Field Name	Description
STATUS	Status of the node in the cluster. Possible displays are as follows:
blank	System is not being considered as a cluster member.
BRK_MEM	System is a member of the cluster, but the connection manager has lost communication with it.
BRK_NEW	System has just booted, but has not yet joined the cluster and the connection manager has lost communication with it.
BRK_NON	Connection manager has lost communication with the system and the system is no longer a member of the cluster.
BRK_REM	Connection manager has lost communication with the system, and the system has been removed from the cluster.
MEMBER	System is participating in the cluster.
NEW	System has just booted, but has not yet joined the cluster. If this system would normally be a member of the cluster and is displaying NEW in this field, you can expect that the display will eventually change to MEMBER.
NON	System is not a member of the cluster.
REMOVED	System has been removed from the cluster.
SW_VERS	Indicator of the software version running on the node.
TRANSITION_TIME	Time of the system's last change in membership status. (See the STATUS field.)
UNACKED	Number of unacknowledged OpenVMS Cluster messages received by the remote system.
VOTES	Number of votes the remote node contributes toward quorum. Normally, the cluster manager sets this number with the system parameter VOTES.
WARMCDRPS	Number of CDRPs on the CDRP free queue.

Table 5–10 SYSTEMS Class Fields

Field Name	Description
DG_SIZE	Maximum number of bytes of application data in datagrams sent over the circuit.
HW_TYPE	System hardware type (for example, VAXstation 3100 or HS70). (Enclose the system type between double quotation marks.)
HW_VERS	Hardware configuration and revision levels of the remote system.

(continued on next page)

SHOW CLUSTER

5.1 SHOW CLUSTER Description

Table 5–10 (Cont.) SYSTEMS Class Fields

Field Name	Description
INCARNATION	Unique 16-digit hexadecimal number established when the system is booted.
INCN_TIME	Incarnation number expressed as a time (dd-mmm-yy hh:mm).
MSG_SIZE	Maximum number of bytes of application data in messages sent over the circuit.
NODE	Node name of the remote system. Normally, the cluster manager sets the node name using the system parameter SCSNODE. The node name should be the same as the DECnet node name. (Note that SCSNODE cannot be more than six characters.)
NUM_CIRCUITS	Number of virtual circuits between the local system and remote systems.
SOFTWARE	Name and version of the operating system currently running on the remote system.
SYS_ID	Identification number of the remote system. Normally, the cluster manager sets this number using the system parameters SCSSYSTEMID and SCSSYSTEMIDH. This number should be the same as the DECnet node number.

You can customize the SHOW CLUSTER display to include the information most important to your needs by dynamically adding and removing classes and fields. For example, if you add a field that belongs to the CLUSTER class or the LOCAL_PORTS class, SHOW CLUSTER adds the new column of information to the display.

By default, the SHOW CLUSTER display includes the NODE and SOFTWARE fields of the SYSTEMS class and the STATUS field of the MEMBERS class. Figure 5–1 presents a sample customized SHOW CLUSTER display in which the HW_TYPE, VOTES, and TRANSITION_TIME fields have been added to the default SHOW CLUSTER display.

Figure 5–1 Sample SHOW CLUSTER Report

View of Cluster from system ID 19509 node: AJAX 22-FEB-2001 13:00:54

SYSTEMS			MEMBERS		
NODE	HW_TYPE	SOFTWARE	VOTES	STATUS	TRANSITION_TIME
AJAX	AlphaServer 8400 5/440	VMS V7.2	1	MEMBER	30-JAN-2001 10:00
HSJ012	HSJ4	HSJ V36J			
HELENA	VAX 6000-540	VMS V7.2	1	MEMBER	12-JAN-2001 14:25
E	AlphaServer 8400 5/440	VMS V7.2	1	MEMBER	20-DEC-2000 16:40
HSJ019	HSJ5	HSJ V52J			
HSJ018	HSJ5	HSJ V52J			
DIMOND	VAX 6000-540	VMS V7.2	1	MEMBER	31-JAN-2001 13:50
HSJ004	HSJ4	HSJ V32J			

VM-0753A-AI

Because SHOW CLUSTER information covers approximately 100 fields of data, the display can quickly extend beyond screen limits. Therefore, the utility provides mechanisms to help you control the display of data. These mechanisms include the following ones:

SHOW CLUSTER

5.1 SHOW CLUSTER Description

- SHOW CLUSTER qualifiers
- SHOW CLUSTER commands
- A default keypad, which can be redefined
- An initialization file to format the display
- Command procedures to control the display

SHOW CLUSTER has a number of qualifiers and commands, and a definable keypad that allow you to customize the display. You can rearrange the position of windows, scroll their contents, or change the interval at which the display is updated. This chapter contains reference information for the SHOW CLUSTER qualifiers and commands. Appendix B describes how to use the keypad.

Over time, as you determine the most valuable classes and fields of data for the SHOW CLUSTER report, you can create a startup initialization file that establishes your default report format. You can also build command procedures and define a keypad to use while running SHOW CLUSTER interactively.

By customizing SHOW CLUSTER output, you can display only data that is relevant to your installation. Creating the initialization file `SHOW_CLUSTER$INIT:SHOW_CLUSTER.INI` is described in *HP OpenVMS System Manager's Manual, Volume 2: Tuning, Monitoring, and Complex Systems*.

By customizing the SHOW CLUSTER keypad, you can redefine default keypad functions to be more site specific. Using SHOW CLUSTER keypad commands is described in Appendix B.

SHOW CLUSTER

5.2 SHOW CLUSTER Usage Summary

5.2 SHOW CLUSTER Usage Summary

The Show Cluster utility (SHOW CLUSTER) monitors the activity and performance of an OpenVMS Cluster system, and outputs the information to your default terminal or to a specified device or file.

Format

```
SHOW CLUSTER [/qualifier[, . . . ]]
```

Parameters

None.

Description

To invoke SHOW CLUSTER, enter the following command:

```
$ SHOW CLUSTER
```

If you specify the command without any qualifiers, SHOW CLUSTER displays a single cluster report and then returns control to the DCL level. To invoke a continuous SHOW CLUSTER display, enter the following command:

```
$ SHOW CLUSTER/CONTINUOUS
```

In a continuous display, you can control report output with SHOW CLUSTER commands. You can direct SHOW CLUSTER output to a file or device other than to SYS\$OUTPUT by specifying the /OUTPUT qualifier with the SHOW CLUSTER command.

To exit from a continuous display and return to the DCL level, enter the EXIT command or press Ctrl/Z. To exit from SHOW CLUSTER without erasing the screen, press Ctrl/C. To interrupt SHOW CLUSTER, press Ctrl/Y.

5.3 SHOW CLUSTER Qualifiers

This section describes and provides examples of the SHOW CLUSTER qualifiers. The following table describes the qualifiers:

Qualifier	Description
/BEGINNING=time	Specifies the time that the SHOW CLUSTER session is to begin.
/CONTINUOUS	Controls whether SHOW CLUSTER runs as a continuously updating display.
/ENDING=time	Specifies the time that the SHOW CLUSTER session is to end.
/INTERVAL=seconds	Specifies the number of seconds that display information remains on the screen before it is updated.
/OUTPUT=file-spec	Directs the output from SHOW CLUSTER to the specified file instead of the current SYS\$OUTPUT device.

/BEGINNING=time

Specifies the time that the SHOW CLUSTER session is to begin. You can specify an absolute time, a delta time, or a combination of the two. Observe the syntax rules for time values described in the *OpenVMS User's Manual*.

If you specify a future time, your process is placed in a state of hibernation until the specified time. Use this qualifier with the /OUTPUT and /ENDING qualifiers to run SHOW CLUSTER without direct user intervention.

Format

/BEGINNING=time

Parameter

time

You can specify time as an absolute time expressed as [dd-mmm-yyyy[:]] [hh:mm:ss.cc], or a delta time expressed as [dddd-][hh:mm:ss.cc], or a combination of the two. Observe the syntax rules for time values described in the *OpenVMS User's Manual*.

Examples

1. \$ SHOW CLUSTER/BEGINNING=31-OCT-2002:20:30

In this example, specifying an absolute time, SHOW CLUSTER produces a single display at 8:30 P.M. on October 31, 2002.

2. \$ SHOW CLUSTER/CONTINUOUS/BEGINNING=31-OCT-2002:21:30

In this example, specifying an absolute time, SHOW CLUSTER begins a continuous display at 9:30 P.M. on October 31, 2002.

3. \$ SHOW CLUSTER/BEGINNING=7-:30

In this example, specifying a delta time, SHOW CLUSTER produces a single display 7 days and 30 minutes from now.

SHOW CLUSTER /CONTINUOUS

/CONTINUOUS

Controls whether SHOW CLUSTER runs as a continuously updating display. If you omit the qualifier, SHOW CLUSTER produces a single display and returns control to the DCL command level.

Running SHOW CLUSTER in the continuous mode allows you to use SHOW CLUSTER commands to control the display.

Format

/CONTINUOUS

Example

```
$ SHOW CLUSTER/CONTINUOUS
```

In this example, SHOW CLUSTER begins to display a continuous report that is updated every 15 seconds.

/ENDING=time

Specifies the time that the SHOW CLUSTER session is to end. You can specify an absolute time, a delta time, or a combination of the two. Observe the syntax rules for time values described in the *OpenVMS User's Manual*.

Use this qualifier with the /BEGINNING and /OUTPUT qualifiers to run SHOW CLUSTER without direct user intervention.

Format

/ENDING=time

Parameter

time

You can specify time as an absolute time expressed as [dd-mmm-yyyy[:]][hh:mm:ss.cc], or a delta time expressed as [ddd-][hh:mm:s.cc], or a combination of the two. Observe the syntax rules for time values described in the *OpenVMS User's Manual*.

Example

```
$ SHOW CLUSTER/CONTINUOUS/ENDING=31-OCT-2002:15:30
```

In this example, SHOW CLUSTER begins a continuous display now and ends the display at 3:30 P.M. on October 31, 2002.

SHOW CLUSTER /INTERVAL=seconds

/INTERVAL=seconds

Specifies the number of seconds that display information remains on the screen before it is updated. By default, the interval time is 15 seconds.

Format

/INTERVAL=seconds

Parameter

seconds

The number of seconds between display updates.

Example

```
$ SHOW CLUSTER/INTERVAL=5
```

In this example, SHOW CLUSTER displays a continuous report that is updated every 5 seconds.

/OUTPUT=file-spec

Directs the output from SHOW CLUSTER to the specified file instead of the current SYS\$OUTPUT device.

SHOW CLUSTER output is always in printable file format, regardless of the file or device type specified. Output can be up to 132 columns wide and can be sent to any file, terminal, or print device.

You can also direct output to a file with the WRITE command.

Format

/OUTPUT=file-spec

Parameter

file-spec

The name of the file or device to which SHOW CLUSTER output is directed. The default file name is SHOW_CLUSTER.LIS.

You can direct output to a device other than SYS\$OUTPUT by specifying a valid device name.

Example

```
$ SHOW CLUSTER/OUTPUT=[OMALLEY]CLUSTER
```

In this example, SHOW CLUSTER produces one report and directs it to the file CLUSTER.LIS;1 in the directory OMALLEY.

5.4 SHOW CLUSTER Commands

Once you start a continuous SHOW CLUSTER display session, you can use SHOW CLUSTER commands to control the session. The following table describes each command:

Command Name	Description
@ (Execute Procedure)	Executes a command procedure file that contains SHOW CLUSTER commands.
ADD CIRCUITS	Adds all currently enabled CIRCUITS class fields to the SHOW CLUSTER display.
ADD CLUSTER	Adds all currently enabled CLUSTER class fields to the SHOW CLUSTER display.
ADD CONNECTIONS	Adds all currently enabled CONNECTIONS class fields to the SHOW CLUSTER display. Optionally, the command adds connections according to state or name.
ADD COUNTERS	Adds all currently enabled COUNTERS class fields to the SHOW CLUSTER display.

SHOW CLUSTER

5.4 SHOW CLUSTER Commands

Command Name	Description
ADD CREDITS	Adds all currently enabled CREDITS class fields to the SHOW CLUSTER display.
ADD ERRORS	Adds all currently enabled ERRORS class fields to the SHOW CLUSTER display.
ADD (Field)	Enables the display of specific fields of SHOW CLUSTER information.
ADD LOCAL_PORTS	Adds all currently enabled LOCAL_PORTS class fields to the SHOW CLUSTERS display.
ADD MEMBERS	Adds all currently enabled MEMBERS class fields to the SHOW CLUSTER display.
ADD SYSTEMS	Adds all currently enabled SYSTEMS class fields to the SHOW CLUSTER display for all active systems or for selected systems.
DEFINE/KEY	Associates an equivalence string and set of attributes with a key on the terminal keyboard.
DESELECT	Terminates the selection of a previously selected window.
EXIT	Terminates the SHOW CLUSTER display and returns control to the DCL command level.
HELP	Provides online help information for using SHOW CLUSTER commands, parameters, and qualifiers. Press Ctrl/Z to exit.
INITIALIZE	Resets the display using the original default values for field names, class names, and field widths. It also restores any systems that were removed from the display by the REMOVE SYSTEMS command.
MOVE	Moves a selected window to a specified position.
PAN	Exhibits a wide display area, a part at a time, as though being unrolled.
REFRESH	Clears the screen, removes extraneous characters, and updates all fields.
REMOVE CIRCUITS	Removes CIRCUITS class information from the SHOW CLUSTER display.
REMOVE CLUSTER	Removes CLUSTER class information from the SHOW CLUSTER display.
REMOVE CONNECTIONS	Removes CONNECTIONS class information from the SHOW CLUSTER display.
REMOVE COUNTERS	Removes COUNTERS class information from the SHOW CLUSTER display.
REMOVE CREDITS	Removes CREDITS class information from the SHOW CLUSTER display.
REMOVE ERRORS	Removes ERRORS class information from the SHOW CLUSTER display.
REMOVE (Field)	Disables the display of specific fields of SHOW CLUSTER information.
REMOVE LOCAL_PORTS	Removes LOCAL_PORTS class information from the SHOW CLUSTER display.

SHOW CLUSTER

5.4 SHOW CLUSTER Commands

Command Name	Description
REMOVE MEMBERS	Removes MEMBERS class information from the SHOW CLUSTER display.
REMOVE SYSTEMS	Removes SYSTEMS class information from the SHOW CLUSTER display.
SAVE	Allows you to build a startup initialization file or a command procedure that creates the current display so you can restore the display at a later time.
SCROLL	Scrolls a window.
SELECT	Designates which window to scroll or move.
SET AUTO_POSITIONING	Enables or disables the automatic positioning of windows within a display.
SET (Field)	Modifies the characteristics of particular fields within the display.
SET FUNCTION	Enables one of the following SHOW CLUSTER functions: EDIT, MOVE, PAN, or SCROLL.
SET INTERVAL	Changes the interval time between display updates. The default interval time is 15 seconds.
SET SCREEN	Sets the terminal to a display of up to 511 columns.
WRITE	Outputs the current display to a file that can be printed on a hardcopy device.

SHOW CLUSTER @ (Execute Procedure)

@ (Execute Procedure)

Executes a command procedure file that contains SHOW CLUSTER commands.

Format

@ file-spec

Parameter

file-spec

Specifies the name of the file that contains the commands to be executed. If you omit the file type, the default file type .COM is used. No wildcard characters are allowed in the file specification.

Qualifiers

None.

Description

The execute procedure (@) command allows you to execute a set of SHOW CLUSTER commands that are contained in a file. For example, a command procedure file might contain a set of commands to customize a SHOW CLUSTER display. You can use any valid SHOW CLUSTER commands in the command procedure. You can nest command procedures up to 16 levels deep.

SHOW CLUSTER looks for the command procedure in the directory specified by the logical name SHOW_CLUSTER\$INIT. If SHOW_CLUSTER\$INIT is not defined or does not include a directory specification, the utility looks for the command procedure in the current default directory.

Example

```
COMMAND> @MYFILE
```

This command executes the command procedure MYFILE.COM. Because no file type is specified, the file type defaults to .COM.

ADD CIRCUITS

Adds all currently enabled CIRCUITS class fields to the SHOW CLUSTER display. The CIRCUITS class contains information about the virtual circuits on systems in the cluster.

Format

ADD CIRCUITS [/qualifier[, . . .]]

Parameters

None.

Qualifiers

/ALL

Specifies that all fields in this class are to be added to the display.

/TYPE=ALL

Specifies that all types of circuits be included in the display, including formative, open, and closing circuits.

/TYPE=OPEN

/TYPE=NOOPEN

Controls whether either open circuits or nonopen circuits are added to the display.

Description

The ADD CIRCUITS command adds CIRCUITS class information to the SHOW CLUSTER display. This information includes data for all currently enabled fields in the CIRCUITS class. By default, the following fields are enabled:

RPORT_NUM—remote port number
RP_TYPE—remote port type
CIR_STATE—circuit state

For a list of all CIRCUITS class fields, see Table 5–2.

Use the ADD CIRCUITS command together with the REMOVE CIRCUITS command to turn the display of CIRCUITS class information on and off. If you remove the CIRCUITS class from the display and add it again without changing any fields, all of the same fields are displayed again. If, however, you remove the CIRCUITS class and add new CIRCUITS class fields, all previously enabled fields are disabled, and only the newly added fields are displayed.

Examples

1. COMMAND> ADD CIRCUITS

This command adds CIRCUITS class information to the display. This information includes all types of circuits for all enabled CIRCUITS class fields.

2. COMMAND> ADD CIRCUITS/TYPE=OPEN

This command adds all open circuits to the SHOW CLUSTER display.

SHOW CLUSTER ADD CIRCUITS

```
3.  COMMAND> REMOVE CIRCUITS
    COMMAND> ADD RP_OWNER
    COMMAND> REMOVE CIRCUITS
    .
    .
    .
    COMMAND> ADD CIRCUITS
```

The ADD CIRCUITS command in this example sequence adds CIRCUITS class information to the SHOW CLUSTER display. The REMOVE CIRCUITS command removes the CIRCUITS class from the display.

The ADD RP_OWNER command adds the CIRCUITS class field RP_OWNER to the display. As a result, all other CIRCUITS class fields are disabled. When the CIRCUITS class is removed and added again, only the RP_OWNER field is displayed.

ADD CLUSTER

Adds all currently enabled CLUSTER class fields to the SHOW CLUSTER display.

Format

ADD CLUSTER

Parameters

None.

Qualifier

/ALL

Specifies that all fields in this class are to be added to the display.

Description

The ADD CLUSTER command adds CLUSTER class information to the SHOW CLUSTER display. This information includes data for all currently enabled fields in the CLUSTER class. By default, the CLUSTER class includes the following fields:

- CL_EXPECTED_VOTES—number of cluster votes expected
- CL_QUORUM—cluster quorum
- CL_VOTES—cluster votes
- QF_VOTE—quorum disk contributes a vote
- CL_MEMBERS—current cluster members
- FORMED—when quorum was formed
- LAST_TRANSITION—last change in cluster membership

For a list of all CLUSTER class fields, see Table 5–3.

Use the ADD CLUSTER command with the REMOVE CLUSTER command to turn the display of CLUSTER class information on and off. If you remove the CLUSTER class from the display and add it again without changing any fields, all of the same fields are displayed again. If, however, you remove the CLUSTER class and add new CLUSTER class fields, all previously enabled fields are disabled, and only the newly added fields are displayed.

Examples

1. COMMAND> ADD CLUSTER

This command adds CLUSTER class information to the display. This information includes all enabled CLUSTER class fields.

SHOW CLUSTER ADD CLUSTER

```
2.  COMMAND> REMOVE CLUSTER
    COMMAND> ADD CL_QUORUM
    COMMAND> REMOVE CLUSTER
        .
        .
        .
    COMMAND> ADD CLUSTER
```

The ADD CLUSTER command in this example adds CLUSTER class information to the SHOW CLUSTER display. The first command in the sequence removes the CLUSTER class from the display. The second command, ADD CL_QUORUM, adds the CLUSTER class field CL_QUORUM to the display. As a result, all other CLUSTER class fields are disabled. When the CLUSTER class is removed and added again, only the CL_QUORUM field is displayed.

ADD CONNECTIONS

Adds all currently enabled CONNECTIONS class fields to the SHOW CLUSTER display. Optionally, the command adds connections according to state or name.

Format

```
ADD CONNECTIONS [/qualifier[, . . . ]]
```

Parameters

None.

Qualifiers

/ALL

Specifies that all fields in this class are to be added to the display.

/NAME=ALL

Restores processes removed from the display with the command REMOVE CONNECTIONS/NAME=local-process-name.

/NAME=local-process-name

Adds the connection associated with the specified local process name, as displayed in the LOC_PROC_NAME field of the CONNECTIONS class.

A local process name can contain up to 16 characters. If the name is abbreviated, SHOW CLUSTER adds all local process names matching the abbreviation.

/TYPE=ALL

Specifies that all types of connections on each circuit are displayed. For a listing of the possible states a connection can be in, see the description of the CON_STATE field in Table 5–4. By default, the ADD CONNECTIONS command without any qualifiers displays all types of connections.

/TYPE=OPEN

/TYPE=NOOPEN

Controls whether connections in the open state or the nonopen state are to be added to the SHOW CLUSTER display.

Description

The ADD CONNECTIONS command adds CONNECTIONS class information to the SHOW CLUSTER display. This information includes data for all currently enabled fields in the CONNECTIONS class.

By default, the following CONNECTIONS class fields are enabled:

- LOC_PROC_NAME—local process name
- CON_STATE—connection state

For a list of all CONNECTIONS class fields, see Table 5–4.

Use the ADD CONNECTIONS command together with the REMOVE CONNECTIONS command to turn the display of CONNECTIONS class information on and off. If you remove the CONNECTIONS class from the display and add it again without changing any fields, all of the same fields are displayed again. If, however, you remove the CONNECTIONS class and add new

SHOW CLUSTER ADD CONNECTIONS

CONNECTIONS class fields, all previously enabled fields are disabled, and only the newly added fields are displayed.

Examples

1. `COMMAND> ADD CONNECTIONS`

This command adds CONNECTIONS class information to the display. This information includes all enabled CONNECTIONS class fields.

2. `COMMAND> ADD CONNECTIONS/NAME=(MSCP$DISK,VMS$VMScluster)`

This command adds all connections associated with the process MSCP\$DISK and the process VMS\$VMScluster to the SHOW CLUSTER display.

3. `COMMAND> ADD CONNECTIONS/TYPE=OPEN`

This command adds all open connections to the SHOW CLUSTER display.

4. `COMMAND> REMOVE CONNECTIONS`
`COMMAND> ADD SCS STATE`
`COMMAND> REMOVE CONNECTIONS`

.
.
.

`COMMAND> ADD CONNECTIONS`

The ADD CONNECTIONS command in this example adds CONNECTIONS class information to the SHOW CLUSTER display. The first command in the sequence removes the CONNECTIONS class from the display. The second command, ADD SCS_STATE, adds the CONNECTIONS class field SCS_STATE to the display. As a result, all other CONNECTIONS class fields are disabled. When the CONNECTIONS class is removed and added again, only the SCS_STATE field is displayed.

ADD COUNTERS

Adds all currently enabled COUNTERS class fields to the SHOW CLUSTER display.

Format

ADD COUNTERS

Parameters

None.

Qualifier

/ALL

Specifies that all fields in this class are to be added to the display.

Description

The ADD COUNTERS command adds COUNTERS class information to the SHOW CLUSTER display. This information includes data for all currently enabled fields in the COUNTERS class.

By default, the following COUNTERS fields are enabled:

- DGS_SENT—datagrams sent
- DGS_RCVD—datagrams received
- MSG_SENT—messages sent
- MSG_RCVD—messages received

For a list of all COUNTERS class fields, see Table 5–5.

Use the ADD COUNTERS command together with the REMOVE COUNTERS command to turn the display of COUNTERS class information on and off. If you remove the COUNTERS class from the display and add it again without changing any fields, all of the same fields are displayed again. If, however, you remove the COUNTERS class and add new COUNTERS class fields, all previously enabled fields are disabled, and only the newly added fields are displayed.

Examples

1. COMMAND> ADD COUNTERS

This command adds COUNTERS class information to the display. This information includes all enabled COUNTERS class fields.

2. COMMAND> REMOVE COUNTERS
COMMAND> ADD MSGS_SENT
COMMAND> REMOVE COUNTERS

·
·
·

COMMAND> ADD COUNTERS

The ADD COUNTERS command in this example sequence adds COUNTERS class information to the SHOW CLUSTER display. The first command removes the COUNTERS class from the display. The second command, ADD MSGS_SENT, adds the COUNTERS class field MSGS_SENT to the

**SHOW CLUSTER
ADD COUNTERS**

display. As a result, all other COUNTERS class fields are disabled. When the COUNTERS class is removed and added again, only the MSGS_SENT field is displayed.

ADD CREDITS

Adds all currently enabled CREDITS class fields to the SHOW CLUSTER display.

Format

ADD CREDITS

Parameters

None.

Qualifier

/ALL

Specifies that all fields in this class are to be added to the display. By default, the ADD CREDITS command, used without any qualifiers, displays all the CREDITS class fields.

Description

The ADD CREDITS command adds CREDITS class information to the SHOW CLUSTER display. This information includes data for all currently enabled fields in the CREDITS class.

By default, all CREDITS class fields are enabled. For a list of all CREDITS class fields, see Table 5–6.

Use the ADD CREDITS command together with the REMOVE CREDITS command to turn the display of CREDITS class information on and off. If you remove the CREDITS class from the display and then add it again without changing any fields, all of the same fields are displayed again. If, however, you remove the CREDITS class and add new CREDITS class fields, all previously enabled fields are disabled, and only the newly added fields are displayed.

Examples

1. `COMMAND> ADD CREDITS`

This command adds CREDITS class information to the display. This information includes all enabled CREDITS class fields.

2. `COMMAND> REMOVE CREDITS`
`COMMAND> ADD MIN_REC`
`COMMAND> REMOVE CREDITS`

·
·
·

`COMMAND> ADD CREDITS`

The ADD CREDITS command in this example sequence adds CREDITS class information to the SHOW CLUSTER display. The first command removes the CREDITS class from the display. The second command, ADD MIN_REC, adds the CREDITS class field MIN_REC to the display. As a result, all other CREDITS class fields are disabled. When the CREDITS class is removed and added again, only the MIN_REC field is displayed.

SHOW CLUSTER ADD ERRORS

ADD ERRORS

Adds all currently enabled ERRORS class fields to the SHOW CLUSTER display.

Format

ADD ERRORS

Parameters

None.

Qualifier

/ALL

Specifies that all fields in this class are to be added to the display. By default, ADD ERRORS, used without any field qualifiers, displays all the fields in the ERRORS class.

Description

The ADD ERRORS command adds ERRORS class information to the SHOW CLUSTER display. This information includes data for all currently enabled fields in the ERRORS class.

By default, all ERRORS class fields are enabled. For a list of all ERRORS class fields, see Table 5–7.

Use the ADD ERRORS command together with the REMOVE ERRORS command to turn the display of ERRORS class information on and off. If you remove the ERRORS class from the display and add it again without changing any fields, all of the same fields are displayed again. If, however, you remove the ERRORS class and add new ERRORS class fields, all previously enabled fields are disabled, and only the newly added fields are displayed.

Examples

1. COMMAND> ADD ERRORS

This command adds ERRORS class information to the display. This information includes all enabled ERRORS class fields.

2. COMMAND> REMOVE ERRORS
COMMAND> ADD ERT_MAX
COMMAND> REMOVE ERRORS

·
·
·

COMMAND> ADD ERRORS

The ADD ERRORS command in this example sequence adds ERRORS class information to the SHOW CLUSTER display. The first command removes the ERRORS class from the display. The second command, ADD ERT_MAX, adds the ERRORS class field ERT_MAX to the display. As a result, all other ERRORS class fields are disabled. When the ERRORS class is removed and added again, only the ERT_MAX field is displayed.

ADD (Field)

Enables the display of specific fields of SHOW CLUSTER information.

Format

ADD field-name[. . .]

CIRCUITS

The CIRCUITS class contains information about the virtual circuits on a system, such as the local port name, the remote port type and number, the number of connections on the circuit, and the circuit state.

See Table 5–2 for a table containing the fields in the CIRCUITS class.

CLUSTER

The CLUSTER class contains general information about the cluster, such as the time it was formed, the last time a system joined or left the cluster, and the cluster quorum.

See Table 5–3 for a table containing the fields in the CLUSTER class.

CONNECTIONS

The CONNECTIONS class contains information about connections established over a virtual circuit, such as the names of the local and remote processes, and the state of the connection.

See Table 5–4 for a table containing the fields in the CONNECTIONS class.

COUNTERS

The COUNTERS class displays statistics on connection traffic, such as the number of application datagrams or the number of application messages that have been sent or received.

See Table 5–5 for a table containing the fields in the COUNTERS class.

CREDITS

The CREDITS class displays the send and receive credit counts for each connection.

See Table 5–6 for a table containing the fields in the CREDITS class.

ERRORS

The ERRORS class displays a count of the errors on each port, along with information about the feasibility of reinitializing a port.

See Table 5–7 for a table containing the fields in the ERRORS class.

LOCAL_PORTS

The LOCAL_PORTS class displays information about the local system interface to the cluster, such as the name, number, and status of each port, and the number of entries in the queues associated with each port.

See Table 5–8 for a table containing the fields in the LOCAL_PORTS class.

MEMBERS

The MEMBERS class contains information about active systems in the cluster, such as their identification numbers and membership status.

See Table 5–9 for a table containing the fields in the MEMBERS class.

SHOW CLUSTER ADD (Field)

SYSTEMS

The SYSTEMS class lists information about all systems in the cluster, such as their identification numbers, node names, hardware types, and software versions.

See Table 5–10 for a table containing the fields in the SYSTEMS class.

Qualifiers

None.

Description

The ADD (Field) command enables and adds specific fields of information to a SHOW CLUSTER display. When you add a field for a class that is not currently being displayed, the class heading of that field is added to the display. The qualifier /ALL on any ADD (Class) command adds all fields in the class to the display.

To remove a field from the SHOW CLUSTER display, enter the REMOVE (Field) command.

Examples

1. `COMMAND> ADD SEND`

This command enables the CREDITS class field SEND and adds it to the SHOW CLUSTER display.

2. `COMMAND> ADD REM_STATE,REM_CONID,LOC_CONID`

This command enables the CIRCUITS class field REM_STATE and the CONNECTIONS class fields REM_CONID and LOC_CONID, and adds them to the SHOW CLUSTER display.

ADD LOCAL_PORTS

Adds all currently enabled LOCAL_PORTS class fields to the SHOW CLUSTER display.

Format

ADD LOCAL_PORTS

Parameters

None.

Qualifier

/ALL

Specifies that all fields in this class are to be added to the display.

Description

The ADD LOCAL_PORTS command adds LOCAL_PORTS class information to the SHOW CLUSTER display. This information includes data for all currently enabled fields in the LOCAL_PORTS class.

By default, the following fields are enabled:

NAME
LP_STATUS—port status
PORT_NUM—port number
DGS_FREE—free datagrams queued
MSG_FREE—free messages queued
OPEN_CIRCS—open circuits
FORM_CIRCS—formative circuits

For a list of all LOCAL_PORTS class fields, see Table 5–8.

Use the ADD LOCAL_PORTS command with the REMOVE LOCAL_PORTS command to turn the display of LOCAL_PORTS class information on and off. If you remove the LOCAL_PORTS class from the display and add it again without changing any fields, all of the same fields are displayed again. If, however, you remove the LOCAL_PORTS class and add new LOCAL_PORTS class fields, all previously enabled fields are disabled, and only the newly added fields are displayed.

Examples

1. COMMAND> ADD LOCAL_PORTS

This command adds LOCAL_PORTS class information to the display. This information includes all enabled LOCAL_PORTS class fields.

SHOW CLUSTER ADD LOCAL_PORTS

```
2.  COMMAND> REMOVE LOCAL_PORTS
    COMMAND> ADD LB_STATUS
    COMMAND> REMOVE LOCAL_PORTS
    .
    .
    .
    COMMAND> ADD LOCAL_PORTS
```

The ADD LOCAL_PORTS command in this example sequence adds LOCAL_PORTS class information to the SHOW CLUSTER display. The first command removes the LOCAL_PORTS class from the display. The second command, ADD LB_STATUS, adds the LOCAL_PORTS class field LB_STATUS to the display. As a result, all other LOCAL_PORTS class fields are disabled. When the LOCAL_PORTS class is removed and added again, only the LB_STATUS field is displayed.

ADD MEMBERS

Adds all currently enabled MEMBERS class fields to the SHOW CLUSTER display.

Format

ADD MEMBERS

Parameters

None.

Qualifier

/ALL

Specifies that all fields in this class are to be added to the display.

Description

The ADD MEMBERS command adds MEMBERS class information to the SHOW CLUSTER display. This information includes data for all currently enabled fields in the MEMBERS class.

By default, only the STATUS field is enabled. For a list of all MEMBERS class fields, see Table 5–9.

Use the ADD MEMBERS command with the REMOVE MEMBERS command to turn the display of MEMBERS class information on and off. If you remove the MEMBERS class from the display and add it again without changing any fields, all of the same fields are displayed again. If, however, you remove the MEMBERS class and add new MEMBERS class fields, all previously enabled fields are disabled, and only the newly added fields are displayed.

Examples

1. COMMAND> ADD MEMBERS

This command adds MEMBERS class information to the display. This information includes all enabled MEMBERS class fields.

2. COMMAND> REMOVE MEMBERS
COMMAND> ADD VOTES
COMMAND> REMOVE MEMBERS

.
.
.

COMMAND> ADD MEMBERS

The ADD MEMBERS command in this example sequence adds MEMBERS class information to the SHOW CLUSTER display. The first command removes the MEMBERS class from the display. The second command, ADD VOTES, adds the MEMBERS class field VOTES to the display. As a result, all other MEMBERS class fields are disabled. When the MEMBERS class is removed and added again, only the VOTES field is displayed.

SHOW CLUSTER ADD SYSTEMS

ADD SYSTEMS

Adds all currently enabled SYSTEMS class fields to the SHOW CLUSTER display for all active systems or for selected systems.

Format

```
ADD SYSTEMS [/qualifier[, . . . ]]
```

Parameters

None.

Qualifiers

/ALL

Specifies that all fields in the SYSTEMS class are to be added to the display.

/ID=ALL

Restores the display after selectively removing systems by ID.

/ID=system-id

Specifies, by system identification number, systems to be added to the SHOW CLUSTER display. The *system-id* can be any identification number displayed in the SYS_ID field of the SYSTEMS class. When using a hexadecimal value for an identifier, precede the number with the characters %X.

The /ID qualifier affects all information displayed about the specified system, not just information in the SYSTEMS class display.

/NODE=ALL

Restores the display after selectively removing systems by node name.

/NODE=node-name

Specifies, by node name, systems to be added to the SHOW CLUSTER display. The *node-name* can be any node displayed in the NODE field of the SYSTEMS class, and it can be enclosed in quotation marks. The /NODE qualifier affects all information displayed about the specified node, not just information in the SYSTEMS class display.

/TYPE=ALL

Restores the display after selectively removing systems by type.

/TYPE=hardware-type

Specifies, by hardware type, systems to be added to the SHOW CLUSTER display. You can specify any of the types shown in the HW_TYPE field, and you must enclose the type in quotation marks; for example, "VAX 8800". Because the quoted text may be abbreviated, it is possible, for example, to add VAXstation II and VAXstation 2000 systems with a single command. Multiple types may be specified if enclosed in parentheses and separated by commas. Hardware types are not case sensitive.

The /TYPE qualifier affects all information displayed about the specified hardware type, not just information in the SYSTEMS class display.

Description

The ADD SYSTEMS command adds SYSTEMS class information to the SHOW CLUSTER display. This information includes data for all currently enabled fields in the SYSTEMS class. By default, the following fields are enabled:

NODE
SOFTWARE

For a list of all SYSTEMS class fields, see Table 5–10.

Use the ADD SYSTEMS command with the REMOVE SYSTEMS command to turn the display of SYSTEMS class information on and off. If you remove the SYSTEMS class from the display and add it again without changing any fields, all of the same fields are displayed again. If, however, you remove the SYSTEMS class and add new SYSTEMS class fields, all previously enabled fields are disabled, and only the newly added fields are displayed.

Examples

1. COMMAND> ADD SYSTEMS

This command adds SYSTEMS class information to the display. This information includes all enabled SYSTEMS class fields.

2. COMMAND> ADD SYSTEMS/NODE=(PISHTA,ELF)

This command adds the nodes PISHTA and ELF to the SHOW CLUSTER display, reporting all currently enabled information about the nodes.

3. COMMAND> ADD SYSTEMS/TYPE=("VAX 8800","MicroVAX 2000")

This command adds all VAX 8800 and MicroVAX 2000 processors to the SHOW CLUSTER display, reporting all currently enabled information about those hardware types.

4. COMMAND> REMOVE SYSTEMS
COMMAND> ADD SYS_ID
COMMAND> REMOVE SYSTEMS

·
·
·

COMMAND> ADD SYSTEMS

The ADD SYSTEMS command in this example sequence adds SYSTEMS class information to the SHOW CLUSTER display. The first command removes the SYSTEMS class from the display. The second command, ADD SYS_ID, adds the SYSTEMS class field SYS_ID to the display. As a result, all other SYSTEMS class fields are disabled. When the SYSTEMS class is removed and added again, only the SYS_ID field is displayed.

SHOW CLUSTER DEFINE/KEY

DEFINE/KEY

Associates an equivalence string and set of attributes with a key on the terminal keyboard. The /KEY qualifier is required.

Format

DEFINE/KEY key-name equivalence-string

Parameters

key-name

Specifies the name of the key that you are defining. Use the following key names when defining keys:

Key Name	LK201	VT100	VT52
PF1	PF1	PF1	[blue]
PF2	PF2	PF2	[red]
PF3	PF3	PF3	[gray]
PF4	PF4	PF4	- -
KP0, KP1 to KP9	0, 1 to 9	0, 1 to 9	0, 1 to 9
PERIOD	.	.	.
COMMA	,	,	n/a
MINUS	-	-	n/a
ENTER	Enter	ENTER	ENTER
Find (E1)	Find	--	--
Insert Here (E2)	Insert Here	--	--
Remove (E3)	Remove	--	--
Select (E4)	Select	--	--
Prev Screen (E5)	Prev Screen	--	--
Next Screen (E6)	Next Screen	--	--
HELP	Help	--	--
DO	Do	--	--
F17 to F20	F17 to F20	--	--

equivalence-string

Specifies the string to be processed when you press the key. The string can be a SHOW CLUSTER command. If the string contains any spaces, enclose the equivalence string in quotation marks.

Qualifiers

/ECHO (default)

/NOECHO

Determines whether the equivalence string is displayed on your screen after the key has been pressed. You cannot use /NOECHO with the /NOTERMINATE qualifier.

/ERASE

/NOERASE (default)

Determines whether the current line is erased before the key translation is inserted.

/IF_STATE=(state-name, . . .)

/NOIF_STATE

Specifies a list of one or more states, one of which must take effect for the key definition to be in effect. If you omit the /IF_STATE qualifier or use /NOIF_STATE, the current state is used.

/LOCK_STATE

/NOLOCK_STATE (default)

Specifies that the state set by the /SET_STATE qualifier remain in effect until explicitly changed. If you use the /NOLOCK_STATE qualifier, the state set by /SET_STATE is in effect only for the next definable key that you press or for the next read-terminating character that you type.

The /LOCK_STATE qualifier can be specified only with the /SET_STATE qualifier.

/LOG (default)

/NOLOG

Controls whether the system displays a message indicating that the key definition has been successfully created.

/SET_STATE=state-name

/NOSET_STATE (default)

Causes the specified state-name to be set when the key is pressed. The state name can be any alphanumeric string.

If you omit the SET_STATE qualifier or use /NOSET_STATE, the current state that was locked remains in effect. If you have not included this qualifier with a key definition, use the DCL command SET KEY to change the current state.

/TERMINATE

/NOTERMINATE (default)

Specifies whether the current equivalence string is to be terminated (that is, processed) when the key is pressed. Pressing Return has the same effect as using /TERMINATE.

The /NOTERMINATE qualifier allows you to create key definitions that insert text into command lines, after prompts, or into other text that you are typing.

Description

The DEFINE/KEY command enables you to assign definitions to the keys on certain terminals. The terminals include VT52s, the VT100 series, and terminals with LK201 keyboards, such as the VT200 series.

The equivalence string definition can contain different types of information. Definitions can consist of SHOW CLUSTER commands. When you define a key to insert a text string, use the /NOTERMINATE qualifier so that you can continue typing more data after the string has been inserted.

In most instances you will want to take advantage of the echo feature. The default setting is /ECHO. With the /ECHO qualifier set, the key definition is displayed on the screen each time you press the key.

SHOW CLUSTER DEFINE/KEY

You can use the /STATE qualifier to increase the number of key definitions available on your terminal. The same key can be assigned any number of definitions as long as each definition is associated with a different state. State names can contain any alphanumeric characters, dollar signs, and underscores. Generally, you want to create a state name that is easy to remember and type and, if possible, reminds you of the types of definitions you created for that state.

Example

```
Command> DEFINE/KEY PF3 "LOCAL_PORT"/NOTERMINATE
```

This command defines the PF3 key on the keypad to output the "LOCAL_PORT" text string. This key could be used with the ADD key to form the ADD LOCAL_PORT command.

DESELECT

Terminates the selection of a previously selected window. When the **DESELECT** command is entered after a **MOVE** command, **SHOW CLUSTER** completes the move operation when it deselects the window. See also the **MOVE** and **SELECT** commands for related information.

Format

DESELECT

Parameters

None.

Qualifiers

None.

Example

Command> **DESELECT**

When you sent the **DESELECT** command, the previously selected window is deselected and the window is no longer highlighted.

SHOW CLUSTER EXIT

EXIT

Terminates the **SHOW CLUSTER** display and returns control to the DCL command level. You can also press **Ctrl/Z** to exit at any time.

Format

EXIT

Parameters

None.

Qualifiers

None.

Example

```
COMMAND> EXIT
```

This command terminates the **SHOW CLUSTER** display and returns control to the DCL command level.

HELP

Provides online help information to use **SHOW CLUSTER** commands, parameters, and qualifiers. Press Ctrl/Z to exit.

Format

HELP [keyword . . .]

Parameter

keyword

Specifies the command, parameter, or qualifier for which help information is to be displayed. If you omit the keyword, **HELP** displays a list of available help topics, and prompts you for a particular keyword.

Qualifiers

None.

Examples

1. **COMMAND> HELP INITIALIZE**

This command displays help information about the **SHOW CLUSTER** command **INITIALIZE**.

2. **COMMAND> HELP FIELDS**

This command displays help information about the valid field names that you can specify with the **ADD**, **REMOVE**, and **SET** commands.

SHOW CLUSTER INITIALIZE

INITIALIZE

Resets the display using the original default values for field names, class names, and field widths. It also restores any systems that were removed from the display by the REMOVE SYSTEMS command.

Format

INITIALIZE

Parameters

None.

Qualifiers

None.

Description

The INITIALIZE command resets the SHOW CLUSTER display to its default setting, consisting of the SCS window with data from the SYSTEMS class and the MEMBERS class. The report shows the node name, the software version, and the status of cluster members.

If you save a series of commands in an initialization file, using the SAVE command, SHOW CLUSTER automatically inserts an INITIALIZE command at the beginning of the file. Any command procedure that you build should start with the INITIALIZE command. In this way, you always tailor the display from a known state.

Example

```
COMMAND> INITIALIZE
```

This command resets the current display to the default display and restores any systems that were removed from the display.

MOVE

Moves a selected window to a specified position.

Format

MOVE direction value

Parameters

direction

Specifies the direction in which the window is to be moved. If you do not enter a direction for this parameter, SHOW CLUSTER prompts you for one. You must specify one of the following keywords:

UP
DOWN
RIGHT
LEFT

value

Number of columns or lines the window is to be moved. You must specify a numeric value from 1 to 511. If you do not enter a number for this parameter, SHOW CLUSTER prompts you for one.

Qualifiers

None.

Description

The MOVE command allows you to reposition a window manually on the display screen. With one window in the SHOW CLUSTER display, you can enter MOVE commands directly. However, with multiple windows, you must select the appropriate window (SELECT window-name) before invoking MOVE commands. The MOVE command implicitly disables AUTO_POSITIONING.

To move a selected window, either enter MOVE commands at the command prompt or use the arrow keys defined as MOVE commands. Entering the command SET FUNCTION MOVE redefines the direction keys as MOVE UP 1, MOVE DOWN 1, MOVE RIGHT 1, and MOVE LEFT 1, respectively.

When you enter a MOVE command, the window changes position by column (horizontally), or by line (vertically). An empty frame appears around the new window position. When you are satisfied with the position of the window, enter the DESELECT command, which moves the window to the new position. Entering another SELECT command before the previous window has been deselected also moves the window to its new position.

Note

If you set the function to MOVE, the arrow keys are no longer defined to perform DCL line-mode editing. Only one function can be enabled at a time, using the SET FUNCTION command.

SHOW CLUSTER MOVE

Example

```
Command> SELECT CLUSTER  
Command> MOVE RIGHT 10  
Command> DESELECT
```

The command sequence in this example moves the CLUSTER window 10 columns to the right.

PAN

Exhibits a wide display area, a part at a time, as though being unrolled.

Format

PAN direction value

Parameters

direction

Specifies the direction in which the display is to be panned. If you do not enter a direction for this parameter, SHOW CLUSTER prompts you for one. You must specify one of the following keywords:

UP
DOWN
RIGHT
LEFT

value

Number of columns or lines the display is to be panned. You must specify a numeric value from 1 to 511. If you do not enter a number for this parameter, SHOW CLUSTER prompts you for one.

Qualifiers

None.

Description

The PAN commands rotate the entire display by column (horizontally) and by line (vertically). A portion of the display that extends beyond the limits of the screen can be brought into view.

The display moves in the opposite direction from that specified by the PAN command. In other words, a PAN LEFT 10 command moves the display 10 columns to the right, similar to the effect of panning a camera over a landscape.

To pan the display, either enter PAN commands at the command prompt, or use the arrow keys defined as PAN commands. Entering the command SET FUNCTION PAN redefines the up, down, right, and left arrow keys as PAN UP 1, PAN DOWN 1, PAN RIGHT 1, and PAN LEFT 1, respectively.

Note

If you set the function to PAN, the arrow keys are no longer defined to perform DCL line-mode editing. Only one function can be enabled at a time, using the SET FUNCTION command.

SHOW CLUSTER PAN

Example

```
Command> PAN DOWN 10
```

This command pans the display 10 lines.

REFRESH

Clears the screen, removes extraneous characters, and updates all fields. Pressing Ctrl/W has the same effect as entering REFRESH.

Format

REFRESH

Parameters

None.

Qualifiers

None.

Example

Command> REFRESH

This command clears the screen, removes extraneous characters, and updates all fields.

SHOW CLUSTER REMOVE CIRCUITS

REMOVE CIRCUITS

Removes CIRCUITS class information from the SHOW CLUSTER display.

Format

```
REMOVE CIRCUITS [qualifier[, . . . ]]
```

Parameters

None.

Qualifiers

/TYPE=ALL

Specifies that all types of circuits on each system be removed from the display, including formative, open, and closing circuits. If you specify the REMOVE CIRCUITS command without any qualifiers, all types of circuits are removed from the display by default.

/TYPE=OPEN

/TYPE=NOOPEN

Controls whether open circuits or nonopen circuits are removed from the display.

Description

The REMOVE CIRCUITS command removes CIRCUITS class information from the SHOW CLUSTER display. CIRCUITS class information includes data for all currently enabled fields in the CIRCUITS class.

For a list of valid CIRCUITS class fields, see Table 5–2.

Examples

1. `COMMAND> REMOVE CIRCUITS`

This command removes all currently enabled CIRCUITS class fields from the display.

2. `COMMAND> REMOVE CIRCUITS/TYPE=OPEN`

This command removes all Open circuits from the display.

REMOVE CLUSTER

Removes CLUSTER class information from the SHOW CLUSTER display.

Format

REMOVE CLUSTER

Parameters

None.

Qualifiers

None.

Description

The REMOVE CLUSTER command removes CLUSTER class information from the SHOW CLUSTER display. CLUSTER class information includes data for all currently enabled fields in the CLUSTER class.

For a list of valid CLUSTER class fields, see Table 5–3.

Example

```
COMMAND> REMOVE CLUSTER
```

This command removes all currently enabled CLUSTER class fields from the SHOW CLUSTER display.

SHOW CLUSTER REMOVE CONNECTIONS

REMOVE CONNECTIONS

Removes CONNECTIONS class information from the SHOW CLUSTER display.

Format

```
REMOVE CONNECTIONS [/qualifier[, . . . ]]
```

Parameters

None.

Qualifiers

/NAME=ALL

Removes all connections currently displayed by SHOW CLUSTER. This qualifier allows you to clear the display before adding specific connection information with the command ADD CONNECTIONS/NAME=local-process-name.

/NAME=local-process-name

Specifies the local process name of connections that are to be removed from the display. A local process name appears in the LOC_PROC_NAME field; it can be up to 16 characters in length. If the local process name is abbreviated, SHOW CLUSTER removes all local process names matching the abbreviation.

/TYPE=ALL

Specifies that all types of connections on each circuit be removed from the SHOW CLUSTER display.

/TYPE=OPEN

/TYPE=NOOPEN

Controls whether connections in the open or nonopen state are removed from the SHOW CLUSTER display.

Description

The REMOVE CONNECTIONS command removes CONNECTIONS class information from the SHOW CLUSTER display. CONNECTIONS class information includes data for all currently enabled fields in the CONNECTIONS class.

For a list of valid CONNECTIONS class fields, see Table 5–4.

Examples

1. `COMMAND> REMOVE CONNECTIONS`

This command removes all currently enabled CONNECTIONS class fields from the SHOW CLUSTER display.

2. `COMMAND> REMOVE CONNECTIONS/NAME=(VMS$DISK_CL_DRVR,VMS$TAPE_CL_DRVR)`

This command removes the CONNECTIONS class fields associated with the local process names VMS\$DISK_CL_DRVR and VMS\$TAPE_CL_DRVR from the SHOW CLUSTER display.

SHOW CLUSTER REMOVE CONNECTIONS

3. `COMMAND> REMOVE CONNECTIONS/TYPE=OPEN`

This command removes all Open connections from the SHOW CLUSTER display.

SHOW CLUSTER REMOVE COUNTERS

REMOVE COUNTERS

Removes COUNTERS class information from the SHOW CLUSTER display.

Format

```
REMOVE COUNTERS
```

Parameters

None.

Qualifiers

None.

Description

The REMOVE COUNTERS command removes COUNTERS class information from the SHOW CLUSTER display. COUNTERS class information includes data for all currently enabled fields in the COUNTERS class.

For a list of valid COUNTERS class fields, see Table 5-5.

Example

```
COMMAND> REMOVE COUNTERS
```

This command removes all currently enabled COUNTERS class fields from the SHOW CLUSTER display.

REMOVE CREDITS

Removes CREDITS class information from the SHOW CLUSTER display.

Format

REMOVE CREDITS

Parameters

None.

Qualifiers

None.

Description

The REMOVE CREDITS command removes CREDITS class information from the SHOW CLUSTER display. CREDITS class information includes data for all currently enabled fields in the CREDITS class.

For a list of valid CREDITS class fields, see Table 5–6.

Example

```
COMMAND> REMOVE CREDITS
```

This command removes all currently enabled CREDITS class fields from the SHOW CLUSTER display.

SHOW CLUSTER REMOVE ERRORS

REMOVE ERRORS

Removes ERRORS class information from the SHOW CLUSTER display.

Format

REMOVE ERRORS

Parameters

None.

Qualifiers

None.

Description

The REMOVE ERRORS command removes ERRORS class information from the SHOW CLUSTER display. ERRORS class information includes data for all currently enabled fields in the ERRORS class.

For a list of valid ERRORS class fields, see Table 5–7.

Example

```
COMMAND> REMOVE ERRORS
```

This command removes all currently enabled ERRORS class fields from the SHOW CLUSTER display.

REMOVE (Field)

Disables the display of specific fields of SHOW CLUSTER information.

Format

```
REMOVE field-name[, ... ]
```

Parameter

field-name

Specifies one or more fields of information to be removed from the display of a particular class. If you specify more than one field name, insert a comma between each one.

For a list of valid field names, see Section 5.1.

Qualifiers

None.

Examples

1. `COMMAND> REMOVE SOFTWARE`

This command removes the SYSTEMS class SOFTWARE field from the display.

2. `COMMAND> REMOVE SOFTWARE,RP_TYPE,CON_STATE`

This command removes the SOFTWARE, RP_TYPE, and CON_STATE fields from the SHOW CLUSTER display.

SHOW CLUSTER REMOVE LOCAL_PORTS

REMOVE LOCAL_PORTS

Removes LOCAL_PORTS class information from the SHOW CLUSTER display.

Format

```
REMOVE LOCAL_PORTS
```

Parameters

None.

Qualifiers

None.

Description

The REMOVE LOCAL_PORTS command removes LOCAL_PORTS class information.

For a list of valid LOCAL_PORTS class fields, see Table 5–8.

Example

```
COMMAND> REMOVE LOCAL_PORTS
```

This command removes all currently enabled LOCAL_PORTS class fields from the LOCAL_PORTS display.

REMOVE MEMBERS

Removes MEMBERS class information from the SHOW CLUSTER display.

Format

REMOVE MEMBERS

Parameters

None.

Qualifiers

None.

Description

The REMOVE MEMBERS command removes MEMBERS class information from the SHOW CLUSTER display. MEMBERS class information includes data for all actively participating members of the cluster.

For a list of valid MEMBERS class fields, see Table 5–9.

Example

```
COMMAND> REMOVE MEMBERS
```

This command removes all currently enabled MEMBERS class fields from the SHOW CLUSTER display.

SHOW CLUSTER REMOVE SYSTEMS

REMOVE SYSTEMS

Removes SYSTEMS class information from the SHOW CLUSTER display.

Format

```
REMOVE SYSTEMS [/qualifier[, . . . ]]
```

Parameters

None.

Qualifiers

/ID=ALL

Removes all systems information from the SHOW CLUSTER display. The qualifier clears the display so that you can selectively add systems with the command ADD SYSTEMS/ID=system-id.

/ID=system-id

Specifies, by system identification number, systems to be removed from the SHOW CLUSTER display. The system identification number can be any system identification as displayed in the SYS_ID field of the SYSTEMS class of the CLUSTER report.

The /ID qualifier affects all information displayed about the specified system, not just information in the SYSTEMS class display.

/NODE=ALL

Removes all systems information from the SHOW CLUSTER display. The qualifier clears the display so that you can selectively add systems with the command ADD SYSTEMS/NODE=node-name.

/NODE=node-name

Specifies, by node name, systems to be removed from the SHOW CLUSTER display. The /NODE qualifier affects all information displayed about the specified node, not just information in the SYSTEMS class display.

/TYPE=ALL

Removes all systems information from the SHOW CLUSTER display. The qualifier clears the display so that you can selectively add systems with the command ADD SYSTEMS/TYPE=hardware-type.

/TYPE=hardware-type

Specifies, by hardware type, systems to be added to the SHOW CLUSTER display. You can specify any of the types shown in the HW_TYPE field, and you must enclose the type in quotation marks, for example: "VAX 8800". Because the quoted text may be abbreviated, it is possible, for example, to remove VAXstation II and VAXstation 2000 systems with a single command. Multiple types may be specified if enclosed in parentheses and separated by commas. Hardware types are not case sensitive.

The /TYPE qualifier affects all information displayed about the specified hardware type, not just information in the SYSTEMS class display.

SHOW CLUSTER REMOVE SYSTEMS

Description

The REMOVE SYSTEMS command removes SYSTEMS class information from the SHOW CLUSTER display. SYSTEMS class information includes data for all currently enabled fields in the SYSTEMS class.

For a list of valid SYSTEMS class fields, see Table 5–10.

Examples

1. `COMMAND> REMOVE SYSTEMS`

This command removes all currently enabled SYSTEMS class fields from the SHOW CLUSTER display.

2. `COMMAND> REMOVE SYSTEMS/ID=(1976,206)`

This command removes systems with the identifier of 1976 or 206 from the SHOW CLUSTER display.

3. `COMMAND> REMOVE SYSTEMS/TYPE="VAX 8800"`

This command removes all VAX 8800 systems from the SHOW CLUSTER display.

SHOW CLUSTER SAVE

SAVE

Allows you to build a startup initialization file or a command procedure that creates the current display. You can then use the initialization file or the command procedure to restore the display at a later time.

Format

```
SAVE [file-spec]
```

Parameter

file-spec

Names the file specification of the command file. The file name defaults to SHOW_CLUSTER.COM. You can edit the file because it is an ASCII file.

Qualifiers

None.

Description

The SAVE command allows you to build a startup initialization file or a command procedure that you can use in subsequent SHOW CLUSTER sessions. To use the SAVE command, perform the following steps:

1. Customize the display to meet your needs by using SHOW CLUSTER commands.
2. Enter the SAVE command. By default, the command procedure created is named SHOW_CLUSTER.COM. If you want a name that is different from the default, specify the alternate name on the SAVE command line. You save a startup initialization file as an .INI file.
3. Edit the file to improve its efficiency and document it.

The file that results from the SAVE command is an ASCII file. The SAVE command inserts an INITIALIZE command as the first line of the file. In this way, the initialization file or the command procedure always starts with the default display.

The SAVE command might not enter SHOW CLUSTER commands into the file in the same order in which you entered them. You might need to edit the file and correct the sequence of commands. Also, the commands that the SAVE command builds are restricted to one record, so a particular command procedure might not be as efficient as possible. For example, the SAVE command processes ADD class, ADD class /ALL, and ADD (Field) commands separately. It does not combine an ADD class and an ADD (Field) command to produce the command ADD class, field.

Additionally, the SAVE command does not use the REMOVE (Field) command. For example, the following command sequence adds all fields in the CIRCUITS class and then removes one field from the CIRCUITS class:

```
Command> ADD CIRCUITS/ALL  
Command> REMOVE RP_TYPE
```

SHOW CLUSTER SAVE

Instead of removing one field from a class, the SAVE command produces a file with commands that add every field in the CIRCUITS class except RP_TYPE:

```
ADD LPORT_NAME,RPORT_NUM,RP_OWNER,NUM_CONNECTIONS,CIR_STATE  
ADD REM_STATE,CABLE_STATUS,RP_REVISION,RP_FUNCTIONS,SCS_WAITERS
```

Example

```
Command> ADD CLUSTER  
Command> REMOVE SOFTWARE  
Command> SAVE
```

The first two commands in the command sequence customize the SHOW CLUSTER display. The third command, SAVE, creates a command file, SHOW_CLUSTER.COM, which contains the following commands:

```
INITIALIZE  
ADD CLUSTER  
REMOVE SYSTEMS  
ADD NODE
```

SHOW CLUSTER SCROLL

SCROLL

Scrolls a window.

Format

SCROLL direction value

Parameters

direction

Direction in which a window is to be scrolled. If you do not enter a direction for this parameter, SHOW CLUSTER prompts you for one. You must specify one of the following keywords:

UP
DOWN
RIGHT
LEFT

value

Number of fields or lines a window is to be scrolled. You must specify a numeric value from 1 to 511. If you do not enter a number for this parameter, SHOW CLUSTER prompts you for one.

Qualifiers

None.

Description

The SCROLL command provides a means of quickly scanning through a window by field (horizontally) and by line (vertically). You can scroll windows independently. Note, however, that if AUTO_POSITIONING is set to ON, other windows in the display may change position as you scroll the selected window.

To scroll a window when it is the only one in the display, enter the SCROLL command. When the display has multiple windows, you must first select a window by entering the SELECT command. The selected window becomes highlighted. Enter SCROLL commands either at the command line or by pressing the arrow keys. Entering the command SET FUNCTION SCROLL redefines the up, down, right, and left arrow keys as SCROLL UP 1, SCROLL DOWN 1, SCROLL RIGHT 1, and SCROLL LEFT 1, respectively.

Use the vertical and horizontal lines of the window fields as indicators of the current position of the display. Note that the window headings remain stationary as lines of data are scrolled vertically.

Note

If you set the function to SCROLL, the arrow keys are no longer defined to perform DCL line-mode editing. Only one function can be enabled at a time, using the SET FUNCTION command.

Example

```
Command> SELECT SCS  
Command> SCROLL UP 10  
Command> DESELECT
```

This command sequence scrolls the SCS window up 10 lines.

SHOW CLUSTER SELECT

SELECT

Designates which window to scroll, move, or pan.

Format

```
SELECT [window-name]
```

Parameter

window-name

The name of the selected window. You can specify one of the following window names: SCS, LOCAL_PORTS, or CLUSTER.

Qualifiers

None.

Description

When the SHOW CLUSTER display contains more than one window, you must indicate which window you want to work with—either by entering a SELECT command at the command line prompt or by pressing the SELECT key on the default keypad.

If you press the SELECT key on the keypad or enter the SELECT command without specifying the window name, SHOW CLUSTER selects a window for you. Pressing the SELECT key repeatedly cycles through the windows in the order in which they were initially added to the screen. Each subsequent SELECT command terminates the previous one. The currently selected window becomes highlighted. When the last window in the cycle has been selected, pressing the SELECT key another time begins the cycle again.

Use the SELECT command to identify a window to be moved, panned, or scrolled. Once the display is correct, terminate the window operation by entering a DESELECT command or by selecting another window. For more information, see the SET FUNCTION, SCROLL, PAN, and MOVE commands.

Example

```
Command> SELECT LOCAL_PORTS
```

This command selects the LOCAL_PORTS window. You can then perform a MOVE or SCROLL operation on the selected window.

SET AUTO_POSITIONING

Enables or disables the automatic positioning of windows within a display.

Format

SET AUTO_POSITIONING keyword

Parameter

keyword

Specifies whether windows are automatically positioned in a display. By default, SHOW CLUSTER operates with AUTO_POSITIONING enabled. Valid keywords are as follows:

ON
OFF

Qualifiers

None.

Description

By default, SHOW CLUSTER automatically positions windows based on their sizes and the order in which they were originally added to the display. With AUTO_POSITIONING set to ON, windows do not overlap, but they may extend partially or fully beyond the physical limits of the terminal screen. Setting AUTO_POSITIONING to OFF allows you to position the window manually within the display.

Entering a MOVE command implicitly disables AUTO_POSITIONING. When you use MOVE commands to position a selected window, the windows are allowed to overlap.

Setting AUTO_POSITION to ON reestablishes the previous positions of windows.

Example

```
Command> SET AUTO_POSITIONING OFF
Command> ADD LOCAL_PORTS
Command> SELECT SC5
Command> MOVE DOWN 8
Command> DESELECT
```

This command sequence disables AUTO_POSITIONING to add the LOCAL_PORTS window at the top of the screen. The following commands move the SC5 window below the LOCAL_PORTS window, where it is in full view.

SHOW CLUSTER SET (Field)

SET (Field)

Modifies the characteristics of particular fields within the display.

Format

SET field-name /qualifier[, . . .]

Parameter

field-name

Specifies the name of the field to be modified in the display. For a list of field names, see Section 5.1.

Qualifiers

/WIDTH=field-width

Specifies the number of columns used to display the specified field. This qualifier shrinks the display to allow room for more fields or expands it to make it easier to read.

Minimum, maximum, and default values for field widths are set up internally. If you specify a field width of 0, the field is set to its minimum width. If you specify a field width that is larger than the internal maximum width, the field is set to its maximum width.

Note

If the field width is too narrow to display a particular numeric field, asterisks are displayed in place of the data. If the width is too narrow to display a character-string field, the character string is truncated on the “right”.

/FORMAT=radix

Specifies the display format used to display the specified field. You can specify either of the following radix values:

DECIMAL for decimal format

HEXADECIMAL for hexadecimal format

A hexadecimal display for a field uses fewer columns than a decimal display.

The hardware version field (HW_VERSION) is always displayed in 24 hexadecimal digits.

Example

```
COMMAND> SET SYSID/FORMAT=HEXADECIMAL
```

The SET command in this example changes the format of the SYSID field to a hexadecimal display.

SET FUNCTION

Enables one of the following SHOW CLUSTER functions: EDIT, MOVE, PAN, or SCROLL.

Format

SET FUNCTION function-name

Parameter

function-name

Specifies the SHOW CLUSTER function to be enabled. By default, the EDIT function is enabled. Functions include the following ones:

EDIT
MOVE
PAN
SCROLL

Qualifiers

None.

Description

The SET FUNCTION command redefines the arrow keys to perform the specified function. By default, the function is set to EDIT, which allows you to use the arrow keys to recall a previously entered command or perform DCL line-mode editing at the command prompt. (Refer to the *OpenVMS User's Manual* for more information about DCL line-mode editing.)

To enable one of the SHOW CLUSTER functions, either enter the specific SET FUNCTION command at the command prompt, or press the appropriate SET FUNCTION key on the keypad. Only one function can be enabled at a time.

Note

Setting the function to MOVE implicitly disables AUTO_POSITIONING.

Also, once you use the SET FUNCTION command, the arrow keys are no longer defined to perform DCL line-mode editing. Only one function can be enabled at a time using the SET FUNCTION command.

Example

```
Command> SET FUNCTION MOVE
```

This command redefines the arrow keys to automatically move a selected window 1 space in any direction. For example, the up, down, right, and left arrow keys are redefined as MOVE UP 1, MOVE DOWN 1, MOVE RIGHT 1, and MOVE LEFT 1, respectively. Note that you must use the DESELECT command to complete the MOVE function.

SHOW CLUSTER SET INTERVAL

SET INTERVAL

Changes the interval time between display updates. The interval time is the amount of time that display information remains on the screen before it is updated. By default, the display updates every 15 seconds, unless you use the /INTERVAL qualifier on the SHOW CLUSTER command. If you use the /INTERVAL qualifier, the time specified becomes the default.

Format

SET INTERVAL=seconds

Parameter

seconds

The number of seconds between display updates.

Qualifiers

None.

Example

```
COMMAND> SET INTERVAL=5
```

This command changes the display interval time to 5 seconds.

SET SCREEN

Sets the terminal to a display of up to 511 columns. This command can be used only on HP-compatible terminals.

Format

SET SCREEN=screen-width

Parameter

screen-width

Specifies the width of the screen display. Depending on terminal type, you can specify a value up to 511.

Qualifiers

None.

Description

The SET SCREEN command redefines the width of the display to the number of columns that you specify.

If you use an initialization file in noncontinuous mode and the initialization file contains a SET SCREEN command that changes the screen size, SHOW CLUSTER sets the screen to the specified size for one update interval and then resets the screen to the original size.

Example

```
COMMAND> SET SCREEN=132
```

This command sets the screen width to 132 columns.

SHOW CLUSTER WRITE

WRITE

Outputs the current display to a file that can be printed on a hardcopy device.

Format

WRITE [file-spec]

Parameter

file-spec

Names the file specification of the printable output file. By default, the output file name is SHOW_CLUSTER.LIS.

Qualifiers

/ALL

Indicates that the output file should contain a display consisting of all classes and all fields. Because SHOW CLUSTER may not currently have the information necessary to display all the possible fields when you specify the /ALL qualifier, a display update occurs prior to the output of the file. As a result, the output file may differ from the display on the screen at the time the command was entered. The screen is updated along with the file output, so subsequently they are the same.

When reporting a cluster-related problem to HP, use the /ALL qualifier to produce an output or hardcopy file.

Example

Command> WRITE/ALL

This command creates a file, SHOW_CLUSTER.LIS, which contains all possible SHOW CLUSTER fields. SHOW_CLUSTER.LIS can be printed on a hardcopy device.

System Generation Utility

6.1 SYSGEN Description

The System Generation utility (SYSGEN) is a system management tool used to tailor a system for a specific hardware and software configuration. Use SYSGEN commands to manipulate specific parts of the operating system, as follows:

- System parameters: DISABLE, ENABLE, SET, SHOW, USE, and WRITE.
- Devices and device drivers: SHOW/CONFIGURATION, SHOW/DEVICE, SHOW/DRIVER, SHOW/TURBOCHANNEL, and SHOW/UNIBUS.

The SYSGEN device table in Appendix D lists characteristics of HP devices that SYSGEN configures automatically.

A complete description of devices and device drivers is in the *OpenVMS VAX Device Support Manual*. (This manual has been archived but is available on the OpenVMS Documentation CD-ROM.)

- System files: CREATE and INSTALL.
- Startup command procedure: SET/STARTUP and SHOW/STARTUP.
- Multiport memory: SHARE and SHARE/INITIALIZE.

You can use a subset of the SYSGEN commands to invoke the SYSBOOT facility during bootstrap operations. Refer to the installation instructions for your processor and the *HP OpenVMS System Manager's Manual* for more information.

6.1.1 Specifying Values for SYSGEN Qualifiers and Parameters

Normally, you specify values as an integer, keyword, or file specification. For parameters, integer values must be within the defined maximum and minimum values for the parameter unless the SYSGEN command DISABLE CHECKS was specified.

You can specify values for certain SYSGEN qualifiers and parameters in hexadecimal or octal radices and for others as an ASCII string. To specify a value in octal or hexadecimal, precede the value with %O or %X, respectively. To specify a value in ASCII, enclose the value string in quotation marks (" ").

Appendix C lists system parameters.

6.1.2 Using Active and Current Parameter Values

System parameter values can be either active or current:

- An **active parameter** is one whose value is active when the system is running. Active parameters that can be changed on a running system are categorized as dynamic parameters. (See Appendix C.)
- A **current parameter** is one whose value is stored on disk (SYS\$SYSTEM:VAXVMSSYS.PAR on VAX systems or SYS\$SYSTEM:ALPHAVMSSYS.PAR on Alpha systems) and used for booting the system. Current parameters become active parameters when the system boots.

Modifying active parameters with SYSGEN has no effect on the values of the stored current parameters; you change the values of these parameters only while the system is running. In a subsequent bootstrap of the system, the old values of the current parameters are established as the active parameters. To change the values of the current parameters on disk, use the SYSGEN command WRITE CURRENT. To change the values of any active parameter that is not

SYSGEN

6.1 SYSGEN Description

in the dynamic category, enter the WRITE CURRENT command and reboot the system.

6.2 SYSGEN Usage Summary

The System Generation utility (SYSGEN) is a system management tool that performs certain privileged system configuration functions. With SYSGEN, you can create and modify system parameters, load device drivers, and create additional page and swap files.

Format

RUN SYS\$SYSTEM:SYSGEN

Parameters

None.

Description

To invoke SYSGEN, enter RUN SYS\$SYSTEM:SYSGEN at the DCL command prompt. At the SYSGEN> prompt, enter any of the SYSGEN commands described in the following section. These commands follow the standard rules of grammar as specified in the *HP OpenVMS DCL Dictionary*.

To exit from SYSGEN, enter the EXIT command at the SYSGEN> prompt or press Ctrl/Z. You can direct output from a SYSGEN session to an output file using the SET/OUTPUT command. By default, output is written to SYS\$OUTPUT.

Note

HP recommends the use of the AUTOGEN command procedure when modifying system parameters, loading device drivers, or creating additional page and swap files.

6.3 SYSGEN Commands

This section describes and provides examples of SYSGEN commands.

AUTOCONFIGURE (VAX Only)

On VAX systems, automatically connects devices that are physically attached to the system and loads their drivers. On Alpha systems, use the SYSMAN command IO AUTOCONFIGURE.

Use of the AUTOCONFIGURE command requires the CMKRNL privilege.

Format

AUTOCONFIGURE adapter-spec

AUTOCONFIGURE ALL

Parameter

adapter-spec

Specifies the adapter specification (backplane interconnect arbitration line) or slot number of the single UNIBUS or MASSBUS adapter that is to be configured. The adapter specification can be expressed as an integer or with one of the names listed by the SYSGEN command SHOW/ADAPTER.

You can specify AUTOCONFIGURE ALL to configure all standard devices attached to the system.

Caution

If you use the AUTOCONFIGURE ALL command on a running system with active UNIBUS or Q-bus devices, it could result in unpredictable behavior.

Qualifiers

/EXCLUDE=(device-name[,...])

Specifies the device types that you do not want automatically configured.

You can specify a device-type code as shown in Table 6-1 or a standard device name as shown in Appendix D. You can include a controller designation but not a unit number. If the controller designation is omitted, all devices of the specified type are excluded. The device-name specification defaults to all devices on the adapter. Do not use this qualifier with the /SELECT qualifier.

/LOG

Produces a display of the controller and its units on the current SYS\$OUTPUT device after they have been successfully autoconfigured. Each controller and its associated units are displayed only after AUTOCONFIGURE has found the next controller. Therefore, the error message displays precede the display of the controller and units that caused the error.

/SELECT=(device-name[,...])

Specifies the device types that you want automatically configured.

SYSGEN AUTOCONFIGURE (VAX Only)

You can specify a device-type code as shown in Table 6–1 or a standard device name as shown in Appendix D. You can include a controller designation but not a unit number. If the controller designation is omitted, all devices of the specified type are selected. The device-name specification defaults to all devices on the adapter.

Do not use /SELECT with the /EXCLUDE qualifier.

Table 6–1 Device Type Codes

Code	Device Type
CR	Card Reader
CS	Console Storage Device
DB	RP05, RP06 Disk
DD	TU58 Cartridge Tape
DJ	RA60 Disk
DL	RL02 Cartridge Disk
DM	RK06, RK07 Cartridge Disk
DQ	RL02 Cartridge Disk, R80 Disk
DR	RM03, RM05, RM80, RP07 Disk
DU	UDA Disk
DX	RX01 Diskette
DY	RX02 Diskette
LA	LPA11–K Laboratory Peripheral Accelerator
LC	Line Printer on DMF32
LP	Line Printer on LP11
MB	Mailbox
MF	TU78 Magnetic Tape
MS	TS11 Magnetic Tape
MT	TE16, TU45, TU77 Magnetic Tape
MU	Tape Class Driver
NET	Network Communications Logical Device
NL	System “Null” Device
OP	Operator’s Console
PA	Computer Interconnect
PT	TU81 Magnetic Tape
PU	UDA-50
RT	Remote Terminal
TT	Interactive Terminal on DZ11
TX	Interactive Terminal on DMF32, DMZ32, DHU11, or DMB32
XA	DR11–W General-Purpose DMA Interface
XD	DMP–11 Synchronous Communications Line
XF	DR32 Interface Adapter

(continued on next page)

Table 6-1 (Cont.) Device Type Codes

Code	Device Type
XG	DMF32 Synchronous Communications Line
XI	DR Interface on DMF32
XJ	DUP11 Synchronous Communications Line
XM	DMC11 Synchronous Communications Line

Examples

1. SYSGEN> AUTOCONFIGURE ALL
This command automatically configures all standard devices.
2. SYSGEN> AUTOCONFIGURE ALL/SELECT=(TT,MTA,LP)
This command automatically configures all terminals, all magnetic tape units on controller A, and all line printers.
3. SYSGEN> AUTOCONFIGURE ALL/EXCLUDE=XM
This command shows the use of the /EXCLUDE qualifier to autoconfigure all but the DMC11 devices, assuming DECnet will not be operating on this system.

SYSGEN CONFIGURE (VAX Only)

CONFIGURE (VAX Only)

On VAX systems, requests UNIBUS device names and issues the set of control and status register (CSR) and vector addresses that AUTOCONFIGURE will use.

Format

CONFIGURE

Parameters

None.

Qualifiers

/INPUT=file-spec

Specifies the name of an input file from which previously prepared data is read. By default, input data is read from SYS\$INPUT.

/OUTPUT=file-spec

Specifies the name of an output file to which output from CONFIGURE is written. By default, output is directed to SYS\$OUTPUT. The default file type is .LIS.

/RESET

/NORESET

Controls whether controller names are reset. The /NORESET qualifier is useful with multiple UNIBUS systems. When you specify /NORESET, you do not need to specify the second parameter (*p*) on subsequent CONFIGURE commands, because the controller names are not reset. By default, if you omit /NORESET, the controller names are reset.

Description

The CONFIGURE command issues the following prompt:

```
DEVICE>
```

Input should be in the following form, where input to the prompt is *controller*:

```
controller[[,n],p]
```

Possible controller names are listed in the second column in Table D-1. You cannot abbreviate controller names.

You can optionally specify *n*, the number of devices on the UNIBUS being configured, and *p*, the optional number of devices on all previous UNIBUS devices in a multiple UNIBUS system. Note that *p* affects only the device names, not the addresses generated. By default, *n* is 1 and *p* is 0.

SYSGEN continues to prompt for devices until you enter Ctrl/Z. SYSGEN then displays the CSR and vector addresses for the devices specified.

Note that CONFIGURE does not look at the actual hardware configuration of the system. Rather, CONFIGURE determines which CSR and vector addresses AUTOCONFIGURE would use if the specified hardware was installed.

Example

```
SYSGEN> CONFIGURE  
DEVICE> DZ11,3,2  
DEVICE> LP11  
DEVICE> DMC11,2  
DEVICE> Ctrl/Z
```

The system displays the following data:

```
Device: RK611 Name: DMA CSR: 777440 Vector: 210 Support: yes  
Device: LP11 Name: LPA CSR: 777514 Vector: 200 Support: yes  
Device: DMC11 Name: XMA CSR: 760070* Vector: 300* Support: yes  
Device: DMC11 Name: XMB CSR: 760100* Vector: 310* Support: yes  
Device: DZ11 Name: TTC CSR: 760120* Vector: 320* Support: yes  
Device: DZ11 Name: TTD CSR: 760130* Vector: 330* Support: yes  
Device: DZ11 Name: TTE CSR: 760140* Vector: 340* Support: yes
```

* Indicates a floating address.

In this example, the CONFIGURE command calculates the UNIBUS CSR and vector addresses. The support field in the display indicates whether HP includes the supported driver for this device with the operating system.

For a description of floating addresses referred to in the example, see Appendix D.

SYSGEN CONNECT (VAX Only)

CONNECT (VAX Only)

On VAX systems, creates I/O data base control blocks for additional devices. Also loads the appropriate driver if it is not currently loaded. This is usually used to add nonstandard devices and I/O drivers to a system. Requires the CMKRNL privilege.

On Alpha systems, use the SYSMAN command IO CONNECT.

Note

Be very careful when issuing a CONNECT command because the system does little error-checking. A misspelled device name, for example, will damage the I/O database and could cause the system to fail.

Format

```
CONNECT device-name/[NO]ADAPTER=adapter-spec/CSR=aaaa/VECTOR=nn
CONNECT CONSOLE [/REMOTE]
```

Parameters

device-name

Specifies the name of the device for which control blocks are to be added to the I/O database, and has the following format:

devcu

where:

dev is the device-type

c is the controller

u is the unit

For example, LPA0 specifies the line printer (LP) on controller A at unit number 0. When specifying the device name, do not follow it with a colon (:).

CONSOLE

Loads and connects the console block storage device driver. The console device name is typically CSA1 but can vary depending on the system type.

Qualifiers

/ADAPTER=adapter-spec

/NOADAPTER

Specifies the nexus number (SBI arbitration line) or slot number of the adapter to which the device is connected. The nexus number can be found by using the SYSGEN command SHOW/ADAPTER or SHOW/BUS.

/NOADAPTER specifies that the I/O driver does not handle a physical device, rather it is a pseudo or test device driver.

Caution

The system does not perform complete error checking on the CONNECT/ADAPTER=adapter-spec command. An incorrect vector

address or misspelled device name, for example, can damage the I/O database and usually causes the system to fail. The *OpenVMS VAX Device Support Manual* has more information about loading device drivers and connecting devices. (This manual has been archived but is available on the OpenVMS Documentation CD-ROM.)

/ADPUNIT=unit-number

Specifies the unit number of a device on the MASSBUS adapter. The unit number for a disk drive is the number of the plug on the drive. For magnetic tape drives, the unit number corresponds to the tape controller's number.

/CSR=csr-addr

Specifies the UNIBUS address of the first addressable location on the controller (usually the status register) for the device. This qualifier must be specified for UNIBUS devices. For devices on multiple device boards (for example, the DMF32), the address must be the control and status register (CSR) address specified in the output of the CONFIGURE command. To specify the address in octal or hexadecimal, precede the address with %O or %X, respectively.

/CSR_OFFSET=value

For devices on multiple device boards, specifies the offset from the CSR address of the multiple device board to the CSR address for the specific device being connected. To specify the address in octal or hexadecimal, precede the address with %O or %X, respectively.

/DRIVERNAME=driver

Specifies the name of the driver as recorded in the prolog table. If the driver has not been loaded, the system acts as if the driver name is also the name of an executable image (file type .EXE) in the SYS\$LOADABLE_IMAGES directory and loads the driver. The driver name defaults to the first two characters of the device name concatenated with "DRIVER" (for example, LPDRIVER).

/MAXUNITS=max-unit-cnt

Specifies the maximum number of units the controller can support (that is, the number of UCB slots in the IDB). The default is the number specified in the prolog table of the driver, or 8 if the number is not specified in the prolog table.

/NUMVEC=vector-cnt

Specifies the number of interrupt vectors for the device. By default, the vector count is 1.

/REMOTE

Enables a remote diagnostic port for a second console or terminal connected to a VAX 8600.

/SYSIDHIGH=value

Specifies the high-order 16 bits of the 48-bit system identification number and must be 0. To specify the value in octal or hexadecimal, precede the value with %O or %X, respectively.

/SYSIDLOW=value

Specifies the low-order 32 bits of the 48-bit system identification number. The value must be identical to the DECnet node number. To specify the value in octal or hexadecimal, precede the value with %O or %X, respectively.

SYSGEN CONNECT (VAX Only)

/VECTOR=vector-addr

Specifies the UNIBUS address of the interrupt vector for the device or the lowest vector, if more than one exists. This qualifier must be specified for UNIBUS devices. For devices on multiple device boards (for example, the DMF32), the address must be the interrupt vector address for the multiple device board specified in the output of the CONFIGURE command. To specify the address in octal or hexadecimal, precede the address with %O or %X, respectively.

/VECTOR_OFFSET=value

For devices on multiple device boards, specifies the offset from the interrupt vector address of the multiple device board to the interrupt vector address for the specific device being connected. To specify the address in octal or hexadecimal, precede the address with %O or %X, respectively.

Examples

1. SYSGEN> CONNECT LPA0/ADAPTER=3/CSR=%0777514 -
SYSGEN> /DRIVERNAME=LP2DRIVER/VECTOR=%0200

This command connects the device named LPA0 to the driver named LP2DRIVER and loads the driver if it is not already loaded.

2. SYSGEN> CONNECT NET/NOADAPTER/DRIVER=NETDRIVER

This command connects the device named NET to the driver NETDRIVER and loads the driver if it is not already loaded.

CREATE

Creates a file that can be used as a page, swap, or dump file. Normally, this command is used indirectly by executing the command procedure SYS\$UPDATE:SWAPFILES.

Format

CREATE file-spec

Parameter

file-spec

The name of the file to be created.

Qualifiers

/CONTIGUOUS**/NOCONTIGUOUS**

Specifies that the created file is either to be contiguous (/CONTIGUOUS) or contiguous-best-try (/NOCONTIGUOUS). The Primitive File System used during OpenVMS bootstrap limits the page, swap, and dump files to one file header. Because of this restriction, OpenVMS cannot be reliably bootstrapped from a bound volume set and is not supported on a bound volume set.

/SIZE=block-count

Specifies the size in blocks of the file to be created.

Example

```
SYSGEN> CREATE DISK$PAGE:[NODE1]PAGEFILE.SYS /SIZE=200000
```

This command creates a file called PAGEFILE.SYS on the disk DISK\$PAGE: in directory [NODE1]. This file is created as a contiguous-best-try file, which is the default. SYSGEN creates the file with 200,000 blocks, or allocates as many blocks on the disk as it can and displays a message warning that the file does not have the full allocation specified with the CREATE command.

The file will not be used for paging or swapping until you use the SYSGEN command INSTALL specifying the file and how it is to be used.

SYSGEN DEINSTALL

DEINSTALL

Deinstalls a page or swap file. Requires CMKRNL privilege. Any file installed with the SYSGEN command INSTALL can be deinstalled.

If the specified file is being actively used by processes, this command simply marks the file as "deinstall pending". This prevents any new assignments or reservations to the file from occurring. When all outstanding references to the file have been removed, the deinstallation will complete.

Files in the deinstall pending state are identified in the DCL command SHOW MEMORY/FILES display.

Format

DEINSTALL file-spec
DEINSTALL/ALL
DEINSTALL/INDEX=n

Parameter

file-spec

Specifies the name of a file that is to be deinstalled as a page or swap file.

Qualifiers

/PAGEFILE

Specifies that the file to be deinstalled is a page file.

/SWAPFILE

Specifies that the file to be deinstalled is a swap file.

/ALL

Deinstalls all page and swap files currently installed on the system. This command is most useful during an orderly system shutdown procedure where all disk volumes are being dismounted.

No other parameters or qualifiers are allowed.

/INDEX=n

Deinstalls a page or swap file specified by page file index. The page file index is presented in the DCL command SHOW MEMORY/FILES/FULL display as "Page File Number."

No other parameters or qualifiers are allowed.

Example

```
SYSGEN> DEINSTALL DRA1:[SYSEXE]PAGEFILE.SYS /PAGEFILE
```

DISABLE

Inhibits the checking that SYSGEN performs on parameter values. By default, range checking is enabled.

Format

DISABLE CHECKS

Parameters

None.

Qualifiers

None.

SYSGEN ENABLE

ENABLE

Requests that SYSGEN ensure that parameter values changed using the SET command remain in the allowable range. By default, the range checking is enabled.

Format

ENABLE CHECKS

Parameters

None.

Qualifiers

None.

INSTALL

Installs an additional page or swap file. Requires CMKRNL privilege.

Format

INSTALL file-spec

Parameter

file-spec

Specifies the name of a file that is to be installed as a page or swap file. This file can reside on any volume that is mounted /SYSTEM. The file should be contiguous for best performance.

Qualifiers

/PAGEFILE

Specifies that the file is to be installed as an additional page file. This page file will augment any page file installed during the boot process.

/SWAPFILE

Specifies that the file is to be installed as an additional swap file. This swap file will augment any swap file installed during the boot process.

Example

```
SYSGEN> INSTALL DRA1:[SYSEXE]PAGEFILE.SYS /PAGEFILE
```

SYSGEN LOAD (VAX Only)

LOAD (VAX Only)

On VAX systems, loads an I/O driver. On Alpha systems, use the SYSMAN command IO LOAD.

Use of the LOAD command requires the CMKRNL privilege.

Note

Be very careful when issuing a LOAD command because the system does little error-checking.

Format

LOAD file-spec

Parameter

file-spec

Specifies the file specification of the driver image to be loaded. This parameter is required.

If the entire file specification is the same as that of a driver already loaded, no load takes place. If only the file name is the same as that of a driver already loaded (but the file specification is different), the driver specified replaces the driver previously specified; that is, the existing driver.

The default file type is .EXE.

Description

Refer to the *OpenVMS VAX Device Support Manual* for a complete description of the LOAD command. (This manual has been archived but is available on the OpenVMS Documentation CD-ROM.)

Example

```
SYSGEN> LOAD SYS$SYSTEM:RTTDRIVER
```

This command loads the standard driver for a remote terminal.

RELOAD (VAX Only)

On VAX systems, replaces a loaded device driver with a new version.

Use of the RELOAD command requires the CMKRNL privilege.

Format

RELOAD file-spec

Parameter

file-spec

The file specification of the new driver image. The default file type is .EXE. The specified image is loaded and replaces any existing driver with the same file specification.

Qualifiers

None.

Description

Refer to the *OpenVMS VAX Device Support Manual* for a complete description of the RELOAD command. (This manual has been archived but is available on the OpenVMS Documentation CD-ROM.)

Example

```
SYSGEN> RELOAD SY$$SYSTEM:RTTDRIER
```

This command reloads the remote terminal driver.

SYSGEN SET

SET

Assigns a value to a system parameter in the SYSGEN work area.

This command does not modify parameter files, the current system parameter file on disk, or the active system; for information about performing these modifications, see the WRITE command.

Format

```
SET parameter-name value
```

Parameters

parameter-name

Specifies the name of a system parameter. If you enter a period (.), it is interpreted as a request for the system parameter specified in the last SET or SHOW command. See the description of the SHOW parameter-name command for an example of the use of the period in place of a parameter name.

value

Usually specifies an integer or the keyword DEFAULT. Integer values must be within the defined minimum and maximum values for the parameter unless the SYSGEN command DISABLE CHECKS was specified.

The keyword DEFAULT specifies the default value for the parameter. You can display the maximum, minimum, and default values for any parameter with the SYSGEN command SHOW parameter-name.

You can specify values for certain SYSGEN parameters in hexadecimal or octal radices and for others as an ASCII string. To specify a value in octal or hexadecimal, precede the value with %O or %X, respectively. To specify a value in ASCII, enclose the value string in quotation marks (" ").

Qualifiers

None.

Examples

1. SYSGEN> SET PFCDEFAULT 20

This command assigns a value of 20 to the PFCDEFAULT parameter.

2. SYSGEN> SET GBLSECTIONS DEFAULT

This command assigns the default value (40) to the GBLSECTIONS parameter.

SET/OUTPUT

Establishes a file to be used for output during the session. By default the output is written to SYS\$OUTPUT, but you can use SET/OUTPUT to designate a disk file.

At any time you can direct the output back to SYS\$OUTPUT by using the SET/OUTPUT=SYS\$OUTPUT command.

Format

SET/OUTPUT[=] file-spec

Parameter

file-spec

The name of the output file. The default file type is .LIS. The equal sign (=) is optional.

Example

```
SYSGEN> SET/OUTPUT=PARAMS.LIS
SYSGEN> SHOW/ALL
SYSGEN> SHOW/SPECIAL
SYSGEN> EXIT
```

In this example, output is directed to the file PARAMS.LIS to capture a complete list of all the system parameters (including the SPECIAL parameters reserved for HP use) and their values.

SYSGEN SET/STARTUP

SET/STARTUP

Names the site-independent startup command procedure to be associated with a parameter file for subsequent bootstrap operations.

Format

SET/STARTUP file-spec

Parameter

file-spec

The file specification of a startup command procedure on the system disk (maximum of 31 characters). The initial site-independent startup command procedure (as named in the software distribution kit) is SYS\$SYSTEM:STARTUP.COM.

Example

```
SYSGEN> SET/STARTUP SYS$SYSTEM:XSTARTUP.COM
```

This command assigns SYS\$SYSTEM:XSTARTUP.COM as the current site-independent startup command procedure.

SHARE (VAX Only)

On VAX systems, connects a processor to a multiport memory unit already initialized by this or another processor. The number and name of the specified multiport memory unit must be those of an initialized unit, or an error condition results.

Use of the SHARE command requires the CMKRNL privilege.

Format

```
SHARE MPMn MPM-name
```

Parameters

MPMn

Specifies the number on the front panel of the multiport memory unit being connected.

MPM-name

Specifies the name of the multiport memory unit as indicated in a previous SHARE/INITIALIZE command.

Qualifiers

/MAXCEFCLUSTERS=max-cef

Specifies the maximum number of common event flag clusters that the processor can create in the multiport memory unit. The default is no limit.

/MAXGBLSECTIONS=max-gbl

Specifies the maximum number of global sections that the processor can create in the multiport memory unit. The default is no limit.

/MAXMAILBOXES=max-mail

Specifies the maximum number of mailboxes the processor can create in the multiport memory unit. The default is no limit.

Example

```
SYSGEN> SHARE MPM1 SHR_MEM_1
```

This command connects a multiport memory unit. Because no qualifiers are specified, defaults apply to all the parameters.

The unit with a 1 on the front panel must be initialized with the name SHR_MEM_1 for the command to work.

SYSGEN SHARE/INITIALIZE (VAX Only)

SHARE/INITIALIZE (VAX Only)

On VAX systems, initializes a multiport memory unit and connects it to the processor on which SYSGEN is running.

Use of the SHARE/INITIALIZE command requires the CMKRNL privilege.

Format

SHARE/INITIALIZE MPMn MPM-name

Parameters

MPMn

Specifies the number on the front panel of the multiport memory unit being connected.

MPM-name

Specifies the name by which the multiport memory unit is to be known to systems using it. The MPM-name is a 1 to 15 alphanumeric character string that may contain dollar signs (\$) and underscores (_).

Qualifiers

/CEFCLUSTERS=cef

Specifies the total number of common event flag clusters permitted in the multiport memory unit. The *cef* value is an integer with a default of 32.

/GBLSECTIONS=gbl

Specifies the total number of global sections permitted in the multiport memory unit. The *gbl* value is an integer with a default of 32.

/MAILBOXES=mail

Specifies the total number of mailboxes permitted in the multiport memory unit. The *mail* value is an integer with a default of 32.

/MAXCEFCLUSTERS=max-cef

Specifies the maximum number of common event flag clusters that the processor can create in the multiport memory unit. The default is no limit.

/MAXGBLSECTIONS=max-gbl

Specifies the maximum number of global sections that the processor can create in the multiport memory unit. The default is no limit.

/MAXMAILBOXES=max-mail

Specifies the maximum number of mailboxes the processor can create in the multiport memory unit. The default is no limit.

/POOLBCOUNT=block-cnt

Specifies the number of blocks allocated to the multiport memory unit's dynamic pool. The *block-cnt* value is an integer with a default of 128.

/POOLBSIZE=block-size

Specifies the size of each block in the dynamic pool. The *block-size* value is an integer with a default of 128 bytes.

/PRQCOUNT=prq-cnt

Specifies the number of interprocessor request blocks (PRQs) allocated. The *prq-cnt* value is an integer with a default of 64.

Description

If the specified multiport memory unit is already initialized and connected to other active processors, the *gbl*, *mail*, *cef*, *block-cnt*, *block-size*, and *prq-cnt* parameter values are ignored, and the unit is simply connected to the processor.

Example

```
SYSGEN> SHARE MPM1 SHR_MEM_1/INITIALIZE -  
SYSGEN> /GBLSECTIONS=128/MAILBOXES=64/CEFCLUSTERS=0
```

This command initializes a multiport memory unit with defaults on all but the *gbl*, *mail*, and *cef* parameters. In this example, assume that the number of the multiport memory unit as it appears on the front panel is 1, and the unit name is SHR_MEM_1.

SYSGEN SHOW

SHOW

Displays the values of system parameters in the SYSGEN work area, plus the default, minimum, and maximum values of the parameters and their units of measure.

Format

SHOW parameter-name

Parameter

parameter-name

Specifies the name of a system parameter. If you enter a period (.), it is interpreted as a request for the system parameter specified in the last SET parameter-name or SHOW parameter-name command.

Qualifiers

/ACP

Specifies that all ACP parameter values are displayed.

/ALL

Specifies that all parameter values other than SPECIAL parameter values are displayed.

/BI

Specifies that device addresses that are currently mapped in the I/O space for the VAXBI bus are displayed.

/CLUSTER

Specifies that all CLUSTER parameter values are displayed.

/DYNAMIC

Specifies that all DYNAMIC parameter values are displayed.

/GEN

Specifies that all GEN parameter values are displayed.

/HEX

Specifies that the values of parameters be displayed in hexadecimal representation. Specify the /HEX system parameter name or the parameter type. If you specify the /HEX qualifier with the /NAMES qualifier, /HEX is ignored.

/JOB

Specifies that all JOB parameter values are displayed.

/LGI

Specifies that all LGI parameter values are displayed.

/MAJOR

Specifies that all MAJOR parameter values are displayed.

/MULTIPROCESSING

Specifies that all MULTIPROCESSING parameters are displayed.

/NAMES

Specifies that the names of all parameters are displayed.

/PQL

Specifies that all PQL parameter values are displayed.

/RMS

Specifies that all RMS parameter values are displayed.

/SCS

Specifies that all SCS parameter values are displayed.

/SPECIAL

Specifies that all parameter values reserved for HP use are displayed.

/STARTUP

Specifies that the name of the current site-independent startup command procedure is displayed.

/SYS

Specifies that all SYS parameter values are displayed.

/TTY

Specifies that all terminal parameter values are displayed.

/XMI[=BIindex]

Specifies that device addresses that are currently mapped in the I/O space for the XMI bus are displayed. The /XMI qualifier also displays node and nexus numbers and generic names of all processors, adapters, VAXBI adapters, memory controllers, and interconnection devices such as the NI.

Use of the SHOW/XMI=BIindex command requires the CMEXEC privilege.

Description

Parameter values are displayed in decimal unless the /HEX qualifier is specified. Note that ASCII values are displayed in ASCII by default.

When parameter names are abbreviated on a VAX platform, the first parameter matching the abbreviation is selected for display. No ambiguity checks are made. On an Alpha platform, all parameters whose names match the abbreviation are printed.

For example, a specification of SHOW GBL on a VAX system displays only the GBLSECTIONS parameter. To display the GBLPAGFIL parameter, you must specify SHOW GBLPAGF (to avoid further ambiguity with the GBLPAGES parameter). On an Alpha system, the same SHOW GBL command displays GBLSECTIONS, GBLPAGES, and GBLPAGFIL.

You can enter a period (.) to indicate that you want to work with the system parameter that was specified in the last SET parameter-name or SHOW parameter-name command.

SYSGEN SHOW

Examples

1. SYSGEN> SHOW GBLSECTIONS

Parameter Name	Current	Default	Minimum	Maximum	Unit	Dynamic
GBLSECTIONS	100	40	20	-1	Sections	

SYSGEN> SET . 110

SYSGEN> SHOW .

Parameter Name	Current	Default	Minimum	Maximum	Unit	Dynamic
GBLSECTIONS	110	40	20	-1	Sections	

In this example, the user first displays the values of the GBLSECTIONS parameter and then refers to the parameter with a period to set its current value to 110. The next SHOW command also uses the period notation to obtain confirmation that the change occurred.

2. SYSGEN> SHOW/ACP

On a VAX system, the command in this example produces the following output:

Parameters in use: Active

Parameter Name	Current	Default	Minimum	Maximum	Unit	Dynamic
ACP_MULTIPLE	0	1	0	1	Boolean	D
ACP_SHARE	1	1	0	1	Boolean	
ACP_MAPCACHE	52	8	1	-1	Pages	D
ACP_HDRCACHE	138	128	2	-1	Pages	D
ACP_DIRCACHE	138	80	2	-1	Pages	D
ACP_DINDXCACHE	37	25	2	-1	Pages	D
ACP_WORKSET	0	0	0	-1	Pages	D
ACP_FIDCACHE	64	64	0	-1	File-Ids	D
ACP_EXTCACHE	64	64	0	-1	Extents	D
ACP_EXTLIMIT	300	300	0	1000	Percent/10	D
ACP_QUOCACHE	130	64	0	-1	Users	D
ACP_SYSACC	4	8	0	-1	Directories	D
ACP_MAXREAD	32	32	1	64	Blocks	D
ACP_WINDOW	7	7	1	-1	Pointers	D
ACP_WRITEBACK	1	1	0	1	Boolean	D
ACP_DATACHECK	2	2	0	3	Bit-mask	D
ACP_BASEPRIO	8	8	4	31	Priority	D
ACP_SWAPFLGS	14	15	0	15	Bit-mask	D
ACP_XQP_RES	1	1	0	1	Boolean	
ACP_REBLDSYSD	0	1	0	1	Boolean	

3. SYSGEN> SHOW/ACP/HEX

The command in this example produces a hexadecimal display of the values of the ACP system parameters, as follows:

Parameters in use: Active

Parameter Name	Current	Default	Minimum	Maximum	Unit	Dynamic
ACP_MULTIPLE	00000000	00000001	00000000	00000001	Boolean	D
ACP_SHARE	00000001	00000001	00000000	00000001	Boolean	
ACP_MAPCACHE	00000034	00000008	00000001	FFFFFFFF	Pages	D
ACP_HDRCACHE	0000008A	00000080	00000002	FFFFFFFF	Pages	D
ACP_DIRCACHE	0000008A	00000050	00000002	FFFFFFFF	Pages	D
ACP_DNDXCACHE	00000025	00000019	00000002	FFFFFFFF	Pages	D
ACP_WORKSET	00000000	00000000	00000000	FFFFFFFF	Pages	D
ACP_FIDCACHE	00000040	00000040	00000000	FFFFFFFF	File-Ids	D
ACP_EXTCACHE	00000040	00000040	00000000	FFFFFFFF	Extents	D
ACP_EXTLIMIT	0000012C	0000012C	00000000	000003E8	Percent/10	D
ACP_QUOCACHE	00000082	00000040	00000000	FFFFFFFF	Users	D
ACP_SYSACC	00000004	00000008	00000000	FFFFFFFF	Directories	D
ACP_MAXREAD	00000020	00000020	00000001	00000040	Blocks	D
ACP_WINDOW	00000007	00000007	00000001	FFFFFFFF	Pointers	D
ACP_WRITEBACK	00000001	00000001	00000000	00000001	Boolean	D
ACP_DATACHECK	00000002	00000002	00000000	00000003	Bit-mask	D
ACP_BASEPRIO	00000008	00000008	00000004	0000001F	Priority	D
ACP_SWAPFLGS	0000000E	0000000F	00000000	0000000F	Bit-mask	D
ACP_XQP RES	00000001	00000001	00000000	00000001	Boolean	
ACP_REBLDSYSD	00000000	00000001	00000000	00000001	Boolean	

4. SYSGEN> SHOW/PQL

On an Alpha system, the command in this example produces the following output:

Parameters in use: Active

Parameter Name	Current	Default	Min.	Max.	Unit	Dynamic
PQL_DASTLM	24	24	-1	-1	Ast	D
PQL_MASTLM	4	4	-1	-1	Ast	D
PQL_DBIOLM	32	32	-1	-1	I/O	D
PQL_MBIOLM	4	4	-1	-1	I/O	D
PQL_DBYTLM	65536	65536	-1	-1	Bytes	D
PQL_MBYTLM	1024	1024	-1	-1	Bytes	D
PQL_DCPULM	0	0	-1	-1	10Ms	D
PQL_MCPULM	0	0	-1	-1	10Ms	D
PQL_DDIOLM	32	32	-1	-1	I/O	D
PQL_MDIOLM	4	4	-1	-1	I/O	D
PQL_DFILLM	128	128	-1	-1	Files	D
PQL_MFILLM	2	2	-1	-1	Files	D
PQL_DPGFLQUOTA	65536	65536	-1	-1	Pagelets	D
internal value	4096	4096	0	-1	Pages	D
PQL_MPGFLQUOTA	2048	2048	-1	-1	Pagelets	D
internal value	128	128	128	-1	Pages	D
PQL DPRCLM	32	32	-1	-1	Processes	D
PQL_MPRCLM	0	0	-1	-1	Processes	D
PQL_DTQELM	16	16	-1	-1	Timers	D
PQL_MTQELM	0	0	-1	-1	Timers	D
PQL_DWSDEFAULT	2000	2000	-1	-1	Pagelets	
internal value	125	125	0	-1	Pages	
PQL_MWSDEFAULT	2000	2000	-1	-1	Pagelets	
internal value	125	125	125	-1	Pages	
PQL_DWSQUOTA	4000	4000	-1	-1	Pagelets	D
internal value	250	250	0	-1	Pages	D
PQL_MWSQUOTA	4000	4000	-1	-1	Pagelets	D
internal value	250	250	250	-1	Pages	D
PQL_DWSEXTENT	12000	12000	-1	-1	Pagelets	D
internal value	750	750	0	-1	Pages	D
PQL_MWSEXTENT	4000	4000	-1	-1	Pagelets	D
internal value	250	250	250	-1	Pages	D
PQL_DENQLM	64	64	-1	-1	Locks	D
PQL_MENQLM	4	4	-1	-1	Locks	D

SYSGEN SHOW

PQL_DJTQUOTA	1024	1024	-1	-1 Bytes	D
PQL_MJTQUOTA	0	0	-1	-1 Bytes	D

SHOW/ADAPTER (VAX Only)

On VAX systems, displays all the nexus numbers and generic names on the adapter.

Use of the SHOW/ADAPTER command requires the CMEXEC privilege.

Format

SHOW/ADAPTER

Parameters

None.

Qualifiers

None.

Example

```
SYSGEN> SHOW/ADAPTER
```

The following example is a sample display produced by the SYSGEN SHOW/ADAPTER command:

```
    CPU Type: 11/780
    Nexus Generic Name or Description
    1  16K memory, non-interleaved
    3  UB0
    8  MB0
    9  MB1
```

SYSGEN

SHOW/BUS (VAX Only)

SHOW/BUS (VAX Only)

On VAX systems, displays all the nexus numbers and generic names on the adapter. On Alpha systems, use the SYSMAN command IO SHOW BUS.

Use of the SHOW/BUS command requires the CMEXEC privilege.

Format

SHOW/BUS

Parameters

None.

Qualifiers

None.

SHOW/CONFIGURATION (VAX Only)

On VAX systems, displays information about the device configuration.

Use of the SHOW/CONFIGURATION command requires the CMEXEC privilege.

Format

SHOW/CONFIGURATION

Parameters

None.

Qualifiers

/ADAPTER=nexus

Specifies the number of MASSBUS or UNIBUS adapters to be displayed. The nexus value can be expressed as an integer or with one of the generic names listed by the SYSGEN command SHOW/ADAPTER.

/COMMAND_FILE

Specifies that SYSGEN formats all the device data into CONNECT/ADAPTER=adapter-spec commands and writes the commands in an output file you specify. In this way, you can completely reconfigure a system for UNIBUS devices without the use of the SYSGEN command AUTOCONFIGURE.

/OUTPUT=file-spec

Specifies the file specification of an optional output file. If you specify the /OUTPUT qualifier but omit the file type, the default is .LIS. However, if you specify the /COMMAND_FILE and /OUTPUT qualifiers together, the default file type for the output file is .COM.

Description

The SHOW/CONFIGURATION command shows devices by name, number of units, nexus number, and adapter type, as well as by control and status register (CSR) and vector addresses. You can specify an output file with the /OUTPUT qualifier.

Note that you can remove a device from the middle of the floating addresses without completely redoing jumpers to the CSR and vector addresses of the remaining devices by following these steps:

1. Modify your site-independent STARTUP.COM file to invoke the command file specified with the /OUTPUT qualifier instead of entering an AUTOCONFIGURE ALL command.
2. Enter the SHOW/CONFIGURATION/COMMAND_FILE/OUTPUT command to format and save the device data. If you must bring the system down for service and remove a board, SYS\$SYSTEM:STARTUP.COM invokes your output file as a command procedure when the system reboots, and the system automatically configures UNIBUS devices and MASSBUS devices for you.

SYSGEN SHOW/CONFIGURATION (VAX Only)

Remember that a new version of SYS\$SYSTEM:STARTUP.COM is provided with each major release, so you would need to repeat any modifications you have made to SYS\$SYSTEM:STARTUP.COM after you install the new version.

Note

Although this technique can offer a convenient short-term solution, use AUTOCONFIGURE ALL when possible.

Examples

1. SYSGEN> SHOW/CONFIGURATION

This command displays the current system I/O database. The following example illustrates a typical display produced by this command on VS3100 and 6000-400 systems:

```
System CSR and Vectors on 23-OCT-2002 16:39:28.74
Name: OPA  Units: 1  Nexus:0   (410)
Name: PKB  Units: 1  Nexus:0   (410)
Name: TTA  Units: 4  Nexus:0   (410)
Name: PKA  Units: 1  Nexus:0   (410)
Name: ESA  Units: 3  Nexus:0   (410)
Name: GCA  Units: 1  Nexus:0   (410)

System CSR and Vectors on 23-OCT-2002 16:31:47.12
Name: PAA  Units: 1  Nexus:48  (CI )
Name: PAB  Units: 1  Nexus:64  (CI )
Name: PAC  Units: 1  Nexus:64  (CI )
Name: PAD  Units: 1  Nexus:176 (CI )
Name: FXA  Units: 2  Nexus:192 (GXM)
Name: ETA  Units: 3  Nexus:213 (BVP)
Name: PAE  Units: 1  Nexus:228 (CI )
Name: PBA  Units: 1  Nexus:237 (BVP)
Name: TXA  Units: 16 Nexus:211 (DMB)
```

2. SYSGEN> SHOW/CONFIGURATION/COMMAND_FILE/OUTPUT=CONFIG.COM

This command formats all device data into CONNECT/ADAPTER=adapter-spec commands and writes the commands to the command file CONFIG.COM. The following example is a typical command file produced by this command:

```
$ RUN SYS$SYSTEM:SYSGEN
AUTOCONFIGURE 4
AUTOCONFIGURE 5
CONNECT DMA0 /ADAP=8 /CSR=%0777440 /VECT=%0210 /NUMV=01 /DRIVER=DMDRIVER
CONNECT DMA1 /ADAP=8 /CSR=%0777440 /VECT=%0210 /NUMV=01 /DRIVER=DMDRIVER
CONNECT LPA0 /ADAP=8 /CSR=%0777514 /VECT=%0200 /NUMV=01 /DRIVER=LPDRIVER
CONNECT DYA0 /ADAP=8 /CSR=%0777170 /VECT=%0264 /NUMV=01 /DRIVER=DYDRIVER
CONNECT DYA1 /ADAP=8 /CSR=%0777170 /VECT=%0264 /NUMV=01 /DRIVER=DYDRIVER
CONNECT XMA0 /ADAP=8 /CSR=%0760070 /VECT=%0300 /NUMV=02 /DRIVER=XMDRIVER
CONNECT XMB0 /ADAP=8 /CSR=%0760100 /VECT=%0310 /NUMV=02 /DRIVER=XMDRIVER
CONNECT XMC0 /ADAP=8 /CSR=%0760110 /VECT=%0320 /NUMV=02 /DRIVER=XMDRIVER
CONNECT TTA0 /ADAP=8 /CSR=%0760130 /VECT=%0330 /NUMV=02 /DRIVER=DZDRIVER
CONNECT TTA1 /ADAP=8 /CSR=%0760130 /VECT=%0330 /NUMV=02 /DRIVER=DZDRIVER
CONNECT TTA2 /ADAP=8 /CSR=%0760130 /VECT=%0330 /NUMV=02 /DRIVER=DZDRIVER
.
.
CONNECT TTF7 /ADAP=8 /CSR=%0760200 /VECT=%0400 /NUMV=02 /DRIVER=DZDRIVER
```

SHOW/DEVICE (VAX Only)

On VAX systems, displays full information about device drivers loaded into the system, the devices connected to them, and their I/O databases. All addresses are in hexadecimal and are virtual. On Alpha systems, use the SYSMAN command IO SHOW DEVICE.

Use of the SHOW/DEVICE command requires the CMEXEC privilege.

Format

SHOW/DEVICE=device-driver

Parameters

None.

Qualifiers

None.

Description

The SHOW/DEVICE command specifies that the following information be displayed about the specified device driver:

Driver	Name of the driver
Start	Starting address of the driver
End	Ending address of the driver
Dev	Name of each device connected to the driver
DDB	Address of the device's device data block
CRB	Address of the device's channel request block
IDB	Address of the device's interrupt dispatch block
Unit	Number of each unit on the device
UCB	Address of each unit's unit control block

By default, if you omit the driver name, information is displayed for all device drivers loaded into the system.

Example

```
SYSGEN> SHOW/DEVICE=DBDRIVER
```

This command displays the following information about the DBDRIVER:

Driver	Start	End	Dev	DDB	CRB	IDB	Unit	UCB
DBDRIVER	80082390	80082A7E						
			DBA	80000848	800988C0	80098920		
							0	8000087C
							1	8008A4F0
							2	8008A590
							5	8008A630
							7	8008A6D00

SYSGEN SHOW/DRIVER (VAX Only)

SHOW/DRIVER (VAX Only)

On VAX systems, displays the starting and ending address of the specified device driver loaded into the system.

Format

SHOW/DRIVER=device-driver

Parameters

None.

Qualifiers

None.

Description

If you omit the driver name, SHOW/DRIVER displays the starting and ending address of all device drivers loaded into the system. All addresses are in hexadecimal and are virtual.

Use of the SHOW/DRIVER command requires the CMEXEC privilege.

The SHOW/DRIVER command displays the following information about the specified device driver:

Driver	Name of the device driver
Start	Starting address of the device driver
End	Ending address of the device driver

Example

```
SYSGEN> SHOW/DRIVER
```

This command displays the starting and ending addresses of all drivers, as follows:

SYSGEN
SHOW/DRIVER (VAX Only)

<u>Driver</u>	<u>Start</u>	<u>End</u>
RTTDRIVER	800C1060	800C1960
NETDRIVER	800BAFD0	800BD4B0
TMDRIVER	800B3950	800B4BF0
DRDRIVER	800B2950	800B3290
DDDRIVER	800B1740	800B2060
DLDRIVER	800B0D10	800B15A0
DMDRIVER	800B0070	800B0990
LCDRIVER	800AFC50	800AFFB0
YCDRIVER	800AED20	800AF3E0
XGDRIVER	800AC3F0	800AE9E0
XDDRIVER	800AA5A0	800AC380
DZDRIVER	800A4F30	800A59B0
XMDRIVER	800A3E10	800A4A50
DYDRIVER	800A3300	800A3C30
LPDRIVER	800A2E90	800A3300
DBDRIVER	800DE7A0	800DEFB7
TTDRIVER	800DC770	800DE79B
OPERATOR	80001650	80001F8B
NLDRIVER	80001626	80001D20
MBDRIVER	800015FC	80001CBE

SYSGEN SHOW/STARTUP

SHOW/STARTUP

Displays the name of the current site-independent startup command procedure.

Format

SHOW/STARTUP

Parameters

None.

Qualifiers

None.

Example

```
SYSGEN> SHOW/STARTUP  
Startup command file = SYS$SYSTEM:STARTUP.COM
```

This command displays the name of the site-independent startup command procedure.

SHOW/TURBOCHANNEL (VAX Only)

On VAX systems, displays the nexus number of a device on the TURBOchannel.

Format

SHOW/TURBOCHANNEL

Parameters

None.

Qualifiers

None.

Example

```
SYSGEN> SHOW/TURBOCHANNEL
```

The following example is a sample display produced by the SHOW/TURBOCHANNEL command:

TURBOCHANNEL:	Device Name	Nexus Number	TC Slot
	PMAQT-AA	00000000	00000001

SYSGEN SHOW/UNIBUS (VAX Only)

SHOW/UNIBUS (VAX Only)

On VAX systems, displays the addresses in UNIBUS I/O space that can be addressed.

Use of the SHOW/UNIBUS command requires the CMKRNL privilege.

Format

SHOW/UNIBUS

Parameters

None.

Qualifier

/ADAPTER=nexus

Specifies that the address of the specified UNIBUS adapter is to be displayed. The nexus value specifies the number of the UNIBUS adapter. It can be expressed as an integer or as one of the names listed by the SYSGEN command SHOW/ADAPTER.

Description

The SHOW/UNIBUS command reads all device registers. For some controllers, the result might be reading a character out of a buffer or some other undesired action. Therefore, use the SHOW/UNIBUS command only when you debug a UNIBUS configuration. On a system with more than one UNIBUS adapter, the command shows only the address of the first UNIBUS adapter.

Note

Never use the SHOW/UNIBUS command on a running system. Use of this command is valid only during a conversational bootstrap.

Example

```
SYSGEN> SHOW/UNIBUS/ADAPTER=4
```

This command displays the available addresses for nexus 4, as follows:

```
**UNIBUS map for nexus #4 on 30-JUN-2002 14:19:38.00 **
```

**SYSGEN
SHOW/UNIBUS (VAX Only)**

```
Address 760070 (8001F838) responds with value 9B6E (hex)
Address 760072 (8001F83A) responds with value 0340 (hex)
Address 760074 (8001F83C) responds with value 403C (hex)
Address 760076 (8001F83E) responds with value 0240 (hex)
Address 760100 (8001F840) responds with value 8000 (hex)
Address 760102 (8001F842) responds with value 0340 (hex)
Address 760104 (8001F844) responds with value 7DAC (hex)
Address 760106 (8001F846) responds with value 000A (hex)
Address 760110 (8001F848) responds with value 8000 (hex)
Address 760112 (8001F84A) responds with value 0340 (hex)
Address 760114 (8001F84C) responds with value AD5C (hex)
Address 760116 (8001F84E) responds with value 000A (hex)
Address 760130 (8001F858) responds with value 9B6E (hex)
Address 760132 (8001F85A) responds with value 030D (hex)
Address 760134 (8001F85C) responds with value FF00 (hex)
Address 760136 (8001F85E) responds with value CECE (hex)
Address 760140 (8001F860) responds with value 4060 (hex)
Address 760142 (8001F862) responds with value 0761 (hex)
Address 760144 (8001F864) responds with value FF00 (hex)
```

```
.
.
.
```

SYSGEN TERMINAL

TERMINAL

Modifies the Ctrl/C, Ctrl/O, Ctrl/Y, and Ctrl/Z echo strings on a systemwide basis.

Format

TERMINAL/ECHO

Parameters

None.

Qualifiers

None.

Description

Before entering the **TERMINAL** command, edit the file **SYSGTTSTR.MSG** in **SYS\$EXAMPLES**. The file contains detailed instructions for the editing procedure.

When you enter the **TERMINAL** command after editing the file, the modifications you have specified are carried out.

USE

Initializes the SYSGEN work area with system parameter values and the name of the site-independent startup command procedure, overwriting existing values. The initial values of the SYSGEN work area when the utility is invoked are the active values.

Specify the source for both the parameter values and the procedure name. They can be retrieved from a parameter file, the current system parameter file on disk, the active system in memory, or the default list.

Format

USE file-spec

Parameters**file-spec**

The file specification of a system parameter file from which data is to be retrieved. You can use the SYSGEN command WRITE to create the parameter file. The default file type is .PAR.

In place of a file specification, you can specify one of the following keywords:

CURRENT

Specifies that source information is to be retrieved from the current system parameter file on disk.

On VAX systems, the system parameter file is SYS\$SYSTEM:VAXVMSSYS.PAR.

On Alpha systems, the system parameter file is SYS\$SYSTEM:ALPHAVMSSYS.PAR.

ACTIVE

Specifies that source information is to be retrieved from the active system in memory.

DEFAULT

Specifies that source information is to be retrieved from the default list. The USE DEFAULT command initializes the SYSGEN work area with parameter values that are built into SYSGEN; these values allow the operating system to boot on any standard configuration.

To avoid starting all layered products on a system that is not tuned for them, possibly causing the system to hang, set the STARTUP_P1 system parameter as follows:

```
SYSGEN> SET STARTUP_P1 "MIN"
```

Qualifiers

None.

SYSGEN USE

Examples

1. `SYSGEN> USE SYS$SYSTEM:SPECIAL`

This command uses the existing parameter file `SYS$SYSTEM:SPECIAL.PAR`.

2. `SYSGEN> USE DEFAULT`

```
SYSGEN> SET STARTUP_P1 "MIN"
```

The first command initializes the `SYSGEN` work area with default parameter values. The second command sets the `STARTUP_P1` system parameter to "minimum."

WRITE

Writes the system parameter values and the name of the site-independent startup command procedure from the SYSGEN work area to a parameter file, the current system parameter file on disk, or the active system in memory.

Format

WRITE file-spec

Parameters

file-spec

The file specification of a new parameter file to be created. The default file type is .PAR.

In place of a file specification, you can specify one of the following keywords:

CURRENT

Specifies that source information is to be written to the current system parameter file on disk.

On VAX systems, the system parameter file is SYS\$SYSTEM:VAXVMSSYS.PAR.

On Alpha systems, the system parameter file is
SYS\$SYSTEM:ALPHAVMSSYS.PAR.

Use of the WRITE CURRENT command requires the SYSPRV privilege.

ACTIVE

Specifies that source information is to be written to the active system in memory. (Only the dynamic parameter values are written to the active system.)

Use of the WRITE ACTIVE command requires the CMKRNL privilege.

Qualifiers

None.

Description

On VAX systems, the implementation of security auditing within SYSGEN has altered the reporting of modifications to the system parameter file VAXVMSSYS.PAR. System managers can receive notification of a change to the file by setting up an access control list (ACL) on the file to signal such an event, as in the following example:

```
$ SET SECURITY/ACL=(ALARM=SECURITY,ACCESS=WRITE+FAILURE+SUCCESS)-
_ $ SYS$SYSTEM:VAXVMSSYS.PAR
```

For more information about setting ACLs, refer to the *OpenVMS User's Manual* and the *HP OpenVMS Guide to System Security*.

On Alpha systems, both the WRITE ACTIVE and WRITE CURRENT commands send a message to OPCOM and log the event.

SYSGEN WRITE

Examples

1. SYSGEN> WRITE SYS\$SYSTEM:SPECIAL

This command creates a new parameter specification file, SYS\$SYSTEM:SPECIAL.PAR.

2. SYSGEN> WRITE CURRENT

On VAX systems, this command modifies the current system parameter file on disk, VAXVMSSYS.PAR.

On Alpha systems, this command modifies the current system parameter file on disk, ALPHAVMSSYS.PAR.

System Management Utility

7.1 SYSMAN Description

The System Management utility (SYSMAN) centralizes the management of nodes and cluster environments. Rather than logging in to individual nodes and repeating a set of management tasks, SYSMAN enables you to define your management environment to be a particular node, a group of nodes, or a cluster environment. With a management environment defined, you can perform system management tasks from your local node. SYSMAN executes these tasks on all nodes in the target environment.

Managing a system with SYSMAN is similar to the traditional management of an individual system because SYSMAN uses many of the same software tools. It can process most DCL commands, such as MOUNT, DEFINE, INITIALIZE, SET, and SHOW. It can also execute many OpenVMS system management utilities and command procedures, such as AUTHORIZE, AUTOGEN, and INSTALL.

SYSMAN also contains system management tools that let you perform the following tasks:

- Set disk quotas using DISKQUOTA commands.
- Load and unload licenses using LICENSE commands.
- Associate a terminal or port with a user name using the automatic login facility (ALF) commands.
- Modify or display System Generation utility (SYSGEN) parameters using PARAMETERS commands.
- Build site-specific startup procedures using STARTUP commands, which display or modify startup components of the OpenVMS operating system, site-specific programs, and layered products.
- Modify or display OpenVMS Cluster parameters using CONFIGURATION commands.
- Load system services using SYS_LOADABLE commands, which add and remove executive loaded images from the set of images loaded at boot time.
- Create and modify scheduling classes, which allow you to limit the amount of CPU time allotted to users on a system.
- Shut down systems using the SHUTDOWN NODE command.
- On Alpha systems, detect all previously undiscovered tapes and media changers.
- On Alpha systems, connect devices, load device drivers, and display configuration information using I/O commands.
- On Alpha systems, set the priority of processes so that they are dumped early during a selective dump.

7.1.1 Defining Keys to Execute SYSMAN Commands

Instead of having to type lengthy command lines, SYSMAN enables you to define keys to execute SYSMAN commands. For example, you can define a key to execute a SET ENVIRONMENT command as follows:

```
SYSMAN> DEFINE/KEY/TERMINATE
_ Key name: KP0
_ Translation: "SET ENVIRONMENT/NODE=(NODE21,NODE22,NODE23) "
```

SYSMAN

7.1 SYSMAN Description

Once the key is defined, you can press keypad 0, and SYSMAN executes the SET ENVIRONMENT command. Note that key definitions are lost each time that you exit from SYSMAN, unless you define them in the SYSMAN initialization file. (See Section 7.1.2 for more information about executing commands from an initialization file.)

7.1.2 Executing Commands from an Initialization File

You can create an initialization file that SYSMAN will use each time you invoke the utility. In the SYSMAN initialization file, you can perform tasks such as defining keys and setting the SYSMAN environment.

The default file specification for the SYSMAN initialization file is SYS\$LOGIN:SYSMANINI.INI. If you want your SYSMAN initialization file to have a different file specification, you must define the logical name SYSMANINI to point to the location of the file.

The following example is a sample initialization file in which several keys are defined:

```
$ TYPE SYSMANINI.INI
DEFINE/KEY/TERMINATE KP0 "SET ENVIRONMENT/CLUSTER/NODE=(NODE21,NODE22,NODE23,NODE24) "
DEFINE/KEY/TERMINATE KP1 "CONFIGURATION SHOW TIME"
DEFINE/KEY/TERMINATE KP2 "SHOW PROFILE"
.
.
.
```

7.2 SYSMAN Usage Summary

The System Management utility (SYSMAN) centralizes system management, enabling you to manage nodes or clusters from one location.

Format

```
RUN SYS$SYSTEM:SYSMAN
```

Parameters

None.

Description

To invoke SYSMAN, enter the following command at the DCL prompt:

```
$ RUN SYS$SYSTEM:SYSMAN
```

SYSMAN displays the following prompt at which you can enter SYSMAN commands using the standard rules of DCL syntax:

```
SYSMAN>
```

To exit from SYSMAN and return to the DCL command level, enter the EXIT command at the SYSMAN> prompt or press Ctrl/Z.

Note

SYSMAN has the following restrictions:

- You must have the OPER privilege on the local node and authorization for the OPER or SETPRV privilege on any remote nodes in the management environment.

You must also have the privileges required by individual commands, as each command in this chapter describes. To determine which privileges are required for DCL commands or for system management utilities, refer to the *HP OpenVMS DCL Dictionary* or the appropriate utility reference part of this manual.

- You cannot run SYSMAN from a batch job in any environment that requires a password.
- Some DCL commands, such as SHOW SYSTEM/CLUSTER, SET CLUSTER/QUORUM, MOUNT/CLUSTER, and some forms of the REPLY command, operate clusterwide by design. These commands should not be run using SYSMAN, unless the environment has been set to a single node. Similarly, operations on clusterwide logical names and tables operate clusterwide by design.
- If a SYSMAN user running with more than 125 total rights attempts to issue a SYSMAN command to a remote node within a cluster, the following error message is displayed:

SMI-E-RIGHTSLIM, Rights limit exceeded.

Note that this rights limitation includes a minimum of three identifiers that are granted during login when the process rights list is created:

- A UIC identifier
- A system identifier
- Depending upon the environment in which the process is operating, at least one environmental identifier

Users who want to run SYSMAN must have either one of the following items:

- A separate account with no more than 125 rights
 - Enough identifiers removed from their current account so that the total number of rights falls within the appropriate range
-

7.3 SYSMAN Commands

This section describes the SYSMAN commands and demonstrates their use. Table 7–1 summarizes each command.

SYSMAN

7.3 SYSMAN Commands

Table 7–1 SYSMAN Commands

Command	Function
@ (Execute Procedure)	Requests that SYSMAN read subsequent command input from the specified file or device.
ALF ADD	Adds a record to the automatic login facility (ALF) database.
ALF REMOVE	Deletes one or more records from the automatic login facility (ALF) database.
ALF SHOW	Displays one or more records from the automatic login facility (ALF) database.
ATTACH	Transfers control from your current process to the specified process in your job.
CLASS_SCHEDULE ADD	Creates a new scheduling class.
CLASS_SCHEDULE DELETE	Deletes a scheduling class.
CLASS_SCHEDULE MODIFY	Modifies the characteristics of a scheduling class.
CLASS_SCHEDULE RESUME	Resumes a scheduling class that has been suspended.
CLASS_SCHEDULE SHOW	Displays the characteristics of a scheduling class.
CLASS_SCHEDULE SUSPEND	Temporarily suspends a scheduling class.
CONFIGURATION SET CLUSTER_AUTHORIZATION	Updates security data in a local area cluster.
CONFIGURATION SET TIME	Updates system time.
CONFIGURATION SHOW CLUSTER_ AUTHORIZATION	Displays cluster security data.
CONFIGURATION SHOW TIME	Displays current system time.
DEFINE/KEY	Defines a key to execute a SYSMAN command
DISKQUOTA ADD	Adds an entry to a disk quota file.
DISKQUOTA CREATE	Creates and enables a disk quota file for a volume that does not contain one.
DISKQUOTA DELETE	Removes an entry from a quota file.
DISKQUOTA DISABLE	Suspends disk quota operations on a volume.
DISKQUOTA ENABLE	Resumes disk quota operations on a volume.
DISKQUOTA MODIFY	Changes an entry in the quota file or adjusts the default quota and overdraft values.
DISKQUOTA REBUILD	Reconstructs the disk usage counts for all entries.
DISKQUOTA REMOVE	Removes an entry from a disk quota file.
DISKQUOTA SHOW	Displays disk quotas and usage counts.
DO	Executes a DCL command or DCL command procedure.
‡ DUMP_PRIORITY ADD	Adds an entry to the System Dump Priority registry file.
‡ DUMP_PRIORITY LIST	Lists the contents of the System Dump Priority registry file.
‡ DUMP_PRIORITY LOAD	Loads the contents of the System Dump Priority registry file into memory for BUGCHECK to use.
‡ DUMP_PRIORITY MODIFY	Modifies an entry in the System Dump Priority registry file.
‡ DUMP_PRIORITY REMOVE	Removes a record from the System Dump Priority registry file.

‡Alpha specific

(continued on next page)

Table 7–1 (Cont.) SYSMAN Commands

Command	Function
‡ DUMP_PRIORITY SHOW	Lists the contents of the in-memory copy of the System Dump Priority registry file.
‡ DUMP_PRIORITY UNLOAD	Clears the in-memory copy of the System Dump Priority registry file.
EXIT	Terminates the SYSMAN session and returns control to the DCL command level.
HELP	Provides information about SYSMAN commands.
‡ IO AUTOCONFIGURE	Automatically identifies and configures all hardware devices attached to a system.
‡ IO CONNECT	Connects devices and loads device drivers.
‡ IO CREATE_WWID	Assigns a new device name to a new worldwide identifier (WWID).
‡ IO FIND_WWID	Detects all previously undiscovered tapes and medium changers.
‡ IO LIST_WWID	Lists all tape device worldwide identifiers (WWIDs) that are not yet configured on Fibre Channel.
‡ IO LOAD	Loads an I/O driver.
‡ IO REBUILD	Rebuilds all device configuration tables.
‡ IO REPLACE_WWID	Replaces one worldwide identifier (WWID) with another.
‡ IO SCSI_PATH_VERIFY	Checks each SCSI and FC path in the system to determine whether the attached device has been changed; if it has, the SCSI or FC path in the IO database is disconnected.
‡ IO SET EXCLUDE	Sets the permanent exclusion list to be used when configuring devices automatically.
‡ IO SET PREFIX	Sets the prefix used to build the IOGEN Configuration Building Module (ICBM) names.
‡ IO SHOW BUS	Lists the system's buses, node numbers, bus names, TR numbers, and base CSR addresses on the system.
‡ IO SHOW DEVICE	Displays information about devices, their drivers, and their I/O databases.
‡ IO SHOW EXCLUDE	Displays the permanent exclusion list used in the autoconfiguration of devices.
‡ IO SHOW PREFIX	Displays the current prefix list used to produce the IOGEN Configuration Building Module (ICBM) names.
LICENSE LOAD	Activates a license that is registered in the LICENSE database.
LICENSE UNLOAD	Deactivates a license that is registered in the LICENSE database.
PARAMETERS DISABLE CHECKS	Inhibits range checks on system parameter values specified in subsequent PARAMETERS SET commands.
PARAMETERS ENABLE CHECKS	Ensures that range checks are in effect. Enables range checks after a PARAMETERS DISABLE CHECKS command.
PARAMETERS SET	Modifies the value of a system parameter in the work area.

‡Alpha specific

(continued on next page)

SYSMAN

7.3 SYSMAN Commands

Table 7–1 (Cont.) SYSMAN Commands

Command	Function
PARAMETERS SHOW	Displays the values of system parameters in the work area, plus the default, minimum, and maximum values of the parameters and their units of measure.
PARAMETERS USE	Initializes the current work area with system parameter values and the name of the site-independent command procedure.
PARAMETERS WRITE	Writes the system parameter values and the name of the site-independent command procedure from the work area to a parameter file, the current system parameter file, or the active system in memory.
RESERVED_MEMORY ADD	On Alpha systems, reserves an amount of physical memory, referred to as a memory reservation, in the Reserved Memory Registry data file.
RESERVED_MEMORY EXTEND	On Alpha systems, adds memory sections if you want to accommodate more than one Resource Affinity Domain (RAD) for a single memory reservation.
RESERVED_MEMORY FREE	On running Alpha systems, frees reserved memory.
RESERVED_MEMORY LIST	On Alpha systems, provides a preview of this reservation as it is currently stored in the Reserved Memory Registry data file.
RESERVED_MEMORY MODIFY	On Alpha systems, allows you to modify an existing entry in the Reserved Memory Registry data file.
RESERVED_MEMORY REMOVE	On Alpha systems, removes a reserved memory entry from the Reserved Memory Registry data file.
RESERVED_MEMORY SHOW	On Alpha systems, displays the memory reservations on the running system.
SET ENVIRONMENT	Establishes a management context for subsequent SYSMAN commands.
SET PROFILE	Modifies the default device and directory and the current privileges for the current management environment, and allows you to set DCL verification for future DO commands.
SET TIMEOUT	Establishes the amount of time that SYSMAN waits for a node to respond.
SHOW ENVIRONMENT	Displays the current command context.
SHOW KEY	Displays key definitions.
SHOW PROFILE	Displays the default device and directory and the current privileges.
SHOW TIMEOUT	Displays the current timeout period.
SHUTDOWN NODE	Shuts down one or more nodes simultaneously with a single command line.
SPAWN	Creates a subprocess of the current process, where the context of the subprocess is copied from the current process.
STARTUP ADD	Adds an executable file or command procedure to the startup database.
STARTUP DISABLE	Prevents a component of the startup database from executing on one or more nodes in the environment.
STARTUP ENABLE	Allows a component of the startup database to execute.

(continued on next page)

Table 7–1 (Cont.) SYSMAN Commands

Command	Function
STARTUP MODIFY	Edits a record in the startup database describing how a startup component executes.
STARTUP REMOVE	Removes one or more components from the startup database.
STARTUP SET DATABASE	Determines the default database.
STARTUP SET OPTIONS	Controls logging and display of information for one or more nodes in a cluster during startup.
STARTUP SHOW	Displays the name of the current startup database or its contents.
SYS_LOADABLE ADD	Adds an executive loaded image to the set of images loaded at boot time.
SYS_LOADABLE REMOVE	Removes an executive loaded image from the set of images loaded at boot time.

SYSMAN @ (Execute Procedure)

@ (Execute Procedure)

Requests that SYSMAN read subsequent command input from the specific file or device.

Format

@ filespec

Parameter

filespec

Specifies either the input device or the command procedure you want to execute. The default file type is .COM. You cannot use wildcard characters in the file specification.

Description

Use the execute procedure command to execute a command procedure containing SYSMAN commands. To execute the command procedure, invoke SYSMAN, place the at sign (@) command at the beginning of a command line, then specify the file name of the command procedure.

The command procedure can contain any valid SYSMAN command.

Examples

```
1. $ CREATE ENV.COM
   SET ENVIRONMENT
   SHOW PROFILE Ctrl/Z
   $ RUN SYS$SYSTEM:SYSMAN
   SYSMAN> @ENV.COM

%SYSMAN-I-DEFDIR, default directory on node -- SYS$SYSROOT:[SYSMGR]
%SYSMAN-I-DEFPRIV, default process privileges on node --
    CMKRNL
    CMEXEC
    SYSNAM
    .
    .
    .
    GRPPRV
    READALL
    SECURITY
SYSMAN>
```

This example shows how to create a command procedure that sets the SYSMAN environment to the local node, and displays the current profile. These commands execute when you enter the @ENV.COM command.

SYSMAN @ (Execute Procedure)

```
2. $ CREATE TIME.COM
   SET ENVIRONMENT/CLUSTER
   CONFIGURATION SHOW TIME 
   $ RUN SYS$SYSTEM:SYSMAN
   SYSMAN> @TIME

System time on node NODE23: 19-JUN-2002 13:32:19.45
System time on node NODE24: 19-JUN-2002 13:32:27.79
System time on node NODE25: 19-JUN-2002 13:32:58.66
```

This example shows how to create and execute a command procedure that shows the current date and time for all the nodes in the cluster.

SYSMAN ALF ADD

ALF ADD

Adds a new record to the automatic login facility (ALF) database. You can also create records for proxy accounts.

Requires read (R) and write (W) access to the SYSALF database (SYS\$SYSTEM:SYSALF.DAT by default).

Format

ALF ADD device user

Parameters

device

Specifies the terminal name or port name that you want to assign to a user name. The parameter device must be a terminal name if you do not specify qualifiers on the command line, and can be either a logical name or an abbreviated device name. This parameter accepts a maximum of 63 characters, including devices for proxy accounts.

user

Specifies the user name of the account that you want to assign to a particular terminal or port.

Qualifiers

/TERMINAL (default)

Checks whether the device name you specified is a terminal on the target system. The parameter device can be a logical name or an abbreviated device name, which SYSMAN translates to a full device name.

/PORT

Checks whether the device name you specified is a valid port. If the port name contains special characters, such as a slash (/), or if it contains lowercase letters that you want to preserve, you must enclose the port name within quotation marks (" ").

Be aware that anything within quotation marks is written literally to the ALF database file. For example, if the actual port name contains uppercase letters as well as special characters, be sure to specify uppercase letters within the quotation marks. Otherwise, a mismatch will occur between the actual port name and what is specified in the SYSALF.DAT file.

/PROXY

Checks that the device name is in the NODE::USERNAME format.

/LOG

Displays the device names and user names as they are added to the ALF database.

Description

You can use the ALF ADD command to associate a terminal or port with a particular user name. This will enable certain users to log in to certain terminals or ports without specifying a user name.

The ALF ADD command adds a new record to the ALF database.

Examples

1. SYSMAN> ALF ADD TTA3 JBERGERON
SYSMAN> ALF ADD "MN34C3/LC-1-2" FMARTIN /PORT

In this example, the first command assigns terminal TTA3 to user JBERGERON. The second command assigns port MN34C3/LC-1-2 to user FMARTIN.

2. SYSMAN> ALF ADD VMS:.ZKO.VMSORG.SYSMAN.CLIENT1::SYSTEM FOOBAR

In this example, VMS:.ZKO.VMSORG.SYSMAN.CLIENT1::SYSTEM is the value for the device parameter, which is assigned to FOOBAR.

SYSMAN ALF REMOVE

ALF REMOVE

Removes one or more records from the ALF database.

Requires read (R) and write (W) access to the SYSALF database (SYS\$SYSTEM:SYSALF.DAT).

Format

ALF REMOVE device

Parameter

device

Specifies the terminal name or port name whose record you want to remove from ALF. The device name is required, even if you use qualifiers with the ALF REMOVE command.

You can use wildcard characters in the terminal name or port name. For example, if you specify the device TTA*, the system removes all records that start with the string TTA. The system does not, however, remove any records that start with the string <nodename>\$TTA (where <nodename> is the system's SCSNODE name). To remove records starting with \$, you would have to specify \$TTA* or use two wildcards: *TTA*.

If you omit wildcard characters and enter a REMOVE command, SYSMAN attempts to match the device name exactly. If more than one record matches the criteria, SYSMAN displays an error message.

Qualifiers

/USERNAME=user

Enables you to remove a record in ALF for a specific user associated with a device. You must also enter the device when you use the /USERNAME qualifier. You can use wildcard characters with the /USERNAME qualifier.

/CONFIRM

Displays a message asking you to verify that you want to remove the record.

/LOG

Displays each device name and user name after it has been removed from the ALF database.

Description

The ALF REMOVE command removes one or more records from the ALF database.

Examples

1. SYSMAN> ALF REMOVE WORK1/USERNAME=*

The command in this example removes the records of the WORK1 device from the ALF database for all users. The asterisk (*) replaces user names.

2. SYSMAN> ALF REMOVE */USERNAME=*

The command in this example removes all records from the ALF database. The first asterisk (*) replaces device names; the second asterisk replaces user names.

3. SYSMAN> ALF REMOVE TTA3:
SYSMAN> ALF REMOVE */USERNAME=SMITHSON

In this example, the first command removes the record for terminal TTA3. The second command removes all records (for all devices) assigned to user name SMITHSON.

4. SYSMAN> ALF REMOVE *TTA*

The command in this example removes all records for devices containing the string TTA.

5. SYSMAN> REMOVE TTA

This command produces the following error message:

```
%SYSMAN-E-ALFWILCRDREQ, more than one record might match - Wildcard or  
unit number of device required.
```

Note

HP recommends that you use caution when issuing REMOVE commands from Version 6.1 or lower SYSMAN clients to Version 6.2 or higher systems.

For example, the following command issued from a system running OpenVMS Version 6.1 or lower to a system running OpenVMS Version 6.2 produces no error messages and deletes all records that match FOOBAR\$TTA:

```
SYSMAN> SET ENVIRONMENT/NODE=FOOBAR      ! FOOBAR runs OpenVMS Version 6.2  
%SYSMAN-I-ENV, current command environment:  
    Individual nodes: FOOBAR  
    Username SYSTEM will be used on nonlocal nodes  
SYSMAN> ALF REMOVE TTA                  ! Does not produce an error message  
  
SYSMAN>
```

If you issue the same command from a system running OpenVMS Version 6.1 or lower to another system running OpenVMS Version 6.1 or lower, it produces the following error message:

```
%SYSMAN-I-NODERR, error returned from node FOO  
-SMI-E-ALFNOMATCH, no records matched search criteria
```

This is due to incorrect processing of wildcards prior to OpenVMS Version 6.2.

SYSMAN ALF SHOW

ALF SHOW

Displays one or more records from the ALF database.

Requires read (R) and write (W) access to the SYSALF database (SYS\$SYSTEM:SYSALF.DAT).

Format

ALF SHOW [device]

Parameter

[device]

Specifies the terminal name or port name whose record you want to display. You can use wildcard characters in the terminal name or port name. Certain restrictions in wildcard matching of ALF records exist, as shown in the examples section.

Qualifiers

/USERNAME=user

Displays the records held by the specified user. You can use wildcard characters with this qualifier.

/OUTPUT[=filespec]

Directs the output of the command to a file. If you do not include a file specification with this qualifier, SYSMAN writes the output to the file SYSMAN.LIS in your default directory.

Description

The ALF SHOW command displays one or more records in the ALF database.

Examples

1. SYSMAN> ALF SHOW TTA* /USERNAME=MANESS /OUTPUT=ALF.TXT

In this example, the records for all terminals named TTAx that are assigned to user MANESS are selected and directed to the file ALF.TXT.

2. SYSMAN> ALF SHOW TTA*

This command displays only those records that start with the string TTA.

3. SYSMAN> ALF SHOW TTA

This command displays only those records that start with the string <nodename>\$TTA.

4. SYSMAN> ALF SHOW *TTA

This command displays records that have device names ending with TTA.

5. SYSMAN> ALF SHOW *TTA*

This command displays all records that contain the string TTA.

ATTACH

Transfers control from your current process (which then hibernates) to the specified process in your job.

The ATTACH and SPAWN commands cannot be used if your terminal has an associated mailbox.

Format

ATTACH [process-name]

Parameter

process-name

Specifies the name of a parent process or a spawned subprocess to which control passes. The process must already exist, be part of your current job tree, and share the same input stream as your current process. However, the process cannot be your current process or a subprocess created with the /NOWAIT qualifier.

Process names can contain from 1 to 15 alphanumeric characters. If a connection to the specified process cannot be made, an error message is displayed.

Qualifier

/PARENT

Enables you to attach to the parent process. If no parent process exists, you receive an error message.

Description

The ATTACH command connects your input stream to another process. You can use the ATTACH command to change control from one subprocess to another subprocess or to the parent process.

When you enter the ATTACH command, the parent process goes into hibernation and your input stream connects to the specified destination process. You can use the ATTACH command to connect to a subprocess that is part of a current job (left hibernating as a result of the SPAWN/WAIT command or another ATTACH command) as long as the connection is valid. No connection can be made to the current process, to a process that is not part of the current job, or to a process that does not exist. If you attempt any of these connections, you receive an error message.

You can also use the ATTACH command in conjunction with the SPAWN/WAIT command to return to a parent process without terminating the created subprocess. See the description of the SPAWN command for more details.

SYSMAN ATTACH

Example

```
$ SPAWN
%DCL-S-SPAWNED, process SYSTEM_1 spawned
%DCL-S-ATTACHED, terminal now attached to process SYSTEM_1
$ RUN SYS$SYSTEM:SYSMAN
SYSMAN> ATTACH SYSTEM
%DCL-S-RETURNED, control returned to process SYSTEM
$
```

In this example, the SPAWN command creates a subprocess (SYSTEM_1). After you invoke SYSMAN and enter the ATTACH command, you transfer the terminal's control back to the parent process (SYSTEM).

CLASS_SCHEDULE ADD

The ADD command creates a new scheduling class.

The class scheduler provides the ability to limit the amount of CPU time that a system's users receive by placing users in scheduling classes. Each class is assigned a percentage of the overall system CPU time. As the system runs, the combined set of users in a class is limited to the percentage of CPU execution time allocated to their class.

Users might get some additional CPU time if the qualifier /WINDFALL is enabled for their scheduling class. Enabling the qualifier /WINDFALL allows the system to give a small amount of CPU time to a scheduling class when the scheduling class's allotted time has been depleted, but a free CPU is available.

Format

```
CLASS_SCHEDULE ADD class_name
```

Parameter

class_name

Specifies the name of the scheduling class. You must specify a class name with the ADD command. The maximum length for this name is 16 characters.

Qualifiers

/ACCOUNT

Specifies which user is part of this scheduling class. This is part of a user's SYSUAF record.

The syntax for this qualifier is as follows:

```
[/ACCOUNT = (name1, name2,...name"n")]
```

/CPULIMIT

Defines the maximum amount of CPU time that this scheduling class can receive for the specified days and hours. You must specify this qualifier when adding a class.

The syntax for this qualifier is as follows:

```
/CPULIMIT = ([primary], [h1-h2=time%],[h1=time%],  
[,...],[secondary],[h1-h2=time%],[h1=time%],[,...])
```

The h1-h2=time% syntax allows you to specify a range of hours followed by the maximum amount of CPU time (expressed as a percentage) to be associated with this set of hours. The first set of hours after the keyword PRIMARY specifies hours on primary days; the set of hours after the keyword SECONDARY specifies hours on secondary days. The hours are inclusive; if you class schedule a given hour, access extends to the end of that hour.

/PRIMEDAYS

Allows you to define which days are primary days and which days are secondary days.

The syntax for this qualifier is as follows:

```
[/PRIMEDAYS = ([no]day[,...])]
```

SYSMAN CLASS_SCHEDULE ADD

You specify primary days as MON, TUE, WED, THU, FRI, SAT, and SUN. You specify secondary days as NOMON, NOTUE, NOWED, NOTHU, NOFRI, NOSAT, and NOSUN.

The default is MON through FRI and NOSAT and NOSUN. Any days omitted from the list take their default value. You can use the DCL command, SET DAY, to override the class definition of primary and secondary days.

/UIC

Specifies which users are part of this scheduling class. This is part of a user's SYSUAF record.

The syntax for this qualifier is as follows:

```
[/UIC = (uic1,uic2,...uic"n")]
```

/USERNAME

Specifies which user is part of this scheduling class. This is part of a user's SYSUAF record.

The syntax for this qualifier is as follows:

```
[/USERNAME = (name1, name2,...name"n")]
```

/WINDFALL

Specifies that all processes in the scheduling class are eligible for windfall.

The syntax for this qualifier is as follows:

```
[/WINDFALL])
```

By enabling windfall, you allow processes in the scheduling class to receive a "windfall", that is, a small percentage of CPU time, when the class's allotted CPU time has been depleted, and a CPU is idle. Rather than let the CPU remain idle, you might decide that it is better to let these processes execute, even if it means giving them more than their allotted time.

The default value is for windfall to be disabled.

Description

The format for the CLASS_SCHEDULE ADD command is as follows:

```
SYSMAN> CLASS_SCHEDULE ADD class_name
```

You can use the /ACCOUNT, /UIC, or /USERNAME qualifier to specify which users are to be part of a scheduling class.

The Class Scheduler Database

The class scheduler database is a permanent database that allows OpenVMS to class schedule processes automatically after a system has been booted and rebooted. This database resides on the system disk in SYS\$SYSTEM:VMS\$CLASS_SCHEDULE.DATA. SYSMAN creates this file as an RMS indexed file when the first scheduling class is created with the SYSMAN command CLASS_SCHEDULE ADD.

You can have a common class scheduler database for all cluster nodes, or you can have a separate database for one node or for a small group of nodes. Using a common database can be helpful in simplifying system management. However, you must be aware of the issues raised in the following examples:

- Example 1

SYSMAN CLASS_SCHEDULE ADD

Within a single database—common or separate—you can have only one set of parameters for each class. For example,

```
SYSMAN> SET ENV/NODE=X
SYSMAN> CLASS ADD class1 /USERNAME=(user1) /CPULIMIT=(0-2=100%,3-23=30%)
SYSMAN> SET ENV/NODE=Y
SYSMAN> CLASS ADD class1 /USERNAME=(user1) /CPULIMIT=(0-2=40%,3-23=20%)
```

With a database that is common to both nodes X and Y, the second command produces an error because you have given the same class different parameters. With separate databases for nodes X and Y, the second command works.

- **Example 2**

The system must also be able to assign a process to a unique class. You can specify the same user—or other identifying information—in several classes as long as you define these classes on separate nodes. For example:

```
SYSMAN> SET ENV/NODE=X
SYSMAN> CLASS ADD class1 /USERNAME=(user1) /CPULIMIT=(0-2=100%,3-23=30%)
SYSMAN> SET ENV/NODE=Y
SYSMAN> CLASS ADD class2 /USERNAME=(user1) /CPULIMIT=(0-2=40%,3-23=20%)
```

This example works on a database that is common to both nodes X and Y because the two sets of parameters also have different class names. The system can determine the class for user1 by checking the node on which user1 is running.

- **Example 3**

The following example is incorrect on both common and separate databases because the system cannot determine whether user1 is a member of class1 or class2, since they are both defined for NODE X.

```
SYSMAN> SET ENV/NODE=X
SYSMAN> CLASS ADD class1 /USERNAME=(user1) /CPULIMIT=(0-2=100%,3-23=30%)
SYSMAN> CLASS ADD class2 /USERNAME=(user1) /CPULIMIT=(0-2=40%,3-23=20%)
```

- **Example 4**

In addition to specifying nodes explicitly, as shown in the preceding examples, you can also specify that a class applies to the entire cluster. For example:

```
SYSMAN> SET ENV /CLUSTER
SYSMAN> CLASS ADD class1 /USERNAME=(user1) /CPULIMIT=(0-2=100%,3-23=30%)
```

In this example, not only is class1 defined for all nodes in the cluster, but class1 will also be defined for any node that you might add to the cluster later—as long as the new node uses the same database.

Note that if you define a class with the environment set to CLUSTER, the command SYSMAN> CLASS SHOW/FULL lists that class with the notation "Nodes: All Cluster Members," even if the database is not common to all cluster nodes. To prevent confusion, HP recommends using a common database.

SYSMAN CLASS_SCHEDULE ADD

Defining the Logical Name VMS\$CLASS_SCHEDULE

If you wish to have a common class scheduler database on a cluster with different system disks, or if you want to have a separate database for each node on a cluster with a common system disk, on each node define the system logical name VMS\$CLASS_SCHEDULE to point to the location of the database that you want that node to use. For example, in SYSTARTUP_VMS.COM, include the following command:

```
$ DEFINE/SYSTEM VMS$CLASS_SCHEDULE disk:[directory]VMS$CLASS_SCHEDULE.DATA
```

where:

disk:[directory] represents the disk and directory where you want the database file to reside.

The Class Scheduler Database and Process Creation

By using a permanent class scheduler, a process is placed in a scheduling class, if appropriate, at process creation time. When a new process is created, the system determines whether this process belongs to a scheduling class. To determine this, the system relies on data in the SYSUAF file. Because the Loginout image already has information about the process from this file, Loginout class-schedules the process if it determines that the process belongs to a scheduling class.

Two other types of processes to consider during process creation are subprocess and detached process:

- A subprocess becomes part of the same scheduling class as the parent process, even though the subprocess might not match the criteria of the class. That is, the subprocess's user and account name and/or UIC might not be part of the class's record.
- A detached process joins the same scheduling class as the process that creates it unless the detached process executes the LOGINOUT image (LOGINOUT.EXE) during process creation. If a detached process executes LOGINOUT, it joins a class if it matches the class criteria in the class scheduler database.

Although a process can join a scheduling class at process creation time, you can change or modify its scheduling class during runtime with the SET PROCESS/SCHEDULING_CLASS command.

Determining If a Process is Class-Scheduled

You can determine whether a process is class-scheduled by any of the following methods:

- Either of the following DCL commands:

```
$ SHOW SYSTEM/SCHEDULING_CLASS  
$ SHOW SYSTEM/FULL
```

For more information about the DCL command SHOW SYSTEM, see *HP OpenVMS DCL Dictionary: N-Z*.

- The SYS\$GETJPI system service, using the JPI\$_SCHED_CLASS_NAME item
For more information about the SYS\$GETJPI system service, see *HP OpenVMS System Services Reference Manual: A-GETUAI*.
- The AUTHORIZE utility

SYSMAN CLASS_SCHEDULE ADD

When a new user is added to the SYSUAF file, or when a user's record is modified, AUTHORIZE searches the class scheduler database file to determine if this user is a member of a scheduling class. If it is, then AUTHORIZE displays the following message:

```
UAF-I-INCLASS, user belongs to at least 1 selecting class
```

For more information about the AUTHORIZE utility, refer to that chapter in this manual.

SYSMAN CLASS_SCHEDULE DELETE

CLASS_SCHEDULE DELETE

The DELETE subcommand deletes a scheduling class from the class scheduler database file.

Format

```
CLASS_SCHEDULE DELETE class_name
```

Parameter

class_name

Specifies the name of the scheduling class. You must specify a class name with the DELETE command. The maximum length for this name is 16 characters.

Qualifiers

None.

CLASS_SCHEDULE MODIFY

The MODIFY subcommand changes the characteristics of a scheduling class.

Format

```
CLASS_SCHEDULE MODIFY class_name
```

Parameter

class_name

Specifies the name of the scheduling class. You must specify a class name with the MODIFY command. The maximum length for this name is 16 characters.

Qualifiers

/ACCOUNT

Specifies which user is part of this scheduling class. This is part of a user's SYSUAF record.

The syntax for this qualifier is as follows:

```
[/ACCOUNT = (name1, name2, ...name"n")]
```

/CPULIMIT

Defines the maximum amount of CPU time that this scheduling class can receive for the specified days and hours. You must specify this qualifier when adding a class.

The syntax for this qualifier is as follows:

```
/CPULIMIT = ([primary], [h1-h2=time%],[h1=time%],  
[,...],[secondary],[h1-h2=time%],[h1=time%],[,...])
```

The `h1-h2=time%` syntax allows you to specify a range of hours followed by the maximum amount of CPU time (expressed as a percentage) to be associated with this set of hours. The first set of hours after the keyword PRIMARY specifies hours on primary days; the set of hours after the keyword SECONDARY specifies hours on secondary days. The hours are inclusive; if you class schedule a given hour, access extends to the end of that hour.

/PRIMEDAYS

Allows you to define which days are primary days and which days are secondary days.

The syntax for this qualifier is as follows:

```
[/PRIMEDAYS = ([no]day[,...])]
```

You specify primary days as MON, TUE, WED, THU, FRI, SAT, and SUN. You specify secondary days as NOMON, NOTUE, NOWED, NOTHU, NOFRI, NOSAT, and NOSUN.

The default is MON through FRI and NOSAT and NOSUN. Any days omitted from the list take their default value. You can use the DCL command, SET DAY, to override the class definition of primary and secondary days.

SYSMAN CLASS_SCHEDULE MODIFY

/UIC

Specifies which users are part of this scheduling class. This is part of a user's SYSUAF record.

The syntax for this qualifier is as follows:

```
[/UIC = (uic1,uic2,...uic"n")]
```

/USERNAME

Specifies which user is part of this scheduling class. This is part of a user's SYSUAF record.

The syntax for this qualifier is as follows:

```
[/USERNAME = (name1, name2,...name"n")]
```

/WINDFALL

Specifies that all processes in the scheduling class are eligible for windfall.

The syntax for this qualifier is as follows:

```
[/WINDFALL])
```

By enabling windfall, you allow processes in the scheduling class to receive a "windfall," that is, a small percentage of CPU time, when the class's allotted CPU time has been depleted and a CPU is idle. Rather than let the CPU remain idle, you might decide that it is better to let these processes execute, even if it means giving them more than their allotted time.

The default value is for windfall to be disabled.

Description

To remove a time restriction, specify a zero (0) for the time percentage associated with a particular range of hours.

To remove a name or uic value, you must specify a minus sign in front of each name or value.

CLASS_SCHEDULE RESUME

The RESUME subcommand complements the suspend command. You use this command to resume a scheduling class that is currently suspended.

Format

```
CLASS_SCHEDULE RESUME class_name
```

Parameter

class_name

Specifies the name of the scheduling class. You must specify a class name with the RESUME command. The maximum length for this name is 16 characters.

Qualifiers

None.

SYSMAN CLASS_SCHEDULE SHOW

CLASS_SCHEDULE SHOW

The SHOW subcommand displays the characteristics of a scheduling class.

Format

```
CLASS_SCHEDULE SHOW [class_name] [/qualifier]
```

Parameter

class_name

Specifies the name of the scheduling class. You must specify a class name or the /ALL qualifier with the SHOW command. The maximum length for the class name is 16 characters.

Qualifiers

/ALL

Displays all scheduling classes. The qualifier must be specified if no class name is given.

/FULL

Displays all information about this scheduling class.

Description

By default, a limited display of data is shown by the SHOW subcommand. The default displays the following:

- Name
- Maximum CPU time or times for each range of hours
- Primary days and secondary days
- Windfall settings

CLASS_SCHEDULE SUSPEND

The SUSPEND subcommand suspends the specified scheduling class.

Format

```
CLASS_SCHEDULE SUSPEND class_name
```

Parameter

class_name

Specifies the name of the scheduling class. You must specify a class name with the SUSPEND command. The maximum length for this name is 16 characters.

Qualifiers

None.

Description

When you suspend a scheduling class, all processes that are part of the scheduling class remain as part of the class but are granted unlimited CPU time.

SYSMAN CONFIGURATION SET CLUSTER_AUTHORIZATION

CONFIGURATION SET CLUSTER_AUTHORIZATION

Modifies security data in a local area cluster.

Requires SYSPRV privilege.

Format

CONFIGURATION SET CLUSTER_AUTHORIZATION

Parameters

None.

Qualifiers

/GROUP_NUMBER=[n]

Specifies the cluster group number that is recorded in SYS\$SYSTEM:CLUSTER_AUTHORIZE.DAT. A group number uniquely identifies each local area cluster on a single Ethernet. This number must be in the range from 1 to 4095 or 61440 to 65535.

/PASSWORD=password

Specifies a password for cluster access. A password consists of 1 to 31 characters, including alphanumeric characters, dollar signs, and underscores. A password provides a second level of validation to ensure the integrity of individual clusters on the same Ethernet that accidentally use identical group numbers. A password also prevents an intruder who discovers the group number from joining the cluster.

Description

The CONFIGURATION SET CLUSTER_AUTHORIZATION command modifies the group number and password of a local area cluster, as recorded in SYS\$SYSTEM:CLUSTER_AUTHORIZE.DAT. If your configuration has multiple system disks, SYSMAN automatically updates each copy of CLUSTER_AUTHORIZE.DAT, provided the environment is defined as a cluster (SET ENVIRONMENT/CLUSTER). For more information about CLUSTER_AUTHORIZE.DAT, refer to *OpenVMS Cluster Systems*.

Caution

If you change either the group number or the password, you must reboot the entire cluster.

The file CLUSTER_AUTHORIZE.DAT is initialized during execution of CLUSTER_CONFIG.COM and maintained through SYSMAN. Under normal conditions, altering records in the CLUSTER_AUTHORIZE.DAT file interactively is not necessary. To protect the integrity of the cluster membership use the CONFIGURATION SET CLUSTER_AUTHORIZATION command.

SYSMAN CONFIGURATION SET CLUSTER_AUTHORIZATION

Example

```
SYSMAN> SET ENVIRONMENT/CLUSTER/NODE=NODE21
SYSMAN> SET PROFILE /PRIVILEGES=SYSPRV
SYSMAN> CONFIGURATION SET CLUSTER_AUTHORIZATION/PASSWORD=GILLIAN
%SYSMAN-I-CAFOLDGROUP, existing group will not be changed
%SYSMAN-I-GRPNOCHG, Group number not changed
SYSMAN-I-CAFREBOOT, cluster authorization file updated.
The entire cluster should be rebooted.
```

The CONFIGURATION SET CLUSTER_AUTHORIZATION command in this example sequence modifies the cluster password. Note that the environment is defined to be a cluster, and the SYSPRV privilege is established before entering the CONFIGURATION SET CLUSTER_AUTHORIZATION command.

SYSMAN CONFIGURATION SET TIME

CONFIGURATION SET TIME

Modifies the current system time.

Requires OPER, LOG_IO, and SYSPRV privileges, and, in a cluster environment, SYSLCK privilege.

Format

CONFIGURATION SET TIME [time]

Parameters

None.

Qualifiers

None.

Description

The CONFIGURATION SET TIME command enables you to reset the system time. Specify a time value using the following format:

[dd-mmm-yyyy[:]] [hh:mm:ss.cc]

You can also enter a delta time value. Refer to the *OpenVMS User's Manual* for more information about time formats.

In an environment of individual nodes, SYSMAN sets the time to the specified value on each node. Without a time specification, SYSMAN sets the time according to the time-of-year clock on each node.

In an OpenVMS Cluster environment, SYSMAN sets the time to the specified value on each node. If you do not specify a value, SYSMAN uses the time-of-year clock. In a local cluster, SYSMAN reads the clock on the node from which you are executing SYSMAN and assigns this value to all nodes in the cluster. In a remote OpenVMS Cluster, SYSMAN reads the clock on the target node in the cluster and assigns that value to all nodes. Note that the time-of-year clock is optional for some processors; refer to your processor handbook for further information.

SYSMAN uses special processing in an OpenVMS Cluster environment to ensure that all processors in the cluster are set to the same time. Because of communication and processing delays, it is not possible to synchronize clocks exactly. However, the variation is typically less than a few hundredths of a second. If SYSMAN cannot set the time to within one half second of the specified time, you receive a warning message that names the node that failed to respond quickly enough.

As a result of slight inaccuracies in each processor clock, times on various members of a cluster tend to drift apart. The following procedure synchronizes system times in a cluster environment:

SYSMAN CONFIGURATION SET TIME

```
$ SYNCH CLOCKS:  
$ RUN SYSS$SYSTEM:SYSMAN  
    SET ENVIRONMENT/CLUSTER  
    CONFIGURATION SET TIME  
    EXIT  
$ WAIT 6:00:00  
$ GOTO SYNCH_CLOCKS
```

The procedure sets the time on all cluster nodes to the value obtained from the local time-of-year clock, waits 6 hours, then resets the time for the cluster.

Example

```
SYSMAN> SET ENVIRONMENT/NODE=(NODE21,NODE22,NODE23)  
SYSMAN> SET PROFILE /PRIVILEGE=LOG IO  
SYSMAN> CONFIGURATION SET TIME 12:38:00
```

The CONFIGURATION SET TIME command in this example sequence modifies the system time on NODE21, NODE22, and NODE23.

SYSMAN CONFIGURATION SHOW CLUSTER_AUTHORIZATION

CONFIGURATION SHOW CLUSTER_AUTHORIZATION

Displays the group number and multicast address of a local area cluster.
Requires SYSPRV privilege.

Format

CONFIGURATION SHOW CLUSTER_AUTHORIZATION

Parameters

None.

Qualifier

/OUTPUT[=filespec]

Redirects output from SYS\$OUTPUT to the specified file. If no file specification is provided, SYSMAN writes the output to SYSMAN.LIS in the current directory.

Description

The CONFIGURATION SHOW CLUSTER_AUTHORIZATION command displays the group number and multicast address, and Ethernet address used to send a message to all nodes in the cluster. The group number and multicast address are recorded in SYS\$SYSTEM:CLUSTER_AUTHORIZE.DAT during the CLUSTER_CONFIG dialog.

In a cluster or multinode environment, SYSMAN displays the group number of the first node and then displays the names of any nodes in the cluster whose group numbers, passwords, or both, are different.

Example

```
SYSMAN> SET ENVIRONMENT/CLUSTER/NODE=NODE21
.
.
.
SYSMAN> SET PROFILE /PRIVILEGE=SYSPRV
SYSMAN> CONFIGURATION SHOW CLUSTER AUTHORIZATION
Node NODE23: Cluster group number 65240
Multicast address: AB-00-04-01-F2-FF
```

The CONFIGURATION SHOW CLUSTER_AUTHORIZATION command in this example displays the group number and multicast address of NODE21. Because the group number and password on other nodes in the cluster are identical, no further information is displayed.

CONFIGURATION SHOW TIME

Displays the current date and system time to the nearest hundredth of a second.

Format

CONFIGURATION SHOW TIME

Parameters

None.

Qualifier

/OUTPUT[=filespec]

Redirects output from SYS\$OUTPUT to the specified file. If no file specification is provided, SYSMAN writes the output to SYSMAN.LIS in the current directory.

Example

```
SYSMAN> SET ENVIRONMENT/CLUSTER/NODE=NODE21
.
.
.
SYSMAN> CONFIGURATION SHOW TIME
System time on node NODE21: 19-JUN-2002 13:32:19.45
System time on node NODE22: 19-JUN-2002 13:32:27.79
System time on node NODE23: 19-JUN-2002 13:32:58.66
```

The CONFIGURATION SHOW TIME command in this example displays the system times for all nodes in the cluster.

SYSMAN DEFINE/KEY

DEFINE/KEY

Defines a key to execute a SYSMAN command. This enables you to press the key to enter a command, instead of typing the command name.

Format

DEFINE/KEY key-name string

Parameters

key-name

Specifies the name of the key you are defining. Use the key names in the following table when defining keys:

Key Name	VT100	LK201/LK401
PF1	PF1	PF1
PF2	PF2	PF2
PF3	PF3	PF3
PF4	PF4	PF4
KP0, KP1–KP9	keypad 0–9	keypad 0–9
PERIOD	period key	period key
COMMA	comma key	comma key
MINUS	minus key	minus key
ENTER	ENTER key	ENTER key
UP, DOWN, LEFT, RIGHT	arrow keys	arrow keys
FIND, INSERT_HERE	–	Find, Insert Here keys
REMOVE, SELECT	–	Remove, Select keys
PREV_SCREEN	–	Previous Screen key
NEXT_SCREEN	–	Next Screen key
HELP, DO	–	Help, Do keys
F6–F10, F11–F14	–	function keys
F17–F20	–	function keys

string

Specifies the string you want entered when you press the defined key. For example, you can define string as the SYSMAN command SHOW ENVIRONMENT or SHOW PROFILE.

Qualifiers

/ECHO (default)

/NOECHO

Specifies whether the command line echoes after you press the defined key. Note that you cannot define a key using both the /NOECHO and /NOTERMINATE qualifiers.

**/IF_STATE=state_list
/NOIF_STATE**

Specifies a list of states, any one of which must be set in order to enable the specified key definition. If you omit or negate this qualifier, the current state prevails.

**/LOCK_STATE
/NOLOCK_STATE (default)**

Retains the state specified by the /SET_STATE qualifier until you use the /SET_STATE qualifier again to change it.

**/SET_STATE
/NOSET_STATE**

Associates a state with the key you are defining. A state name can be any alphanumeric string. If you omit or negate this qualifier, the current state remains unchanged. You cannot define a key using both the /SET_STATE and /TERMINATE qualifiers.

**/TERMINATE
/NOTERMINATE**

Determines whether the specified command string executes when you press the key. When you use /NOTERMINATE, you must press the Return key to execute the command string. You cannot define a key using both the /SET_STATE and /TERMINATE qualifiers.

Description

The DEFINE/KEY command assigns a key to a SYSMAN command. This enables you to execute the command by pressing the key. You can confirm which keys you have defined by using the SHOW KEY command.

When you exit from SYSMAN, any SYSMAN key definitions you established will be lost unless you define them in a SYSMAN initialization file. (See Section 7.1.2.)

Examples

1. SYSMAN> DEFINE /KEY PF1 "SHOW PROFILE"

This example shows how to define the keypad key PF1 as the SYSMAN command SHOW PROFILE. To execute the SHOW PROFILE command, press PF1 and then the Return key.

2. SYSMAN> DEFINE /KEY KP0 /TERMINATE "CONFIGURATION SHOW TIME"

This example shows how to define the keypad key 0 as the CONFIGURATION SHOW TIME command. The /TERMINATE qualifier causes the SYSMAN command to execute when you press keypad key 0 without having to press Return.

SYSMAN DISKQUOTA ADD

DISKQUOTA ADD

Adds an entry to a disk quota file and initializes the usage count to zero.

Requires write (W) access to the quota file.

Format

```
DISKQUOTA ADD owner
```

Parameter

owner

Specifies the user identification code (UIC) or rights identifier for which the quota entry is added. You can specify the UIC in numeric or alphanumeric format. For complete information about UIC specification, refer to the *HP OpenVMS Guide to System Security*.

Rights identifiers are granted with the Authorize utility and use an ID format rather than a UIC format. Refer to the *OpenVMS Programming Concepts Manual* for a complete description of rights identifiers.

When working in nonlocal environments, be careful that the alphanumeric UIC or rights identifiers that you use are valid for the environment.

Qualifiers

/DEVICE=device-spec

Specifies the location of the quota file. SYSMAN validates the device specification. You can specify a logical name for *device-spec*. If you do, the logical name is translated in the target environment.

Without a device specification, SYSMAN uses the default disk on the target node. Unless you have set a default device with the SET PROFILE command, the default disk is the current device on the local node or the login default device on another node, depending on the established environment.

/OVERDRAFT=value

Specifies a positive integer that provides an overdraft value for the specified UIC. If omitted, the overdraft value defaults to the overdraft value in the entry for [0,0].

/PERMQUOTA=value

Specifies a positive integer that provides the quota for the specified UIC. If omitted, the permanent quota defaults to the value of the quota in the entry for [0,0].

Description

The DISKQUOTA ADD command appends individual entries to a quota file on the specified disk. Note that the quota file must already exist and be enabled.

Unless you specify the permanent quota and overdraft values, SYSMAN applies the default values from the UIC entry [0,0]. You adjust UIC [0,0] with the DISKQUOTA MODIFY command.

Example

```
SYSMAN> SET ENVIRONMENT/NODE=(NODE22,NODE21) ❶
%SYSMAN-I-ENV, Current command environment:
  Individual nodes: NODE22,NODE21
  Username ALEXIS will be used on nonlocal nodes.
SYSMAN> SET PROFILE /PRIVILEGE=SYSPRV ❷
SYSMAN> DISKQUOTA ADD [MKT,MORSE] /DEVICE=WORK1 -
_SYSMAN> /PERMQUOTA=200 /OVERDRAFT=50 ❸
SYSMAN> DISKQUOTA ADD PAYROLL /DEVICE=WORK1 /PERMQUOTA=1000 ❹
```

- ❶ Defines the management environment to be NODE22 and NODE21.
- ❷ Adds SYSPRV privilege to the user's current privileges in order to write to the quota file.
- ❸ Adds UIC [MKT,MORSE] to the quota file on the device named WORK1 on both NODE22 and NODE21, setting the permanent quota to 200 disk blocks and the overdraft limit to 50 disk blocks, for an absolute limit of 250 blocks.
If the user name MORSE has a unique UIC on the system, you can enter the following command:

```
SYSMAN> DISKQUOTA ADD MORSE
```

- ❹ Adds an entry for the rights identifier PAYROLL. Any user holding the PAYROLL identifier can use this disk space.

SYSMAN DISKQUOTA CREATE

DISKQUOTA CREATE

Creates and enables a quota file for a disk volume that does not currently contain one.

Requires write (W) access to the volume's master file directory (MFD), plus one of the following items: SYSPRV privilege, a system UIC, or ownership of the volume.

Format

DISKQUOTA CREATE

Parameters

None.

Qualifier

/DEVICE=device-spec

Specifies the disk volume on which to create a quota file. SYSMAN validates the device specification. A logical name may be specified for *device-spec*. If so, it is translated in the target environment.

Without a device specification, SYSMAN uses the default disk on the target node. Unless you have set a default device with the SET PROFILE command, the default disk is the current device on the local node or the login default device on another node, depending on the established environment.

Description

The DISKQUOTA CREATE command creates a quota file for a volume that does not currently have one.

Only one quota file, [000000]QUOTA.SYS, can be present on any volume or volume set. As soon as you create a quota file, establish default values for quotas and overdrafts by adjusting UIC [0,0] with the DISKQUOTA MODIFY command. When a disk has existing files, use the DISKQUOTA REBUILD command to have SYSMAN update the quota file to contain current usage values.

Note

HP recommends that you do not create and enable a quota file on the system disk unless users are allowed to create files on that disk.

Example

```
SYSMAN> SHOW ENVIRONMENT
%SYSMAN-I-ENV, Current command environment:
  Node NODE24 of local cluster
  Username ALEXIS      will be used on nonlocal nodes
```

SYSMAN DISKQUOTA CREATE

```
SYSMAN> DO SHOW DEVICES
.
.
.
SYSMAN> DISKQUOTA CREATE /DEVICE=DJA31:
SYSMAN> DISKQUOTA MODIFY /DEVICE=DJA31: [0,0] -
_
SYSMAN> /PERMQUOTA=10000 /OVERDRAFT=100
```

The commands in this example sequence display the characteristics of the current management environment and verify the device name. Then they create a quota file on the disk DJA31 and set up default quota values.

SYSMAN DISKQUOTA DELETE

DISKQUOTA DELETE

Removes an entry from a quota file.

See the command `DISKQUOTA REMOVE` for more information. The `DISKQUOTA REMOVE` and `DISKQUOTA DELETE` commands perform the same function.

DISKQUOTA DISABLE

Suspends the maintenance and enforcement of disk quotas on a volume in the current management environment; this applies to each node that has the disk mounted.

Caution

To use the DISKQUOTA DISABLE command on a disk that has been mounted on multiple nodes in a cluster, you must first specify the nodes in the SET ENVIRONMENT command.

Requires SYSPRV privilege, a system UIC, or ownership of the volume.

Format

DISKQUOTA DISABLE

Parameters

None.

Qualifier

/DEVICE=device-spec

Specifies a disk volume on which to disable a quota file. SYSMAN validates the device specification. A logical name may be specified for *device-spec*. If so, it is translated in the target environment.

Without a device specification, SYSMAN uses the default disk on the target node. Unless you have set a default device with the SET PROFILE command, the default disk is the current device on the local node or the login default device on another node, depending on the established environment.

Description

The DISKQUOTA DISABLE command suspends quota operations on a volume. To permanently disable quotas on a device, disable the quotas with the DISKQUOTA DISABLE command and delete the file [000000]QUOTA.SYS. Otherwise, the system implicitly enables quotas when the disk is mounted, leaving invalid quota information.

If you enable the quota file later, enter the DISKQUOTA REBUILD command to update UIC entries and usage counts.

Examples

1. SYSMAN> SET ENVIRONMENT/NODE=(AMANDA,BARRY)
SYSMAN> DISKQUOTA DISABLE /DEVICE=DJA1:

These commands suspend quota enforcement on disk DJA1, which is mounted on nodes AMANDA and BARRY.

SYSMAN DISKQUOTA DISABLE

```
2. SYSMAN> SET ENVIRONMENT/CLUSTER ❶
%SYSMAN-I-ENV, current command environment:
Clusterwide on local cluster
Username STEIN will be used on nonlocal nodes

SYSMAN> DO SHOW QUOTA/DISK=$6$dkd0:/USER=[0,0] ❷
%SYSMAN-I-OUTPUT, command execution on node WALTER
User [0,0] has 0 blocks used, 1000 available,
of 1000 authorized and permitted overdraft of 100 blocks on $6$DKD0
%SYSMAN-I-OUTPUT, command execution on node ARTOS2
User [0,0] has 0 blocks used, 1000 available,
of 1000 authorized and permitted overdraft of 100 blocks on $6$DKD0
%SYSMAN-I-OUTPUT, command execution on node ARTOS1
User [0,0] has 0 blocks used, 1000 available,
of 1000 authorized and permitted overdraft of 100 blocks on $6$DKD0
%SYSMAN-I-OUTPUT, command execution on node EXPERT
User [0,0] has 0 blocks used, 1000 available,
of 1000 authorized and permitted overdraft of 100 blocks on $6$DKD0

SYSMAN> DISKQUOTA DISABLE/DEVICE=$6$dkd0: ❸
SYSMAN> DO SHOW QUOTA/DISK=$6$dkd0:/USER=[0,0] ❹
%SYSMAN-I-OUTPUT, command execution on node WALTER
%SYSTEM-F-QFNOTACT, disk quotas not enabled on this volume
%SYSMAN-I-OUTPUT, command execution on node ARTOS2
%SYSTEM-F-QFNOTACT, disk quotas not enabled on this volume
%SYSMAN-I-OUTPUT, command execution on node ARTOS1
%SYSTEM-F-QFNOTACT, disk quotas not enabled on this volume
%SYSMAN-I-OUTPUT, command execution on node EXPERT
%SYSTEM-F-QFNOTACT, disk quotas not enabled on this volume
SYSMAN>
```

In this example, the disk \$6\$dkd0: has been mounted clusterwide.

- ❶ The SET ENVIRONMENT command sets the environment for all nodes in the cluster.
- ❷ The output of this DO SHOW QUOTA command shows that disk quotas are enabled over the cluster.
- ❸ The DISKQUOTA DISABLE command disables disk quotas over the entire cluster.
- ❹ The output of this DO SHOW QUOTA command shows that disk quotas have been disabled.

DISKQUOTA ENABLE

Resumes quota enforcement on a disk volume in the current management environment; this applies to each node that has the disk mounted.

Caution

To use the DISKQUOTA ENABLE command on a disk that has been mounted on multiple nodes in a cluster, you must first specify the nodes in the SET ENVIRONMENT command.

Requires SYSPRV privilege, a system UIC, or ownership of the volume.

Format

DISKQUOTA ENABLE

Parameters

None.

Qualifier

/DEVICE=device-spec

Specifies a disk volume on which to enable the quota file. SYSMAN validates the device specification. A logical name may be specified for *device-spec*. If so, it is translated in the target environment.

Without a device specification, SYSMAN uses the default disk on the target node. Unless you have set a default device with the SET PROFILE command, the default disk is the current device on the local node or the login default device on another node, depending on the established environment.

Description

The DISKQUOTA ENABLE command reinstates the enforcement of quotas on a volume that had been suspended with the DISKQUOTA DISABLE command. Whenever you enable quotas on a volume, use the DISKQUOTA REBUILD command to update UIC entries and usage counts.

Examples

1. SYSMAN> SET ENVIRONMENT/NODE=(NODE21,NODE22)
SYSMAN> DISKQUOTA ENABLE
SYSMAN> DISKQUOTA REBUILD

The DISKQUOTA ENABLE command in this example resumes quota enforcement on the default disk DJA12, which is mounted on NODE21 and NODE22. The DISKQUOTA REBUILD command updates the quota file, correcting quotas and adding any new entries.

SYSMAN DISKQUOTA ENABLE

```
2. SYSMAN> SET ENVIRONMENT/CLUSTER ❶
%SYSMAN-I-ENV, current command environment:
Clusterwide on local cluster
Username STEIN will be used on nonlocal nodes

SYSMAN> DO SHOW QUOTA/DISK=$6$dkd0:/USER=[0,0] ❷
%SYSMAN-I-OUTPUT, command execution on node WALTER
%SYSTEM-F-QFNOTACT, disk quotas not enabled on this volume
%SYSMAN-I-OUTPUT, command execution on node ARTOS2
%SYSTEM-F-QFNOTACT, disk quotas not enabled on this volume
%SYSMAN-I-OUTPUT, command execution on node ARTOS1
%SYSTEM-F-QFNOTACT, disk quotas not enabled on this volume
%SYSMAN-I-OUTPUT, command execution on node EXPERT
%SYSTEM-F-QFNOTACT, disk quotas not enabled on this volume

SYSMAN> DISKQUOTA ENABLE/DEVICE=$6$dkd0: ❸
SYSMAN> DO SHOW QUOTA/DISK=$6$dkd0:/USER=[0,0] ❹
%SYSMAN-I-OUTPUT, command execution on node WALTER
User [0,0] has 0 blocks used, 1000 available,
of 1000 authorized and permitted overdraft of 100 blocks on $6$DKD0
%SYSMAN-I-OUTPUT, command execution on node ARTOS2
User [0,0] has 0 blocks used, 1000 available,
of 1000 authorized and permitted overdraft of 100 blocks on $6$DKD0
%SYSMAN-I-OUTPUT, command execution on node ARTOS1
User [0,0] has 0 blocks used, 1000 available,
of 1000 authorized and permitted overdraft of 100 blocks on $6$DKD0
%SYSMAN-I-OUTPUT, command execution on node EXPERT
User [0,0] has 0 blocks used, 1000 available,
of 1000 authorized and permitted overdraft of 100 blocks on $6$DKD0
```

In this example, the disk \$6\$dkd0: has been mounted clusterwide.

- ❶ The SET ENVIRONMENT command sets the environment for all nodes in the cluster.
- ❷ The output of this DO SHOW QUOTA command shows that disk quotas have not been enabled.
- ❸ The DISKQUOTA ENABLE command enables disk quotas over the entire cluster.
- ❹ The output of this DO SHOW QUOTA command shows that disk quotas have been enabled over the cluster.

DISKQUOTA MODIFY

Changes an entry in a quota file or adjusts default values for quotas and overdrafts. If a new quota limit is less than the current usage count, SYSMAN issues a warning message before it implements the new quota.

Requires write (W) access to the quota file.

Format

DISKQUOTA MODIFY owner

Parameter

owner

Specifies the user identification code (UIC) or rights identifier. You can specify the UIC in numeric or alphanumeric format. For complete information about UIC specification, refer to the *HP OpenVMS Guide to System Security*.

Rights identifiers are granted with the Authorize utility and use an ID format rather than a UIC format. Refer to the *OpenVMS Programming Concepts Manual* for a complete description of rights identifiers.

When working in nonlocal environments, make sure that the alphanumeric UIC or rights identifiers that you use are valid for the environment.

Qualifiers

/DEVICE=device-spec

Specifies the disk volume that contains the quota file. SYSMAN validates the device specification. A logical name may be specified for *device-spec*. If so, it is translated in the target environment.

Without a device specification, SYSMAN uses the default disk on the target node. Unless you have set a default device with the SET PROFILE command, the default disk is the current device on the local node or the login default device on another node, depending on the established environment.

/OVERDRAFT=value

Specifies a positive integer that provides an overdraft value for the specified UIC. If you omit a value, the overdraft value defaults to the overdraft value in the entry for [0,0].

/PERMQUOTA=value

Specifies a positive integer that provides the quota for the specified UIC. If you omit a value, the permanent quota defaults to the value of the quota in the entry for [0,0].

SYSMAN

DISKQUOTA MODIFY

Description

The DISKQUOTA MODIFY command changes values in a quota file for the disk named in the device specification. If you establish a quota limit that is less than the current usage count, a user can still log in and out, but cannot create files.

After creating a quota file, use the DISKQUOTA MODIFY command to set default values for quotas and overdrafts. UIC [0,0] sets the default permanent quota and overdraft values for a quota file, so you must change the entry [0,0] to values appropriate for your installation. Unless you specify quota and overdraft values when adding a file entry, SYSMAN applies these defaults to UIC entries.

Examples

1. SYSMAN> SET ENVIRONMENT/NODE=NODE21
SYSMAN> DISKQUOTA MODIFY /DEVICE=DUA12: [0,0] -
_SYSMAN> /PERMQUOTA=3000 /OVERDRAFT=300

The commands in this example edit the entry for UIC [0,0] in the quota file on DUA12, which is located on NODE21.

2. SYSMAN> DISKQUOTA MODIFY /DEVICE=SYS\$DISK1 [TTD,DAVIS] -
_SYSMAN> /PERMQUOTA=900

This command sets the permanent quota for UIC [TTD,DAVIS] to 900 blocks, while making no change to the overdraft limit. SYSMAN modifies the quota file that is located on disk SYS\$DISK1 in the current environment.

If the user name DAVIS has a unique UIC on the system, you can enter the following command:

```
SYSMAN> DISKQUOTA MODIFY DAVIS/PERMQUOTA=900
```

DISKQUOTA REBUILD

Updates a quota file, adding new UICs and correcting usage counts for each user on the volume.

Requires write (W) access to the quota file, plus one of the following items: SYSPRV privilege, a system UIC, or ownership of the volume.

Format

DISKQUOTA REBUILD

Parameters

None.

Qualifier

/DEVICE=device-spec

Specifies the disk volume that contains the quota file. SYSMAN validates the device specification and translates any logical name in the target environment before rebuilding the file.

Without a device specification, SYSMAN uses the default disk on the target node. Unless you have set a default device with the SET PROFILE command, the default disk is the current device on the local node or the login default device on another node, depending on the established environment.

Description

The DISKQUOTA REBUILD command reads the disk, recalculates usage counts for all existing entries in QUOTA.SYS, and adds new entries. It sets quota and overdraft values to the defaults set in UIC [0,0] if the entry did not previously exist. While the DISKQUOTA REBUILD command is executing, file activity on the volume is frozen. No files can be created, deleted, extended, or truncated.

Use the DISKQUOTA REBUILD command in the following circumstances:

- After creating a quota file on a volume with existing files.
- When the quota file has been enabled after a period of being disabled. The command corrects the usage counts and adds any new UICs.

Example

```
SYSMAN> SET ENVIRONMENT /NODE=NODE21  
SYSMAN> SET PROFILE /PRIVILEGE=SYSPRV  
SYSMAN> DISKQUOTA ENABLE /DEVICE=DUA226:  
SYSMAN> DISKQUOTA REBUILD /DEVICE=DUA226:
```

These commands enable the quota file and reconstruct the usage counts for all entries on disk DUA226, which is located on node NODE21.

SYSMAN DISKQUOTA REMOVE

DISKQUOTA REMOVE

Removes an entry from a quota file.

Requires write (W) access to the quota file.

Format

```
DISKQUOTA REMOVE owner
```

Parameter

owner

Specifies the user identification code (UIC) or rights identifier. You can specify the UIC in numeric or alphanumeric format. For complete information about UIC specification, refer to the *HP OpenVMS Guide to System Security*.

Rights identifiers are granted with the Authorize utility and use an ID format rather than a UIC format. For more information about rights identifiers, refer to the *OpenVMS Programming Concepts Manual*.

When working in nonlocal environments, be careful that the alphanumeric UIC or rights identifiers that you use are valid for the environment.

Qualifier

/DEVICE=device-spec

Specifies the disk volume containing the quota file. SYSMAN validates the device specification and translates any logical name in the target environment before deleting the UIC entry.

Without a device specification, SYSMAN uses the default disk on the target node. Unless you have set a default device with the SET PROFILE command, the default disk is the current device on the local node or the login default device on another node, depending on the established environment.

Description

The DISKQUOTA REMOVE command eliminates the specified UIC from the quota file on the named device.

If the usage count for the UIC is not zero, files remain on disk and the user can still log in, but any attempt to create or extend files will fail.

The UIC [0,0] entry cannot be removed.

Example

```
SYSMAN> SET ENVIRONMENT/NODE=MARS
SYSMAN> SHOW PROFILE
%SYSMAN-I-DEFDIR, Default directory on node MARS -- WORK2:[CASEY]
%SYSMAN-I-DEFPRIV, Process privileges on node MARS --
    TMPMGX
    OPER
    NETMBX
    SYSPRV
```

SYSMAN DISKQUOTA REMOVE

```
SYSMAN> DISKQUOTA REMOVE /DEVICE=DUA45: [TTD,DAVIS]
```

These commands remove UIC [TTD,DAVIS] from the quota file for disk DUA45, which is located on node MARS.

SYSMAN DISKQUOTA SHOW

DISKQUOTA SHOW

Displays quotas, overdrafts, and usage counts.

Requires no additional privileges to display your own quota, overdraft, and usage count, but otherwise requires read (R) access to the quota file.

Format

DISKQUOTA SHOW owner

Parameter

owner

Specifies the user identification code (UIC) or rights identifier. You can specify the UIC in numeric or alphanumeric format. For complete information about UIC specification, refer to the *HP OpenVMS Guide to System Security*.

Rights identifiers are granted with the Authorize utility and use an ID format rather than a UIC format. Refer to the *OpenVMS Programming Concepts Manual* for a complete description of rights identifiers.

You can use an asterisk wildcard character (*) to specify the quota entry as follows:

Command	Description
DISQUOTA SHOW CJ	Show user CJ (if CJ has a unique UIC on the system)
DISKQUOTA SHOW [TTD,CJ]	Show user CJ in group TTD
DISKQUOTA SHOW [TTD,*]	Show all users in group TTD
DISKQUOTA SHOW *	Show all entries

Qualifiers

/DEVICE=device-spec

Specifies the disk volume containing the quota file. DISKQUOTA validates device specification and translates any logical name in the target environment before displaying UIC entries.

Without a device specification, SYSMAN uses the default disk on the target node. Unless you have set a default device with the SET PROFILE command, the default disk is the current device on the local node or the login default device on another node, depending on the established environment.

/OUTPUT[=filespec]

Directs output to the specified file. Without a file specification, /OUTPUT defaults to SYSMAN.LIS in the current directory on the local node where you are running SYSMAN.

Example

```
SYSMAN> DISKQUOTA SHOW [ACCT,*]
```

This command displays quotas, overdrafts, and usage counts for all users in group ACCT on the default disk.

DO

Executes a DCL command or DCL command procedure on all nodes in the current management environment.

Requires the privileges of the DCL command being executed.

Format

DO [command-line]

Parameter

command-line

Specifies a command string that SYSMAN passes to the command line interface (CLI) for execution.

The command DO RUN SYS\$SYSTEM:SYSMAN [SYSMAN-command] is not supported. Instead, follow these steps:

1. Enter RUN SYS\$SYSTEM:SYSMAN at the dollar (\$) prompt.
2. At the SYSMAN> prompt, set the environment to the selected node or nodes with the SET ENVIRONMENT command.
3. Enter a SYSMAN command at the SYSMAN> prompt.

For complete information about DCL command syntax, refer to the *HP OpenVMS DCL Dictionary*.

Qualifiers

/CONFIRM

Verifies that you want to perform a DO command on each node you have specified with the SYSMAN command SET ENVIRONMENT.

When you use the /CONFIRM qualifier, the system prompts you as follows:

Execute command for node <nodename>? [N]:

The following responses are valid:

YES	NO	QUIT	ALL
TRUE	FALSE	<input type="text" value="Ctrl/Z"/>	
1	0	<input type="text" value="Ctrl/C"/>	
	<input type="text" value="Return"/>		

Usage Notes

- Affirmative answers are YES, TRUE, and 1.
- Negative answers are NO, FALSE, 0, and pressing the Return key.
- You can use any combination of uppercase and lowercase letters for word responses.
- You can abbreviate word responses to one or more letters (for example, T, TR, or TRU for TRUE), but these abbreviations must be unique.
- Entering QUIT or pressing Ctrl/C or Ctrl/Z indicates that you want to stop processing the command at that point.

SYSMAN DO

- When you enter ALL, the command continues to process, but the system displays no further prompts.
- If you type a response that is not valid, SYSMAN issues an error message and redisplay the prompt.

/OUTPUT[=filespec]

Records output from the command in the specified file, which is located on the node from which you are executing SYSMAN. Position the qualifier immediately after the DO command. The default file specification is SYSMAN.LIS in the current device and directory. SYSMAN prefaces output with the message “%SYSMAN-I-OUTPUT, command execution on node xxxxxx.”

/PAUSE

Controls the rate at which the system displays information. Using the /PAUSE qualifier causes the system to display information about one node at a time; the system prompts you to press Return when you are ready to display information about the next node.

Description

The DO command executes the accompanying DCL command or DCL command procedure on all nodes in the current environment. Each DO command executes as an independent process, so no process context is retained between DO commands. For this reason, you must express all DCL commands in a single command string, and you cannot run a program that expects input.

In an OpenVMS Cluster environment, SYSMAN executes the commands sequentially on all nodes in the cluster. Each command executes completely before SYSMAN sends it to the next node in the environment. Any node that is unable to execute the command returns an error message. SYSMAN displays an error message if the timeout period expires before the node responds.

The system cannot display output returned from a command of more than 2048 characters without concatenation.

Three exceptions to be aware of when using the DO command in clusters are the following ones:

- In a dual-architecture heterogeneous cluster running both OpenVMS VAX and OpenVMS Alpha, some uses of the DO command may require special handling. For example, if you are installing images that are named differently in each architecture, you can still use the DO command if you create logical name tables for VAX and for Alpha nodes. See the example sequence that follows this description for an example.
- Some DCL commands, such as MOUNT/CLUSTER or SET QUORUM/CLUSTER, operate clusterwide by design. It is best to avoid using these kinds of commands with the DO command in SYSMAN when the environment is set to cluster. As alternatives, you could leave SYSMAN temporarily with the SPAWN command and execute these commands in DCL, or you could define the environment to be a single node within the cluster. Similarly, operations on clusterwide logical names and tables operate clusterwide by design.

- Make sure that if you redefine the logical DCLTABLES, you do so in SYLOGICALS.COM, not in SYSTARTUP_VMS.COM or elsewhere. Otherwise, you will receive a command interpreter failure when executing a DO command on a remote node.

Examples

1. SYSMAN> SET ENVIRONMENT/CLUSTER/NODE=NODE21
SYSMAN> DO/OUTPUT SHOW DEVICE

The first command in this example defines the management environment to be the cluster where NODE21 is a member. The second command executes a DCL command on each node in the cluster. Output goes to the file SYSMAN.LIS rather than to the terminal.

2. SYSMAN> SET ENVIRONMENT/NODE=NODE21
SYSMAN> SET PROFILE /DEFAULT=[CJ.PROGRAMS] -
SYSMAN> /PRIVILEGES=NOSYSRV
SYSMAN> DO/OUTPUT @PROCESS_INFO

The commands in this example define the environment as a single node and adjust the current privileges and directory. The DO command executes the command procedure PROCESS_INFO.COM, located in directory [CJ.PROGRAMS] and writes any output to SYSMAN.LIS in the directory from which SYSMAN is running.

3. \$ CREATE/NAME TABLE/PARENT=LNMS\$SYSTEM_DIRECTORY SYSMAN\$NODE TABLE
\$ DEFINE/TABLE=SYSMAN\$NODE TABLE ALPHA NODES NODE21,NODE22,NODE23
\$ DEFINE/TABLE=SYSMAN\$NODE_TABLE VAX_NODES NODE24,NODE25,NODE26
\$ RUN SYS\$SYSTEM:SYSMAN
SYSMAN> SET ENVIRONMENT/NODE=ALPHA NODES
%SYSMAN-I-ENV, current command environment:
 Individual nodes: NODE21,NODE22,NODE23
 Username BOUCHARD will be used on nonlocal nodes

SYSMAN> DO INSTALL REPLACE SYS\$LIBRARY:DCLTABLES.EXE
%SYSMAN-I-OUTPUT, command execution on node NODE21
%SYSMAN-I-OUTPUT, command execution on node NODE22
%SYSMAN-I-OUTPUT, command execution on node NODE23
SYSMAN> DO INSTALL REPLACE SYS\$SYSTEM:COM_FORTRAN.EXE
%SYSMAN-I-OUTPUT, command execution on node NODE21
%SYSMAN-I-OUTPUT, command execution on node NODE22
%SYSMAN-I-OUTPUT, command execution on node NODE23

SYSMAN> SET ENVIRONMENT/NODE=VAX_NODES
%SYSMAN-I-ENV, current command environment:
 Individual nodes: NODE24,NODE25,NODE26
 Username BOUCHARD will be used on nonlocal nodes

SYSMAN> DO INSTALL REPLACE SYS\$LIBRARY:DCLTABLES.EXE
%SYSMAN-I-OUTPUT, command execution on node NODE24
%SYSMAN-I-OUTPUT, command execution on node NODE25
%SYSMAN-I-OUTPUT, command execution on node NODE26
SYSMAN> DO INSTALL REPLACE SYS\$SYSTEM:FORTRAN\$MAIN.EXE
%SYSMAN-I-OUTPUT, command execution on node NODE24
%SYSMAN-I-OUTPUT, command execution on node NODE25
%SYSMAN-I-OUTPUT, command execution on node NODE26

This example shows how you can define logical names for VAX and Alpha nodes in a dual-architecture heterogeneous cluster, so that you can use the DO command to install architecture-specific images.

SYSMAN DO

```
4. $ RUN SYS$SYSTEM:SYSMAN
SYSMAN> SET ENVIRONMENT/CLUSTER
%SYSMAN-I-ENV, current command environment:
    Clusterwide on local cluster
    Username STEIN will be used on nonlocal nodes
SYSMAN> DO/CONFIRM SHOW TIME
Execute command for node EXPERT? [N]: Y 
%SYSMAN-I-OUTPUT, command execution on node EXPERT
    22-MAR-2002 09:40:28

Execute command for node MODERN? [N]: Y 
%SYSMAN-I-OUTPUT, command execution on node MODERN
    22-MAR-2002 09:40:56

Execute command for node IMPOSE? [N]: N 
Execute command for node ADU26A? [N]: Y 
.
.
.
```

The commands in this example show how to control whether the system displays time for each node in a cluster.

```
5. SYSMAN> DO/PAUSE SHOW TIME
%SYSMAN-I-OUTPUT, command execution on node EXPERT
    22-MAR-2002 09:40:13

Press return to continue 
%SYSMAN-I-OUTPUT, command execution on node MODER
    22-MAR-2002 09:40:41

Press return to continue 
%SYSMAN-I-OUTPUT, command execution on node IMPOSE
    22-MAR-2002 09:39:46

Press return to continue 
.
.
.
```

The commands in this example show how you can control the rate at which information is displayed on your system.

DUMP_PRIORITY ADD (Alpha Only)

On Alpha systems, adds an entry to the System Dump Priority registry file.

The registry data file is the permanent database that survives reboots. It is loaded into memory during a boot. (You can use the DUMP_PRIORITY LOAD command at any time to load the contents of this file into memory.)

When you add an entry to the registry file, you must specify both the process name and UIC.

How Dump Priority Works

BUGCHECK uses the loaded contents of the System Dump Priority registry to select priority processes to dump early on during a selective dump. Adding a dump priority for a process increases the likelihood that the process will be included in a dump, if there is insufficient space for all processes. (The ADD command only adds an entry to the System Dump Priority registry permanent file. For BUGCHECK to be able to see the entry, you must also enter a DUMP_PRIORITY LOAD command.)

BUGCHECK also keeps its own in-memory hardcoded list of priority processes, which are always treated as priority processes, even if the System Dump Priority registry is empty. These processes are the following:

Process Name	UIC
MSCPmount	[1,4]
AUDIT_SERVER	[1,4]
NETACP	[1,4]
NET\$ACP	[1,3]
REMACP	[1,3]
LES\$ACP	[1,4]

Note that you cannot see, change, or delete these default processes with DUMP_PRIORITY commands.

If you enter a process into the System Dump Priority registry, that process is dumped earlier, because user-specified priority processes are dumped before processes that are hardcoded into BUGCHECK.

Keep in mind that BUGCHECK keeps track of the processes that have been dumped, so that no process is dumped twice.

Format

```
DUMP_PRIORITY ADD process-name /UIC=uic [/WILD_CARD]
```

Parameter

process-name

The exact name of the process. If the process name is mixed-case or includes spaces or any other nonstandard OpenVMS characters, you must enclose it in double quotes; for example, "My Process".

SYSMAN

DUMP_PRIORITY ADD (Alpha Only)

You can use wildcard characters (* and %). Because these characters are valid characters in any process name, you must include the wildcard flag /WILD_CARD. Setting the /WILD_CARD flag for a specific process entry tells BUGCHECK to treat the asterisk (*) and percent-sign (%) as wild cards.

Qualifiers

/UIC

Specifies the UIC of the entry to add. You must enclose the UIC in brackets ([]). You can specify the /UIC with an octal number (for example, [377,377]) or in the identifier form (for example, [SYSTEM] or [VMS,USER]).

Wildcards are allowed as follows:

Wildcard Example	Description
/UIC = [*]	To select processes with the specified name in any UIC.
/UIC = [group,*]	To select processes with the specified name in the group called "group".
/UIC = [100,*]	To select processes with the specified name in group 100>.

Note

You cannot use wildcards within identifier names or within UIC numbers. For example, /UIC=[USER*,*] or /UIC=[17*,100] are not allowed.

/WILD_CARD /NOWILD_CARD

Specifies whether or not wildcard characters in the process name are to be treated as wildcards. Note, however, that you cannot add the same process name and UIC combination both with and without the /WILD_CARD qualifier. If the combination has already been specified, use the DUMP_PRIORITY MODIFY command to change the wildcard setting.

The /WILD_CARD setting affects only the process name. Wildcards are always allowed in the UIC.

Example

```
SYSMAN> DUMP_PRIORITY ADD "MyPro*" /UIC=[*] /WILD_CARD
SYSMAN> DUMP_PRIORITY LIST
%SYSMAN-I-OUTPUT, command execution on node VMS73

Process name   UIC           Wild Card
MyPro*        [*]           Y
```

The first command in this example adds an entry to the System Dump Priority registry. The process name is "MyPro*" with any UIC, and BUGCHECK will treat the asterisk (*) in MyPro* as a wildcard when the registry is loaded into memory.

BUGCHECK treats the UIC wildcard asterisk (*) as a wildcard, even if you do not specify the /WILD_CARD qualifier on the command line.

SYSMAN DUMP_PRIORITY ADD (Alpha Only)

The Y under the Wild Card heading means that the /WILD_CARD qualifier has been specified on the command line and a wildcard has been specified in the process name.

SYSMAN DUMP_PRIORITY LIST (Alpha Only)

DUMP_PRIORITY LIST (Alpha Only)

On Alpha systems, lists the contents of the System Dump Priority registry file.

Format

DUMP_PRIORITY LIST

Parameters

None.

Qualifiers

None.

Example

```
SYSMAN> DUMP_PRIORITY LIST
%SYSMAN-I-OUTPUT, command execution on node VMS73
Process name    UIC                               Wild Card
MSCPmount       [SYSTEM]                                   N
NETACP         [SYSTEM]                                   N
NET$ACP        [1,3]                                     N
REMACP         [1,3]                                     N
LES$ACP        [SYSTEM]                                   N
SYSMAN>
```

The command in this example produces a list of the contents of the System Dump Priority registry, including the process name and UIC of each entry. The list also shows N under the Wild Card heading, which indicates that BUGCHECK is to match the process name exactly during a crash. (However, N or Y under Wild Card is important only if the the process name contains one or more wildcard characters.)

DUMP_PRIORITY LOAD (Alpha Only)

On Alpha systems, loads the contents of the System Dump Priority registry file into memory for BUGCHECK to use.

Format

DUMP_PRIORITY LOAD

Parameters

None.

Qualifiers

None.

Example

```
SYSMAN> DUMP_PRIORITY SHOW
%SMI-F-SDPNOTLOAD, System Dump Priority not loaded
SYSMAN> DUMP_PRIORITY LOAD
SYSMAN> DUMP_PRIORITY SHOW
%SYSMAN-I-OUTPUT, command execution on node VMS73
Process name    UIC                               Wild Card
MSCPmount       [SYSTEM]                                N
NETACP          [SYSTEM]                                N
NET$ACP         [00001,000003]                          N
REMACP          [00001,000003]                          N
LES$ACP         [SYSTEM]                                N
SYSMAN>
```

The first command in the example displays the message that the System Dump Priority registry file has not been loaded into memory. The second command loads the registry file into memory for BUGCHECK to use, and the third command displays the contents of the registry file that have been loaded into memory.

SYSMAN DUMP_PRIORITY MODIFY (Alpha Only)

DUMP_PRIORITY MODIFY (Alpha Only)

On Alpha systems, modifies an entry in the System Dump Priority registry file.

Format

```
DUMP_PRIORITY MODIFY process-name /UIC=uc  
[ /NEWUIC=newuic ][ /WILD_CARD ]
```

Parameter

process-name

The exact name of the process. If the process name is mixed-case or includes spaces or any other nonstandard OpenVMS characters, you must enclose the process name in double quotes; for example, "My Process". Also, when you enter a DUMP_PRIORITY MODIFY command, be sure to enter the process name *exactly* as it is displayed when you enter a DUMP_PRIORITY LIST command, because the system searches for that process name to find the entry to modify.

Qualifiers

/UIC

Specifies the UIC of the entry in the registry that you want to modify. The UIC and process name together make the entry unique. Specify the UIC as it is displayed when you enter the DUMP_PRIORITY LIST command.

/NEWUIC

Modifies the UIC of an entry that you specify by its process name and current UIC. You can specify the /NEWUIC with an octal number (for example, [377,377]) or in the identifier form (for example, [SYSTEM] or [VMS,USER]).

Wildcards are allowed as follows:

Wildcard Example	Description
/UIC = [*]	To select processes with the specified name in any UIC.
/UIC = [group,*]	To select processes with the specified name in the group called "group".
/UIC = [100,*]	To select processes with the specified name in group 100>.

Note

You cannot use wildcards within identifier names or within UIC numbers. For example, /UIC=[USER*,*] or /UIC=[17*,100] are not allowed.

/WILD_CARD

/NOWILD_CARD

The /WILD_CARD qualifier, used together with the MODIFY command, modifies the wildcard setting on the entry that you are modifying. If you omit /WILD_CARD, the current wildcard setting is retained.

Example

```
SYSMAN> DUMP_PRIORITY LIST

%SYSMAN-I-OUTPUT, command execution on node VMS73

Process name      UIC                               Wild Card
MSCP*             [SYSTEM]                                         Y
NETACP           [SYSTEM]                                         N

SYSMAN> DUMP_PRIORITY MODIFY "MSCP*"/UIC=[SYSTEM]/NEWUIC=[TEST]/NOWILD_CARD ❶
SYSMAN> DUMP_PRIORITY LIST

%SYSMAN-I-OUTPUT, command execution on node VMS73

Process name      UIC                               Wild Card
MSCP*             [TEST]                                          N
NETACP           [SYSTEM]                                         N

SYSMAN> DUMP_PRIORITY MODIFY "MSCP*"/UIC=[TEST]/NEWUIC=[*] ❷
SYSMAN> DUMP_PRIORITY LIST

%SYSMAN-I-OUTPUT, command execution on node VMS73

Process name      UIC                               Wild Card
MSCP*             [*]                                           N
NETACP           [SYSTEM]                                         N

SYSMAN> DUMP_PRIORITY MODIFY "MSCP*"/UIC=[*]/WILD_CARD ❸
%SYSMAN-I-OUTPUT, command execution on node VMS73

Process name      UIC                               Wild Card
MSCP*             [*]                                           Y
NETACP           [SYSTEM]                                         N
```

Refer to the numbers at the end of the DUMP_PRIORITY MODIFY command lines in the example, which correspond to the numbered explanations that follow. (The DUMP_PRIORITY LIST command, after each MODIFY command, displays the results of the modifications in the System Dump Priority registry.)

- ❶ The first DUMP_PRIORITY MODIFY command modifies the MSCP* entry with the current UIC [SYSTEM] the new UIC [TEST]. It also changes the /WILD_CARD flag to /NOWILD_CARD. If the System Dump Priority registry is then loaded into memory, BUGCHECK will not treat the asterisk (*) in the process name as a wildcard, but rather, will do an exact character match of MSCP*.
- ❷ The second DUMP_PRIORITY MODIFY command modifies only the UIC of the entry to [*]. Omitting the /[NO]WILD_CARD qualifier will leave the current setting unchanged.
- ❸ The third DUMP_PRIORITY MODIFY command modifies only the process name wildcarding flag with the /WILD_CARD qualifier.

SYSMAN DUMP_PRIORITY REMOVE (Alpha Only)

DUMP_PRIORITY REMOVE (Alpha Only)

On Alpha systems, removes a record from the System Dump Priority registry file.

Format

```
DUMP_PRIORITY REMOVE process-name /UIC=uic
```

Parameter

process-name

The exact name of the process. If the process name is mixed-case or includes spaces or any other nonstandard OpenVMS characters, you must enclose the process name in double quotes; for example, "My Process". Also, when you enter a DUMP_PRIORITY REMOVE command, be sure to enter the process name *exactly* as it is displayed when you enter a DUMP_PRIORITY LIST command, because the system searches for that process name to find the entry to remove.

Qualifier

/UIC

Specifies the UIC of the entry in the registry that you want to remove. The UIC and process name together make the entry unique. Specify the UIC as it is displayed when you enter the DUMP_PRIORITY LIST command.

Example

```
SYSMAN> DUMP_PRIORITY LIST
%SYSMAN-I-OUTPUT, command execution on node VMS73
Process name    UIC                               Wild Card
MSCPmount       [SYSTEM]                                       N
NETACP         [SYSTEM]                                       N
NET$ACP        [1,3]                                         N
REMACP         [1,3]                                         N
LES$ACP        [SYSTEM]                                       N

SYSMAN> DUMP_PRIORITY REMOVE "MSCPmount"/UIC=[SYSTEM]
SYSMAN> DUMP_PRIORITY LIST
%SYSMAN-I-OUTPUT, command execution on node VMS73
Process name    UIC                               Wild Card
NETACP         [SYSTEM]                                       N
NET$ACP        [1,3]                                         N
REMACP         [1,3]                                         N
LES$ACP        [SYSTEM]                                       N
```

The DUMP_PRIORITY REMOVE command in this example removes the entry MSCPmount with the UIC of [SYSTEM] from the System Dump Priority registry file. (The process name MSCPmount is enclosed in quotes because it is mixed-case.)

DUMP_PRIORITY SHOW (Alpha Only)

On Alpha systems, lists the contents of the in-memory copy of the System Dump Priority registry file.

Format

DUMP_PRIORITY SHOW

Parameters

None.

Qualifiers

None.

Example

```
SYSMAN> DUMP_PRIORITY SHOW
%SMI-F-SDPNOTLOAD, System Dump Priority not loaded

SYSMAN> DUMP_PRIORITY LOAD
SYSMAN> DUMP_PRIORITY SHOW
%SYSMAN-I-OUTPUT, command execution on node VMS73
Process name    UIC                               Wild Card
MSCPmount       [SYSTEM]                               N
NETACP         [SYSTEM]                               N
NET$ACP        [00001,000003]                         N
REMACP         [00001,000003]                         N
LES$ACP        [SYSTEM]                               N
SYSMAN>
```

The first DUMP_PRIORITY SHOW command in the example results in the display indicating that the System Dump Priority registry file has not been loaded into memory. The second DUMP_PRIORITY SHOW command, which follows a LOAD command, displays an in-memory copy of the file.

SYSMAN DUMP_PRIORITY UNLOAD (Alpha Only)

DUMP_PRIORITY UNLOAD (Alpha Only)

On Alpha systems, clears the in-memory copy of the System Dump Priority registry file.

Format

DUMP_PRIORITY UNLOAD

Parameters

None.

Qualifiers

None.

Example

```
SYSMAN> DUMP_PRIORITY UNLOAD
SYSMAN> DUMP_PRIORITY SHOW
%SMI-F-SDPNOTLOAD, System Dump Priority not loaded
```

Following a DUMP_PRIORITY UNLOAD command, the DUMP_PRIORITY SHOW command in this example displays the message that the System Dump Priority registry no longer has an in-memory copy of the file.

EXIT

Terminates the SYSMAN session and returns control to the DCL command level. Any profile changes, established on the local node with the command SET PROFILE, are restored to their values at the time SYSMAN was invoked. You can also press Ctrl/Z to exit at any time.

Format

EXIT

Parameters

None.

Qualifiers

None.

SYSMAN HELP

HELP

Provides online help for using the SYSMAN commands, parameters, and qualifiers. Press Ctrl/Z to exit.

Format

HELP [keyword...]

Parameter

keyword

Specifies the command, parameter, or qualifier for which you want help. If you omit the keyword, the HELP command displays a list of Help topics and prompts you for a particular keyword.

Qualifiers

None.

Example

```
SYSMAN> HELP DO
```

This command displays help information about the SYSMAN command DO.

IO AUTOCONFIGURE (Alpha Only)

On Alpha systems, automatically identifies and configures all hardware devices attached to a system by connecting devices and loading their drivers. On VAX systems, use the SYSGEN command AUTOCONFIGURE.

You must have CMKRNL and SYSLCK privileges to use the SYSMAN IO AUTOCONFIGURE command.

Format

IO AUTOCONFIGURE

Parameters

None.

Qualifiers

/SELECT=(device_name)

Specifies the device type to be automatically configured. Use valid device names or mnemonics that indicate the devices to be included in the configuration. You can use wildcard characters with this qualifier.

See the Usage Notes under the /EXCLUDE qualifier for notes that apply to both qualifiers.

Table 7-2 shows /SELECT qualifier examples.

Table 7-2 /SELECT Qualifier Examples

Command	Devices That Are Configured	Devices That Are Not Configured
/SELECT=P*	PKA,PKB,PIA	None
/SELECT=PK*	PKA,PKB	PIA
/SELECT=PKA*	PKA	PKB,PIA

/EXCLUDE=(device_name)

Specifies the device type that should not be automatically configured. Use valid device names or mnemonics that indicate the devices to be excluded from the configuration. You can use wildcard characters with this qualifier.

Usage Notes for the /SELECT and /EXCLUDE Qualifiers

- The /SELECT and /EXCLUDE qualifiers are not mutually exclusive, as they are on VAX systems. You can specify both qualifiers on the command line.
- You can use the /SELECT and /EXCLUDE qualifiers to permanently specify device autoconfiguration to include and exclude Fibre Channel port driver devices (FG) and any SCSI port driver devices (PK) for the duration of a manual autoconfiguration command. (To permanently specify devices to be excluded at each system boot, use the SYSMAN command IO SET EXCLUDE.)

SYSMAN IO AUTOCONFIGURE (Alpha Only)

You cannot use the `/SELECT` and `/EXCLUDE` qualifiers to include and exclude any of the following device types:

- SCSI class-driver devices (DK, MK, GK) whose names include a port allocation class or an HSZ allocation class
- Fibre Channel class-driver devices (PG, DG, GG)

This restriction also applies to SCSI devices on OpenVMS Alpha Version 7.1 systems, if the SCSI device names include a port allocation class.

/LOG

Controls whether the SYSMAN IO AUTOCONFIGURE command displays information about loaded devices.

Description

The SYSMAN IO AUTOCONFIGURE command identifies and configures all hardware devices attached to a system. VAX system managers use the SYSGEN command AUTOCONFIGURE. It connects devices and loads their drivers. You must have CMKRNL and SYSLCK privileges to use the SYSMAN IO AUTOCONFIGURE command.

Examples

1. SYSMAN> IO AUTOCONFIGURE/EXCLUDE=DKA0

This command autoconfigures all devices on the system except DKA0.

IO AUTOCONFIGURE automatically configures all standard devices that are physically attached to the system, except for the network communications device.

2. SYSMAN> IO AUTOCONFIGURE/LOG

The `/LOG` qualifier displays information about all the devices that AUTOCONFIGURE loads.

IO CONNECT (Alpha Only)

On Alpha systems, connects a hardware device and loads its driver, if the driver is not already loaded. On VAX systems, use the SYSGEN command CONNECT.

You must have CMKRNL and SYSLCK privileges to use the SYSMAN IO CONNECT command.

Note

Be very careful when issuing a SYSMAN IO CONNECT command because the system does little error-checking. A misspelled device name, for example, will damage the I/O database and could cause the system to fail.

Format

IO CONNECT device-name[:]

Parameter

device-name[:]

Specifies the name of the hardware device to be connected. The device name requires the following format:

device-type controller unit-number

For example, in the designation LPA0, LP is a line printer on controller A at unit number 0. If you use the /NOADAPTER qualifier, the device is the software to be loaded.

Qualifiers

/ADAPTER=tr_number

/NOADAPTER (default)

Specifies the nexus number of the adapter to which the specified device is connected. It is a nonnegative 32-bit integer. The /NOADAPTER qualifier indicates that the device is not associated with any particular hardware. The /NOADAPTER qualifier is compatible with the /DRIVER_NAME qualifier only.

/CSR=csr_address

Specifies the CSR address for the device being configured. This address must be specified in hexadecimal. You must precede the CSR address with %X. The CSR address is a quadword value that is loaded into IDB\$Q_CSR without any interpretation by SYSMAN. This address can be physical or virtual, depending on the specific device being connected:

- /CSR=%X3A0140120 for a physical address
- /CSR=%XFFFFFFFF807F8000 for a virtual address (the sign extension is required for Alpha virtual addresses)

This qualifier is required if /ADAPTER=tr_number is specified.

SYSMAN IO CONNECT (Alpha Only)

/DRIVER_NAME=filespec

Specifies the name of the device driver that you are loading. If you do not specify this qualifier, SYSMAN obtains the default in the same way that the SYSGEN default name is determined. For example, if you want to load the HP-supplied SYS\$ELDRIVER.EXE, the prefix SYS\$ must be present. Without the SYS\$, SYSMAN looks for ELDRIVER.EXE in SYS\$LOADABLE_IMAGES. This implementation separates the user device driver namespace from the HP-supplied device driver namespace.

/LOG=(ALL,CRB,DDB,DPT,IDB,SB,UCB)

/NOLOG (default)

Controls whether SYSMAN displays the addresses of the specified control blocks. The default value for the /LOG qualifier is /LOG=ALL. If /LOG=UCB is specified, a message similar to the following one is displayed:

```
%SYSMAN-I-IOADDRESS, the UCB is located at address 805AB000
```

/MAX_UNITS=maximum-number-of-units

Specifies the maximum number of units the driver can support. The default is specified in the driver prologue table (DPT) of the driver. If the number is not specified in the DPT, the default is 8. This number must be greater than or equal to the number of units specified by /NUM_UNITS. This qualifier is optional.

/NUM_UNITS=number-of-units

Specifies the number of units to be created. The starting device number is the number specified in the device name parameter. For example, the first device in DKA0 is 0. Subsequent devices are numbered sequentially. The default is 1. This qualifier is optional.

/NUM_VEC=vector-count

Specifies the number of vectors for this device. The default vector count is 1. The /NUM_VEC qualifier is optional. This qualifier should be used only when using the /VECTOR_SPACING qualifier. When using the /NUM_VEC qualifier, you must also use the /VECTOR qualifier to supply the base vector.

/SYS_ID=number-of-remote-system

Indicates the SCS system ID of the remote system to which the device is to be connected. It is a 64-bit integer; you must specify the remote system number in hexadecimal. The default is the local system. This qualifier is optional.

/VECTOR=(vector-address,...)

Specifies the interrupt vectors for the device or lowest vector. This is either a byte offset into the SCB of the interrupt vector for directly vectored interrupts or a byte offset into the ADP vector table for indirectly vectored interrupts. The values must be longword aligned. To specify the vector address in octal or hexadecimal, precede the address with %O or %X, respectively. The /VECTOR qualifier is required when you use the /ADAPTER=*tr_number* qualifier or the /NUM_VEC=*vector-count* qualifier. You can list up to 64 vectors.

/VECTOR_SPACING=number-of-bytes-between-vectors

Specifies the spacing between vectors. Specify the amount as a multiple of 16 bytes. The default is 16. You must specify both the base vector with /VECTOR and the number of vectors with /NUM_VEC. This qualifier is optional.

Description

The SYSMAN IO CONNECT command connects a hardware device and loads its driver, if the driver is not already loaded. VAX system managers use the SYSGEN command CONNECT. You must have CMKRNL and SYSLCK privileges to use the SYSMAN IO CONNECT command.

The chapter “Managing Peripheral Devices” in the *HP OpenVMS System Manager’s Manual* contains information about file-based device configuration support.

Examples

1. SYSMAN> IO CONNECT DKA0:/DRIVER_NAME=SYS\$DKDRIVER/CSR=%X80AD00-
/ADAPTER=4/NUM_VEC=3/VECTOR_SPACING=%X10/VECTOR=%XA20/LOG

```
%SYSMAN-I-IOADDRESS, the CRB is located at address 805AEC40
%SYSMAN-I-IOADDRESS, the DDB is located at address 805AA740
%SYSMAN-I-IOADDRESS, the DPT is located at address 80D2A000
%SYSMAN-I-IOADDRESS, the IDB is located at address 805AEE80
%SYSMAN-I-IOADDRESS, the SB is located at address 80417F80
%SYSMAN-I-IOADDRESS, the UCB is located at address 805B68C0
```

The command in this example connects device DKA0, loads driver SYS\$DKDRIVER, and specifies the following data:

- Physical CSR address
- Adapter number
- Number of vectors
- Spacing between vectors
- Interrupt vector address

The /LOG qualifier displays the addresses of all control blocks, as shown.

2. SYSMAN> IO CONNECT DKA0:/DRIVER_NAME=SYS\$DKDRIVER/CSR=%X80AD00-
/ADAPTER=4/VECTOR=(%XA20,%XA30,%XA40)/LOG=(CRB,DPT,UCB)

```
%SYSMAN-I-IOADDRESS, the CRB is located at address 805AEC40
%SYSMAN-I-IOADDRESS, the DPT is located at address 80D2A000
%SYSMAN-I-IOADDRESS, the UCB is located at address 805B68C0
```

The command in this example connects device DKA0, loads driver SYS\$DKDRIVER, and specifies the following data:

- Physical CSR address
- Adapter number
- Addresses for interrupt vectors

The /LOG qualifier displays the addresses of the channel request block (CRB), the driver prologue table (DPT), and the unit control block (UCB).

3. SYSMAN> IO CONNECT FTA0:/DRIVER=SYS\$FTDRIVER/NOADAPTER/LOG=(ALL)

```
%SYSMAN-I-IOADDRESS, the CRB is located at address 805AEC40
%SYSMAN-I-IOADDRESS, the DDB is located at address 805AA740
%SYSMAN-I-IOADDRESS, the DPT is located at address 80D2A000
%SYSMAN-I-IOADDRESS, the IDB is located at address 805AEE80
%SYSMAN-I-IOADDRESS, the SB is located at address 80417F80
%SYSMAN-I-IOADDRESS, the UCB is located at address 805B68C0
```

The command in this example connects pseudoterminal FTA0, loads driver SYS\$FTDRIVER, and uses the /NOADAPTER qualifier to indicate that FTA0

SYSMAN IO CONNECT (Alpha Only)

is not an actual hardware device. The `/LOG=(ALL)` qualifier displays the addresses of all control blocks, as shown.

For more information about loading and configuring device drivers, refer to *Writing OpenVMS Alpha Device Drivers in C* (Margie Sherlock and Leonard S. Szubowicz, Digital Press, 1996).

IO CREATE_WWID (Alpha Only)

Assigns a specific, previously unused device name to a specific, previously unused worldwide identifier (WWID) from the SYSMAN IO LIST_WWID display.

HP recommends that you execute this command clusterwide and that you follow the command with a SYSMAN IO AUTOCONFIGURE command to actually configure the device.

Format

```
IO CREATE_WWID devnam_string/WWID=wwid_string
```

Parameter

devnam_string

Specifies a device-name string. The string must be in the form \$2\$MGA n , where n is less than 9999.

Qualifier

/WWID=wwid_string

Specifies a WWID string that comes directly from a SYSMAN IO LIST_WWID display.

This qualifier is required.

Description

This command is an alternative to the SYSMAN IO FIND_WWID command, which selects system-generated device names for the discovered WWIDs. Do not, however, use the SYSMAN IO CREATE_WWID command after the SYSMAN IO FIND_WWID command to redefine WWID correlations. Also, do not specify device and WWID strings in the SYSMAN IO CREATE_WWID command that are specified elsewhere in the cluster.

Example

```
SYSMAN> SET ENVIRONMENT/CLUSTER
SYSMAN> IO CREATE_WWID $2$MGA5/WWID=04100022:"DEC TZ89 (C) DECCX939S2777"
SYSMAN> IO CREATE_WWID $2$MGA3/WWID=02000008:500E-09E0-0005-30D7
SYSMAN> IO AUTOCONFIGURE
```

The commands in this example create two device names, \$2\$MGA5 and \$2\$MGA3, and configure the devices.

SYSMAN IO FIND_WWID (Alpha Only)

IO FIND_WWID (Alpha Only)

The SYSMAN IO FIND_WWID command probes all Fibre Channel ports, detects all previously undiscovered tapes and medium changers behind a Network Storage Router (NSR) or a Modular Data Router (MDR), and assigns a worldwide identifier (WWID) to each one.

The command also displays a list of the devices and their assigned device names and automatically records this information in the SYS\$SYSTEM:SYS\$DEVICES.DAT file. Finally, the command updates relevant local and clusterwide memory structures.

To configure newly attached Fibre Channel tapes, use this command prior to running the SYSMAN command IO AUTOCONFIGURE.

You must have CMKRNL privilege to use the SYSMAN IO FIND_WWID command.

For more information about Fibre Channel, see the *Guidelines for OpenVMS Cluster Configurations*.

Format

```
IO FIND_WWID
```

Description

Prior to configuring a tape device on Fibre Channel ports, the worldwide identifier (WWID) of the device must be detected and stored, along with a device name, in the text file SYS\$SYSTEM:SYS\$DEVICES.DAT. You use the SYSMAN command IO FIND_WWID to accomplish this.

The SYSMAN IO FIND_WWID command probes all Fibre Channel ports and locates all tape and medium changer devices. For tapes and medium changers that have not been detected by any previous SYSMAN IO FIND_WWID command, IO FIND_WWID assigns a device name, retrieves the WWID of the device, stores the device name and WWID data in the SYS\$SYSTEM:SYS\$DEVICES.DAT file, and updates memory structures.

Because the main goal of SYSMAN IO FIND_WWID is to populate the SYS\$DEVICES.DAT file, you need to invoke the SYSMAN IO FIND_WWID command only one time for each new device. Note that using the SYSMAN IO FIND_WWID command for the first time detects all existing tape and medium changer devices on the system at that time.

Once the information is stored in the file, subsequent use of the SYSMAN IO AUTOCONFIGURE command reads the file and configures the tape and medium changer devices automatically, loading or connecting the device drivers as needed. The SYS\$DEVICES.DAT file is read during each system reboot, initiating the automatic configuration of tapes and medium changers on the Fibre Channel. (SYSMAN IO FIND_WWID does not load or connect the actual device drivers.)

Note

If you add more devices to the system at a later time, you must powercycle the MDR to update internal mapping information. You must also run the SYSMAN IO FIND_WWID command again to append the new device information to the SYS\$DEVICES.DAT file.

SYSMAN IO FIND_WWID (Alpha Only)

Similarly, for the Network Storage Router (NSR), the LUN map must be updated.

In an OpenVMS cluster environment, you must run the SYSMAN IO FIND_WWID command on each node in the cluster to update various data structures in memory. Alternatively, you can run SYSMAN IO FIND_WWID on one node, and then reboot the other nodes that share that same system disk, because the SYS\$DEVICES.DAT file is read at boot time and causes memory structures to be correctly initialized.

In the case of multiple system disks in the cluster, ensure that all copies of the SYS\$DEVICES.DAT file are kept consistent, preferably by running the SYSMAN IO FIND_WWID command on all nodes. Alternatively, you can run IO FIND_WWID to update just one SYS\$DEVICES.DAT file, and then manually edit the remaining SYS\$DEVICES.DAT files by cutting and pasting the appropriate devnam/WWID records from the original file to the target files.

HP recommends that you refrain from copying the entire original file to another system disk, because the SYS\$DEVICES.DAT file is also used to define Port Allocation Classes, and PAC entries could be inadvertently transferred to the target system.

Example

```
SYSMAN> IO FIND_WWID
%SYSMAN-I-OUTPUT, command execution on node SAMPLE
On port _SAMPLE$PGA0:, the following tape WWIDs and their proposed
device names have been found but not yet configured:

    [Device $2$GGA0]
    WWID=04100024:"DEC      TL800      (C) DEC3G9CCR82A017"

    [Device $2$MGA0]
    WWID=04100022:"DEC      TZ89       (C) DECCX939S2777"

    [Device $2$MGA1]
    WWID=04100022:"DEC      TZ89       (C) DECCX942S6295"
```

This is a configuration example using a TL891 tape library. The SYSMAN command IO FIND_WWID displays a list of all previously undiscovered tape devices and their device names.

Note that the overall WWID consists of everything to the right of the equal sign. Each such WWID is unique; however, the header portion might not be unique, because the header reflects only the basic type and length of the WWID data.

The SYSMAN IO FIND_WWID command automatically records the information about the new tape devices in SYS\$SYSTEM:SYS\$DEVICES.DAT:

SYSMAN IO FIND_WWID (Alpha Only)

```
$ TYPE SYS$SYSTEM:SYS$DEVICES.DAT
!  
! Updated 23-OCT-2002 14:17:41.85: DEC TL800
!  
[Device $2$GGA0]
WWID=04100024:"DEC      TL800      (C) DEC3G9CCR82A017"
!  
!  
! Updated 23-OCT-2002 14:17:41.93: DEC TZ89
!  
[Device $2$MGA0]
WWID=04100022:"DEC      TZ89      (C) DECCX939S2777"
!  
!  
! Updated 23-OCT-2002 14:17:42.01: DEC TZ89
!  
[Device $2$MGA1]
WWID=04100022:"DEC      TZ89      (C) DECCX942S6295"
!
```

You would then use the SYSMAN command IO CONFIGURE to configure these devices. After you completed this step, the SHOW DEVICE/FULL command would display the worldwide identifier of the tape.

IO LIST_WWID (Alpha Only)

Applies only to tape devices on Fibre Channel. Lists all tape device WWIDs that are not yet configured on Fibre Channel.

You can use the output of this command as input to the SYSMAN IO CREATE_WWID and SYSMAN IO REPLACE_WWID commands.

Format

IO LIST_WWID

Example

```
SYSMAN> IO LIST_WWID
%SYSMAN-I-OUTPUT, command execution on node ROCKY
On port _ROCKY$PGA0:, the following tape WWIDs are not yet configured:
Target 3, LUN 1, COMPAQ SuperDLT1
WWID=02000008:500E-09E0-0005-30D7
Target 3, LUN 3, COMPAQ SDX-500C
WWID=0C000008:0800-4606-C00D-473F
Target 4, LUN 1, COMPAQ SuperDLT1
WWID=02000008:500E-09E0-0005-30D7
Target 4, LUN 3, COMPAQ SDX-500C
WWID=0C000008:0800-4606-C00D-473F
```

In this example, each drive is listed twice because the tape bridge is dual-ported, with one FC port at target 3 and the other FC port at target 4.

SYSMAN IO LOAD (Alpha Only)

IO LOAD (Alpha Only)

On Alpha systems, loads an I/O driver. On VAX systems, use the SYSGEN command LOAD.

You must have CMKRNL and SYSLCK privileges to use the SYSMAN IO LOAD command.

Note

Be very careful when issuing a SYSMAN IO LOAD command because the system does little error-checking.

Format

IO LOAD filespec

Parameter

filespec

Specifies the file name of the driver to be loaded. This parameter is required.

Qualifier

/LOG=(ALL,DPT)

Controls whether SYSMAN displays information about drivers that have been loaded. The default value for the /LOG qualifier is /LOG=ALL. The driver prologue table (DPT) address is displayed when either /LOG=DPT or /LOG=ALL is specified.

Description

The SYSMAN IO LOAD command loads an I/O driver. VAX system managers use the SYSGEN command LOAD. You must have CMKRNL and SYSLCK privileges to use the SYSMAN IO LOAD command.

Example

```
SYSMAN> IO LOAD/LOG SYS$DKDRIVER
%SYSMAN-I-IOADDRESS, the DPT is located at address 80D5A000
```

This example loads device SYS\$DKDRIVER and displays the address of the driver prologue table (DPT).

IO REBUILD (Alpha Only)

On Alpha systems, rebuilds device configuration tables in preparation for using the SYSMAN IO AUTOCONFIGURE command to reconfigure the system.

You must have CMKRNL privilege to use the SYSMAN IO REBUILD command.

Format

IO REBUILD

Parameters

None.

Qualifier

/VERIFY

Causes SYSMAN to read and process the files SYS\$SYSTEM:SYS\$USER_CONFIG.DAT and SYS\$SYSTEM:CONFIG.DAT, but not to apply the files to the I/O database. Messages will be displayed for any errors that are encountered. This command can be used by developers to test new changes to SYS\$SYSTEM:SYS\$USER_CONFIG.DAT without modifying the current system.

Description

The SYSMAN IO REBUILD command rebuilds the system's device configuration tables by reading and parsing the SYS\$SYSTEM:SYS\$USER_CONFIG.DAT and SYS\$SYSTEM:SYS\$CONFIG.DAT files.

To debug modifications to the SYS\$SYSTEM:SYS\$USER_CONFIG.DAT file, you can use the SYSMAN IO REBUILD and SYSMAN IO AUTOCONFIGURE commands to load drivers without having to reboot. Once you load a driver for an adapter, however, you cannot reload it without rebooting the system.

Example

```
SYSMAN> IO REBUILD  
SYSMAN> IO AUTOCONFIGURE
```

The first command in this example rebuilds device configuration tables. The second command reads the device configuration tables and loads drivers for newly defined drivers.

SYSMAN IO REPLACE_WWID (Alpha Only)

IO REPLACE_WWID (Alpha Only)

This command allows a user to replace one tape drive behind a Network Storage Router (NSR) with another tape drive at the same Fibre Channel (FC) Logical Unit Number (LUN) location.

This command updates all the necessary file and memory data structures with the WWID of the new tape drive. The name of the replacement drive will be the same as the name of the original drive.

This command is primarily intended to be used when a hardware problem occurs on a tape drive, and a replacement drive must be installed in its place.

The command requires CMKRNL privilege. It applies only to FC tapes behind a Fibre Channel tape bridge such as an NSR or MDR (Modular Data Router).

For more information about Fibre Channel, see the *Guidelines for OpenVMS Cluster Configurations*.

Format

```
IO REPLACE_WWID devnam_string/WWID=wwid_string
```

Parameter

devnam_string

Specifies a tape device name.

Qualifier

/WWID=wwid_string

Specifies a string that comes directly from a SYSMAN IO LIST_WWID display. The use of this qualifier is appropriate only under the circumstances explained in the description below.

Description

You can use the two parameters, *devnam_string* and *wwid_string*, with the REPLACE_WWID command to replace a broken tape device with a new device. The command automatically updates the data structures that record the new devnam-WWID correlation, and the device automatically begins to function correctly.

This command is useful in two different cases:

- In one case, the drive might malfunction and need to be replaced immediately without rebooting the system. If this happens, the drive is physically replaced with a new drive, and the command SYSMAN IO REPLACE_WWID *\$2\$MGAn* is issued clusterwide. The /WWID qualifier is not appropriate in this case, because the new WWID is automatically detected using information stored in the device's data structures.
- In the other case, the drive might malfunction and not be replaced until after the system has been shut down or rebooted. The device name no longer appears in the SHOW DEVICE display because the device failed to configure during the reboot.

SYSMAN IO REPLACE_WWID (Alpha Only)

The configuration failure occurred either because the broken drive did not respond, or because the new drive has a different WWID from the one SYSMAN IO AUTOCONFIGURE expected at boot time. Therefore, in this situation, in which the device name is in SYS\$DEVICES.DAT but not in the SHOW DEVICE display, use the /WWID qualifier to define the new devnam-WWID correlation.

Follow these steps clusterwide:

1. Execute the SYSMAN IO LIST_WWID command to display the new WWID.
2. Use the command SYSMAN IO REPLACE_WWID \$2\$MGA_n/WWID=new_wwid to define the new correlation.
3. Use the SYSMAN IO AUTOCONFIGURE command to configure the device.

When you use the SYSMAN IO LIST_WWID command, keep in mind that:

- You must set the replacement device to the same SCSI target ID as the original device.
- You must stop all activity on the device before issuing the SYSMAN IO REPLACE_WWID command.
- The command requires CMKRNL privilege and applies only to FC tapes behind an NSR or MDR.

Example

```
SYSMAN> SET ENVIRONMENT/CLUSTER
SYSMAN> IO REPLACE_WWID $2$MGA3/WWID=02000008:500E-09E0-0005-30D7
SYSMAN> IO AUTOCONFIGURE
```

In this example, the device named \$2\$MGA3 malfunctioned and was replaced while the system was down. Upon reboot, the drive did not get configured, because its new WWID did not match the WWID that OpenVMS expected. Therefore, the user redefines the devnam-WWID correlation and is then able to configure \$2\$MGA3 correctly. The specified WWID comes from the output of the SYSMAN IO LIST_WWID command.

SYSMAN IO SCSI_PATH_VERIFY (Alpha Only)

IO SCSI_PATH_VERIFY (Alpha Only)

On Alpha systems, the SYSMAN IO SCSI_PATH_VERIFY subcommand checks each SCSI and FC path in the system to determine whether the attached device has been changed. If a device change is detected, then the SCSI or FC path is disconnected in the IO database. This allows the path to be reconfigured on the new device, by using the SYSMAN IO AUTOCONFIGURE command.

You must have CMKRNL privilege to use the SYSMAN IO SCSI_PATH_VERIFY command.

Format

IO SCSI_PATH_VERIFY

Parameters

None.

Qualifiers

None.

Description

You usually enter the SYSMAN IO SCSI_PATH_VERIFY command after performing an online reconfiguration of a SCSI or an FC interconnect. The command reads the device type and device identifier on each SCSI and FC path in the system. If the device does not match the data stored in the IO database, then the path is disconnected in the IO database. Following a SYSMAN IO SCSI_PATH_VERIFY command, you usually enter a SYSMAN IO AUTOCONFIGURE command, which updates the IO database to match the new SCSI or FC configuration.

Example

```
SYSMAN> IO SCSI_PATH_VERIFY  
SYSMAN> IO AUTOCONFIGURE
```

The first command in this example checks all SCSI paths and disconnects the ones that are no longer valid. The second command autoconfigures all devices that are physically attached to the system.

IO SET EXCLUDE (Alpha Only)

On Alpha systems, sets the permanent exclusion list to be used when configuring devices automatically.

Format

IO SET EXCLUDE = device_name

Parameter

device_name

Specifies the device type to be excluded from automatic configuration. Use valid device names or mnemonics that indicate the devices to be included in the permanent exclusion list. You can specify wildcards.

Qualifiers

None.

Description

Sets the permanent exclusion list to be used when configuring devices.

You can use this command to permanently specify device autoconfiguration to exclude Fibre Channel port driver devices (FG) and any SCSI port driver devices (PK) at each system boot. (To specify permanently the exclusion or inclusion of devices for the duration of a manual configuration command, use the /EXCLUDE or /SELECT qualifier with the SYSMAN IO AUTOCONFIGURE command.)

You cannot use the SYSMAN IO SET EXCLUDE command to exclude any of the following device types:

- SCSI class-driver devices (DK, MK, GK) whose names include a port allocation class or an HSZ allocation class
- Fibre Channel class-driver devices (PG, DG, GG)

This restriction also applies to SCSI devices on OpenVMS Alpha Version 7.1 systems, if the SCSI device names include a port allocation class.

Example

```
SYSMAN> IO SET EXCLUDE=(DKC500,DKD*)
```

This example specifies that DKC500 and all DKD devices are not to be autoconfigured.

Refer to the /SELECT qualifier for additional examples that show how to specify device names.

SYSMAN IO SET PREFIX (Alpha Only)

IO SET PREFIX (Alpha Only)

On Alpha systems, sets the prefix list that is used to manufacture the IOGEN Configuration Building Module (ICBM) names.

Format

```
IO SET PREFIX =icbm_prefix
```

Parameter

icbm_prefix

Specifies ICBM prefixes. These prefixes are used by the SYSMAN IO AUTOCONFIGURE command to build ICBM image names.

Qualifiers

None.

Description

The SYSMAN IO SET PREFIX command sets the prefix list which is used to manufacture ICBM names.

Example

```
SYSMAN> IO SET PREFIX=(SYS$,PSI$,VME_)
```

This example specifies the prefix names used by SYSMAN IO AUTOCONFIGURE to build the ICBM names. The prefixes are SYS\$, PSI\$, and VME_.

IO SHOW BUS (Alpha Only)

On Alpha systems, lists all the buses, node numbers, bus names, TR numbers, and base CSR addresses on the system. This display exists primarily for internal engineering support.

On VAX systems, use the SYSGEN command SHOW/BUS.

Parameters

None.

Qualifiers

None.

Description

The SYSMAN IO SHOW BUS command lists all the buses, node numbers, bus names, TR numbers, and base CSR addresses. This display exists primarily for internal engineering support. You must have CMKRNL privilege to use SYSMAN IO SHOW BUS.

Example

```
SYSMAN> IO SHOW BUS
```

Bus	Node	TR#	Name	Base CSR
LSB	0	1	EV3 4MB	FFFFFFFF86FA0000
LSB	6	1	MEM	FFFFFFFF86FC4000
LSB	7	1	MEM	FFFFFFFF86FCA000
LSB	8	1	IOP	FFFFFFFF86FD0000
XZA XMI-SCSI	0	3	XZA-SCSI	0000008001880000
XZA XMI-SCSI	1	3	XZA-SCSI	0000008001880000
XZA XMI-SCSI	0	4	XZA-SCSI	0000008001900000
XZA XMI-SCSI	1	4	XZA-SCSI	0000008001900000
XMI	4	2	LAMB	0000008001A00000
DEMNA	0	5	Generic XMI	0000008001E80000
DEMNA	0	6	Generic XMI	0000008001F00000

This example is from a DEC 7000 Model 600. Displays vary among different Alpha systems.

The indentation levels are deliberate in this display. They indicate the hierarchy of the adapter control blocks in the system. The column titles in the display have the following meanings:

SYSMAN IO SHOW BUS (Alpha Only)

Column Titles	Meaning
Bus	Identity of the bus
Node	Index into the associated bus array; the bus slot
TR#	Nexus number of the adapter to which the specified device is connected
Name	Name of the device
Base CSR	Base CSR address of the device

On Alpha systems, you can use the SDA command CLUE CONFIG to display additional information including hardware adapters and devices. This command is documented in the *OpenVMS Alpha System Dump Analyzer Utility Manual*.

For more information about loading and configuring device drivers, refer to *Writing OpenVMS Alpha Device Drivers in C*.

IO SHOW DEVICE (Alpha Only)

On Alpha systems, displays information about device drivers loaded into the system, the devices connected to them, and their I/O databases. All addresses are in hexadecimal and are virtual. On VAX systems, use the SYSGEN command SHOW/DEVICE.

Format

IO SHOW DEVICE

Parameters

None.

Qualifiers

None.

Description

The SYSMAN IO SHOW DEVICE command displays information about the device drivers loaded into the system, the devices connected to them, and their I/O databases.

The SYSMAN IO SHOW DEVICE command specifies that the following information be displayed about the specified device driver:

Driver	Name of the driver
Dev	Name of each device connected to the driver
DDB	Address of the device's device data block
CRB	Address of the device's channel request block
IDB	Address of the device's interrupt dispatch block
Unit	Number of each unit on the device
UCB	Address of each unit's unit control block

All addresses are in hexadecimal and are virtual.

Refer to *A Comparison of System Management on OpenVMS AXP and OpenVMS VAX* (archived but available on the OpenVMS Documentation CD-ROM), and the *HP OpenVMS System Manager's Manual* for additional information about SYSMAN.

Example

```
SYSMAN> IO SHOW DEVICE
```

The following example is a sample display produced by the SYSMAN IO SHOW DEVICE command:

SYSMAN IO SHOW DEVICE (Alpha Only)

<u>Driver</u>	<u>Dev_DDB</u>	<u>CRB</u>	<u>IDB</u>	<u>Unit_UCB</u>
SY\$FTDRIVER	FTA 802CE930	802D1250	802D04C0	
				0 801C3710
SY\$EUDRIVER	EUA 802D0D80	802D1330	802D0D10	
				0 801E35A0
SY\$DKDRIVER	DKI 802D0FB0	802D0F40	802D0E60	
				0 801E2520
SY\$PKADRIVER	PKI 802D1100	802D13A0	802D1090	
				0 801E1210
SY\$TTDRIVER				
OPERATOR				
NLDRIVER				

SY\$TTDRIVER, OPERATOR, and NLDRIVER do not have devices associated with them.

IO SHOW EXCLUDE (Alpha Only)

On Alpha systems, displays the permanent exclusion list used in the autoconfiguration of devices.

Format

IO SHOW EXCLUDE

Parameters

None.

Qualifiers

None.

Description

The SYSMAN IO SHOW EXCLUDE command displays the permanent exclusion list on the console. This list is used in the autoconfiguration of devices.

Example

```
SYSMAN> IO SHOW EXCLUDE  
%SYSMAN-I-IOEXCLUDE, the current permanent exclusion list is: DKC500,DKD*
```

This example shows the permanent exclusion list used in the autoconfiguration of devices; the current list contains DKC500 and all DKD devices.

SYSMAN IO SHOW PREFIX (Alpha Only)

IO SHOW PREFIX (Alpha Only)

On Alpha systems, displays the current prefix list used in the manufacture of IOGEN Configuration Building Module (ICBM) names.

Format

IO SHOW PREFIX

Parameters

None.

Qualifiers

None.

Description

The SYSMAN IO SHOW PREFIX command displays the current prefix list on the console. This list is used by the SYSMAN IO AUTOCONFIGURE command to build ICBM names.

Example

```
SYSMAN> IO SHOW PREFIX  
%SYSMAN-I-IOPREFIX, the current prefix list is: SYS$,PSI$,VME_
```

This example shows the prefixes used by SYSMAN IO AUTOCONFIGURE to build ICBM names.

LICENSE LOAD

Activates licenses registered in the LICENSE database.

Requires CMKRNL, SYSNAM, and SYSPRV privileges.

Note

Except for the number of status messages returned, the following commands are functionally equivalent:

```
SYSMAN> LICENSE LOAD
$ LICENSE LOAD
```

To see all the status messages on remote nodes for the DCL command, you can use the following SYSMAN command:

```
SYSMAN> DO LICENSE LOAD
```

Format

LICENSE LOAD product

Parameter

product

Specifies the name of the product whose license you want to activate.

Qualifiers

/DATABASE=filespec

Specifies the location of the LICENSE database. The default file specification is SYS\$COMMON:[SYSEXE]LMF\$LICENSE.LDB. Using the /DATABASE qualifier is not necessary if you use the default LICENSE database name and location.

/PRODUCER=string

Specifies the name of the company that owns the product for which you have a license. Use this qualifier only if the product is from a company other than HP.

Description

You can use the LICENSE LOAD command to activate licenses on multiple systems and on nonlocal systems in the system management environment. The SYSMAN LICENSE commands are a subset of the License Management Facility (LMF) commands. For more information about the LMF, refer to the *OpenVMS License Management Utility Manual*.

Example

```
SYSMAN> LICENSE LOAD FORTRAN
```

This example activates the license for HP Fortran for OpenVMS. Because the license is for a HP product, the command does not include the /PRODUCER qualifier.

SYSMAN LICENSE UNLOAD

LICENSE UNLOAD

Deactivates licenses registered in the LICENSE database.
Requires CMKRNL, SYSNAM, and SYSPRV privileges.

Format

LICENSE UNLOAD [product]

Parameter

product

Specifies the name of the product whose license you want to deactivate. If you enter the LICENSE UNLOAD command without specifying a product name, the system deactivates all available registered licenses.

Qualifier

/PRODUCER=string

Specifies the name of the company that owns the product for which you have a license. Use this qualifier only if the product is from a company other than HP.

Description

You can use the LICENSE UNLOAD command to deactivate licenses on multiple systems and on nonlocal systems in the system management environment. The SYSMAN LICENSE commands are a subset of the License Management Facility (LMF) commands. For more information about the LMF, refer to the *OpenVMS License Management Utility Manual*.

Example

```
SYSMAN> LICENSE UNLOAD FORTRAN
```

This command deactivates the license for HP Fortran for OpenVMS. Because the license is for a HP product, the command does not include the /PRODUCER qualifier.

PARAMETERS DISABLE CHECKS

Bypasses validation of parameter values. SYSMAN parameter validation ensures that the parameters fall within the defined minimum and maximum values specified in the PARAMETERS SET command.

Format

PARAMETERS DISABLE CHECKS

Parameters

None.

Qualifiers

None.

Description

The PARAMETERS DISABLE CHECKS command enables you to override minimum and maximum values established for system parameters. SYSMAN does parameter checks by default. If you attempt to set parameter values outside the allowable limits when checks are enabled, the operating system issues an error message. By disabling checks you can set parameter values regardless of the minimum and maximum limits.

Note

Range checks are enabled by default because HP suggests that systems operate within these minimum and maximum values. Setting parameters outside these limits can result in system failures or hangs.

Example

```
SYSMAN> SET ENVIRONMENT/CLUSTER
SYSMAN> SET PROFILE/DEFAULT=SYS$SYSTEM/PRIVILEGES=CMEXEC
SYSMAN> PARAMETERS SET MAXPROCESSCNT 10
%SMI-E-OUTRANGE, parameter is out of range
SYSMAN> PARAMETERS DISABLE CHECKS
SYSMAN> PARAMETERS SET MAXPROCESSCNT 10
```

In this example, the initial attempt to set MAXPROCESSCNT below the minimum fails because range checks are enabled. However, once range checks are disabled, the PARAMETERS SET MAXPROCESSCNT command succeeds.

SYSMAN PARAMETERS ENABLE CHECKS

PARAMETERS ENABLE CHECKS

Validates all parameter values to ensure that they fall within the defined minimum and maximum values.

Because range checks are enabled by default, use **PARAMETERS ENABLE CHECKS** after entering a **PARAMETERS DISABLE CHECKS** command.

Format

PARAMETERS ENABLE CHECKS

Parameters

None.

Qualifiers

None.

Example

```
SYSMAN> PARAMETERS DISABLE CHECKS
SYSMAN> PARAMETERS SET WSMAX 20
SYSMAN> PARAMETERS ENABLE CHECKS
SYSMAN> PARAMETERS SET WSMAX 30
%SMI-E-OUTRANGE, parameter is out of range
SYSMAN> PARAMETERS SHOW WSMAX
Parameter Name   Current  Default  Minimum  Maximum Unit  Dynamic
WSMAX            2000    1024     60      6400 pages
```

The **PARAMETERS ENABLE CHECKS** command in this example shows that when range checking is disabled, the system accepts a working set value (WSMAX) of 20. However, once range checking is enabled with the **PARAMETERS ENABLE CHECKS** command, the system does not accept a WSMAX below the minimum, which is 60.

PARAMETERS SET

Changes the value of a specific parameter in the work area.

The **PARAMETERS SET** command does not modify parameter files, the current system parameter file on disk, or the active system. For information about performing these modifications, see the **PARAMETERS WRITE** command.

Format

```
PARAMETERS SET parameter-name [value]
                /STARTUP filespec
```

Parameters

parameter-name

Specifies the name of the parameter to modify. Instead of a name, you can enter a period (.) to change the value of the most recently displayed or the most recently modified parameter. See the **PARAMETERS SHOW** command for an example of using the period in place of a parameter name.

For a list of system parameters and further information about them, use the command **HELP PARAMETERS**.

value

Specifies the new value for the parameter. Enclose values for ASCII parameters in quotation marks if they contain embedded spaces or other special characters.

Typically the value is an integer or the keyword **DEFAULT**. The keyword **DEFAULT** sets the parameter to its default value. The **PARAMETERS SHOW** command displays the defined minimum, maximum, and default values for the parameter, which are required unless range checking is disabled with the command **PARAMETERS DISABLE CHECKS**.

Qualifier

/STARTUP filespec

Sets the name of the site-independent startup procedure to the given file specification. A file specification has a maximum length of 31 characters. The initial startup command procedure is **SYS\$SYSTEM:STARTUP.COM**.

Examples

1. **SYSMAN> PARAMETERS SET PFCDEFAULT 20**

This command assigns a value of 20 to the **PFCDEFAULT** parameter.

2. **SYSMAN> PARAMETERS SET GBLSECTIONS DEFAULT**

This command assigns the default value (40) to the **GBLSECTIONS** parameter.

3. **SYSMAN> PARAMETERS SET/STARTUP SYS\$SYSTEM:XSTARTUP.COM**

This command assigns **SYS\$SYSTEM:XSTARTUP.COM** as the current site-independent startup command procedure.

SYSMAN PARAMETERS SHOW

PARAMETERS SHOW

Displays the value of a parameter or a group of parameters in the work area. In addition, the command shows the minimum, maximum, and default values of a parameter and its unit of measure.

Format

PARAMETERS SHOW [parameter-name]

Parameter

parameter-name

Specifies the name of a parameter or a period (.). A period is interpreted as a request for the parameter specified in the last PARAMETERS SET or PARAMETERS SHOW command. The parameter name can be abbreviated, but the abbreviation must be unique because SYSMAN selects the first parameter that matches.

Qualifiers

/ACP

Displays all Files-11 ACP parameters.

/ALL

Displays the values of all active parameters.

/CLUSTER

Displays all parameters specific to clusters.

/DYNAMIC

Displays all parameters that would be in effect immediately after you enter a PARAMETERS WRITE ACTIVE command.

/GEN

Displays all general parameters.

/HEX

Displays numeric parameters in hexadecimal rather than decimal radix. Specify the /HEX system parameter name or the parameter type. If you specify the /HEX qualifier with the /NAMES qualifier, /HEX is ignored.

/JOB

Displays all job controller parameters.

/LGI

Displays all LOGIN security control parameters.

/MAJOR

Displays the most important parameters.

/MULTIPROCESSING

Displays parameters specific to multiprocessing.

/NAMES

Displays only parameter names. You can combine other qualifiers with this one.

/OUTPUT

Directs output to the specified file rather than SYS\$OUTPUT. Without a file specification, the output goes to SYSMAN.LIS in the current directory.

/PAUSE

Controls the rate at which the system displays information about parameters.

/PQL

Displays the parameters for all default process quotas.

/RMS

Displays all parameters specific to OpenVMS Record Management Services (RMS).

/SCS

Displays all parameters specific to OpenVMS Cluster System Communications Services.

/SPECIAL

Displays all special control parameters.

/STARTUP

Displays the name of the site-independent startup procedure.

/SYS

Displays all active system parameters.

/TTY

Displays all parameters for terminal drivers.

Description

SYSMAN displays parameters in decimal unless you specify the /HEX qualifier. ASCII values are always displayed in ASCII.

Abbreviations for parameter names must be unique because SYSMAN displays the first parameter matching the abbreviation. Ambiguity checks do not occur. For example, a specification of PARAMETERS SHOW GBL displays the GBLSECTIONS parameter. To display the GBLPAGFIL parameter, you must specify PARAMETERS SHOW GBLPAGF to avoid displaying the GBLPAGES parameter.

You can use a period (.) to indicate that you want to work with the system parameter that you specified in the last PARAMETERS SET or PARAMETERS SHOW command.

Examples

```
1. SYSMAN> PARAMETERS SHOW GBLSECTIONS
Parameter Name  Current  Default  Minimum  Maximum Unit  Dynamic
GBLSECTIONS    100     40       20       -1 Sections

SYSMAN> PARAMETERS SET . 110
SYSMAN> PARAMETERS SHOW .
Parameter Name  Current  Default  Minimum  Maximum Unit  Dynamic
GBLSECTIONS    110     40       20       -1 Sections
```

In this example, the user first displays the values of the GBLSECTIONS parameter and then refers to the parameter with a period to set its current

SYSMAN PARAMETERS SHOW

value to 110. The next PARAMETERS SHOW command also uses the period notation to obtain confirmation that the change occurred.

2. SYSMAN> PARAMETERS SHOW/ACP

This command produces output similar to the following example:

```
Parameters in use: Active
Parameter Name      Current  Default  Minimum  Maximum Unit  Dynamic
ACP_MULTIPLE        0        1        0         1 Boolean  D
ACP_SHARE            1        1        0         1 Boolean
ACP_MAPCACHE        52        8        1        -1 Pages   D
ACP_HDRCACHE        138       128      2        -1 Pages   D
ACP_DIRCACHE        138       80       2        -1 Pages   D
ACP_DINDXCACHE      37        25       2        -1 Pages   D
ACP_WORKSET         0         0        0        -1 Pages   D
ACP_FIDCACHE        64        64       0        -1 File-Ids D
ACP_EXTCACHE        64        64       0        -1 Extents  D
ACP_EXTLIMIT        300       300      0        1000 Percent/10 D
ACP_QUOCACHE        130       64       0        -1 Users    D
ACP_SYSACC          4         8        0        -1 Directories D
ACP_MAXREAD         32        32       1        64 Blocks   D
ACP_WINDOW          7         7        1        -1 Pointers  D
ACP_WRITEBACK       1         1        0         1 Boolean   D
ACP_DATACHECK       2         2        0         3 Bit-mask  D
ACP_BASEPRIO        8         8        4        31 Priority  D
ACP_SWAPFLGS       14        15       0        15 Bit-mask  D
ACP_XQP_RES         1         1        0         1 Boolean   D
ACP_REBLDSYS        0         1        0         1 Boolean
```

3. SYSMAN> PARAMETERS SHOW/ACP/HEX

This command produces a hexadecimal display of the values of the ACP system parameters.

```
Parameters in use: Active
Parameter Name      Current  Default  Minimum  Maximum Unit  Dynamic
ACP_MULTIPLE        00000000 00000001 00000000 00000001 Boolean  D
ACP_SHARE            00000001 00000001 00000000 00000001 Boolean
ACP_MAPCACHE        00000034 00000008 00000001 FFFFFFFF Pages   D
ACP_HDRCACHE        0000008A 00000080 00000002 FFFFFFFF Pages   D
ACP_DIRCACHE        0000008A 00000050 00000002 FFFFFFFF Pages   D
ACP_DNDXCACHE       00000025 00000019 00000002 FFFFFFFF Pages   D
ACP_WORKSET         00000000 00000000 00000000 FFFFFFFF Pages   D
ACP_FIDCACHE        00000040 00000040 00000000 FFFFFFFF File-Ids D
ACP_EXTCACHE        00000040 00000040 00000000 FFFFFFFF Extents  D
ACP_EXTLIMIT        0000012C 0000012C 00000000 000003E8 Percent/10 D
ACP_QUOCACHE        00000082 00000040 00000000 FFFFFFFF Users    D
ACP_SYSACC          00000004 00000008 00000000 FFFFFFFF Directories D
ACP_MAXREAD         00000020 00000020 00000001 00000040 Blocks   D
ACP_WINDOW          00000007 00000007 00000001 FFFFFFFF Pointers  D
ACP_WRITEBACK       00000001 00000001 00000000 00000001 Boolean   D
ACP_DATACHECK       00000002 00000002 00000000 00000003 Bit-mask  D
ACP_BASEPRIO        00000008 00000008 00000004 0000001F Priority  D
ACP_SWAPFLGS       0000000E 0000000F 00000000 0000000F Bit-mask  D
ACP_XQP_RES         00000001 00000001 00000000 00000001 Boolean
ACP_REBLDSYS        00000000 00000001 00000000 00000001 Boolean
```

SYSMAN PARAMETERS SHOW

4. SYSMAN> PARAMETERS SHOW/STARTUP
Startup command file = SYS\$SYSTEM:STARTUP.COM

This command displays the name of the site-independent startup command procedure.

SYSMAN> PARAMETERS SHOW/PAUSE MAXPROCESSCNT

Node EXPERT: Parameters in use: ACTIVE

Parameter Name	Current	Default	Minimum	Maximum	Unit	Dynamic
MAXPROCESSCNT	160	32	12	8192	Processes	

Press return to continue

Node MODERN: Parameters in use: ACTIVE

Parameter Name	Current	Default	Minimum	Maximum	Unit	Dynamic
MAXPROCESSCNT	157	32	12	8192	Processes	

Press return to continue

Node IMPOSE: Parameters in use: ACTIVE

Parameter Name	Current	Default	Minimum	Maximum	Unit	Dynamic
MAXPROCESSCNT	50	32	12	8192	Processes	

Press return to continue

.
.
.

The command in this example allows you to control the rate at which the information is displayed.

SYSMAN PARAMETERS USE

PARAMETERS USE

Reads a set of system parameters into the work area for display or modification.

Format

```
PARAMETERS USE source
```

Parameter

source

The source of a system parameter file for data to be read into the work area. The source can be any of the following items:

ACTIVE	Read parameters from memory. When you invoke SYSMAN, active values are in effect.
CURRENT	Read parameters from the default system parameter file, which is the source for parameters when you boot the system. Using the current parameters requires read (R) access to the system parameters file. <ul style="list-style-type: none">• On Alpha systems, the file that contains current parameters is SYS\$SYSTEM:ALPHAVMSSYS.PAR.• On VAX systems, the file that contains current parameters is SYS\$SYSTEM:VAXVMSSYS.PAR.
filespec	Read parameters from a previously created system parameter file. The default file type is .PAR. You need read access to the file.
DEFAULT	Read a parameter set containing the default values for all parameters. These values are supplied with the operating system.

Qualifiers

None.

Description

Depending on the source you enter with the command, PARAMETERS USE activates the parameter values:

- Stored in memory (ACTIVE)
- Stored in the default boot parameter file (CURRENT)
- From another file (filespec)
- From the system default values (DEFAULT)

Example

```
SYSMAN> PARAMETERS USE DEFAULT  
SYSMAN> SET STARTUP_P1 "MIN"
```

The first command activates the default parameter values that are supplied with the operating system. The second command sets the STARTUP_P1 system parameter to "minimum." This avoids starting all layered products on a system that is not tuned for them, which might cause the system to hang.

PARAMETERS WRITE

Writes the contents of the work area to memory, to disk, or to a file, depending on the destination that you specify.

Format

PARAMETERS WRITE destination

Parameter

destination

The destination of a new parameter file can be any of the following ones:

- | | |
|----------|---|
| ACTIVE | Write parameters to memory. Using the ACTIVE parameter requires CMKRNL privilege. |
| CURRENT | Write parameters to the system parameters file, which contains the current parameters on disk. Using the current parameter requires write (W) access to the system parameters file. <ul style="list-style-type: none">• On Alpha systems, the file that contains current parameters is SYS\$SYSTEM:ALPHAVMSSYS.PAR.• On VAX systems, the file that contains current parameters is SYS\$SYSTEM:VAXVMSSYS.PAR. |
| filespec | Write parameters to a file. The default file type is .PAR and you need write access to the file. |

Qualifiers

None.

Description

The PARAMETERS WRITE command writes the system parameter values and the name of the site-independent startup command procedure from the work area to the active system in memory, the current system parameter file on disk, or your choice of a parameter file. You can write only dynamic parameter values to the active system.

Both the PARAMETERS WRITE ACTIVE and PARAMETERS WRITE CURRENT commands send a message to OPCOM to record the event.

Examples

1. SYSMAN> PARAMETERS WRITE SYS\$SYSTEM:SPECIAL
This command creates a new parameter specification file.
2. SYSMAN> PARAMETERS WRITE CURRENT
This command modifies the current system parameter file on disk (SYS\$SYSTEM:ALPHAVMSSYS.PAR).

SYSMAN RESERVED_MEMORY ADD (Alpha Only)

RESERVED_MEMORY ADD (Alpha Only)

On Alpha systems, adds an entry to the Reserved Memory Registry data file. Changes and additions to the Reserved Memory Registry data file do not take effect until the next reboot of the system.

Use the RESERVED_MEMORY ADD command to reserve an amount of physical memory that might be needed at a future time. Use the /ALLOCATE qualifier to set aside one or more blocks of physical memory during the boot process. Using the /ALLOCATE qualifier allows memory to be sufficiently contiguous and aligned to be used with granularity hints.

AUTOGEN processes the Reserved Memory Registry data file in its GETDATA phase. AUTOGEN takes the size of all entries into account when calculating system parameters that depend on the available amount of physical memory.

AUTOGEN uses the reservation size of all entries to calculate the initial size of the global page table unless the entry was specified as /NOGLOBAL_SECTION.

For more information about the Reserved Memory Registry, refer to the *HP OpenVMS System Manager's Manual* and the *OpenVMS Programming Concepts Manual*.

Format

```
RESERVED_MEMORY ADD name
```

Parameter

name

Name of the memory reservation. You must specify a name.

If the reservation is for a memory resident global section, the name of the reservation must be the same as the global section name.

Qualifiers

/ALLOCATE

/NOALLOCATE (default)

Allocates pages during the next reboot of the system. The physical alignment of the pages is based on the maximum granularity hint factor that can be used to map the pages without exceeding the size of the memory reservation. (See the introduction to this section for more information about the /ALLOCATE qualifier.)

Possible granularity hint factors are 512 pages (or 4 MB) and 64 pages (or 512 KB). Therefore, assuming an 8 KB system page size, reserved memory is physically aligned as follows:

- size \geq 4 MB: physically aligned on a 4 MB boundary
- size $<$ 4 MB: physically aligned on a 512 KB boundary

If you specify /NOALLOCATE, or do not specify /ALLOCATE, memory is reserved only by reducing the system's fluid page count, but no specific pages are set aside.

/GLOBAL_SECTION (default)

/NOGLOBAL_SECTION

/NOGLOBAL_SECTION indicates that the memory qualifier is for a privileged application instead of a group or system global section. (/GLOBAL_SECTION

SYSMAN RESERVED_MEMORY ADD (Alpha Only)

indicates that the memory qualifier is for a group or system global section.) You cannot use /NOGLOBAL_SECTION with the qualifiers /GROUP, /SYSGBL, or /PAGE_TABLES.

/GROUP=*n*

Establishes that the reserved memory is for a group global section. The value *n* specifies the UIC group number (in octal) of the process that creates the group global section. Only processes within the creator's UIC group number are allowed access to the global section. For example, if a process with the UIC of [6,100] is the creator of the group global section, the group number for the /GROUP qualifier is 6.

You cannot use the /GROUP qualifier with either /SYSGBL or /NOGLOBAL_SECTION qualifiers.

/PAGE_TABLES (default)

/NOPAGE_TABLES

Reserves additional memory for shared page tables. When the memory-resident global section is created, shared page tables are created for the global section. If you do not specify /ALLOCATE (or if you specify /NOALLOCATE), the additional reserved memory is deducted only from the system's fluid page count. If you specify /ALLOCATE, additional pages are allocated for the shared page table during the next reboot of the system, and the additional reserved memory is deducted from the system's fluid page count.

If you do not specify /PAGE_TABLES, or if you specify /NOPAGE_TABLES, additional memory is not reserved for shared page tables. When the memory-resident global section is created, shared page tables are not created for the global section.

/RAD=*n*

Specifies the preferred resource affinity domain (RAD) for the reservation you want to make. The value of *n* is the number of the RAD you specify. If you omit this qualifier, or if this RAD does not have sufficient memory, any other RAD can satisfy the reservation request, and the first available memory section will be used.

The /ALLOCATE qualifier is enforced implicitly when you specify a RAD.

Refer to Section 7.4 for an example procedure that shows how to use SYSMAN RAD qualifiers and options.

/SIZE=*size of reserved memory, in MBs*

Specifies the number of megabytes to be deducted from the system's fluid page count for this memory-resident global section when the VMS\$RESERVED_MEMORY.DATA data file is read during system initialization.

/SYSGBL

Indicates that a reservation is for a system global memory-resident section.

You cannot combine this qualifier with the /GROUP or /NOGLOBAL_SECTION qualifier. This qualifier is the default unless you specify /GROUP or /NOGLOBAL_SECTION.

/ZERO

/NOZERO (default)

/ZERO implies /ALLOCATE. If you specify /ZERO, preallocated pages are zeroed during system initialization. Zeroed pages are required for memory-resident

SYSMAN RESERVED_MEMORY ADD (Alpha Only)

global sections; however, the pages do not need to be zeroed during system initialization.

`/NOALLOCATE` implies `/NOZERO` because `/ZERO` is incompatible with `/NOALLOCATE`. If you do not specify `/ZERO`, or if you specify `/NOZERO`, preallocated pages are not zeroed during system initialization. Instead, these pages are zeroed when the global section is created.

Description

The OpenVMS operating system allows you to reserve non-fluid memory for use within a memory-resident global demand-zero section. The reserved memory can be simply a deduction from the system's fluid memory size, or it can be preallocated as physical pages.

Using the Reserved Memory Registry ensures that AUTOGEN tunes the system properly not to include memory-resident section pages in its calculation of the system's fluid page count. AUTOGEN sizes the system page file, the number of process, and the working set maximum size based on the system's fluid page count. A system can experience severe performance problems if AUTOGEN adjusts parameters based on a fluid page count that does not account for the physical memory that is permanently reserved for some other purpose.

Using the Reserved Memory Registry also ensures that memory is available for memory-resident sections when the `allocate` option is used.

Users of reserved, non-fluid memory enter the characteristics of the memory into a data file that is read during the system initialization (boot-time). The file is called `SYS$SYSTEM:VMS$RESERVED_MEMORY.DATA`, and you use the `SYSMAN` utility to maintain it.

Note

Do not edit the `SYS$SYSTEM:VMS$RESERVED_MEMORY.DATA` data file.

`VMS$RESERVED_MEMORY.DATA` is read during system initialization. For each entry in this data file, the number of megabytes is deducted from the system's fluid page count for this memory-resident global section as specified by the `/SIZE` qualifier on the `RESERVED_MEMORY ADD` command. If `/PAGE_TABLES` was specified, the amount of memory required for the shared page tables mapping the memory-resident global section is deducted from the system's fluid page count as well.

The following table summarizes the effects of qualifiers on the `RESERVED_MEMORY ADD` command:

SYSMAN RESERVED_MEMORY ADD (Alpha Only)

Qualifier	Effect
/ALLOCATE	A block of physical pages is also allocated and set aside for the memory-resident global section.
/PAGE_TABLES	An additional block of physical pages is allocated and set aside for the shared page tables. The pages have a physical alignment appropriate to use the largest granularity hint factor for the block.
/ZERO	The pages are zeroed during system initialization or when the system is idle.
/NOZERO	The pages are zeroed when the memory-resident global section is created.

If you set the system parameter `STARTUP_P1` to “MIN”, entries in the Reserved Memory Registry are ignored, and memory is not reserved.

During system initialization while processing the Reserved Memory Registry data file, if the system encounters errors reserving fluid pages or allocating physical pages, it issues a warning to the console, and the system continues to boot; the request, however, is not granted.

Example

```
SYSMAN> RESERVED_MEMORY ADD DFW$GS_1 /NOPAGE /GROUP=100 /SIZE=1
SYSMAN> RESERVED_MEMORY ADD DFW$GS_2 /PAGE /SIZE=2 /ALLOC /ZERO
SYSMAN> RESERVED_MEMORY ADD DFW$GS_3 /PAGE /SIZE=3
```

The commands in this example add entries to the Reserved Memory Registry data file. (The example for the `RESERVED_MEMORY SHOW` command displays the values for these entries.)

SYSMAN RESERVED_MEMORY EXTEND (Alpha Only)

RESERVED_MEMORY EXTEND (Alpha Only)

On Alpha systems, adds sections of memory if you want to specify more than one resource affinity domain (RAD) for a single reservation.

EXTEND does not allow you to specify any of the /ALLOCATE, /ZERO, or /PAGE_TABLES flags. The existing reservation determines the state of these flags. The /ALLOCATE flag is set implicitly with EXTEND, whether or not it was set for the initial reservation.

To add a memory section without specifying a RAD, use the /NORAD qualifier.

Refer to Section 7.4 for an example procedure that shows how to use SYSMAN RAD qualifiers and options.

Format

```
RESERVED_MEMORY EXTEND name
```

Parameter

name

Name of the memory reservation. You must specify a name.

If the reservation is for a memory resident global section, the name of the reservation must be the same as the global section name.

Qualifiers

/RAD=n

/NORAD

Specifies an additional memory section if you want to specify more than one RAD for a single reservation.

Use /NORAD to add a memory section without specifying a RAD.

/SIZE=size of reserved memory, in MBs

Specifies the number of megabytes to be deducted from the system's fluid page count for this memory-resident global section when the VMS\$RESERVED_MEMORY.DATA data file is read during system initialization.

RESERVED_MEMORY FREE (Alpha Only)

On a running Alpha system, frees reserved memory. This command does not affect the contents of the Reserved Memory Registry data file; it affects only the running system.

Format

RESERVED_MEMORY FREE name

Parameter

name

Name of the memory reservation. You must specify a name.

Qualifiers

/GLOBAL_SECTION (default)

/NOGLOBAL_SECTION

/NOGLOBAL_SECTION indicates that the memory qualifier is for a privileged application instead of a group or system global section. (*/GLOBAL_SECTION* indicates that the memory qualifier is for a group or system global section.) You cannot use */NOGLOBAL_SECTION* with the qualifiers */GROUP*, */SYSGBL*, or */PAGE_TABLES*.

/GROUP=*n*

You must specify */GROUP* if the memory-resident global section is a group global section. Do not specify */GROUP* if the memory-resident global section is a system global section. The value *n* is the UIC group number (in octal) associated with the memory-resident being freed.

You cannot use the */GROUP* qualifier with either */SYSGBL* or */NOGLOBAL_SECTION* qualifiers.

/SYSGBL

Indicates that a reservation is for a system global, memory-resident section.

You cannot combine this qualifier with the */GROUP* or */NOGLOBAL_SECTION* qualifier. This qualifier is the default unless you specify */GROUP* or */NOGLOBAL_SECTION*.

Description

If physical pages were not preallocated during system initialization for this global section, the reserved memory is simply added to the system's fluid page count. Otherwise, the pages are deallocated to the system's free or zeroed page list.

If page tables are also reserved for the named memory-resident global section, the reserved memory for the shared page tables is also freed. If part of the named reservation is still used, the amount of reserved memory not currently in use is freed. The system displays an informational message that indicates if the named global section is using some portion of the reserved memory.

SYSMAN RESERVED_MEMORY FREE (Alpha Only)

Example

```
SYSMAN> RESERVED_MEMORY FREE DFW$GS_2
%SMI-S-RMRFREPAG, pages successfully freed from reservation
SYSMAN> RESERVED_MEMORY SHOW
%SYSMAN-I-OUTPUT, command execution on node PIPERI
Name                Pages  In Use Group  PTs  Allocated Zeroed
DFW$GS_3            384      0 SYSGBL   No   No       No
DFW$GS_1            128      0 00000100 No   No       No
DFW$GS_3              1      0 SYSGBL   Yes  No       No
```

In this example, the first command frees reserved memory in DFW\$GS_2. The second command displays reserved memory in the running system for DFW\$GS_3 and DFW\$GS_1, but not for DFW\$GS_2, which has no reserved memory.

RESERVED_MEMORY LIST (Alpha Only)

On Alpha systems, provides a preview of this reservation as it is currently stored in the Reserved Memory Registry data file. If no reservation is specified, all current reservations are displayed.

Use this qualifier to ensure that a reservation will be made as intended.

Refer to Section 7.4 for an example procedure that shows how to use SYSMAN resource affinity domain RAD qualifiers and options.

Format

RESERVED_MEMORY LIST name

Parameter

name

Name of the reservation you want to verify in the Reserved Memory Registry data file.

Qualifiers

/GLOBAL_SECTION (default)

/NOGLOBAL_SECTION

/NOGLOBAL_SECTION indicates that the memory qualifier is for a privileged application instead of a group or system global section. (**/GLOBAL_SECTION** indicates that the memory qualifier is for a group or system global section.) You cannot use **/NOGLOBAL_SECTION** with the qualifiers **/GROUP**, **/SYSGBL**, or **/PAGE_TABLES**.

/GROUP=*n*

You must specify **/GROUP** if the memory-resident global section is a group global section. Do not specify **/GROUP** if the memory-resident global section is a system global section. The value *n* is the UIC group number (in octal) associated with the memory-resident being freed.

You cannot use the **/GROUP** qualifier with either **/SYSGBL** or **/NOGLOBAL_SECTION** qualifiers.

/SYSGBL

Indicates that a reservation is for a system global, memory-resident section.

You cannot combine this qualifier with the **/GROUP** or **/NOGLOBAL_SECTION** qualifier. This qualifier is the default unless you specify **/GROUP** or **/NOGLOBAL_SECTION**.

SYSMAN RESERVED_MEMORY MODIFY (Alpha Only)

RESERVED_MEMORY MODIFY (Alpha Only)

On Alpha systems, allows you to modify an existing entry in the Reserved Memory Registry data file.

Refer to Section 7.4 for an example procedure that shows how to use SYSMAN RAD qualifiers and options.

Format

```
RESERVED_MEMORY MODIFY name
```

Parameter

name

Name associated with the entry being removed. You must specify a name.

Qualifiers

/ALLOCATE

/NOALLOCATE (default)

Allocates pages during the next reboot of the system as specified on the command line. (The default is taken from the existing Reserved Memory Registry entry.) The physical alignment of the pages is based on the maximum granularity hint factor that can be used to map the pages depending on the size of the reserved memory.

Possible granularity hint factors are 512 pages (or 4 MB) and 64 pages (or 512 KB). Therefore, assuming an 8-KB system page size, reserved memory is physically aligned as follows:

- size \geq 4 MB: physically aligned on a 4-MB boundary
- size $<$ 4 MB: physically aligned on a 512-KB boundary

If you specify **/NOALLOCATE**, or if you do not specify **/ALLOCATE**, memory is reserved only by reducing the system's fluid page count, but no specific pages are set aside.

/GLOBAL_SECTION (default)

/NOGLOBAL_SECTION

/NOGLOBAL_SECTION indicates that the memory qualifier is for a privileged application instead of a group or system global section. (**/GLOBAL_SECTION** indicates that the memory qualifier is for a group or system global section.) You cannot use **/NOGLOBAL_SECTION** with the qualifiers **/GROUP**, **/SYSGBL**, or **/PAGE_TABLES**.

/GROUP=*n*

Establishes that the reserved memory is for a group global section. The value *n* specifies the UIC group number (in octal) of the process that creates the group global section. Only processes within the creator's UIC group number are allowed access to the global section. For example, if a process with the UIC of [6,100] is the creator of the group global section, the group number for the **/GROUP** qualifier is 6.

You cannot use the **/GROUP** qualifier with either **/SYSGBL** or **/NOGLOBAL_SECTION** qualifiers.

SYSMAN RESERVED_MEMORY MODIFY (Alpha Only)

/NEW_RAD=nn /NONEW_RAD

Use `NEW_RAD` to change the RAD assignment for an entry. Do this by first specifying `/RAD=n` to identify the entry you want to change and then specify `/NEW_RAD=nn` to identify the new RAD. Use only `/NEW_RAD=nn` (without the `/RAD` qualifier) if the old entry did not have a RAD assigned.

/PAGE_TABLES (default) /NOPAGE_TABLES

Reserves additional memory for shared page tables system as specified on the command line. (The default is taken from the existing Memory Registry.)

When the memory-resident global section is created, shared page tables are created for the global section. If you do not specify `/ALLOCATE`, or if you specify `/NOALLOCATE`, the additional reserved memory is deducted from the system's fluid page count. If you specify `/ALLOCATE`, additional pages are allocated for the shared page table during the next reboot of the system, and the additional reserved memory is deducted from the system's fluid page count.

If you do not specify `/PAGE_TABLES`, or if you specify `/NOPAGE_TABLES`, additional memory is not reserved for shared page tables. When the memory-resident global section is created, shared page tables are not created for the global section.

You cannot specify `/PAGE_TABLES` if the reservation has the attribute `/NOGLOBAL_SECTION`.

/RAD=n /NORAD

`MODIFY/RAD=n` affects only the entry for the specified resource affinity domain (RAD). The value of *n* is the RAD you specify.

Usage Rules

- Do not use `MODIFY/RAD=n` to change the size of a reservation for an entry without a specified number or to change the state of the `/ZERO` or `/PAGE_TABLES` flags. (Flags are always consistent for all entries in a given reservation.)
- To change the RAD assignment for an entry, specify `/RAD=n` to identify the entry you want to change and `/NEW_RAD=nn` to identify the new RAD. Use only `/NEW_RAD=nn` (without the `/RAD` qualifier) if the old entry did not have a RAD assigned.
- Use `MODIFY name /NORAD` if you no longer want to tie memory for this reservation to any specific RADs. SYSMAN compresses multiple entries into a single entry for an unspecified RAD with the total memory size as the sum of all RAD entries for this reservation.

/SIZE=size of reserved memory, in MBs

Specifies the number of megabytes to be deducted from the system's fluid page count for this memory-resident global section when the `VMS$RESERVED_MEMORY.DATA` data file is read during system initialization. The default value for `/SIZE` is taken from the existing Reserved Memory Registry.

/SYSGBL

Indicates that a reservation is for a system global memory resident section.

SYSMAN RESERVED_MEMORY MODIFY (Alpha Only)

You cannot combine this qualifier with the /GROUP or /NOGLOBAL_SECTION qualifier. This qualifier is the default unless you specify /GROUP or /NOGLOBAL_SECTION.

/ZERO

/NOZERO (default)

/ZERO implies /ALLOCATE. If you specify /ZERO, preallocated pages are zeroed during system initialization. Zeroed pages are required for memory-resident global sections; however, the pages do not need to be zeroed during system initialization. The default value is taken from existing Reserved Memory Registry entry.

/NOALLOCATE implies /NOZERO because /ZERO is incompatible with /NOALLOCATE. If you do not specify /ZERO, or if you specify /NOZERO, preallocated pages are not zeroed during system initialization. Instead, these pages are zeroed when the global section is created.

Description

The Reserved Memory Registry entry to be modified is identified by the combination of the following items:

```
name
/[NO]GLOBAL_SECTION
/GROUP=n
/SYSGBL
```

The values of these qualifiers are the same as for the RESERVED_MEMORY ADD command.

Example

```
SYSMAN> RESERVED_MEMORY MODIFY
X234567890123456789012345678901/SIZ=2/ZERO
$ TYPE SYS$SYSTEM:VMS$RESERVED_MEMORY.DATA
! VMS$RESERVED_MEMORY.DATA
! Do NOT edit this file
! Modify with SYSMAN RESERVED_MEMORY commands
! A = /ALLOCATE, Z = /ZERO, P = /PAGE_TABLES, VERSION = 1
! SIZE (MB) RESERVATION NAME GROUP A Z P
1 X23456789012345678901234567890 1 0 0 1
2 X234567890123456789012345678901 SYSGBL 1 1 1
1 X2345678901234567890123456789012 NOGBL 0 0 0
SYSMAN> EXIT
$
```

The command in this example modifies an entry to reserve 2 MB of memory and to allocate and zero this memory at boot time.

RESERVED_MEMORY REMOVE (Alpha Only)

On Alpha systems, removes a reserved memory entry from the Reserved Memory Registry data file. This command takes effect on the next reboot and does not affect the running systems.

Format

```
RESERVED_MEMORY REMOVE name
```

Parameter

name

Name associated with the entry being removed. You must specify a name.

If page tables are reserved for the named memory-resident global section, the additional reserved memory is also removed.

Qualifiers

/GLOBAL_SECTION (default)

/NOGLOBAL_SECTION

/NOGLOBAL_SECTION indicates that the memory qualifier is for a privileged application instead of a group or system global section. (**/GLOBAL_SECTION** indicates that the memory qualifier is for a group or system global section.) You cannot use **/NOGLOBAL_SECTION** with the qualifiers **/GROUP**, **/SYSGBL**, or **/PAGE_TABLES**.

/GROUP=*n*

You must specify **/GROUP** if the memory-resident global section is a group global section. Do not specify **/GROUP** if the memory-resident global section is a system global section. The value *n* is the UIC group number (in octal) associated with the memory-resident section being removed. You cannot use the **/GROUP** qualifier with either **/SYSGBL** or **/NOGLOBAL_SECTION** parameters.

/SYSGBL

Indicates that a reservation is for a system global memory resident section.

You cannot combine this qualifier with the **/GROUP** or **/NOGLOBAL_SECTION** qualifier. This qualifier is the default unless you specify **/GROUP** or **/NOGLOBAL_SECTION**.

Example

```
SYSMAN> RESERVED_MEMORY ADD DFW$GS1/SIZE=1  
SYSMAN> RESERVED_MEMORY REMOVE DFW$GS1
```

The first command in this example adds DFW\$GS1; the second command removes it.

SYSMAN RESERVED_MEMORY SHOW (Alpha Only)

RESERVED_MEMORY SHOW (Alpha Only)

On Alpha systems, displays the memory reservations on the running system.

The display includes how much of the reserved memory is currently in use by the named global section. It also includes how much memory is reserved and currently in use for page tables, if any, and the blocks of physical pages reserved.

Format

```
RESERVED_MEMORY SHOW name
```

Parameter

name

Name associated with the entry being displayed within the running system.

If you do not specify a *name*, the system displays the reserved memory for all registered global sections.

Qualifiers

/GLOBAL_SECTION (default)

/NOGLOBAL_SECTION

/NOGLOBAL_SECTION indicates that the memory qualifier is for a privileged application instead of a group or system global section. (**/GLOBAL_SECTION** indicates that the memory qualifier is for a group or system global section.) You cannot use **/NOGLOBAL_SECTION** with the qualifiers **/GROUP**, **/SYSGBL**, or **/PAGE_TABLES**.

/GROUP=*n*

You must specify **/GROUP** if the memory-resident global section is a group global section. Do not specify **/GROUP** if the memory-resident global section is a system global section. The value *n* is the UIC group number (in octal) associated with the memory-resident section being displayed. You can use the **/GROUP** qualifier only if you specify *name*. You cannot use the **/GROUP** qualifier with either **/SYSGBL** or **/NOGLOBAL_SECTION** parameters.

/SYSGBL

Indicates that a reservation is for a system global memory resident section.

You cannot combine this qualifier with the **/GROUP** or **/NOGLOBAL_SECTION** qualifier. This qualifier is the default unless you specify **/GROUP** or **/NOGLOBAL_SECTION**.

Example

```
SYSMAN> RESERVED_MEMORY SHOW
%SYSMAN-I-OUTPUT, command execution on node PIPER
Name           Pages   In Use Group   PTs   Allocated Zeroed
DFW$GS_3       384     0 SYSGBL   No   No       No
DFW$GS_2       256     0 SYSGBL   No   Yes      Yes
DFW$GS_1       128     0 0000100 No   No       No
DFW$GS_3        1     0 SYSGBL   Yes  No       No
DFW$GS_2        1     0 SYSGBL   Yes  Yes      No
```

The command in this example displays the memory reservations on a running system.

SET ENVIRONMENT

Defines the nodes or cluster to which subsequent commands apply.

Requires OPER or SETPRV privilege on all nodes in the target environment.

Format

SET ENVIRONMENT

Parameters

None.

Qualifiers

/CLUSTER

Specifies that all subsequent commands apply to all nodes in the cluster. By default, the management environment is the local cluster. Specify a nonlocal cluster by naming one cluster member with the /NODE qualifier.

/NODE=(node1,node2,...)

Specifies that SYSMAN execute subsequent commands on the given DECnet nodes. If accompanied by the /CLUSTER qualifier, the environment becomes the cluster where the given DECnet node is a member. A node name can be a system name, cluster alias, or logical name. However, before you can use logical names to define the command environment, you must set up the logical name table SYSMAN\$NODE_TABLE. For more information about defining the SYSMAN logical name table, refer to the *HP OpenVMS System Manager's Manual*.

/USERNAME=username

Specifies that this user name should be used for access control purposes on another node. You can use this qualifier only in conjunction with the /CLUSTER or /NODE qualifiers. SYSMAN uses the current user name if none is supplied. SYSMAN prompts for a password whenever you specify a new user name.

Note

The account specified must have only a primary password. Accounts with secondary passwords are not supported.

Description

The SET ENVIRONMENT command defines the target nodes or cluster for subsequent commands. When invoked, the system management environment is the local node where you are running SYSMAN. You can change the environment to any other nodes in the cluster, the entire cluster, or any nodes or cluster available through DECnet.

Designate an OpenVMS Cluster environment with the /CLUSTER qualifier. When specifying a nonlocal cluster, also include the /NODE qualifier to identify the cluster.

If your environment consists of VAX and Alpha nodes, see the DO command for information about creating logicals to manage each platform as an environment.

SYSMAN SET ENVIRONMENT

You can display the current environment with the command `SHOW ENVIRONMENT`. To adjust privileges and defaults for the current environment, use the `SET PROFILE` command.

An environment exists until you exit from `SYSMAN` or establish another command context with the `SET ENVIRONMENT` command.

Examples

1.

```
SYSMAN> SET ENVIRONMENT/CLUSTER
%SYSMAN-I-ENV, Current command environment:
Clusterwide on local cluster
Username ALEXIS will be used on nonlocal nodes
```

This command defines the command environment as the local cluster. `SYSMAN` confirms the new environment.

2.

```
SYSMAN> SET ENVIRONMENT/NODE=NODE21/CLUSTER
Remote Password:
%SYSMAN-I-ENV, Current command environment:
Clusterwide on remote node NODE21
Username ALEXIS will be used on nonlocal nodes
```

This command establishes a management environment on the cluster where `NODE21` is a member. `SYSMAN` prompts for a password because it is a nonlocal environment.

3.

```
SYSMAN> SET ENVIRONMENT/NODE=(NODE21,NODE22,NODE23)
%SYSMAN-I-ENV, Current command environment:
Individual nodes: NODE21,NODE22,NODE23
Username ALEXIS will be used on nonlocal nodes
```

This command defines the management environment to be three individual nodes.

4.

```
$ CREATE/NAME TABLE/PARENT=LNMSYSTEM_DIRECTORY -
$ SYSMAN$NODE_TABLE
$ DEFINE LAVCS SYS1,SYS2,SYS3,SYS4/TABLE=SYSMAN$NODE_TABLE
$ RUN SYS$SYSTEM:SYSMAN
SYSMAN> SET ENVIRONMENT/NODE=(LAVCS)
%SYSMAN-I-ENV, Current command environment:
Individual nodes: SYS1,SYS2,SYS3,SYS4
Username ALEXIS will be used on nonlocal nodes
```

The commands in this example set up the logical name table `SYSMAN$NODE_TABLE`, define a logical name (`LAVCS`), and use the logical name to define the command environment.

SET PROFILE

Temporarily modifies a user's current privileges and default device and directory.

Format

SET PROFILE

Parameters

None.

Qualifiers

/DEFAULT=device:[directory]

Specifies the default disk device and directory name that the system should use in this environment to locate and catalog files.

/PRIVILEGES=(priv1,priv2...)

Specifies the privileges to add to the current privileges. Any enhanced privileges must be authorized.

/VERIFY

/NOVERIFY (default)

Specifies whether you want DCL verification (both procedure and image) for future DO commands.

Description

The SET PROFILE command modifies process attributes for the current management environment. After considering the privilege requirements of commands that you intend to use in an environment, you can add or delete current privileges, if they are authorized. You can also set a new default device and directory, as well as use the SET PROFILE/[NO]VERIFY command to control DCL command verification in SYSMAN. Other attributes of your process remain constant. The profile is in effect until you change it, reset the environment, or exit from SYSMAN. The *HP OpenVMS System Manager's Manual* discusses profile changes in more detail.

Examples

1. SYSMAN> SET PROFILE/DEFAULT=WORK1:[ALEXIS]

This command changes the default device and directory in the user account to directory ALEXIS on device WORK1.

2. SYSMAN> SET PROFILE/PRIVILEGES=(SYSPRV,CMKRNL)/VERIFY

This command makes the authorized privileges, SYSPRV and CMKRNL, part of the current privileges, and turns on DCL verification. The privileges remain in effect until the environment changes, you enter another SET PROFILE command, or you exit.

SYSMAN SET TIMEOUT

SET TIMEOUT

Establishes the amount of time SYSMAN waits for a node to respond. Once the time limit expires, SYSMAN proceeds to execute the command on the next node in the environment.

Format

```
SET TIMEOUT time
```

Parameter

time

Specifies a delta time value, which has the following format:

```
hh:mm:ss[.cc.]
```

This is the amount of time that SYSMAN waits for a node to respond. SYSMAN waits indefinitely—by default it has no timeout period. Refer to the *OpenVMS User's Manual* for a description of delta time values.

Qualifiers

None.

Example

```
SYSMAN> SET TIMEOUT 00:00:30
%SYSMAN-I-TIMEVAL, timeout value is 00:00:30
SYSMAN> CONFIGURATION SHOW TIME
System time on node NODE21: 19-JUN-2002 14:22:33
%SYSMAN-I-NODERR, error returned from node NODE22
%SMI-E-TIMEOUT, remote operation has timed out
System time on node NODE23: 19-JUN-2002 14:23:15
```

This command establishes a timeout period of 30 seconds. Because NODE22 did not respond within 30 seconds, SYSMAN displays an error message and proceeds to execute the command on the next node in the environment.

SHOW ENVIRONMENT

Displays the target nodes or cluster where SYSMAN is executing commands.

Format

SHOW ENVIRONMENT

Parameters

None.

Qualifiers

None.

Description

The SHOW ENVIRONMENT command displays the current management environment. It can be the local cluster, local or remote nodes, or a nonlocal cluster. SYSMAN indicates if the environment is limited to individual nodes or if it is clusterwide. It also shows the current user name.

The environment exists until you exit from SYSMAN or enter another SET ENVIRONMENT command.

Examples

1. SYSMAN> SHOW ENVIRONMENT
%SYSMAN-I-ENV, Current command environment:
Clusterwide on local cluster
Username ALEXIS will be used on nonlocal nodes

This command shows the current environment is the local cluster. User name ALEXIS will be used on other nodes in the cluster.

2. SYSMAN> SHOW ENVIRONMENT
%SYSMAN-I-ENV, Current command environment:
Clusterwide on remote cluster NODE21
Username ALEXIS will be used on nonlocal nodes

This command shows that the command environment is a nonlocal cluster where NODE21 is a member.

3. SYSMAN> SHOW ENVIRONMENT
%SYSMAN-I-ENV, Current command environment:
Individual nodes: NODE22,NODE23
At least one node is not in local cluster
Username ALEXIS will be used on nonlocal nodes

This command shows that the command environment consists of two nodes.

SYSMAN SHOW KEY

SHOW KEY

Displays key definitions created with the DEFINE/KEY command.

Format

SHOW KEY [key-name]

Parameter

key-name

Specifies the name of the key whose definition you want displayed. See the DEFINE/KEY command for a list of valid key names.

Qualifiers

/ALL

Displays all the key definitions in the specified state or states. Specifying a key name is not necessary.

/BRIEF

Displays only the key definition. By default, the system displays all the qualifiers associated with the key definition, including any specified state, unless you use the /BRIEF qualifier.

/DIRECTORY

Displays the names of all the states for which you have defined keys. If you have not defined keys, the SHOW KEY/DIRECTORY command displays the DEFAULT and GOLD states (which is the default SYSMAN keypad).

/STATE=(state, state...)

Specifies the name of a state for which the specified key definitions are to be displayed. If you select more than one state name, separate them with commas and enclose the list in parentheses.

Description

Specifies the name of the key whose definition you want displayed. See the DEFINE/KEY command for a list of valid key names.

Example

```
SYSMAN> SHOW KEY/ALL
DEFAULT keypad definitions:
  KP0 = "SHOW ENVIRONMENT" (echo)
  KP1 = "SHOW PROFILE" (echo)
SYSMAN>
```

This command displays all the key definitions currently in effect.

SHOW PROFILE

Displays the privileges and the default device and directory being used in the current environment.

Format

SHOW PROFILE

Parameters

None.

Qualifiers

/DEFAULT

Displays the default disk device and directory name that the system uses in this environment to locate and catalog files.

/PRIVILEGES

Displays only the privileges in effect for the current environment.

Description

The SHOW PROFILE command displays the privileges and the default device and directory that is being used in the current environment. You can modify these attributes with the SET PROFILE command.

These values remain in effect until you change environments or enter another SET PROFILE command.

Example

```
SYSMAN> SHOW PROFILE
%SYSMAN-I-DEFDIR, Default directory on node NODE21 -- WORK1:[BERGERON]
%SYSMAN-I-DEFPRIV, Process privileges on node NODE21 --
    TMPMGX
    OPER
    NETMBX
    SYSPRV
```

This command shows the default device and directory as well as current privileges.

SYSMAN SHOW TIMEOUT

SHOW TIMEOUT

Displays the amount of time SYSMAN waits for a node to respond. By default, there is no timeout period.

Format

SHOW TIMEOUT

Parameters

None.

Qualifiers

None.

Example

```
SYSMAN> SHOW TIMEOUT  
%SYSMAN-I-TIMEVAL, timeout value is 00:00:04.00
```

This command displays the current timeout value, which is 4 seconds.

SHUTDOWN NODE

Shuts down one or more nodes in an OpenVMS Cluster.

The SHUTDOWN NODE command invokes SYS\$SYSTEM:SHUTDOWN to shut down one node or multiple nodes, as you specify, in the current management environment. You can enter the shutdown command in one command line, instead of executing the SHUTDOWN.COM procedure on each node individually.

Requires SETPRV privilege or all of the following privileges: CMKRNL, EXQUOTA, LOG_IO, OPER, SYSNAM, SYSPRV, TMPMBX, WORLD.

Format

SHUTDOWN NODE

Parameters

None.

Qualifiers

/AUTOMATIC_REBOOT

/NOAUTOMATIC_REBOOT (default)

Reboots the system automatically when the shutdown is complete.

/CLUSTER_SHUTDOWN

/NOCLUSTER_SHUTDOWN (default)

Shuts down the entire cluster.

When you use the /CLUSTER_SHUTDOWN qualifier, each node suspends activity just short of shutting down completely, until all other nodes in the cluster have reached the same point in the shutdown procedure.

You must specify this option on every cluster node. If any one node is not shut down completely, the clusterwide shutdown cannot occur.

You should use the SET ENVIRONMENT/CLUSTER command before you issue a SHUTDOWN NODE/CLUSTER_SHUTDOWN command to ensure that all nodes in the cluster are shutting down.

/DISABLE_AUTOSTART

Specifies the number of minutes before shutdown when autostart queues running on the node are marked stop pending and are subject to failover to another node.

Using this qualifier gives you control over when the autostart failover process begins. By default, the value equals that of the /MINUTES_TO_SHUTDOWN qualifier.

Determine the appropriate number of minutes for your configuration by weighing a smoother transition against completing a maximum number of jobs before shutdown. The larger the value, the smoother the transition will be. The smaller the value, the more jobs will execute on the node.

/INVOKE_SYSHUTDOWN (default)

/NOINVOKE_SYSHUTDOWN

Invokes a site-specific shutdown procedure.

SYSMAN SHUTDOWN NODE

/MINUTES_TO_SHUTDOWN=number

The number of minutes until shutdown occurs. If the system logical name SHUTDOWN\$MINIMUM_MINUTES is defined, its integer value is the minimum value that you can enter. Therefore, if the logical name is defined as 10, you must specify at least 10 minutes to final shutdown or an error message displays. If the logical name is not defined, and you do not enter a value, 0 minutes is the default.

/POWER_OFF

Specifies that the system is to power off after shutdown is complete.

/REASON=text

The reason for the shutdown (one line).

/REBOOT_CHECK

/NOREBOOT_CHECK (default)

Checks for basic operating system files and notifies you if any are missing. Be sure to replace missing files before rebooting.

/REBOOT_TIME=time

The time when you expect to reboot the system such as IMMEDIATELY, IN 10 MINUTES, 2 P.M., or 14:00:00. Shutdown displays this time in a shutdown message to users.

/REMOVE_NODE

/NOREMOVE_NODE (default)

Removes a node from the active cluster quorum. Use this qualifier when you do not expect the shut-down node to rejoin the cluster for an extended period.

When you use the /REMOVE_NODE qualifier, active quorum in the remainder of the cluster is adjusted downward to reflect the fact that the removed node's votes no longer contribute to the quorum value. The shutdown procedure readjusts the quorum by issuing the SET CLUSTER/EXPECTED_VOTES command.

You can reset options by using the following command:

```
SYSMAN> STARTUP SET OPTIONS/NOVERIFY/NOCHECKPOINTING
```

For more information about cluster management, refer to *OpenVMS Cluster Systems*.

/SAVE_FEEDBACK

/NOSAVE_FEEDBACK (default)

Records feedback data collected from the system since it was last booted and creates a new version of the AUTOGEN feedback data file, which you can use the next time you run AUTOGEN.

/SPIN_DOWN_DISKS

/NOSPIN_DOWN_DISKS (default)

Spins down disks. You cannot spin down the system disk.

Description

Because SYSMAN enables you to define the target environment, you can perform a shutdown on your local node, your own cluster, or a subset of nodes on your cluster. If you are shutting down a local node, SYSMAN does not require you to remain logged in to the system during the shutdown, as long as you set the environment to the local node. See the SHUTDOWN NODE command examples and the SET ENVIRONMENT command for more information.

In shutting down the system, the shutdown procedure:

1. At decreasing time intervals, broadcasts a message to users to log out.
2. Defines the system logical SHUTDOWN\$TIME to reflect the value entered with the /MINUTES_TO_SHUTDOWN qualifier. For example, if you entered /MINUTES_TO_SHUTDOWN=10 at 12:00, the shutdown time would be 12:10.

To see if a shutdown is in progress or determine the actual time for shutdown, use the command SHOW LOGICAL SHUTDOWN\$TIME.

3. At six minutes or less before shutdown, disables all nonoperator logins. If DECnet is running, it is shut down.
4. At one minute before shutdown, stops batch and device queues and the system job queue manager.
5. At zero minutes before shutdown, invokes the site-specific command procedure SYS\$MANAGER:SHUTDWN.COM.
6. Stops all user processes; however, system processes continue. Ancillary control processes (ACPs) may delete themselves when their mounted volumes are finally dismounted.
7. Stops the secondary processor on dual-processor systems.
8. Removes all installed images.
9. Dismounts volumes and spins down disks, if you requested it. Does not spin down the system disk and the quorum disk, if a quorum disk is present.
10. Closes the operator's log file.
11. Invokes SYS\$SYSTEM:OPCRASH to shut down the system.
12. Displays the following message if you did not request an automatic reboot:

```
SYSTEM SHUTDOWN COMPLETE - USE CONSOLE TO HALT SYSTEM
```

If you requested an automatic reboot, the system reboots, provided the necessary controls are set.

Examples

1.

```
SYSMAN> SET ENVIRONMENT/CLUSTER
SYSMAN> SHUTDOWN NODE/MINUTES TO SHUTDOWN=15/REBOOT TIME="later"-
_SYSMAN> /REASON="SOFTWARE UPGRĀDE"/REBOOT_CHECK/CLUSTER_SHUTDOWN
```

The first command in this example ensures that all nodes in the cluster will shut down. The second command requests a shutdown for the entire cluster and a reboot check for any missing operating system files. The following messages are displayed to users on the cluster:

SYSMAN SHUTDOWN NODE

```
SHUTDOWN message on NODE21, from user SYSTEM at NODE21$0PA0: 12:00:00:20  
NODE21 will shut down in 15 minutes; back up later. Please log off NODE21.  
SOFTWARE UPGRADE
```

```
SHUTDOWN message on NODE22, from user SYSTEM at NODE22$0PA0: 12:00:00:22  
NODE22 will shut down in 15 minutes; back up later. Please log off NODE22.  
SOFTWARE UPGRADE
```

```
SHUTDOWN message on NODE23, from user SYSTEM at NODE23$0PA0: 12:00:00:24  
NODE23 will shut down in 15 minutes; back up later. Please log off NODE23.  
SOFTWARE UPGRADE
```

2. SYSMAN> SET ENVIRONMENT/NODE=0
Password:
SYSMAN> SHUTDOWN NODE/MINUTES=120
%SYSMAN-I-SHUTDOWN, SHUTDOWN request sent to node
SYSMAN> EXIT
\$ LOGOUT

This example shuts down the local node in 2 hours. As long as you set the environment to the local node, a subprocess of the SMISERVER system detached process runs shutdown, and remaining logged into the system during the shutdown is not necessary. If you do not set the environment to the local node, the shutdown runs via a subprocess of the current process, requiring that you remain logged in during the shutdown cycle.

SPAWN

Creates a subprocess of the current process. The context of the subprocess is copied from the current process. You can use the SPAWN command to leave SYSMAN temporarily, perform other tasks (such as displaying a directory listing or printing a file), and return to SYSMAN.

Note that SPAWN performs actions on the local node only. If you want to execute DCL commands or command procedures throughout your environment, use the DO command.

Requires TMPMBX or PRMMBX user privilege. The SPAWN command does not manage terminal characteristics. You cannot use the SPAWN and ATTACH commands if your terminal has an associated mailbox.

Format

SPAWN [command-string]

Parameter

command-string

Specifies a command string of fewer than 132 characters that you want executed in the context of the created subprocess. When the command completes execution, the subprocess terminates and control returns to the parent process. If you specify both a command string and the /INPUT qualifier, the command string executes before additional commands are obtained from the /INPUT qualifier.

Qualifiers

/INPUT=filespec

Specifies an input file containing one or more DCL command strings that you want executed by the spawned subprocess. If you specify a command string along with an input file, the command string gets processed before the commands in the input file. When processing is complete, the subprocess terminates.

/LOGICAL_NAMES (default)

/NOLOGICAL_NAMES

Specifies that the logical names of the parent process are copied to the subprocess. When you do not want the subprocess to use the logical names of the parent process, enter the /NOLOGICAL_NAMES qualifier.

/OUTPUT=filespec

Identifies the output file to which the results of the operation are written. Specify an output other than SYS\$OUTPUT whenever you use the /NOWAIT qualifier. This prevents output from being displayed while you are specifying new commands. If you omit the /OUTPUT qualifier, output gets written to the current SYS\$OUTPUT device.

/PROCESS=subprocess-name

Specifies the name of the subprocess that you want to create. The default subprocess name is in the format USERNAME_n.

SYSMAN SPAWN

/SYMBOLS (default)

/NOSYMBOLS

Determines whether the system passes DCL global and local symbols to the subprocess.

/WAIT (default)

/NOWAIT

Controls whether the system waits until the subprocess completes before you can specify more commands. The **/NOWAIT** qualifier enables you to specify new commands while the specified subprocess is running. If you specify the **/NOWAIT** qualifier, use the **/OUTPUT** qualifier to direct the output to a file instead of displaying it on the screen. Doing this prevents your terminal from being used by more than one process simultaneously.

Description

The **SPAWN** command creates a subprocess of your current process with the following attributes copied from the parent process:

- All symbols except **\$RESTART**, **\$SEVERITY**, and **\$STATUS**
- Key definitions
- The current keypad state
- The current prompt string
- All process logical names and logical name tables except those explicitly marked **CONFINE** or those created in executive or kernel mode
- Default disk and directory
- Current **SET MESSAGE** settings
- Current process privileges
- Control and verification states

Note that some attributes, such as the process's current command tables, are not copied.

When the subprocess is created, the process-permanent open files and any image or procedure context are not copied from the parent process. The subprocess is set to command level 0 (DCL level with the current prompt).

If you do not specify the **/PROCESS** qualifier, the name of this subprocess is composed of the same base name as the parent process and a unique number. For example, if the parent process name is **SMITH**, the subprocess name can be **SMITH_1**, **SMITH_2**, and so on.

The **LOGIN.COM** file of the parent process is not executed for the subprocess because the context is copied separately, allowing quicker initialization of the subprocess. When the **/WAIT** qualifier is in effect, the parent process remains in hibernation until the subprocess terminates or returns control to the parent by way of the **ATTACH** command.

More than one process simultaneously attempts to use the same input or output stream when several processes share that stream and you perform one of the following actions:

- Terminate a subprocess to which you are not currently attached.

- Terminate a process that is not spawned from the process to which you are currently attached.

Use the LOGOUT command to terminate the subprocess and return to the parent process. You can also use the ATTACH command (see ATTACH) to transfer control of the terminal to another process in the subprocess tree, including the parent process. (The SHOW PROCESS/SUBPROCESSES command displays the processes in the subprocess tree and points to the current process.)

Note

Because a tree of subprocesses can be established using the SPAWN command, you must be careful when terminating any process in the tree. When a process is terminated, all subprocesses below that point in the tree are automatically terminated.

Qualifiers used with the SPAWN command must directly follow the command verb. The command string parameter begins after the last qualifier and continues to the end of the command line.

Examples

1. SYSMAN> SPAWN DIR SYS\$MANAGER:SITE*.*

```
Directory CLU$COMMON:[SYSMGR]
SITE$STARTUP.COM;5
Total of 1 file.
SYSMAN>
```

This command enables you to enter the DIRECTORY command in DCL to see if a site-specific startup file is in the directory. After the DIRECTORY command executes, control returns to the parent process.

2. SYSMAN> SPAWN
\$ EDIT SITE\$STARTUP.COM

```
.
.
.
$ LOGOUT
Process SYSTEM_1 logged out at 28-JUN-2002 10:05:17.24
SYSMAN>
```

This example shows how you can use the SPAWN command to leave SYSMAN and edit a file. The LOGOUT command returns you to SYSMAN.

3. SYSMAN> SPAWN /NOLOGICAL_NAMES SET HOST
_Node: NODE21

```
.
.
.
$ LOGOUT
%REM-S-END, control returned to node _NODE22::
SPAWN>
```

SYSMAN SPAWN

This example shows how you can use the SPAWN command to create a subprocess in which you can use the SET HOST command. When you want to leave NODE21, enter the LOGOUT command. The /NOLOGICAL_NAMES qualifier prevents the logical names of the parent process from being copied to the subprocess.

STARTUP ADD

Adds a component to the startup database.

Requires read (R) and write (W) access to the startup database.

Format

STARTUP ADD FILE filespec

Parameters

FILE

Adds a component to the startup database. SYSMAN modifies STARTUP\$STARTUP_LAYERED by default.

filespec

Specifies which file to add to the startup database. Each component of the startup database must have a file type of .COM or .EXE and reside in SYS\$STARTUP.

Qualifiers

/CONFIRM

/NOCONFIRM (default)

Controls whether SYSMAN displays the file specification of each file before adding it to the startup database and requests you to confirm the addition. If you specify /CONFIRM, you must respond to the prompt with a Y (Yes) or a T (True) and press Return before the file is added. If you enter anything else, such as N or No, the requested file is not added.

/LOG

/NOLOG (default)

Controls whether the STARTUP ADD command displays the file specification of each file after it has been added.

/MODE=mode

Specifies the mode of execution for the file. Valid modes include DIRECT, SPAWN, BATCH, or ANY, as described in the *HP OpenVMS System Manager's Manual*.

/NODE=(node1,node2,...,noden)

Names the nodes within the cluster that run the file during startup. By default, a startup file executes on all nodes in the cluster.

/PARAMETER=(P1:arg1,P2:arg2,...,P8:arg8)

Specifies the parameters that are to be passed to the file during startup. Parameters that are omitted receive the default parameters defined by the system parameter STARTUP_Pn. If STARTUP_Pn is blank, "FULL" is used as parameter 1 (P1) and is passed by STARTUP.COM to each startup component file. If you want a blank P1 parameter given to a specific component file, use the command:

```
SYSMAN> STARTUP MODIFY FILE component.com/PARAM=P1:""
```

/PHASE=phase-name

Indicates the phase within system startup when the file is to be executed. Valid phases include LPBEGIN, LPMAIN, LPBETA, and END. LPMAIN is the default.

SYSMAN STARTUP ADD

Description

The `STARTUP ADD` command adds a component to the startup database. Startup components are the command procedures or executable files that perform actual startup work. Files from the startup database are used to start the operating system, site-specific programs, and layered products. `STARTUP$STARTUP_VMS` and `STARTUP$STARTUP_LAYERED` list the components of the startup database.

Because an OpenVMS Cluster typically shares one copy of the startup database, the SYSMAN environment can be defined as clustered or as a single node within the cluster.

Example

```
SYSMAN> STARTUP ADD FILE /MODE=DIRECT /PHASE=LPMAIN -  
_SYSMAN> DECSET$ENVMGR_STARTUP.COM
```

This command adds a record to the startup database that starts the DECSET environment manager software.

STARTUP DISABLE

Prevents a file in the startup database from executing.

Requires read (R) and write (W) access to the startup database.

Format

STARTUP DISABLE FILE filespec

Parameters

FILE

Disables a component of the startup database. SYSMAN modifies STARTUP\$STARTUP_LAYERED by default.

filespec

Specifies the name of a component in the startup database. The startup file must reside in SYS\$STARTUP and have a file type of .COM or .EXE. The asterisk (*) and percent (%) wildcard characters are permitted.

Qualifiers

/CONFIRM

/NOCONFIRM (default)

Controls whether the STARTUP DISABLE command displays the file specification of each file before disabling it in the startup database and requests you to confirm that the file be disabled. If you specify /CONFIRM, you must respond to the prompt with a Y (Yes) or a T (True) and press Return before the file is disabled. If you enter anything else, such as N or No, the requested file is not disabled.

/LOG

/NOLOG (default)

Controls whether the STARTUP DISABLE command displays the file specification of each file after it has been disabled.

/NODE=(node1,node2,...,noden)

Identifies nodes within the cluster that do not run the file during startup. By default, the startup file is disabled on all nodes in the cluster.

/PHASE=phase-name

Indicates the phase of system startup in which the specified file normally executes. Valid phases include LPBEGIN, LPMAIN, LPBETA, and END. LPMAIN is the default.

Description

The STARTUP DISABLE command prevents a file in the startup database from executing. The command edits a record in the startup database, temporarily disabling the file.

SYSMAN STARTUP DISABLE

Example

```
SYSMAN> STARTUP DISABLE FILE /NODE=NODE21 DECSET$ENVMGR_STARTUP.COM
```

This command modifies the startup database so that the DECset environment manager will not be installed on NODE21.

STARTUP ENABLE

Enables a previously disabled file in the startup database to execute during system startup.

Requires read (R) and write (W) access to the startup database.

Format

STARTUP ENABLE FILE filespec

Parameters

FILE

Enables a component of the startup database. SYSMAN modifies STARTUP\$STARTUP_LAYERED by default.

filespec

Specifies the name of the startup file that you are enabling. Wildcard characters are accepted.

Qualifiers

/CONFIRM

/NOCONFIRM (default)

Controls whether the STARTUP ENABLE command displays the file specification of each file before enabling it in the startup database and requests you to confirm that the file be enabled. If you specify /CONFIRM, you must respond to the prompt with a Y (Yes) or a T (True) and press Return before the file is enabled. If you enter anything else, such as N or No, the requested file is not enabled.

/LOG

/NOLOG (default)

Controls whether the STARTUP ENABLE command displays the file specification of each file after it has been enabled.

/NODE=(node1,node2,...,noden)

Names nodes within the cluster where the file will be enabled. By default, the startup file is enabled on all nodes.

/PHASE=phase-name

Indicates the phase within system startup when the specified file is to be enabled. Valid phases include LPBEGIN, LPMAIN, LPBETA, and END. LPMAIN is the default.

Description

The STARTUP ENABLE command permits a file that was previously disabled to execute during system startup.

Example

```
SYSMAN> STARTUP ENABLE FILE /NODE=NODE22 DECSET$ENVMGR_STARTUP.COM
```

This command modifies the startup database. NODE22 will have the DECSET environment manager installed at startup.

SYSMAN STARTUP MODIFY

STARTUP MODIFY

Changes information associated with a startup file in the startup database.
Requires read (R) and write (W) access to the startup database.

Format

STARTUP MODIFY FILE filespec

Parameters

FILE

Modifies a record in the startup database. SYSMAN modifies STARTUP\$STARTUP_LAYERED by default.

filespec

Selects a startup file for modification. Wildcard characters are accepted.

Qualifiers

/CONFIRM

/NOCONFIRM (default)

Controls whether the STARTUP MODIFY command displays the file specification of each file before modifying its startup characteristics in the startup data file and requests you to confirm that the file characteristics be modified. If you specify /CONFIRM, you must respond to the prompt with a Y (Yes) or a T (True) and press Return before the file is modified. If you enter anything else, such as N or No, the requested file is not modified.

/LOG

NOLOG (default)

Controls whether the STARTUP MODIFY command displays the file specification of each file after its startup characteristics have been modified.

/MODE=mode

Changes the mode of execution for a startup file. Valid modes include DIRECT, SPAWN, BATCH, or ANY, as described in the *HP OpenVMS System Manager's Manual*.

/NAME=filespec

Changes the name of the startup file. The file must reside in SYS\$STARTUP.

/PARAMETER=(P1:arg1,P2:arg2,...,P8:arg8)

Changes the parameters that are to be passed to the file during startup. Parameters that are omitted receive the default parameters defined by the system parameter STARTUP_Pn. If STARTUP_Pn is blank, "FULL" is used as parameter 1 (P1) and is passed by STARTUP.COM to each startup component file. If you want a blank P1 parameter given to a specific component file, use the command:

```
SYSMAN> STARTUP MODIFY FILE component.com/PARAM=P1:""
```

/PHASE=phase-name

Selects startup files for modification based on the phase in which they run. Valid phases include LPBEGIN, LPMAIN, LPBETA, and END. LPMAIN is the default.

Description

The `STARTUP MODIFY` command edits startup information associated with components in the startup database. For example, the command can rename a file or change the parameters that are passed to a file during startup. You can select a group of files for modification based on the phase in which they run.

Example

```
SYSMAN> STARTUP MODIFY FILE DECSET$ENVMGR STARTUP.COM -  
_SYSMAN> /PARAM=(P3:TRUE,P4:FALSE) /CONFIRM
```

This command changes two startup parameters for the command procedure `DECSET$ENVMGR_STARTUP.COM`.

SYSMAN STARTUP REMOVE

STARTUP REMOVE

Removes a record in the startup database, so the specified startup file no longer executes during system startup.

Requires read (R) and write (W) access to the startup database.

Format

STARTUP REMOVE FILE filespec

Parameters

FILE

Removes a component from the startup database. SYSMAN modifies STARTUP\$STARTUP_LAYERED by default.

filespec

Specifies the name of the file to remove from the startup database. Wildcard characters are accepted.

Qualifiers

/CONFIRM

/NOCONFIRM (default)

Controls whether the STARTUP REMOVE command displays the file specification of each file before deleting its record in the startup database and requests you to confirm that the file be deleted. If you specify /CONFIRM, you must respond to the prompt with a Y (Yes) or a T (True) and press Return before the file is removed. If you enter anything else, such as N or No, the requested file is not removed.

/LOG

/NOLOG (default)

Controls whether SYSMAN displays the file specification of each file after it has been removed.

/PHASE=phase-name

Indicates the phase of system startup from which the file will be removed. Valid phases include LPBEGIN, LPMAIN, LPBETA, and END.

Example

```
SYSMAN> STARTUP REMOVE FILE DECSET$ENVMGR_STARTUP.COM /LOG
```

This command takes the file DECSET\$ENVMGR_STARTUP.COM out of the startup database.

STARTUP SET DATABASE

Establishes the current startup database.

Format

STARTUP SET DATABASE database

Parameter

database

Specifies the name of the target database, which is STARTUP\$STARTUP_LAYERED by default. The second database, STARTUP\$STARTUP_VMS, is available for viewing; however, HP recommends that you do not modify it.

Qualifiers

None.

Example

```
SYSMAN> STARTUP SET DATABASE STARTUP$STARTUP_LAYERED
%SYSMAN-I-NEWCOMPFIL, current component file is now STARTUP$STARTUP_LAYERED
SYSMAN> STARTUP SHOW FILE
%SYSMAN-I-COMPFIL, contents of component database on node LUCERN
Phase   Mode   File
-----
LPBEGIN DIRECT VMS$LPBEGIN_070_STARTUP.COM
LPMAIN  DIRECT FOR$LPMAIN_070_STARTUP.COM
```

The commands in this example establish the layered products database as the default, so it can be displayed.

SYSMAN STARTUP SET OPTIONS

STARTUP SET OPTIONS

Controls logging and display of information for one or more nodes in a cluster during startup.

Requires READ (R) and WRITE (W) access to the current system parameter file on disk: SYS\$SYSTEM:VAXVMSSYS.PAR (for VAX systems) or SYS\$SYSTEM:ALPHAVMSSYS.PAR (for Alpha systems).

Format

STARTUP SET OPTIONS

Parameters

None.

Qualifiers

/CHECKPOINTING

/NOCHECKPOINTING

Displays informational messages describing the time and status of each startup phase and component procedure.

The value of the system parameter STARTUP_P2 that corresponds to /OUTPUT=CHECKPOINTING is "C".

/OUTPUT=FILE,CONSOLE

Sends output generated by using the /VERIFY qualifier to a file or to the system console. If you choose the FILE option, it creates SYS\$SPECIFIC:[SYSEXE]STARTUP.LOG.

The value of the system parameter STARTUP_P2 that corresponds to /OUTPUT=FILE is "D".

/VERIFY=FULL,PARTIAL

/NOVERIFY

Displays startup procedures as they execute. This qualifier defines the system parameter STARTUP_P2 to have the appropriate value based on the options you choose. (/VERIFY with no value following it is the equivalent of /VERIFY=full.)

/VERIFY options are in the following table:

Value	Description
FULL	Displays every line of DCL executed by startup component procedures and by STARTUP.COM. The value of the system parameter STARTUP_P2 that corresponds to this option is "V".
PARTIAL	Displays every line of DCL executed by startup component procedures, but does not display DCL executed by STARTUP.COM. The value of the system parameter STARTUP_P2 that corresponds to this option is "P".

Caution

All STARTUP_P2 parameter values modified by the SYSMAN STARTUP OPTIONS will be overridden by the AUTOGEN command procedure. To preserve any parameter modifications made with SYSMAN, edit the SYS\$SYSTEM:MODPARAMS.DAT file, as explained in the *HP OpenVMS System Manager's Manual*.

Description

The STARTUP SET OPTIONS command enables you to control logging and checkpointing during startup. You can control the amount of information logged (full or partial) and where it is displayed (file or console). You can also choose checkpointing, which displays informational messages about the time and status of each phase during startup.

The default options are /NOCHECKPOINTING, /OUTPUT=CONSOLE, and /NOVERIFY.

Because SYSMAN enables you to define the target environment, you can perform startup logging on your local node, your own cluster, and a subset of nodes on your cluster. See the SET ENVIRONMENT command for more information.

Example

```
SYSMAN> STARTUP SET OPTIONS/VERIFY=FULL/OUTPUT=FILE/CHECKPOINTING
```

This example requests startup logging with full verification, output to SYS\$SPECIFIC:[SYSEXE]STARTUP.LOG, and checkpointing. The corresponding value for system parameter STARTUP_P2 is "VDC".

SYSMAN STARTUP SHOW

STARTUP SHOW

Displays the name of the current startup database or its components as well as the startup logging options selected with the STARTUP SET OPTIONS command.

Format

```
STARTUP SHOW DATABASE
                FILE
                OPTIONS
```

Parameters

DATABASE

Displays the name of the current startup database. The two startup databases are STARTUP\$STARTUP_LAYERED and STARTUP\$STARTUP_VMS. HP recommends that you do not modify the STARTUP\$STARTUP_VMS database.

FILE

Displays the contents of the current startup database. The display includes the file name, phase, and mode of execution for each component in the database.

OPTIONS

Displays the options selected when using the STARTUP SET OPTIONS command.

Qualifiers

/FULL

Displays full information about each component in the database. In addition to the phase, file name, and mode of execution for each startup component, SYSMAN displays the nodes on which the file executes and the parameters passed to the file. This qualifier is relevant with the FILE parameter.

/NODE

Displays the nodes within the cluster on which the file executes. By default, a startup file executes on all nodes in an environment. This qualifier is relevant with the FILE parameter.

/OUTPUT=filespec

Redirects command output from SYS\$OUTPUT to the file named with the qualifier. Without a filespec, SYSMAN writes the output to SYSMAN.LIS in the current directory.

/PARAMETERS

Lists the parameters with which the startup file executes. Parameters that are not specified receive the defaults defined by the system parameter STARTUP_Pn. If STARTUP_Pn is blank, "FULL" is used as parameter 1 (P1) and is passed by STARTUP.COM to each startup component file. If you want a blank P1 parameter given to a specific component file, see the /PARAMETER qualifier under STARTUP MODIFY command for instructions.

/PHASE=phase-name

Displays components that execute in a specific phase of system startup. Valid phases include LPBEGIN, LPMAIN, LPBETA, and END. LPMAIN is the default. This qualifier is relevant with the FILE parameter.

Example

```
SYSMAN> STARTUP SET DATABASE STARTUP$STARTUP_VMS
SYSMAN> STARTUP SHOW FILE
%SYSMAN-I-COMPFIL, contents of component database on node LUCERN
Phase      Mode      File
-----
BASEENVIRON  DIRECT  VMS$BASEENVIRON_050_LIB.COM
BASEENVIRON  CALLED  VMS$BASEENVIRON_050_SMISERVER.COM
BASEENVIRON  DIRECT  VMS$BASEENVIRON_050_VMS.COM
.
.
.
```

The commands in this example display the contents of the startup database.

SYSMAN SYS_LOADABLE ADD

SYS_LOADABLE ADD

Adds an entry in the system images file SYS\$UPDATE:VMS\$SYSTEM_IMAGES.IDX.

Caution

The SYS_LOADABLE ADD command is not intended for general use. Only advanced system programmers should use this command.

Format

SYS_LOADABLE ADD product image

Parameters

product

A 1- to 8-character product mnemonic that uniquely identifies a loadable image. For user-written images, this should typically contain the string `_LOCAL_`.

image

The file name of the system loadable image you want to add. A file name is the only value you can specify for this parameter. Do not specify a device, directory, file type, or wildcard characters.

Qualifiers

/LOAD_STEP

Indicates the step of the booting process at which you want the image loaded. Valid load steps are INIT (which causes the system initialization code to load the image), and SYSINIT (which causes the SYSINIT process to load the image).

If you do not specify a value for the /LOAD_STEP qualifier, it defaults to SYSINIT.

/LOG

/NOLOG (default)

Controls whether the SYS_LOADABLE ADD command displays a notification after the entry has been added.

/MESSAGE

Enables you to specify the text of a message that is displayed when the appropriate condition is met (see the /SEVERITY qualifier). The default message is "system image load failed".

/SEVERITY

Determines how the image load status will affect console output and booting progress. You can specify the following values for this qualifier:

Value	Description
FATAL	If an error occurs loading the image, display the error message and BUGCHECK information.
INFORMATION	Display the message and continue processing.
SUCCESS	Continue even if loading the image produces an error. Does not display the message.
WARNING	If an error occurs loading the image, display the error message and continue processing.

If you do not specify a value for the /SEVERITY qualifier, it defaults to WARNING.

Description

The SYS_LOADABLE ADD command adds an entry to the system images file SYS\$UPDATE:VMS\$SYSTEM_IMAGES.IDX. You can then process this file using the command procedure SYS\$UPDATE:VMS\$SYSTEM_IMAGES.COM. Processing the file with VMS\$SYSTEM_IMAGES.COM generates a new system images data file that the system uses when it boots.

If the file SYS\$UPDATE:VMS\$SYSTEM_IMAGES.IDX does not exist, the SYS_LOADABLE ADD command creates a new one.

SYSMAN

SYS_LOADABLE REMOVE

SYS_LOADABLE REMOVE

Removes an entry in the system images file SYS\$UPDATE:VMS\$SYSTEM_IMAGES.IDX.

Caution

The SYS_LOADABLE REMOVE command is not intended for general use. Only advanced system programmers should use this command.

Format

```
SYS_LOADABLE REMOVE product
                        image
```

Parameters

product

A 1- to 8-character product mnemonic that uniquely identifies a loadable image. For user-written images this should typically contain the string `_LOCAL_`.

image

The file name of the system loadable image you want to remove. A file name is the only value you can specify for this parameter. Do not specify a device, directory, file type, or wildcard characters.

Qualifier

/LOG

/NOLOG (default)

Controls whether the SYS_LOADABLE REMOVE command displays a notification after the entry has been removed.

Description

The SYS_LOADABLE REMOVE command removes an entry from the system images file SYS\$UPDATE:VMS\$SYSTEM_IMAGES.IDX. You can then process this file using the command procedure SYS\$UPDATE:VMS\$SYSTEM_IMAGES.COM. Processing the file with VMS\$SYSTEM_IMAGES.COM generates a new system images data file that the system uses when it boots.

If the file SYS\$UPDATE:VMS\$SYSTEM_IMAGES.IDX does not exist, the SYS_LOADABLE REMOVE command creates a new, empty one.

System Management Utility

7.4 RAD Example

Reservation prior to change:

```
SYSMAN> reserved_memory list
```

```
%SYSMAN-I-OUTPUT, command execution on node PIPERI
Reservation Name  Group  RAD  Size (MB)  Pages  Attributes
AK_SEC           4711   0    4           512    Allocated
AK_SEC           4711   1    4           512    Allocated
AK_SEC           4711   2    4           512    Allocated
AK_SEC           4711   3    4           512    Allocated
AK_SEC           4711                   2    PageTables Allocated
```

Command to no longer allocate at boot time:

```
SYSMAN> reserved_memory modify ak_sec/gr=4711 /noalloc
```

New state of reservation:

```
SYSMAN> reserved_memory list
```

```
%SYSMAN-I-OUTPUT, command execution on node PIPERI
Reservation Name  Group  RAD  Size (MB)  Pages  Attributes
AK_SEC           4711   ANY  16         2048
AK_SEC           4711                   2    PageTables
```

7. To change the size of a reservation with an assigned RAD, or to change the reservation to use a different RAD, you must specify the current RAD.

Reservation prior to change:

```
SYSMAN> reserved_memory list
```

```
%SYSMAN-I-OUTPUT, command execution on node PIPERI
Reservation Name  Group  RAD  Size (MB)  Pages  Attributes
AK_SEC           4711   2    16         2048    Allocated
AK_SEC           4711                   2    PageTables Allocated
```

Attempt to change reservation size:

```
SYSMAN> reserved_memory mod ak_sec/gr=4711 /size=20
%SYSMAN-I-NODERR, error returned from node PIPERI
-SMI-E-RMRNOMATCH, no records matched search criteria
```

Correct command:

```
SYSMAN> reserved_memory mod ak_sec/gr=4711 /rad=2 /size=20
```

New state of reservation:

```
SYSMAN> reserved_memory list
```

```
%SYSMAN-I-OUTPUT, command execution on node PIPERI
Reservation Name  Group  RAD  Size (MB)  Pages  Attributes
AK_SEC           4711   2    20         2560    Allocated
AK_SEC           4711                   3    PageTables Allocated
```

USB Configuration Manager (UCM)

8.1 UCM Description

The USB (Universal Serial Bus) Configuration Manager (UCM) utility allows you to connect a computer to a variety of devices using a single four-wire cable. More specifically, UCM does the following:

- Records events such as plugging or unplugging devices and errors that occur on a USB bus. This is the USB event-logging function of UCM.
- Maps physical devices to persistent device names (based on either serial number or bus location).
- Manages additions, deletions, and modifications to devices configured on the system.

8.2 USB and UCM Concepts

The following sections introduce and explain USB and UCM.

8.2.1 Introduction to USB

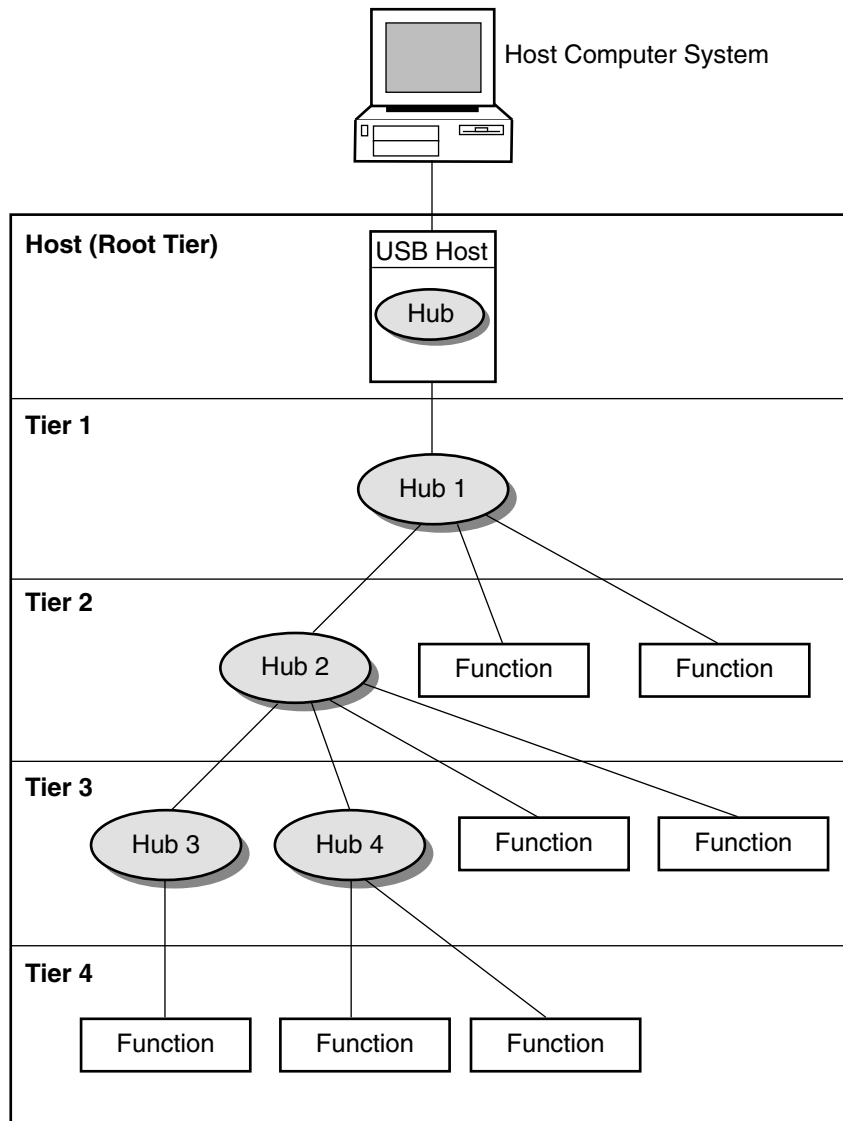
Universal Serial Bus (USB) is a communications architecture that enables a computer to interconnect a variety of devices using a single four-wire cable. The purpose of USB is to provide a user-friendly way to connect low- and medium-speed devices to host computers.

The USB connects USB devices to the USB host, which, in turn, connects with a host computer system. Each USB has only one host, labeled USB Host in Figure 8–1. (A host, however, can have multiple USBs.)

UCM

8.2 USB and UCM Concepts

Figure 8–1 USB Configuration



VM-1065A-AI

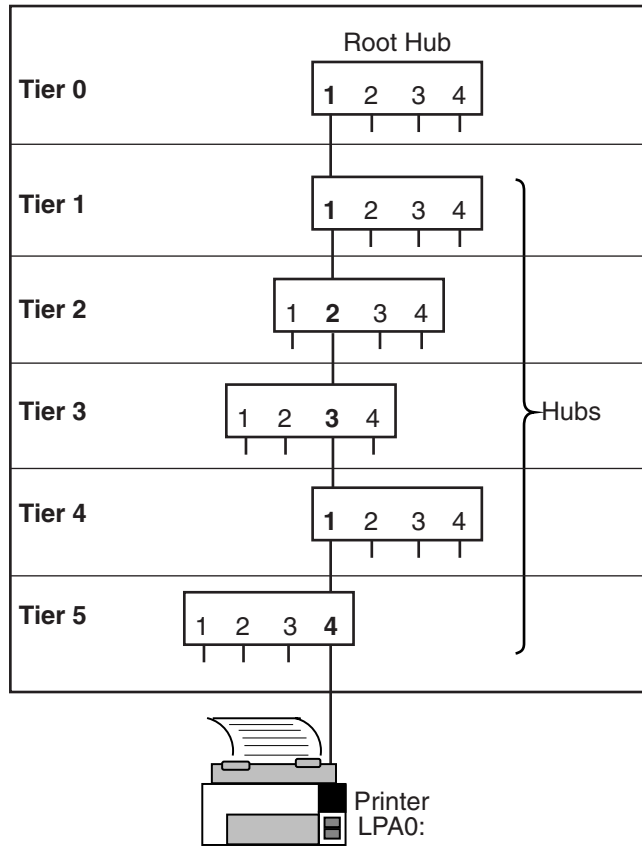
The USB host is integrated with a root hub, which provides one or more attachment points for devices. The USB physical interconnections from each hub form a star, with a hub at the center of each star.

Point-to-point wire connections link the USB host to a hub or a function, or a hub to another hub or function. Hubs and functions are USB devices that do the following:

- **Hubs** provide additional attachment points to the USB.
- **Functions** provide capabilities to the system, such as a mouse or a keyboard.

Figure 8–2 shows that up to six hubs can be chained to create a tiered configuration. The path of a device is determined by its location in the structure; for example, the path to the printer LPA0: in Figure 8–2 is 1.1.2.3.1.4. (Note, however, that the numbers printed on the physical hub might not match the numbers that UCM displays.)

Figure 8–2 Hub Tiers



VM-1066A-AI

The OpenVMS device names of USB devices are as follows:

Device Name	Description
KBD n^1	Keyboard
MOU n^1	Mouse
TXA n^1	Modem
LPA n^1	Printer driver
HID0	Special-case driver that users cannot access
UCM0	Hub driver (one per system)

¹The value of n can be between 0 and 9999.

The UCM works with the hub driver to configure USB-supported devices.

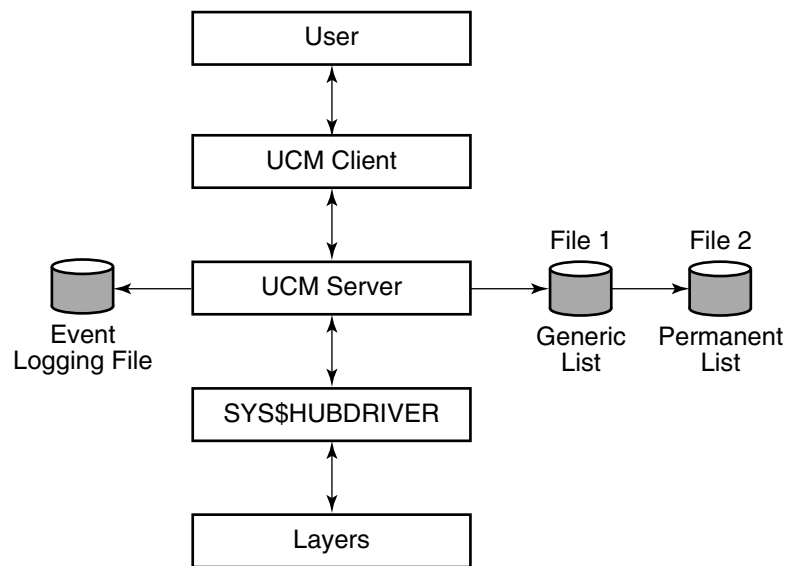
UCM

8.2 USB and UCM Concepts

8.2.2 UCM Concepts and Operation

The UCM is made up of client and server layers. The user interacts with the client layer, and the client layer interacts with the server layer. It is the server layer that interacts with the USB. Figure 8–3 shows the interaction of these layers.

Figure 8–3 UCM Architecture



VM-1067A-AI

As the figure indicates, the UCM server maintains the event-logging file and the generic and permanent list files. These files are passed to the UCM client, which can display the files to the user. (The types of lists that the UCM server uses are explained in Section 8.2.2.1.) The UCM server is in contact with the UCM driver, `SYS$HUBDRIVER`, which maintains connections with other layers of the architecture.

8.2.2.1 Types of UCM Lists

The UCM server has the following three types of lists:

- Generic list

This list contains descriptions of devices that UCM supports. The generic list is part of the file-based device configuration information that is maintained on the system. (Refer to Chapter 8 of the *HP OpenVMS System Manager's Manual*.)

The installation process creates this list. A device that has no matching entry in the generic list is an unknown device type and cannot be configured.

- Tentative list

This is a list of devices that UCM will configure if you tell it to. The tentative list, which is in memory, disappears when the server is restarted or when the system reboots.

- Permanent list

This list contains devices that UCM configures if the device is connected to the bus. The permanent list supplies a persistent name for a USB device; that is, the name is maintained across reboots and server restarts.

Persistent names work somewhat differently on devices that have or do not have serial numbers:

- On a device with a serial number, a persistent name always works.
- On a device without a serial number, a name is persistent only if you attach the device in the same place on the hub each time you attach it.

A running system has only one permanent list, which UCM reads from `SYS$SYSTEM:USB$UCM_DEVICES.DAT`. For most customers, this is the minimal file that OpenVMS provides in `SYS$COMMON:[SYSEXE]`.

Caution

Never delete `USB$UCM_DEVICES.DAT`. Deleting this file might result in the inability to use your USB attached devices.

8.2.2.2 How UCM Configures Devices

At system startup time, the following steps occur:

1. OpenVMS starts the UCM server, which does the following:
 - a. Reads the generic list of supported devices.
 - b. Reads the permanent list for descriptions of devices.
2. UCM initializes an empty tentative list.
3. UCM turns on the USB bus; a device on the bus announces itself.
4. UCM checks for device data on the permanent list. If device data is on the permanent list, UCM loads it and makes it available.
If device data is not on the list, UCM performs the next step.
5. UCM checks for data on the generic list. If device data is on this list, UCM uses it to make an entry in the tentative list.

The data stays on the tentative list until the user either adds the device to or deletes the device from the permanent list.

Notes

In configuring devices, keep in mind the following:

- Unplugging a device does not delete a tentative item.
 - Each replugging of a device creates a new tentative item.
 - A device added to the permanent list following UCM startup is not configured (that is, it is not available for use) until the device is subsequently disconnected and reconnected (unplugged and replugged).
 - Any modification to the permanent list creates a new version of the file.
-

6. Steps 3 through 5 repeat until all devices on all buses are processed.

UCM

8.2 USB and UCM Concepts

7. UCM waits for a user request or until a device is plugged in or unplugged.

Log Files

UCM uses the following log file to record disconnections, connections, and errors:

```
SYSS$MANAGER:USB$UCM_EVENTS.LOG
```

You do not need special permission to access the event log. However, you do need OPER privilege to use the UCM command SET LOG/NEW command to create a new log file. (Section 8.5 contains a table listing UCM commands and the privileges required to issue each command.)

8.3 Using UCM to Manage Devices and View Events

You can use UCM commands to select the devices you want to configure and to view USB events such as connections, disconnections, and errors. The following sections explain how to configure USB devices and how to view USB device information.

8.3.1 Configuring Devices

Before the system can configure a USB device, the device must have a corresponding entry on the permanent list. Although a few entries are included as part of USB installation, these entries provide only minimal support for a mouse and a keyboard. For most devices, you need to take certain steps to add an entry to the permanent list.

When you connect a USB device of a known type that has no entry on the permanent list, UCM uses information in the read-only generic list to create an entry in the tentative list. You must approve the entry before UCM creates an entry in the permanent list.

The following section explains how to create an entry in the permanent list.

Creating an Entry in the Permanent List

To set up a device to be configured, add the device as an entry in the permanent list. Once you do this, UCM recognizes the device each time you connect it.

In the following example, you connect a printer to the USB. The printer is a known device type; in other words, it has an entry in the generic list. However, it does not yet have an entry in the permanent list.

Follow these steps to configure the device:

1. Physically connect the printer.
2. Enter the UCM command to enter the UCM environment and to display a message about configured and unconfigured devices on your system:

```
$ UCM  
UCM>
```

3. To display more information about the unconfigured device, enter the following command:

```
$ UCM  
Universal Serial Bus Configuration Manager, Version V1.0  
UCM> SHOW DEVICE /UNCONFIGURED
```


8.3 Using UCM to Manage Devices and View Events

```

DEVICE
DEVICE_TYPE                TENTATIVE
DEVICE_NAME_ROOT           LP
UNIT_NUMBER                0
BUS                        1
PATH                       1.0.0.0.0.0
END_DEVICE
UCM>

```

Note that the display on your screen might be somewhat different from the one you see here.

- Next, you must approve the entry by entering the ADD command. For example:

```

UCM> ADD DEVICE LPA0:
UCM> EXIT

```

This command places the device information in the permanent list.

- The last step before using the printer is to unplug the printer and reconnect it. This makes the device available for use. (If a device has no serial number, you must either plug it into the same port, or use the MODIFY command to indicate its new location.)

When you reconnect the printer, its serial number and vendor ID identify it as LPA0:. UCM configures the device and makes it available for use.

Note that this step is not necessary if the UCM server is restarted or if the system is rebooted.

8.3.2 Viewing Events

The UCM event logger records events such as device connections and disconnections and certain types of errors. To see this information, you use the UCM utility SHOW EVENTS command. You can also use qualifiers to limit the display of various types of events.

Events stored in the event log include the following:

- A device was configured or deconfigured.
- A known device was connected but not configured.
- An unknown device was connected.
- Text messages were sent by USB drivers.

The following sections explain how to display information about unknown devices and configuration failures.

8.3.2.1 Information About Unknown Devices

The UCM records unknown device connections in its event log. You can view this information by adding the /TYPE=UNKNOWN qualifier to the SHOW EVENT command.

The information in the following example includes the vendor ID, the product ID, and other optional device-supplied information. If an unknown device is connected to the USB, you might want to view only events showing the activity of unknown devices for today; for example:

UCM

8.3 Using UCM to Manage Devices and View Events

```
UCM> SHOW EVENTS /TYPE=UNKNOWN /SINCE=TODAY
```

```
Date          Time          Type          Priority Component
-----
22-AUG-2002 13:04:23.26 UNKNOWN      NORMAL      UCM UNKNOWN DEVICE
Message: VENDOR_ID = 1118.PRODUCT_ID = 8.RELEASE_NUMBER = 256.BUS_NUMBER
= 1.PATH = 1.0.0.0.0.DEVICE_CLASS = 0.DEVICE_SUB_CLASS =
0.DEVICE_PROTOCOL = 0.NUMBER_OF_INTERFACES = 1.NUMBER_OF_CONFIGURATIONS
= 1.MANUFACTURER_STRING = Microsoft.PRODUCT_STRING =
Microsoft SideWinder Precision Pro (USB).CONFIGURATION_NUMBER = 0.
```

```
UCM>
```

Note that the display on your screen might be somewhat different from the one you see here.

8.3.2.2 Information about Configuration Failures

When UCM does not configure a device—because UCM cannot find an entry in the permanent list or because of a driver error—it stores this information in the event log. You can view such information using the SHOW EVENTS command and a qualifier that limits the display. For example:

```
UCM> SHOW EVENTS /SINCE=YESTERDAY
```

```
Date          Time          Type          Priority Component
-----
28-AUG-2002 17:43:47.09 DRIVER      NORMAL      HUBDRIVER
Message: Find a driver for DeviceClass/DeviceSubClass = 0x2/0x0
28-AUG-2002 17:43:47.09 UNKNOWN      NORMAL      UCM UNKNOWN DEVICE
Message: VENDOR_ID = 4483.PRODUCT_ID = 16392.RELEASE_NUMBER =
256.BUS_NUMBER = 3.PATH = 1.1.4.4.0.0.DEVICE_CLASS =
2.DEVICE_SUB_CLASS = 0.DEVICE_PROTOCOL = 0.NUMBER_OF_INTERFACES =
2.NUMBER_OF_CONFIGURATIONS = 2.MANUFACTURER_STRING
= HP Computer Corp., Inc..PRODUCT_STRING = HP USB
Modem.CONFIGURATION_NUMBER = 0.
28-AUG-2002 17:43:47.24 DRIVER      NORMAL      HUBDRIVER
Message: hub_configure_device Unable to find Interface Driver
28-AUG-2002 17:43:47.24 DRIVER      NORMAL      HUBDRIVER
Message: Find a driver for InterfaceClass/InterfaceSubClass/
Protocol = 0xff/0xff/0xff
28-AUG-2002 17:43:49.17 UCM          CRITICAL    ucm_config_request
Message: %SYSTEM-W-DEVEXISTS, device unit already exists
28-AUG-2002 17:43:50.17 DRIVER      NORMAL      HUBDRIVER
Message: Configured device TXA3 using driver SYS$YCDRIVER:
28-AUG-2002 17:43:56.11 DRIVER      NORMAL      HUBDRIVER
Message: Device on bus 3 at port 1 bus tier 4 can exceed the
bus power available
```

```
UCM> exit
```

Note that the display on your screen might be somewhat different from the one you see here.

The last message in this example, which is in bold type, indicates that there is insufficient power in the hub to supply the device. Therefore, UCM will not configure the device.

If no entry for the device is in the generic list, the log displays what is known about the device. If an error caused the failure, the error code is listed in the log.

8.4 UCM Usage Summary

The Universal Serial Bus (USB) Configuration Manager (UCM) utility allows you to connect a computer to a variety of USB devices using a single four-wire cable.

Format

UCM

To invoke UCM, enter UCM at the DCL command prompt (\$):

```
$ UCM
```

```
UCM>
```

At the UCM> prompt, you can enter any of the UCM commands described briefly in Section 8.5 and in more detail in the following sections.

Alternatively, you can enter UCM commands at the DCL prompt. For example:

```
$ UCM RELOAD
$
```

To exit from UCM, enter the EXIT command at the UCM> prompt, or press Ctrl/Z.

8.5 UCM Commands

The following table summarizes the UCM commands.

Command	Description	Privilege Required
ADD DEVICE	Allows you to add a new device to the collection of known USB devices.	SYSPRV
DELETE DEVICE	Allows you to remove a device from the collection of known devices.	SYSPRV
EXIT	Exits the UCM utility.	None
HELP	Provides online help information for using the UCM commands.	None
MODIFY DEVICE	Modifies the unit number or flags of an entry in the permanent list. The changes take effect immediately.	SYSPRV
RELOAD	Reads the generic and permanent lists from disk.	SYSPRV
RESTART	Restarts the configuration server.	CMKRNL
SET LOG/NEW	Creates a new version of the event log file.	OPER
SHOW DEVICE	Displays configured and unconfigured devices that are connected to the USB.	None
SHOW EVENTS	Displays events in the event log file.	None

ADD DEVICE

Allows you to add a new device to the collection of known USB devices.

Requires SYSPRV privilege.

Format

ADD DEVICE device-name:

Parameter

device-name:

The name of the device whose characteristics are to be added. The device name has the form *ddcu*, where:

- dd* is the device code—for example, LP. (The driver name corresponds to the device code; in this case, the driver name would be SYS\$LPDRIVER.)
- c* is the controller designation A through Z; unless UCM specifies a different letter, all USB devices are A.
- u* is the unit number (0 through 9999).

OpenVMS device names are made up of the two-character device code, followed by the controller designation, then by the unit number (which can be 1 to 4 characters long), then by a colon (:).

Qualifiers

/BUS_NUMBER=number

Specifies the USB bus number of the device. This parameter is required to identify a particular device on a system that has multiple USB buses. If you do not use this qualifier, the bus number defaults to zero.

The number can be any number from 0 through 25.

/PATH=(n1[.n2.n3.n4.n5.n6])

Specifies the path to the device on the bus. The path is used to uniquely identify a device if the device does not have a serial number. The path specification is a series of six or fewer nonzero numbers, where:

- n1* is the number of the port on the root hub (at tier 0).
- n2* through *n6* are port numbers for downstream hubs at tiers 1, 2, 3, 4, and 5. (If you do not specify trailing zeros, the UCM server supplies them.)

For example, */PATH=1.4.3* indicates that the device is plugged into port 3 of the second tier hub, which is plugged into port 4 of the first tier hub, which in turn is plugged into the root hub 1.

For a more detailed explanation of path specifications, see Figure 8–2 and the text that introduces the figure.

/UNIT_NUMBER=number

Unit numbers can be between 0 and 9999. By default, UCM selects the next available unit number. This qualifier allows you to change the unit number to suit your needs.

Example

```

$ UCM
Universal Serial Bus Configuration Manager, Version V1.0
UCM> SHOW DEVICE /UNCONFIGURED

DEVICE
DEVICE_TYPE                TENTATIVE
DEVICE_NAME_ROOT           AG
UNIT_NUMBER                 0
BUS                          1
PATH                        1.0.0.0.0.0
END_DEVICE

UCM> ADD DEVICE AGA0:

UCM> SHOW DEVICE /PERMANENT /FULL AGA0:

DEVICE
DEVICE_TYPE                PERMANENT
DEVICE_NAME_ROOT           AG
UNIT_NUMBER                 0
DRIVER                     SYS$AGDRIVER.EXE
BUS_NUMBER                  1
PATH                        1.0.0.0.0.0
HID_USAGE_DATA              65540
BEGIN_INTERFACE
HID_USAGE_DATA              65540
END_INTERFACE
END_DEVICE

UCM>

```

In this example, the first UCM command `SHOW DEVICE /UNCONFIGURED` indicates that the device has not yet been configured. It displays only the information that appears in the generic list: the device name root, the unit number, the bus, and the path.

After the `ADD DEVICE` command, the second `SHOW DEVICE` command, with the `/PERMANENT` and `/FULL` qualifiers, displays the information in the permanent list. The list includes the name of the driver assigned to the device, the bus number; and the Human Interface Device (HID) usage data number, which is used to configure devices in the HID interface class. Examples of HID devices are keyboards, mice, joysticks, and so on.

UCM DELETE DEVICE

DELETE DEVICE

Allows you to remove a device from the the permanent list.

Requires SYSPRV privilege.

Format

```
DELETE DEVICE device-name:
```

Parameters

device-name:

The name of the device whose characteristics are to be deleted. The device name has the form *ddcu*, where:

- dd* is the device code—for example, LP. (The driver name corresponds to the device code; in this case, the driver name would be SYS\$LPDRIVER.)
- c* is the controller designation A through Z; unless UCM specifies a different letter, all USB devices are A.
- u* is the unit number (0 through 9999).

OpenVMS device names are made up of the two-character device code, followed by the controller designation, then by the unit number (which can be 1 to 4 characters long), then by a colon (:).

Example

```
$ UCM
Universal Serial Bus Configuration Manager, Version V1.0
UCM> SHOW DEVICE /PERMANENT AGA0:
DEVICE
DEVICE_TYPE                PERMANENT
DEVICE_NAME_ROOT           AG
UNIT_NUMBER                 0
BUS                         1
PATH                       1.0.0.0.0.0
END_DEVICE
UCM> DELETE DEVICE AGA0:
UCM> SHOW DEVICE /PERMANENT AGA0:
%USB-E-NOSUCHDEV, Device name or device unit not found
UCM>
```

In this example, the first `SHOW DEVICE AGA0:` command displays information about the device that is in the permanent list. After the `DELETE DEVICE AGA0:` command, the second `SHOW DEVICE AGA0:` command displays an error message indicating that the device is no longer in the permanent list.

EXIT

Stops the execution of UCM and returns control to DCL command level. You can also press Ctrl/Z to perform the same function.

Format

EXIT

UCM HELP

HELP

Provides online help for using the UCM commands.

Format

HELP [command-name]

Parameter

command-name

The name of a UCM command. When you enter the HELP command with a command name, UCM displays a list of all the command keywords used with the command.

Example

```
UCM> HELP RESTART
```

```
RESTART
```

```
Restarts the configuration server. This command should be used only if the server is no longer responding to configuration requests or if the client cannot get the server to respond to commands. Use of this command requires the CMKRNL privilege.
```

```
Format
```

```
RESTART
```

```
Additional information available:
```

```
Qualifiers  
/CONFIRM
```

```
RESTART Subtopic?
```

The HELP RESTART command describes the command, shows its format, and indicates what additional information is available, such as qualifiers. It then prompts you to enter the name of the /CONFIRM qualifier to display information about this qualifier.

MODIFY DEVICE

Allows you to modify the path and unit number of a device in the permanent list. The changes take place immediately.

Requires SYSPRV privilege.

Format

MODIFY DEVICE device-name:

Parameter

device-name:

The name of the device whose characteristics are to be modified. The device name has the form *ddcu*, where:

- dd* is the device code—for example, LP. (The driver name corresponds to the device code; in this case, the driver name would be SYS\$LPDRIVER.)
- c* is the controller designation A through Z; unless UCM specifies a different letter, all USB devices are A.
- u* is the unit number (0 through 9999).

OpenVMS device names are made up of the two-character device code, followed by the controller designation, then by the unit number (which can be 1 to 4 characters long), and then by a colon (:).

Qualifiers

/BUS_NUMBER=number

Specifies the USB bus number of the device. This parameter is required to identify a particular device on a system that has multiple USB buses. If you do not use this qualifier, the bus number defaults to zero.

The number can be any number from 0 through 25.

/PATH=(n1[.n2.n3.n4.n5.n6])

Specifies the path to the device on the bus. The path is used to uniquely identify a device if the device does not have a serial number. The path specification is a series of six or fewer numbers, where:

- n1* is the number of the root hub (at tier 0).
- n2* through *n6* are port numbers for downstream hubs at tiers 1, 2, 3, 4, and 5.

For example, /PATH=1.4.3 indicates that the device is in turn plugged into port 3 of the second tier, which is plugged into port 4 of the first tier, which in turn is plugged into the root hub 1.

/UNIT_NUMBER=number

Unit numbers can be between 0 and 9999. By default, the configuration code selects the next available unit number. This qualifier allows you to change the unit number to suit your needs.

UCM

MODIFY DEVICE

Example

```
$ UCM
Universal Serial Bus Configuration Manager, Version V1.0
UCM> SHOW DEVICE /UNCONFIGURED

DEVICE
DEVICE_TYPE                TENTATIVE
DEVICE_NAME_ROOT           AG
UNIT_NUMBER                 0
BUS                         1
PATH                       1.0.0.0.0.0
END_DEVICE

UCM> ADD DEVICE AGA0:
UCM> MODIFY DEVICE AGA0:/UNIT=9999
UCM> SHOW DEVICE /PERMANENT /FULL AGA9999:

DEVICE
DEVICE_TYPE                PERMANENT
DEVICE_NAME_ROOT           AG
UNIT_NUMBER                 9999
DRIVER                     SYS$AGDRIVER.EXE
BUS NUMBER                 1
PATH                       1.0.0.0.0.0
HID_USAGE_DATA             65540
BEGIN_INTERFACE
HID_USAGE_DATA             65540
END_INTERFACE
END_DEVICE

UCM>
```

The first SHOW DEVICE command displays information from the generic list about the unconfigured AG device. The ADD DEVICE command adds the device to the permanent list, and the MODIFY DEVICE command changes the unit number of the device. The second SHOW DEVICE command displays this change.

RELOAD

Forces the configuration server to reload the configuration data from the generic and permanent device files and to rebuild the lists. This allows you to add a new device type and lets the server find out about it without restarting UCM.

Requires SYSPRV privilege.

Format

RELOAD

UCM RESTART

RESTART

Restarts the configuration server.

Note

Use this command only if the server no longer responds to configuration requests or client commands.

Requires CMKRNL privilege.

Format

RESTART

Qualifier

/CONFIRM (default)

/NOCONFIRM

Asks you to confirm the restart of the configuration server. If you answer yes, the configuration server is restarted. If you answer no, the operation is not performed.

Example

```
$ UCM
UCM> RESTART

Restart UCM Server? [N]: yes

Waiting for UCM Server image to exit....
Waiting for UCM Server image to restart....
%USB-S-SRVRESTART, Identification of new UCM Server is 00000217

UCM>
```

Following the RESTART command, UCM prompts you to confirm this command. The system assigns a new identification number to the UCM server when it restarts.

SET LOG

Tells the configuration server to create a new log file. You must use the /NEW qualifier with this command.

Requires OPER privilege.

Format

```
SET LOG /NEW
```

Qualifier

/NEW

Creates a new SYS\$MANAGER:USB\$UCM_EVENTS.DAT file. This qualifier is required with the SET LOG command.

UCM SHOW DEVICE

SHOW DEVICE

Displays information about devices.

Format

SHOW DEVICE device-name:

Parameter

device-name:

The name of the device whose characteristics are to be displayed. The device name has the form *ddcu*, where:

dd is the device code—for example, LP. (The driver name corresponds to the device code; in this case, the driver name would be SYS\$LPDRIVER.)

c is the controller designation A through Z; unless UCM specifies a different letter, all USB devices are A.

u is the unit number (0 through 9999.)

OpenVMS device names are made up of the two-character device code, followed by the controller designation, then by the unit number (which can be 1 to 4 characters long), and then by a colon (:).

Display_Qualifiers

/BRIEF (default)

Displays summary information for each device.

/FULL

Displays complete information for each device.

Selection_Qualifiers

/ALL (default)

Displays all device entries, including those that the /CONFIGURED, /GENERIC, /PERMANENT, /PHYSICAL, and /UNCONFIGURED qualifiers display.

/CONFIGURED

Displays all the devices connected to the bus that have been configured successfully.

/GENERIC

Displays the devices that are on the generic device list.

/PERMANENT

Displays the devices for which the system automatically loads device drivers if the devices are plugged in.

/PHYSICAL

Displays the devices that are connected to the bus even if drivers for these devices are not loaded.

/UNCONFIGURED

Displays devices that are attached to the bus and that have drivers, but that do not have entries in the permanent list. (These are also known as tentative devices.)

You must execute an ADD DEVICE command to make these devices part of the permanent list. Once the drivers have been added, the device is automatically configured the next time it is plugged in.

Example

```

$ UCM
UCM> SHOW DEVICE /PERMANENT /FULL DNA3:

DEVICE
DEVICE_TYPE                PERMANENT
DEVICE_NAME ROOT           DN
UNIT_NUMBER                 3
DRIVER                      SYS$DNDRIVER.EXE
USB_CONFIG_TYPE             INTERFACE
VENDOR_ID                   3519
PRODUCT_ID                  768
RELEASE_NUMBER              4352
BUS_NUMBER                  1
PATH                        1.0.0.0.0
DEVICE_CLASS                 0
DEVICE_SUB_CLASS            0
DEVICE_PROTOCOL             0
NUMBER_OF_INTERFACES        1
CONFIGURATION_VALUE         2
NUMBER_OF_CONFIGURATIONS    1
SERIAL_NUMBER                2B0301060D97A4C8
MANUFACTURER_STRING         QTS
PRODUCT_STRING              USB 2.0 ATAPI Bridge
CONFIGURATION_NUMBER         0
BEGIN_INTERFACE
INTERFACE_CLASS              8
INTERFACE_SUB_CLASS         6
INTERFACE_PROTOCOL           80
END_INTERFACE
END_DEVICE

UCM>

```

In this example, the SHOW DEVICE command displays complete information about DNA3:.

UCM SHOW EVENTS

SHOW EVENTS

Displays important events that occur on the USB bus. Data displayed can include information about device events, such as removals, connections, unrecognized devices, new devices, and so on.

Format

SHOW EVENTS

Qualifiers

/BEFORE=time

Selects events that occurred before the specified time. You can specify *time* as an absolute time, as a combination of absolute and delta times, or as the keyword TODAY (default), TOMORROW, or YESTERDAY. Times are expressed in standard OpenVMS date/time format.

/OUTPUT=file-name

Writes the selected events to the specified file. By default, output is sent to the current SYS\$OUTPUT device (usually your terminal).

You cannot use the /OUTPUT qualifier with the /PAGE qualifier.

/PAGE

/NOPAGE (default)

Controls how information is displayed. /PAGE displays events on one screen at a time.

You cannot use the /PAGE qualifier with the /OUTPUT qualifier.

/SINCE=time

Selects only those events that occurred on or after the specified time. You can specify time as absolute time, as a combination of absolute and delta times, or as the keyword TODAY (default) or YESTERDAY.

/TYPE=event-type

Selects only the specified type of events. Valid event-types are the following:

ALL	All event-types (default).
CONFIGURED	Device was recognized and configured.
DECONFIGURE	Device was removed from the bus.
DRIVER	Driver events.
UCM	UCM server events.
UNCONFIGURE	Device was recognized but not configured.
UNKNOWN	Event type is unknown.

/VALUE=event-number

Selects only the events specified by the event number. In a future version of this product, you will be able to use this qualifier as an alternative to the /TYPE qualifier for events that do not have an assigned keyword.

Example

```

$ UCM
Universal Serial Bus Configuration Manager, Version V1.0
UCM> SHOW EVENTS /SINCE=YESTERDAY
USB EVENT LISTING
-----
Date           Time           Type           Priority Component
-----
31-JUL-2002 11:46:20.76 DRIVER         NORMAL  HUBDRIVER
  Message: Find a driver for DeviceClass/DeviceSubClass = 0x9/0x0      1
31-JUL-2002 11:46:20.76 DRIVER         NORMAL  HUBDRIVER
  Message: Configured device UCM0 using driver SYS$HUBDRIVER:          2)
31-JUL-2002 11:46:21.06 DRIVER         NORMAL  HUBDRIVER
  Message: Find a driver for DeviceClass/DeviceSubClass = 0x0/0x0      3)
31-JUL-2002 11:46:21.31 UNKNOWN          NORMAL  UCM UNKNOWN DEVICE
  Message: VENDOR_ID = 3519.PRODUCT_ID = 768.RELEASE_NUMBER =
  4352.BUS_NUMBER = 1.PATH = 1.0.0.0.0.DEVICE_CLASS =
  0.DEVICE_SUB_CLASS = 0.DEVICE_PROTOCOL = 0.NUMBER_OF_INTERFACES =
  1.NUMBER_OF_CONFIGURATIONS = 1.SERIAL_NUMBER =
  2B0301060D97A4C8.MANUFACTUR                                         4)
31-JUL-2002 11:46:21.31 DRIVER         NORMAL  HUBDRIVER
  Message: Find a driver for InterfaceClass/InterfaceSubClass/
  Protocol = 0x8/0x6/0x50                                             5)
31-JUL-2002 11:46:21.46 DRIVER         NORMAL  HUBDRIVER
  Message: Configured device DNA3 using driver SYS$DNDRIVER:          6)
1-AUG-2002 11:16:07.71 DECONFIGURED NORMAL  HUBDRIVER
  Message: Deconfiguring device on bus 1 at port 1 bus tier 1 usb
  address 2                                                            7)

```

Note that the display on your screen might be somewhat different from the one you see here.

Numbers in the example correspond to the following explanations:

1. UCM saw the root hub.
2. UCM configured the root hub.
3. UCM saw a new device.
4. Data about the new device in number 3 is displayed.
5. For the device in number 3, UCM attempted to locate a drive based on device interface data.
6. UCM found and loaded the driver for the device in number 3.
7. The device specified in the message line was unplugged.

**XA Gateway Control Program Utility
(XGCP)(Alpha Only)**

9.1 XGCP Description

On OpenVMS Alpha systems, the XA Gateway Control Program utility (XGCP) provides the management interface to the DECdtm XA Gateway and creates the transaction logs used by the DECdtm XA Gateway. It can also be used to stop and restart the XA Gateway server.

The Gateway allows a DECdtm-compliant resource manager, such as RMS Journaling or Oracle Rdb, to be used with an XA-compliant transaction manager.

9.2 XGCP Commands

The following table summarizes XGCP commands:

Command	Description
CREATE_LOG	Creates a new XA Gateway log
EXIT	Exits XGCP
START_SERVER	Starts the XA Gateway server
STOP_SERVER	Stops the XA Gateway server

9.3 XGCP Usage Summary

Format

```
RUN SYS$SYSTEM: XGCP
```

Description

To invoke XGCP, enter the following command at the DCL prompt:

```
$ RUN SYS$SYSTEM: XGCP
```

XGCP displays the following prompt, at which you can enter any XGCP command:

```
XGCP>
```

To exit from XGCP, enter the EXIT command at the XGCP> prompt, or press Ctrl/Z.

XGCP CREATE_LOG

CREATE_LOG

Creates a new XA Gateway log. Requires SYSPRV privilege or read/write access to the SYS\$JOURNAL directory.

Format

```
CREATE_LOG /GATEWAY_NAME=name /SIZE=size
```

Parameters

None.

Qualifiers

/GATEWAY_NAME=name

This qualifier is required. Specify a gateway name of up to 15 characters.

Creates a gateway log named SYS\$JOURNAL:*name*.DDTM\$XG_JOURNAL. Create a separate Gateway log for each Gateway name under which you want your XA applications to run.

/SIZE=size

Specifies the initial size of the log, in blocks. If you omit this qualifier, the log is created with an initial size of 242 blocks. The log file is automatically expanded in size when necessary.

Example

```
XGCP> CREATE_LOG/GATEWAY_NAME=MYLOG1/SIZE=150
```

The command in this example creates a gateway log named SYS\$JOURNAL:MYLOG1.DDTM\$XG_JOURNAL. Its initial size is 150 blocks.

EXIT

Exits XGCP. You can also press Ctrl/Z to exit from XGCP.

Format

EXIT

Parameters

None.

Qualifiers

None.

XGCP START_SERVER

START_SERVER

Starts the XA Gateway server. Requires IMPERSONATE privilege.

Format

START_SERVER

Parameters

None.

Qualifiers

None.

Example

```
XGCP> START_SERVER
```

The command in this example executes the DCL command file SYS\$STARTUP:DDTM\$XG_STARTUP.COM, which starts the server process called DDTM\$XG_SERVER.

STOP_SERVER

Stops the XA Gateway server process, called DDTM\$XG_SERVER, on the current node.

Requires OPER, SYSPRV and AUDIT privileges.

Format

STOP_SERVER

Parameters

None.

Qualifiers

None.

Example

```
XGCP> STOP_SERVER
```

The command in this example stops the Gateway server process, called DDTM\$XG_SERVER.

Supplemental MONITOR Information—Record Formats

The following sections describe the MONITOR record formats.

Note

Contact HP Customer Support to obtain the latest MONITOR record formats.

A.1 The MONITOR Recording File

Binary performance data is written into the MONITOR recording file when a MONITOR request indicates recording. A record is written to this file once per interval for each requested class. The record contains a predefined set of data for each of the requested performance classes.

The recording file is created when a MONITOR request is initiated, and is closed when the request terminates. The MONITOR recording file may be used as a source file to format and display the data on a terminal, to create a summary file, or to record a new recording file with different characteristics.

Note

The record formats described in this section are subject to change without notice at any future OpenVMS release.

The MONITOR recording file is an OpenVMS RMS sequential file with variable-length records. Each record in the file begins with a one-byte type field. The remaining fields are different in length and format for each record type. The following list contains three categories of record types:

- Customer control record
- HP control record
- Class record

Customer control records may appear anywhere in the recording file. They are not generated by MONITOR and are ignored by MONITOR when it reads the file.

The first records in the MONITOR recording file, excluding customer control records, are HP control records. The beginning of the file has three types of HP control records: the file header record, the system information record, and the record RMS file name record. Node transition records are also control records, but can appear anywhere in the file.

Supplemental MONITOR Information—Record Formats

A.1 The MONITOR Recording File

Class records, which contain data on requested performance classes, follow the HP control records. The class record is generally written once per interval for each class being recorded. An exception to this rule occurs when several class records are required to contain data for a single class over a single interval. This can occur for the PROCESSES class when too many processes exist to be accommodated by the maximum record size.

Unique numbers are assigned to each MONITOR record type. Record type numbers 0–127 are reserved for class records; numbers 128–191 are reserved for HP control records; numbers 192–255 are reserved for customer control records.

MONITOR generates 29 record types. The following table lists the MONITOR record types and their numbers, with associated class types. (For an explanation of MONITOR class types, refer to Section A.4.1.)

Record Type	Type Number	Class Type
File Header	128	
System Information	129	
Node Transition	130	
RMS File Name	131	
PROCESSES Class	0	component
STATES Class	1	system
MODES Class	2	component
PAGE Class	3	system
IO Class	4	system
FCP Class	5	system
POOL Class ¹	6	system
LOCK Class	7	system
DECNET Class	8	system
RESERVED	9	system
RESERVED	10	system
FILE_SYSTEM_CACHE Class	11	system
DISK Class	12	component
RESERVED	13	component
DLOCK Class	14	system
SCS Class	15	component
RESERVED	16	system
SYSTEM Class	17	system
RESERVED	18	system
CLUSTER Class	19	system
RMS Class	20	component
MSCP_SERVER Class	21	system
TRANSACTION Class	22	system
VECTOR Class	23	component
VBS Class	24	system

¹POOL class information is available only in pre-Version 6.0 MONITOR recording files.

Supplemental MONITOR Information—Record Formats

A.1 The MONITOR Recording File

Record Type	Type Number	Class Type
RESERVED	25	system
RLOCK	26	system
TIMER	27	system

A.2 Conventions

The following sections define the contents of each field within each record type. Record type and record size are given in decimal representation. References to system time indicate time values in system time format (64-bit format).

The field offset names listed are not defined within MONITOR. However, HP recommends that you define and use these offset names when you work with MONITOR output records.

The following example is the suggested naming convention for the field offset names:

MNR_CCC\$X_DDDDD

CCC is a record type or class mnemonic.

X is a one-letter code indicating the size of the data item, as follows:

- B for byte
- W for word
- L for longword
- Q for quadword
- O for octaword
- T for ASCII string

DDDDD is the name describing the data item.

In the following tables that describe the record fields, the size of the data is shown in parentheses following the description of the field contents.

A.3 HP Control Records

The four types of HP control records are:

- File header record
- System information record
- Node transition record
- RMS file record

Each file has one header record, which contains information applicable to all classes of performance data contained in the file. It must be the first record (except for customer control records) in the file.

One system information record exists per node per file. The record contains information about the system being monitored and follows the header record in the file.

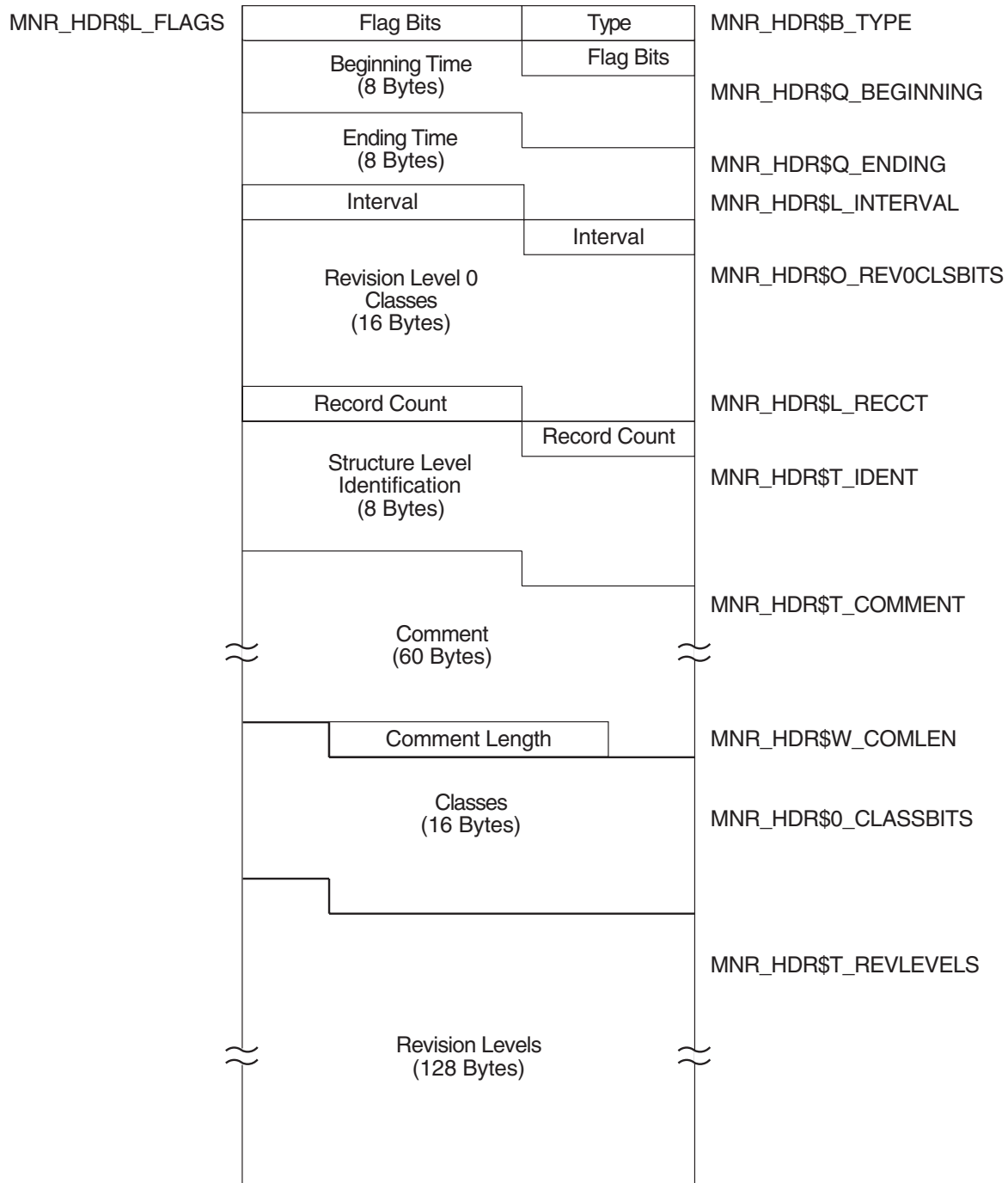
Supplemental MONITOR Information—Record Formats

A.3 HP Control Records

A.3.1 File Header Record

The file header record has a record type of 128 and a size of 259 bytes. Figure A-1 illustrates the format of the file header record.

Figure A-1 File Header Record Format



ZK-0966-GE

Supplemental MONITOR Information—Record Formats

A.3 HP Control Records

The following table describes the fields in the file header record:

Field	Symbolic Offset	Contents
Type	MNR_HDR\$B_TYPE	Record type identifier (1 byte).
Flags	MNR_HDR\$L_FLAGS	Total of 32 flag bits; low-order bit = bit 0. All flags reserved to HP for future use (1 longword).
Beginning Time	MNR_HDR\$Q_BEGINNING	System time of beginning of recording (1 quadword).
Ending Time	MNR_HDR\$Q_ENDING	System time of end of recording (1 quadword).
Interval	MNR_HDR\$L_INTERVAL	Interval in seconds between collections; this is the value specified by the user in the recording request. It is not necessarily equal to the exact interval value obtained by subtracting two consecutive time-stamps for a given class (1 longword).
Revision Level 0 Classes	MNR_HDR\$O_REV0CLSBITS	A 128-bit string representing all classes; a bit set to 1 indicates the presence in this file of a class which is at revision level 0 and whose type number corresponds to the bit number. Low-order bit = bit 0 (1 octaword). This field is provided for compatibility with OpenVMS VAX Version 3.0 files.
Record Count	MNR_HDR\$L_RECCT	Count of all records in the file (1 longword).
Structure Level Identification	MNR_HDR\$T_IDENT	MONITOR Recording File Structure Level Identification (MON31050) (8 bytes).
Comment	MNR_HDR\$T_COMMENT	Recording file description supplied by the user, including trailing blanks (60 bytes).
Comment Length	MNR_HDR\$W_COMLEN	Actual length of recording file description string specified by the user (1 word).
Classes	MNR_HDR\$O_CLASSBITS	A 128-bit string representing all classes; a bit set to 1 indicates the presence in this file of the class whose type number corresponds to the bit number. Low-order bit = bit 0 (1 octaword).
Revision Levels	MNR_HDR\$T_REVLEVELS	A 128-byte string consisting of a one-byte binary revision level number for each class. A class has a revision level of 0 initially. For each MONITOR release, if the record definition has changed, the revision level will be increased (not necessarily by 1).

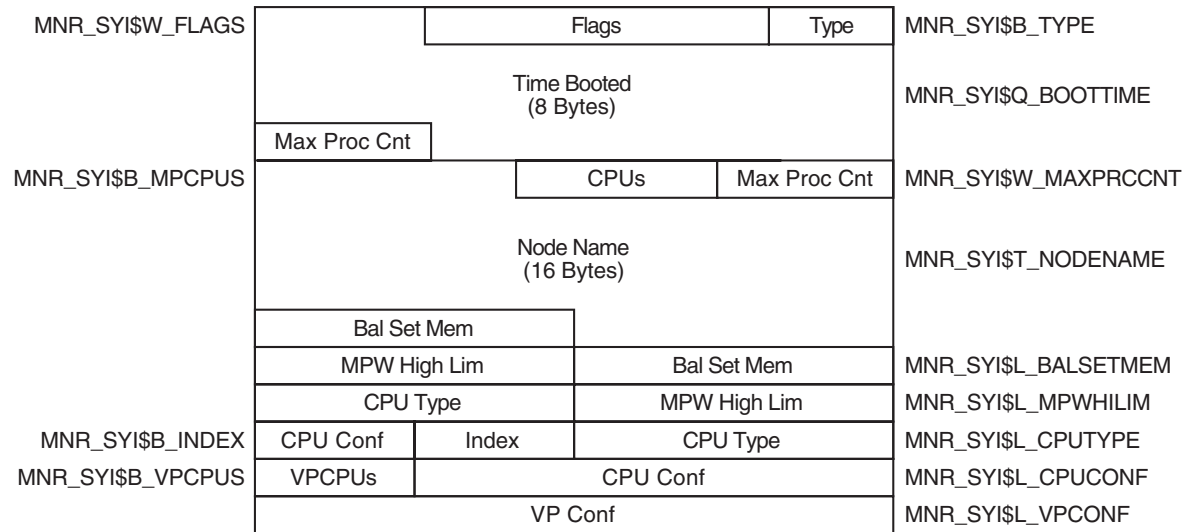
Supplemental MONITOR Information—Record Formats

A.3 HP Control Records

A.3.2 System Information Record

The system information record has a record type of 129 and a size of 47 bytes. Figure A-2 illustrates the format of the system information record.

Figure A-2 System Information Record Format



ZK-1984-GE

The following table describes the fields in the system information record:

Field	Symbolic Offset	Contents
Type	MNR_SYI\$B_TYPE	Type identifier (1 byte).
Flags	MNR_SYI\$W_FLAGS	Total of 16 flag bits; low-order bit = bit 0. If bit 0 is set to 1, the node on which the data was collected is a member of a VAXcluster. All other flags reserved to HP for future use (1 word).
Time Booted	MNR_SYI\$Q_BOOTTIME	System time at which system booted. MONITOR calculates this time by taking the number of seconds since system boot, converting this to a negative value, and adding it to the current system time (1 quadword).
Max Process Cnt	MNR_SYI\$W_MAXPRCCNT	MAXPROCESSCNT system parameter value (1 word).
CPU's	MNR_SYI\$B_MPCPUS	Number of CPU's (1 byte).
Node Name	MNR_SYI\$T_NODENAME	Node name of node being monitored (counted ASCII string, 16 bytes).
Balance Set Memory (Bal Set Mem)	MNR_SYI\$L_BALSETMEM	Number of process pages to which memory can be allocated (1 longword).
MPW High Limit	MNR_SYI\$L_MPWHILIM	MPW_HILIMIT system parameter value (1 longword).
CPU Type	MNR_SYI\$L_CPUTYPE	CPU type code. Use \$PRDEF macro for code values (1 longword).

Supplemental MONITOR Information—Record Formats

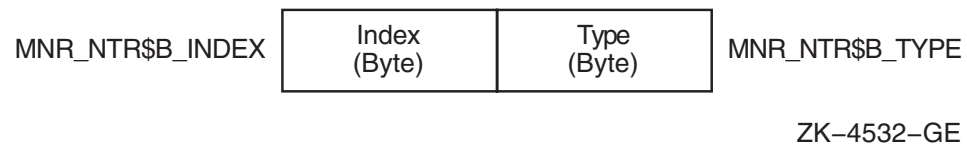
A.3 HP Control Records

Field	Symbolic Offset	Contents
Index	MNR_SYI\$B_INDEX	Identifies the position of this node in several internal MONITOR data structures (1 byte).
CPU Config	MNR_SYI\$L_CPUCONF	Bit mask defining the location of each CPU in a multiprocessor (1 longword).
VPCPUs	MNR_SYI\$B_VPCPUS	Number of vector-present processors in the current system (1 byte).
VP Config	MNR_SYI\$L_VPCONF	Bit mask identifying the vector-present processors in the configuration (1 longword).

A.3.3 Node Transition Record

The node transition record has a record type of 130 and a size of 2 bytes. Figure A–3 illustrates the format of the node transition record.

Figure A–3 Node Transition Record Format



The following table describes the fields in the node transition record:

Field	Symbolic Offset	Contents
Type	MNR_NTR\$B_TYPE	Record type identifier—indicates node removal operation (1 byte).
Index	MNR_NTR\$B_INDEX	Identifies the position of this node in several internal MONITOR data structures (1 byte).

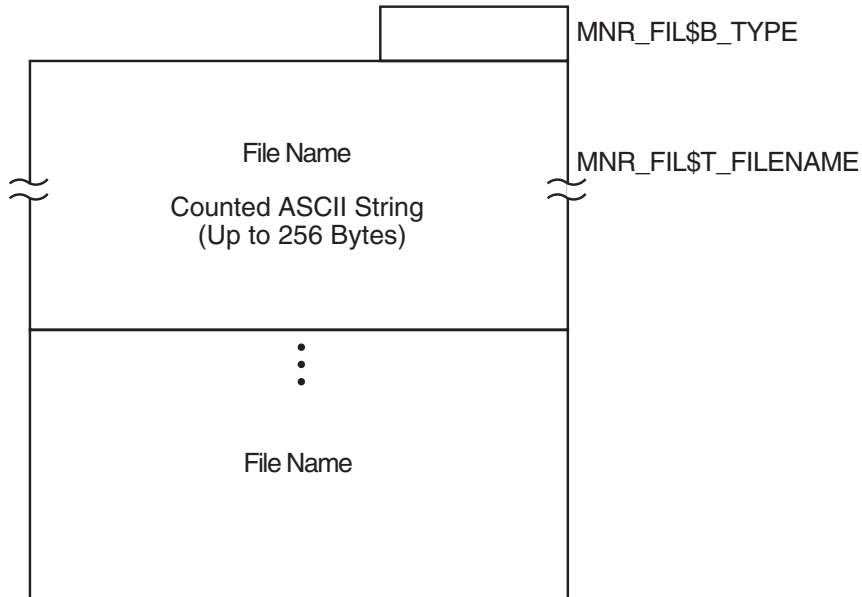
A.3.4 RMS File Record

The RMS file record has a record type of 131 and a variable size that depends on the number of RMS files and length of the file name string. Figure A–4 illustrates the format of the RMS file record.

Supplemental MONITOR Information—Record Formats

A.3 HP Control Records

Figure A-4 RMS File Record Format



ZK-6107-GE

The following table describes the fields in the RMS file record:

Field	Symbolic Offset	Contents
Type	MNR_FIL\$B_TYPE	Record type identifier (1 byte).
Filename	MNR_FIL\$T_FILENAME	A counted ASCII string that identifies the RMS file for MONITOR RMS requests (up to 256 bytes).

A.4 Class Records

The MONITOR recording file contains one class record for each requested class for every collection interval, except for the PROCESSES class. (See Section A.4.2.12 for more information about the PROCESSES class records.) For example, if a MONITOR user requested to record five classes (excluding PROCESSES) for a duration of 100 collection intervals, the file would contain 500 class records. Class records occur in order of increasing type number within an interval. The first class record for a given interval follows the last class record for the previous interval.

A.4.1 Class Type Formats

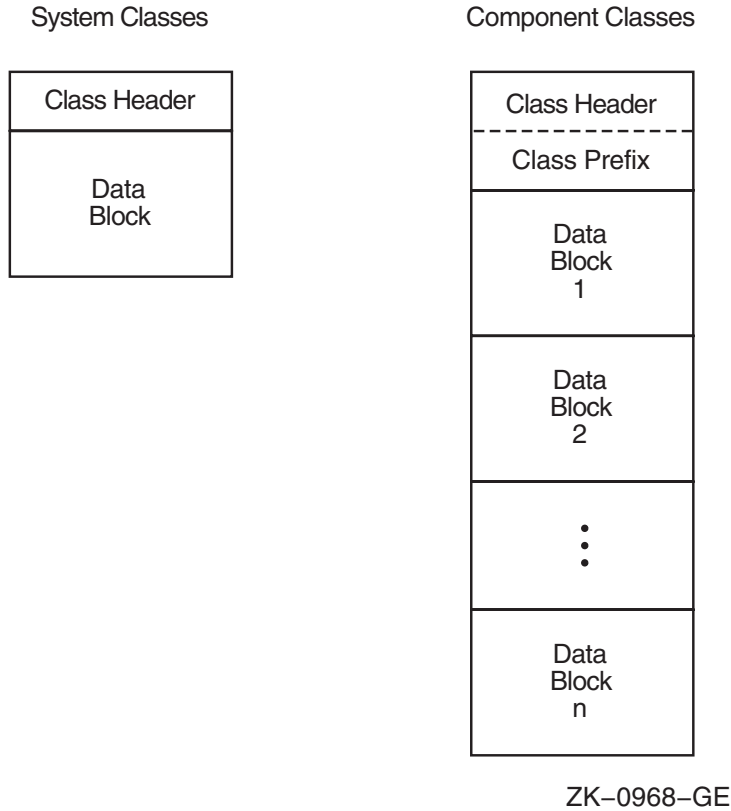
The two basic class types are system classes and component classes. A class record for a system class generally consists of counts for systemwide activities (such as page faults), whereas a class record for a component class normally contains a count for each element of a measured activity (such as I/O operations for each disk in the system).

Specifically, a class record for a system class consists of a class header followed by a data block. A class record for a component class has a class header followed by a class prefix and one data block per element.

Supplemental MONITOR Information—Record Formats A.4 Class Records

Figure A-5 illustrates the format for class records.

Figure A-5 Class Record Format

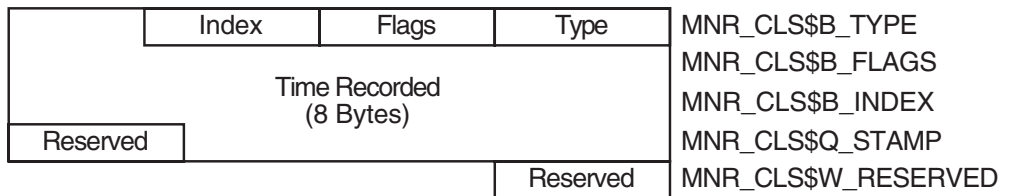


A.4.1.1 Class Header

The class header is the first part of every class record. Its format is independent of class. The class header is 13 bytes long.

Figure A-6 illustrates the format of the class header.

Figure A-6 Class Header Format



ZK-1983-GE

Supplemental MONITOR Information—Record Formats

A.4 Class Records

The following table describes the fields in the class header:

Field	Symbolic Offset	Contents
Type	MNR_CLS\$B_TYPE	Record type identifier (1 byte).
Flags	MNR_CLS\$B_FLAGS	Total of 8 flag bits; low order bit = bit 0. If bit 0 is set to 1, the data for this interval continues in the next record. Can be set for the PROCESSES class only. All other flags reserved by HP for future use (1 byte).
Index	MNR_CLS\$B_INDEX	Identifies the position of this node in several internal MONITOR data structures (1 byte).
Time	MNR_CLS\$Q_STAMP	System time at which this class record was recorded. The time value is nondecreasing across all class records in the file.
Reserved	MNR_CLS\$W_RESERVED	Reserved for HP use (1 word).

A.4.1.2 Class Prefix (Component Classes Only)

The class prefix always follows the class header for component class records. It contains data describing the number of elements (for example, processes for the PROCESSES class, disks for the DISK class) represented by the class records for the current collection interval. Unlike system class records, which have one data block per record, component classes have one data block per element.

One of the class prefix data items describes the number of elements (and therefore the number of data blocks) included in the class record. The other class prefix data item is used only for the PROCESSES class, and describes the number of processes included in the interval. The following discussion applies only to the PROCESSES class.

It is possible to monitor a number of processes so large that the required number of data blocks for one collection interval does not fit into a single maximum size record. In this case, the required number of PROCESSES class records is created to fully describe the processes.

All class headers in the set of PROCESSES class records for a given interval are identical, except for the setting of bit 0 in the MNR_CLS\$W_FLAGS field. This bit is set to 1 for all records except the last, for which it is set to 0.

The class prefixes in the set of class records vary, as described in the table following the next figure. The contents of the MNR_CMP\$L_ELTCT field depends on the number of data blocks contained in the record; the contents of the MNR_CMP\$L_PCTINT field remain constant for each record in the set. All records in the set except the last contain as many data blocks as will fit into the maximum size record (32000 bytes). The last record in the set contains the remaining data blocks.

Figure A-7 illustrates the class prefix format.

Supplemental MONITOR Information—Record Formats A.4 Class Records

Figure A-7 Class Prefix Format

Elements in Record	MNR_CMP\$L_ELTCT
Processes in Interval	MNR_CMP\$L_PCTINT

ZK-0970-GE

The following table describes the fields in the class prefix. The class prefix is 8 bytes long.

Field	Symbolic Offset	Contents
Elements in Record	MNR_CMP\$L_ELTCT	Count of elements (data blocks) in this record (1 longword).
Processes in Interval	MNR_CMP\$L_PCTINT	Count of processes (data blocks) for this interval (1 longword). This field is for the PROCESSES class only. For other component classes, this longword is reserved to HP for future use.

A.4.2 Class Data Blocks

The size and format of each data block and the number of blocks per record depend on the class. System classes have one data block per record. Component classes have one data block per element. The fields within each block are performance data items.

The following sections describe the data items within the data block for each class. Every data item falls into one of three categories. It is either a count, a level, or an informational item. A count is a numeric quantity that increases at each succeeding interval for the duration of a system boot. A level is a numeric quantity that may increase or decrease at each succeeding interval. An informational item represents data that, rather than being a unit of performance measurement (as are the first two types), is descriptive in nature.

In the tables that follow, item types are identified by the letters C (count), L (level), and I (informational). Item types are shown in parentheses, following the length of the field. Class records are listed alphabetically.

A.4.2.1 CLUSTER Class Record

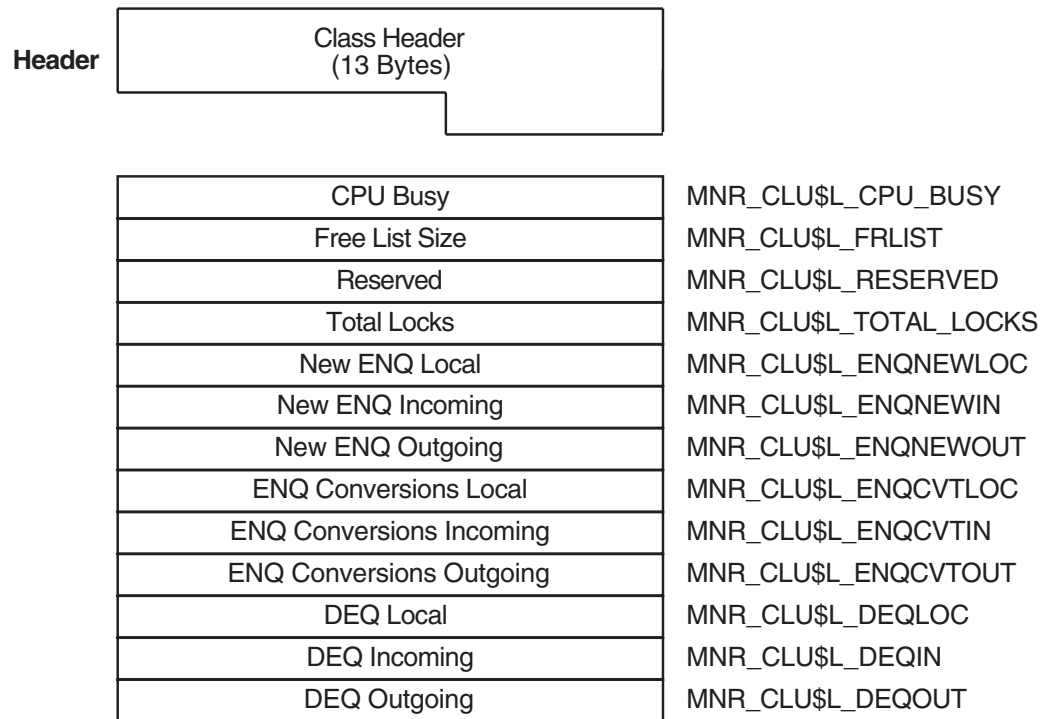
The CLUSTER class record contains data describing clusterwide CPU, memory, and locking activity. The CLUSTER class record has a record type of 19 and a size of 65 bytes. Note that when the CLUSTER class is recorded, the DISK and MODES classes are also recorded, even if not explicitly requested.

Figure A-8 illustrates the format of the CLUSTER class record.

Supplemental MONITOR Information—Record Formats

A.4 Class Records

Figure A–8 CLUSTER Class Record Format



ZK-4531-GE

The following table describes the fields in the data block for the CLUSTER class record:

Field	Symbolic Offset	Contents
CPU Busy	MNR_CLU\$L_CPU_BUSY	Count of clock ticks (10-millisecond units) spent in all CPU modes since system was booted (longword,C)
Free List Size	MNR_CLU\$L_FRLIST	Number of pages currently on the free list (longword,L)
Reserved	MNR_CLU\$L_RESERVED	Reserved to HP
Total Locks	MNR_CLU\$L_TOTAL_LOCKS	Total of all incoming, outgoing, and local ENQs, DEQs, and conversions (longword,C)
New ENQ Local	MNR_CLU\$L_ENQNEWLOC	Count of new lock requests that originate and are performed on the system (local) (longword,C)
New ENQ Incoming	MNR_CLU\$L_ENQNEWIN	Count of new lock requests that originate on other systems and are performed on this system (incoming) (longword,C)

Supplemental MONITOR Information—Record Formats A.4 Class Records

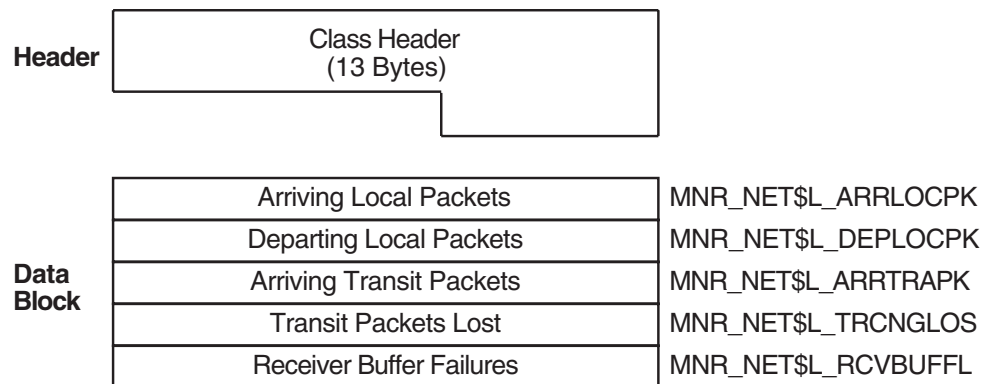
Field	Symbolic Offset	Contents
New ENQ Outgoing	MNR_CLU\$L_ENQNEWOUT	Count of new lock requests that originate on this system and are performed on other systems (outgoing) (longword,C)
ENQ Conversions Local	MNR_CLU\$L_ENQCVTLOC	Count of lock conversion requests (local) (longword,C)
ENQ Conversions Incoming	MNR_CLU\$L_ENQCVTIN	Count of lock conversion requests (incoming) (longword,C)
ENQ Conversions Outgoing	MNR_CLU\$L_ENQCVTOUT	Count of lock conversion requests (outgoing) (longword,C)
DEQ Local	MNR_CLU\$L_DEQLOC	Count of unlock requests (local) (longword,C)
DEQ Incoming	MNR_CLU\$L_DEQIN	Count of unlock requests (incoming) (longword,C)
DEQ Outgoing	MNR_CLU\$L_DEQOUT	Count of unlock requests (outgoing) (longword,C)

A.4.2.2 DECNET Class Record

The DECNET class record contains data describing the operation of the DECnet for OpenVMS subsystem. The DECNET class record has a record type of 8 and a size of 33 bytes.

Figure A–9 illustrates the format of the DECNET class record.

Figure A–9 DECNET Class Record Format



ZK-0979-GE

The following table describes the fields in the data block for the DECNET class record:

Supplemental MONITOR Information—Record Formats

A.4 Class Records

Field	Symbolic Offset	Contents
Arriving Local Packets	MNR_NET\$L_ARRLOCPK	Count of arriving local packets (longword,C)
Departing Local Packets	MNR_NET\$L_DEPLOCPK	Count of departing local packets (longword,C)
Arriving Transit Packets	MNR_NET\$L_ARRTRAPK	Count of arriving transit packets (longword,C)
Transit Packets Lost	MNR_NET\$L_TRCNGLOS	Count of packets lost because of transit congestion (longword,C)
Receiver Buffer Failures	MNR_NET\$L_RCVBUFFL	Count of receiver buffer failures (longword,C)

A.4.2.3 DISK Class Record

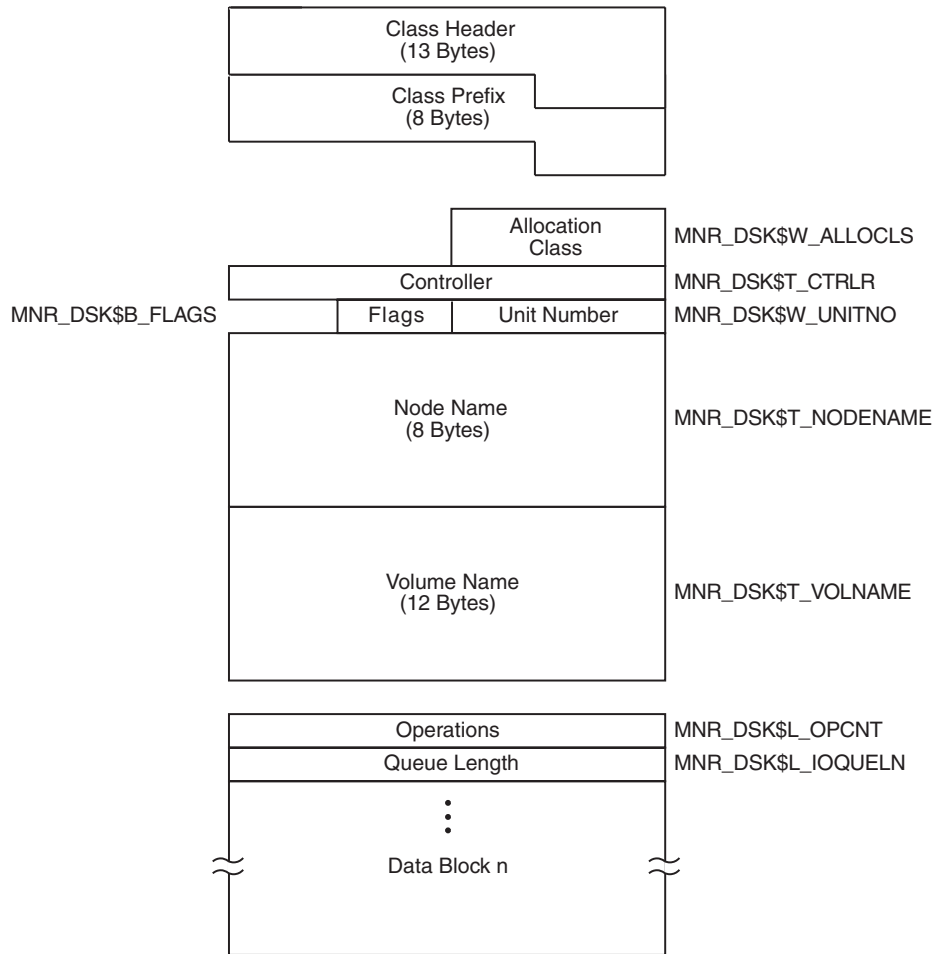
The DISK class record contains data describing all disk devices in the system. The DISK class record has a record type of 12; its size depends on the number of disks being monitored. The size, in bytes, is calculated by adding the size of the class header, the class prefix, and the data blocks contained in the record. This is shown in the following formula:

$$13 + 8 + (37 * \text{the value of MNR_CMP\$L_ELTCT})$$

Figure A–10 illustrates the format of the DISK class record.

Supplemental MONITOR Information—Record Formats A.4 Class Records

Figure A-10 DISK Class Record Format



VM-0707A-AI

The following table describes the fields in the data block for the DISK class record:

Field	Symbolic Offset	Contents
Allocation Class	<code>MNR_DSK\$W_ALLOCLS</code>	Allocation class number (word,I)
Controller	<code>MNR_DSK\$T_CTRLR</code>	Name of device controller (counted ASCII string) (4 bytes,I)
Unit Number	<code>MNR_DSK\$W_UNITNO</code>	Unit number (word,I)
Flags	<code>MNR_DSK\$B_FLAGS</code>	Total of 8 flag bits; if the low bit is set, the device is served by the MSCP server (byte,I)
Node Name	<code>MNR_DSK\$T_NODENAME</code>	Name of cluster node where device resides (counted ASCII string) (8 bytes,I)
Volume Name	<code>MNR_DSK\$T_VOLNAME</code>	Volume name of disk (ASCII) (12 bytes,I)

Supplemental MONITOR Information—Record Formats

A.4 Class Records

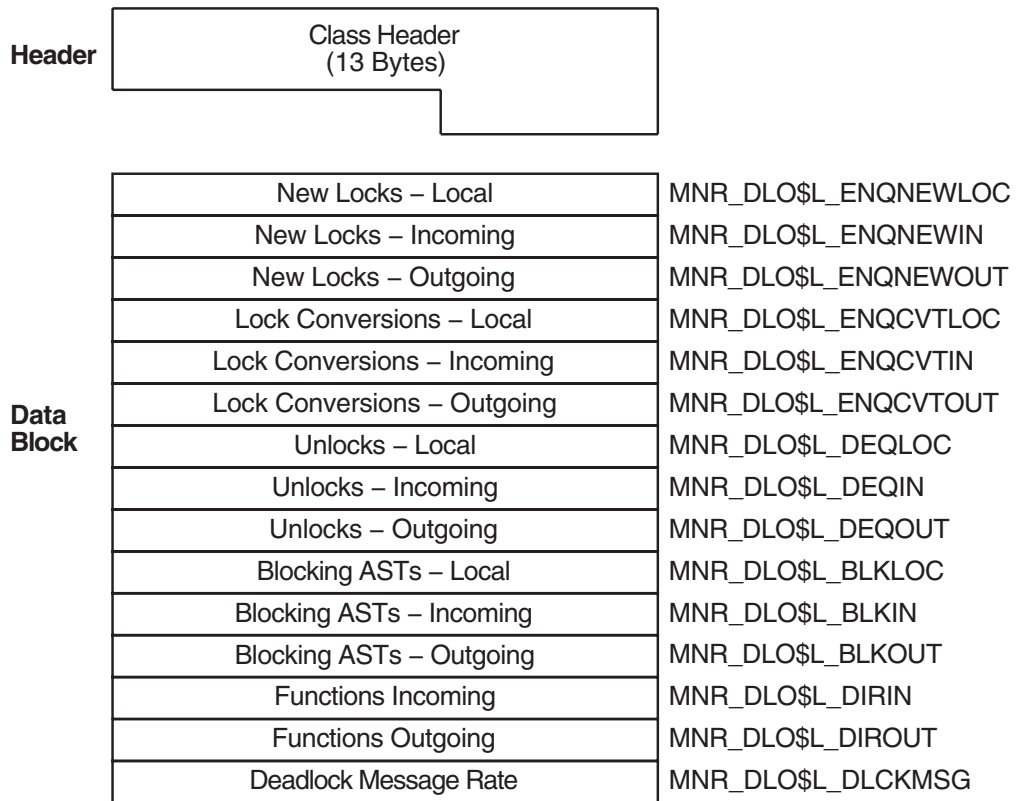
Field	Symbolic Offset	Contents
Operations	MNR_DSK\$L_OPCNT	Count of I/O operations (longword,C)
Queue Length	MNR_DSK\$L_IOQUELN	Sum of I/O request queue samples (longword,C)

A.4.2.4 DLOCK Class Record

The DLOCK class record contains data describing the operation of the Distributed Lock Management facility. The DLOCK class record has a record type of 14 and a size of 73 bytes.

Figure A–11 illustrates the format of the DLOCK class record.

Figure A–11 DLOCK Class Record Format



ZK-1349-GE

The following table describes the fields in the data block for the DLOCK class record:

Supplemental MONITOR Information—Record Formats A.4 Class Records

Field	Symbolic Offset	Contents
New Locks —Local	MNR_DLO\$L_ENQNEWLOC	Count of new lock requests that originate and are performed on this system (local) (longword,C)
New Locks —Incoming	MNR_DLO\$L_ENQNEWIN	Count of new lock requests originating on another system and performed on this system (incoming) (longword,C)
New Locks —Outgoing	MNR_DLO\$L_ENQNEWOUT	Count of new lock requests originating on this system and performed on another system (outgoing) (longword,C)
Lock Conversions —Local	MNR_DLO\$L_ENQCVTLOC	Count of lock conversion requests (local) (longword,C)
Lock Conversions —Incoming	MNR_DLO\$L_ENQCVTIN	Count of lock conversion requests (incoming) (longword,C)
Lock Conversions —Outgoing	MNR_DLO\$L_ENQCVTOUT	Count of lock conversion requests (outgoing) (longword,C)
Unlocks—Local	MNR_DLO\$L_DEQLOC	Count of unlock requests (local) (longword,C)
Unlocks—Incoming	MNR_DLO\$L_DEQIN	Count of unlock requests (incoming) (longword,C)
Unlocks—Outgoing	MNR_DLO\$L_DEQOUT	Count of unlock requests (outgoing) (longword,C)
Blocking ASTs —Local	MNR_DLO\$L_BLKLOC	Count of lock manager blocking ASTs (local) (longword,C)
Blocking ASTs —Incoming	MNR_DLO\$L_BLKIN	Count of lock manager blocking ASTs (incoming) (longword,C)
Blocking ASTs —Outgoing	MNR_DLO\$L_BLKOUT	Count of lock manager blocking ASTs (outgoing) (longword,C)
Directory Functions —Incoming	MNR_DLO\$L_DIRIN	Count of directory functions (incoming) (longword,C)
Directory Functions —Outgoing	MNR_DLO\$L_DIROUT	Count of directory functions (outgoing) (longword,C)
Deadlock Message Rate	MNR_DLO\$L_DLCKMSG	Count of incoming and outgoing lock manager messages required for deadlock detection (longword,C)

A.4.2.5 FCP Class Record

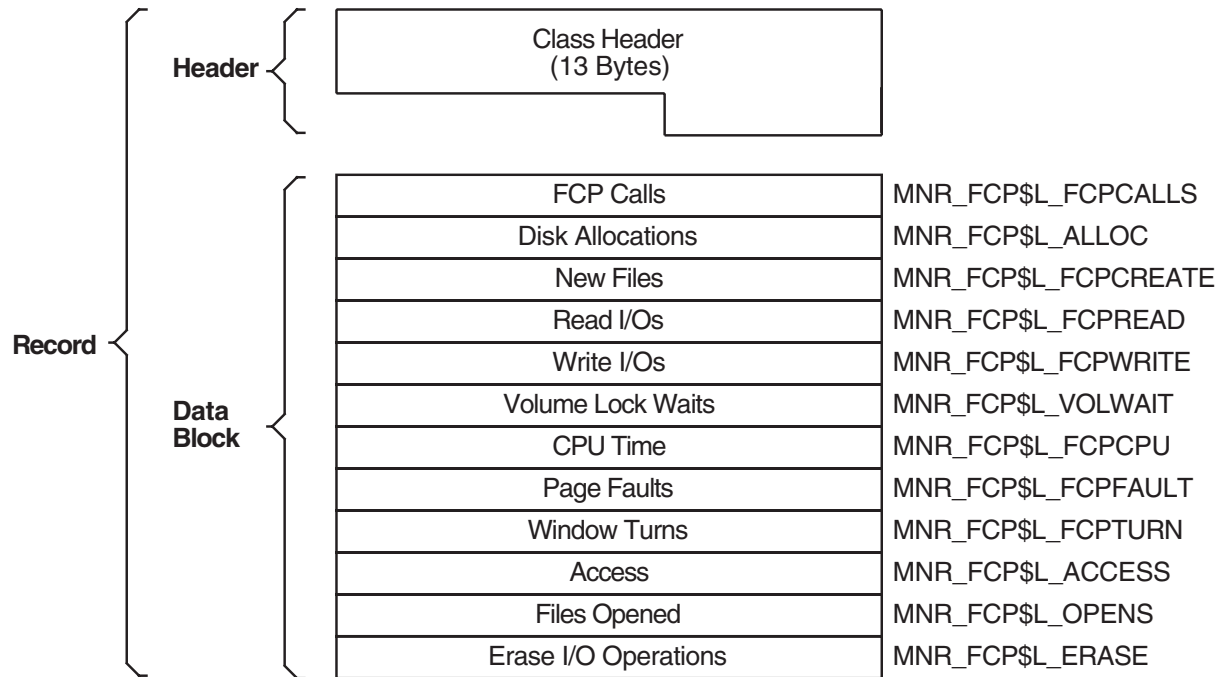
The FCP class record contains data describing the operation of the file system ACPs. The FCP class record has a record type of 5 and a size of 61 bytes.

Figure A–12 illustrates the format of the FCP class record.

Supplemental MONITOR Information—Record Formats

A.4 Class Records

Figure A-12 FCP Class Record Format



ZK-0976-GE

The following table describes the fields in the data block for the FCP class record:

Field	Symbolic Offset	Contents
FCP Calls	MNR_FCP\$L_FCPCALLS	Count of QIO requests received by the file system (longword,C)
Disk Allocations	MNR_FCP\$L_ALLOC	Count of QIO requests that caused allocation of disk space (longword,C)
New Files	MNR_FCP\$L_FCPCREATE	Count of new files created (longword,C)
Read I/Os	MNR_FCP\$L_FCPREAD	Count of read I/O operations from the disk by the file system (longword,C)
Write I/Os	MNR_FCP\$L_FCPWRITE	Count of write I/O operations to disk by the file system (longword,C)
Volume Lock Waits	MNR_FCP\$L_VOLWAIT	Number of times a wait state was entered by the XQP due to volume lock contention (longword,C)
CPU Time	MNR_FCP\$L_FCPCPU	Count of clock ticks (10-millisecond units) of CPU time used by the file system (longword,C)
FCP Page Faults	MNR_FCP\$L_FCPFAULT	Count of page faults for the file system (longword,C)
Window Turns	MNR_FCP\$L_FCPTURN	Count of file-map window misses (longword,C)
Access	MNR_FCP\$L_ACCESS	Count of file name lookup operations in file directories (longword,C)

Supplemental MONITOR Information—Record Formats A.4 Class Records

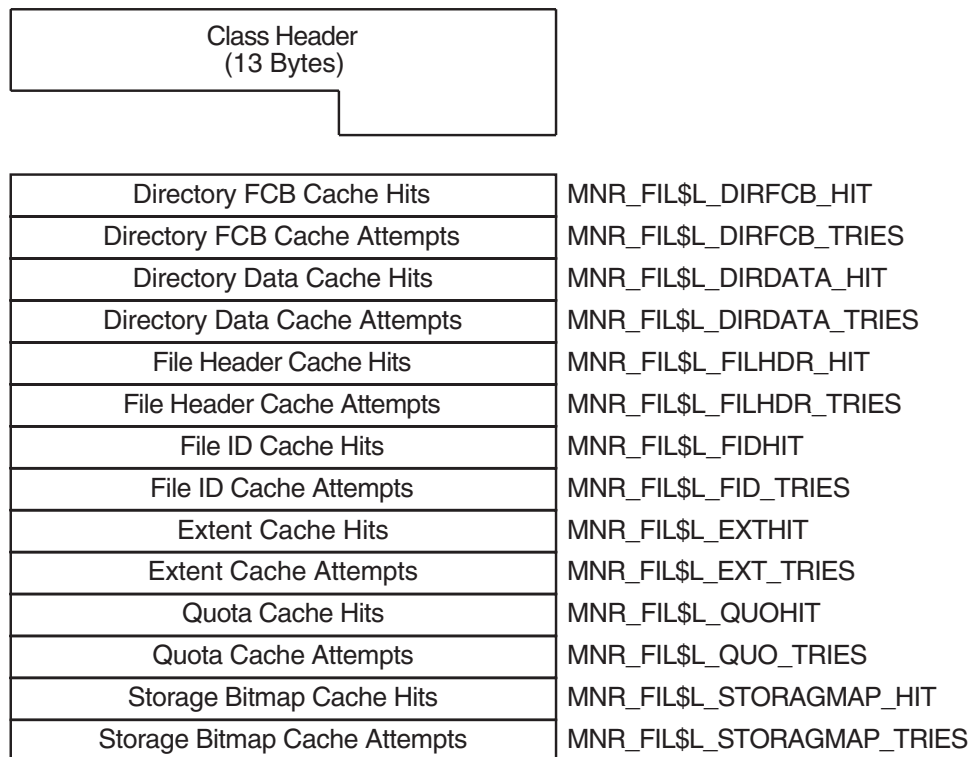
Field	Symbolic Offset	Contents
Files Opened	MNR_FCP\$L_OPENS	Count of files opened (longword,C)
Erase I/O Operations	MNR_FCP\$L_ERASE	Count of erase I/O operations issued (longword,C)

A.4.2.6 FILE_SYSTEM_CACHE Class Record

The FILE_SYSTEM_CACHE class record contains data describing the operation of the caches for the file system ACPs and XQPs. The FILE_SYSTEM_CACHE class record has a record type of 11 and a size of 69 bytes.

Figure A–13 illustrates the format of the FILE_SYSTEM_CACHE class record.

Figure A–13 FILE_SYSTEM_CACHE Class Record Format



ZK-1985-GE

The following table describes the fields in the data block for the FILE_SYSTEM_CACHE class record:

Field	Symbolic Offset	Contents
Directory FCB Cache Hits	MNR_FIL\$L_DIRFCB_HIT	Count of hits on directory FCB cache (longword,C)
Directory FCB Cache Attempts	MNR_FIL\$L_DIRFCB_TRIES	Count of attempts on directory FCB cache (longword,C)
Directory Data Cache Hits	MNR_FIL\$L_DIRDATA_HIT	Count of hits on directory data cache (longword,C)

Supplemental MONITOR Information—Record Formats

A.4 Class Records

Field	Symbolic Offset	Contents
Directory Data Cache Attempts	MNR_FIL\$L_DIRDATA_TRIES	Count of attempts on directory data cache (longword,C)
File Header Cache Hits	MNR_FIL\$L_FILHDR_HIT	Count of hits on file header cache (longword,C)
File Header Cache Attempts	MNR_FIL\$L_FILHDR_TRIES	Count of attempts on file header cache (longword,C)
File ID Cache Hits	MNR_FIL\$L_FIDHIT	Count of hits on file ID cache (longword,C)
File ID Cache Attempts	MNR_FIL\$L_FID_TRIES	Count of attempts on file ID cache (longword,C)
Extent Cache Hits	MNR_FIL\$L_EXTHIT	Count of hits on extent cache (longword,C)
Extent Cache Attempts	MNR_FIL\$L_EXT_TRIES	Count of attempts on extent cache (longword,C)
Quota Cache Hits	MNR_FIL\$L_QUOHIT	Count of hits on quota cache (longword,C)
Quota Cache Attempts	MNR_FIL\$L_QUO_TRIES	Count of attempts on quota cache (longword,C)
Storage Bitmap Cache Hits	MNR_FIL\$L_STORAGMAP_HIT	Count of hits on storage bitmap cache (longword,C)
Storage Bitmap Cache Attempts	MNR_FIL\$L_STORAGMAP_TRIES	Count of attempts on storage bitmap cache (longword,C)

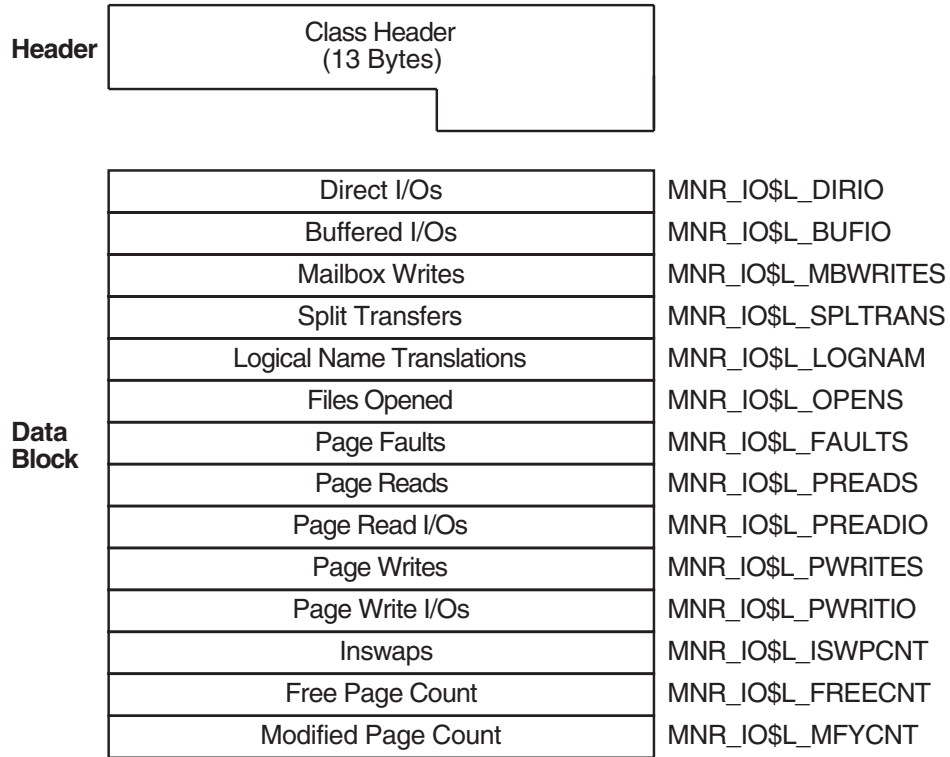
A.4.2.7 I/O Class Record

The I/O class record contains data describing the operation of the I/O subsystem. The I/O class record has a record type of 4 and a size of 69 bytes.

Figure A–14 illustrates the format of the I/O class record.

Supplemental MONITOR Information—Record Formats A.4 Class Records

Figure A–14 I/O Class Record Format



ZK-0975-GE

The following table describes the fields in the data block for the I/O class record:

Field	Symbolic Offset	Contents
Direct I/Os	MNR_IO\$L_DIRIO	Count of direct I/O operations (longword,C)
Buffered I/Os	MNR_IO\$L_BUFIO	Count of buffered I/O operations (longword,C)
Mailbox Writes	MNR_IO\$L_MBWRITES	Count of write-to-mailbox requests (longword,C)
Split Transfers	MNR_IO\$L_SPLTRANS	Count of split transfers (longword,C)
Logical Name Translations	MNR_IO\$L_LOGNAM	Count of logical name translations (longword,C)
Files Opened	MNR_IO\$L_OPENS	Count of files opened (longword,C)
Page Faults	MNR_IO\$L_FAULTS	Count of page faults for all working sets (longword,C)
Page Reads	MNR_IO\$L_PREADS	Count of pages read from disk as a result of page faults (longword,C)
Page Read I/Os	MNR_IO\$L_PREADIO	Count of read I/O operations from disk as a result of page faults (longword,C)
Page Writes	MNR_IO\$L_PWRITES	Count of pages written to the page file (longword,C)

Supplemental MONITOR Information—Record Formats

A.4 Class Records

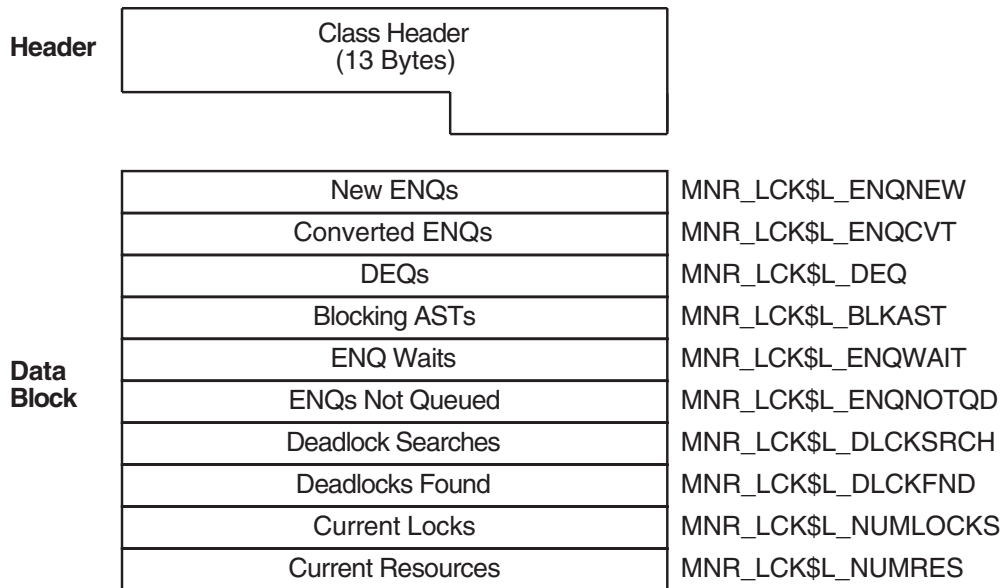
Field	Symbolic Offset	Contents
Page Write I/Os	MNR_IO\$L_PWRITIO	Count of write I/O operations to the page file (longword,C)
Inswaps	MNR_IO\$L_ISWPCNT	Count of working sets read into memory from the swap file (longword,C)
Free Page Count	MNR_IO\$L_FREECNT	Number of pages currently on free-page list (longword,L)
Modified Page Count	MNR_IO\$L_MFYCNT	Number of pages currently on modified-page list (longword,L)

A.4.2.8 LOCK Class Record

The LOCK class record contains data describing the operation of the lock management subsystem. The LOCK class record has a record type of 7 and a size of 53 bytes.

Figure A–15 illustrates the format of the LOCK class record.

Figure A–15 LOCK Class Record Format



ZK-0978-GE

Supplemental MONITOR Information—Record Formats A.4 Class Records

The following table describes the fields in the data block for the LOCK class record:

Field	Symbolic Offset	Contents
New ENQs	MNR_LCK\$L_ENQNEW	Count of new ENQ (lock) requests (longword,C)
Converted ENQs	MNR_LCK\$L_ENQCVT	Count of converted ENQ (lock) requests (longword,C)
DEQs	MNR_LCK\$L_DEQ	Count of DEQ (unlock) requests (longword,C)
Blocking ASTs	MNR_LCK\$L_BLKAST	Count of blocking ASTs queued (longword,C)
ENQ Waits	MNR_LCK\$L_ENQWAIT	Count of times a lock could not be granted immediately and waited (longword,C)
ENQs Not Queued	MNR_LCK\$L_ENQNOTQD	Count of times a lock could not be granted immediately and got an error status instead of waiting (longword,C)
Deadlock Searches	MNR_LCK\$L_DLCKSRCH	Count of times that a deadlock search was performed (longword,C)
Deadlocks Found	MNR_LCK\$L_DLCKFND	Count of times that a deadlock was found (longword,C)
Current Locks	MNR_LCK\$L_NUMLOCKS	Number of locks currently in the system (longword,L)
Current Resources	MNR_LCK\$L_NUMRES	Number of resources currently in the system (longword,L)

A.4.2.9 MODES Class Record

The MODES class record contains data describing time spent in each of the processor modes. The MODES class record has a record type of 2; its size depends on the number of active CPUs on the system being monitored. The size, in bytes, is calculated by adding the size of the class header, the class prefix, and the data blocks contained in the record. This is shown in the following formula, which assumes that all CPUs are active:

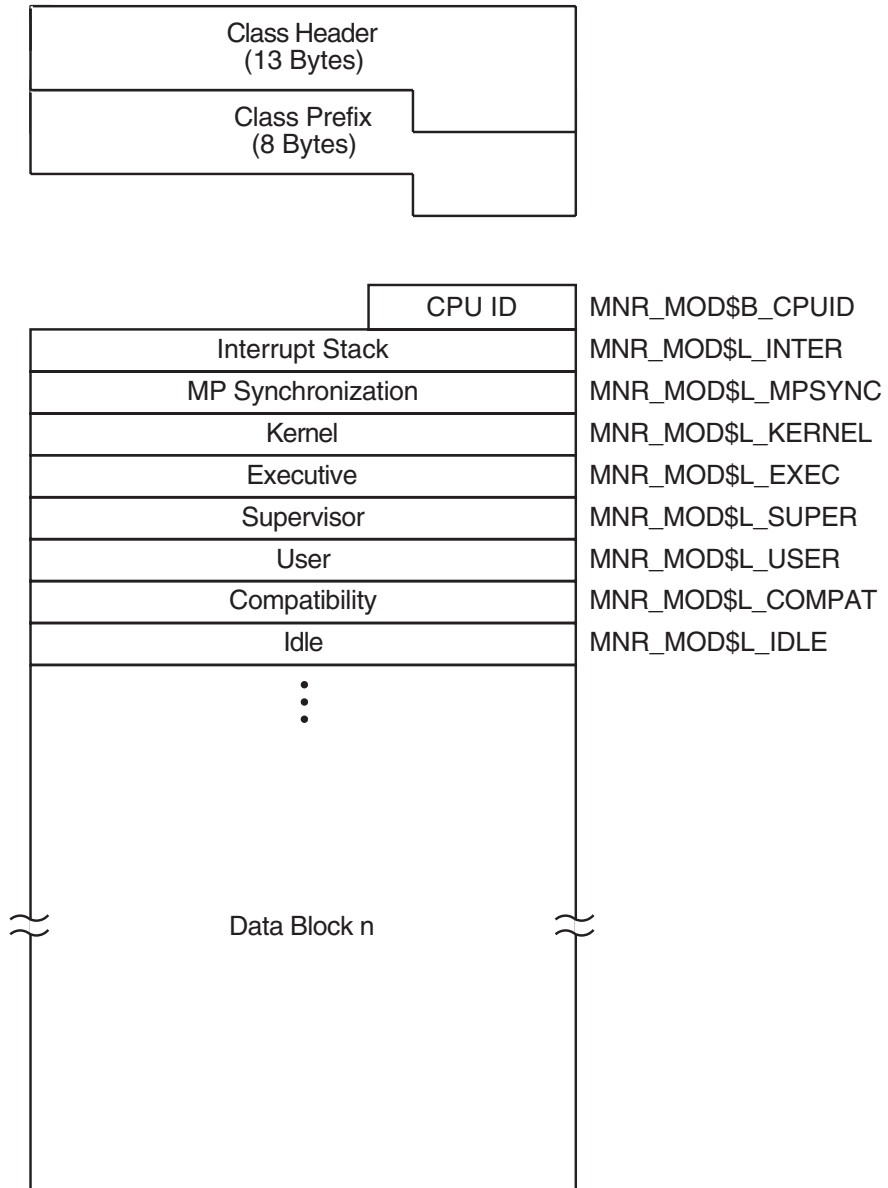
$$13 + 8 + (33 * \text{MNR_SYI\$B_MPCPUS})$$

Figure A–16 illustrates the format of the MODES class record.

Supplemental MONITOR Information—Record Formats

A.4 Class Records

Figure A-16 MODES Class Record Format



ZK-0973-GE

Supplemental MONITOR Information—Record Formats A.4 Class Records

The following table describes the fields in the data block for the MODES class record:

Field	Symbolic Offset	Contents
CPU ID	MNR_MOD\$B_CPUID	CPU identification (byte,I)
Interrupt Stack	MNR_MOD\$L_INTER	Count of clock ticks (10-millisecond units) spent on interrupt stack since system was booted (longword,C)
MP Synchronization	MNR_MOD\$L_MP_SYNC	Count of clock ticks spent synchronizing multiple CPUs since system boot
Kernel	MNR_MOD\$L_KERNEL	Count of clock ticks spent in kernel mode, excluding interrupt stack time, since system boot (longword,C)
Executive	MNR_MOD\$L_EXEC	Count of clock ticks spent in executive mode since system boot (longword,C)
Supervisor	MNR_MOD\$L_SUPER	Count of clock ticks spent in supervisor mode since system boot (longword,C)
User	MNR_MOD\$L_USER	Count of clock ticks spent in user mode, excluding compatibility mode time since system boot (longword,C)
Compatibility	MNR_MOD\$L_COMPAT	Count of clock ticks boot spent in compatibility mode since system boot (longword,C)
Idle	MNR_MOD\$L_IDLE	Count of clock ticks spent executing the NULL process since system boot (longword,C)

A.4.2.10 MSCP_SERVER Class Record

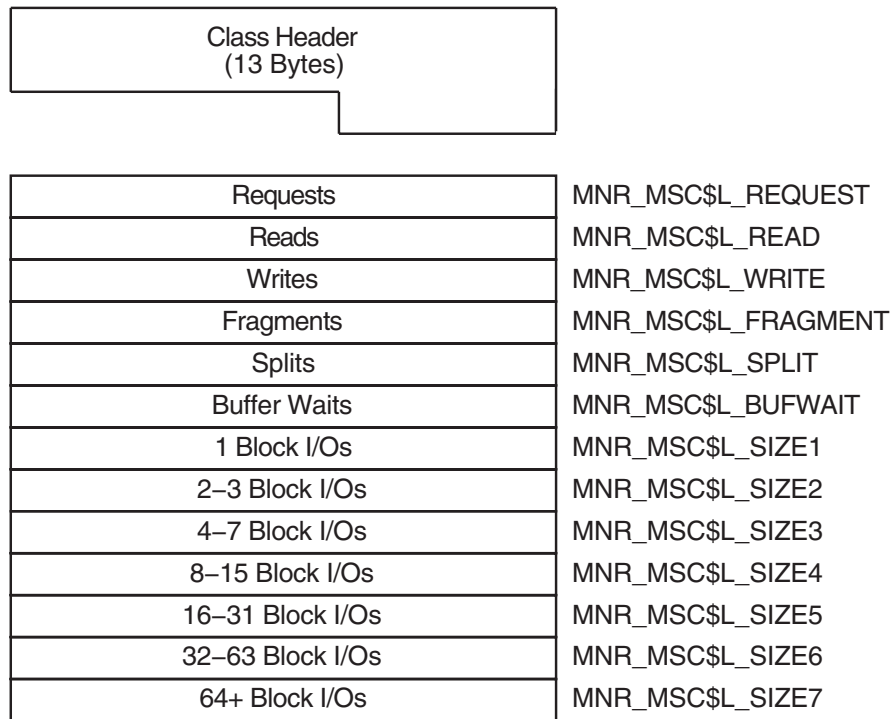
The MSCP_SERVER class record contains data describing activities of the MSCP server. The MSCP_SERVER class record has a record type of 21 and a size of 65 bytes.

Figure A–17 illustrates the format of the MSCP_SERVER class record.

Supplemental MONITOR Information—Record Formats

A.4 Class Records

Figure A-17 MSCP_SERVER Class Record Format



ZK-6374-GE

The following table describes the fields in the data block for the MSCP_SERVER class record:

Field	Symbolic Offset	Contents
Requests	MNR_MSC\$L_REQUEST	Count of requests for I/O transfers by remote processors (longword,C)
Reads	MNR_MSC\$L_READ	Count of requests for Read I/O transfers by remote processors (longword,C)
Writes	MNR_MSC\$L_WRITE	Count of requests for Write I/O transfers by remote processors (longword,C)
Fragments	MNR_MSC\$L_FRAGMENT	Count of extra fragments issued by the server (longword,C)
Splits	MNR_MSC\$L_SPLIT	Count of fragmented requests issued by the server (longword,C)
Buffer Waits	MNR_MSC\$L_BUFWAIT	Count of requests that had to wait for MSCP buffer memory (longword,C)
1 Block I/Os	MNR_MSC\$L_SIZE1	Count of I/O requests with a length of one block (longword,C)
2-3 Block I/Os	MNR_MSC\$L_SIZE2	Count of I/O requests with a length of 2 to 3 blocks (longword,C)
4-7 Block I/Os	MNR_MSC\$L_SIZE3	Count of I/O requests with a length of 4 to 7 blocks (longword,C)
8-15 Block I/Os	MNR_MSC\$L_SIZE4	Count of I/O requests with a length of 8 to 15 blocks (longword,C)

Supplemental MONITOR Information—Record Formats A.4 Class Records

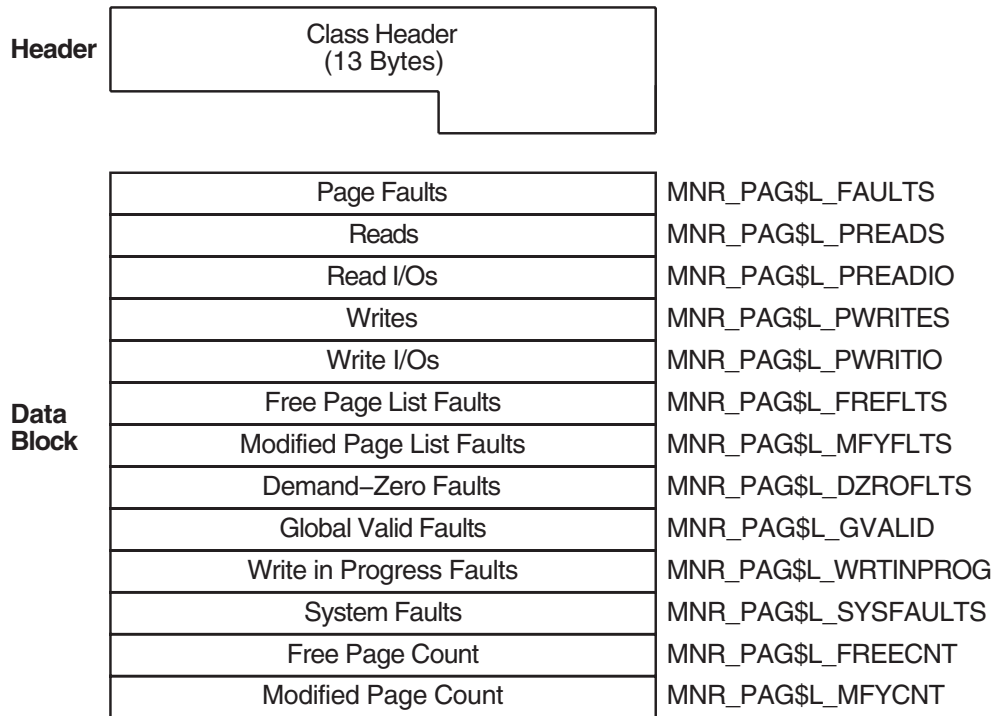
Field	Symbolic Offset	Contents
16—31 Block I/Os	MNR_MSC\$L_SIZE5	Count of I/O requests with a length of 16 to 31 blocks (longword,C)
32—63 Block I/Os	MNR_MSC\$L_SIZE6	Count of I/O requests with a length of 32 to 63 blocks (longword,C)
64+ Block I/Os	MNR_MSC\$L_SIZE7	Count of I/O requests with a length equal to or greater than 64 blocks (longword,C)

A.4.2.11 PAGE Class Record

The PAGE class record contains data describing the operation of the page management subsystem. The PAGE class record has a record type of 3 and a size of 65 bytes.

Figure A–18 illustrates the format of the PAGE class record.

Figure A–18 PAGE Class Record Format



ZK-0974-GE

The following table describes the fields in the data block for the PAGE class record:

Field	Symbolic Offset	Contents
Page Faults	MNR_PAG\$L_FAULTS	Count of page faults for all working set (longword,C)
Reads	MNR_PAG\$L_PREADS	Count of pages read from disk as a result of page faults (longword,C)

Supplemental MONITOR Information—Record Formats

A.4 Class Records

Field	Symbolic Offset	Contents
Read I/Os	MNR_PAG\$L_PREADIO	Count of read I/Os as a result of operations from disk page faults (longword,C)
Writes	MNR_PAG\$L_PWRITES	Count of pages written to the page file (longword,C)
Write I/Os	MNR_PAG\$L_PWRITIO	Count of write I/O operations to the page file (longword,C)
Free-page List Faults	MNR_PAG\$L_FREFLT	Count of pages read from the free list as a result of page faults (longword,C)
Modified-page List Faults	MNR_PAG\$L_MFYFLT	Count of pages read from the modified list as a result of page faults (longword,C)
Demand-zero Faults	MNR_PAG\$L_DZROFLT	Count of zero-filled pages allocated as a result of faults (longword,C)
Global Valid Faults	MNR_PAG\$L_GVALID	Count of page faults for which the reference page was found to be valid in the system global page tables (longword,C)
Write-in-Progress Faults	MNR_PAG\$L_WRTINPROG	Count of pages read that were in the process of being written back to disk when faulted (longword,C)
System Faults	MNR_PAG\$L_SYSAULTS	Count of page faults for which the referenced page is in system space (longword,C)
Free-page Count	MNR_PAG\$L_FREECNT	Number of pages currently on free-page list (longword,L)
Modified-page Count	MNR_PAG\$L_MFYCNT	Number of pages currently on modified-page list (longword,L)

A.4.2.12 PROCESSES Class Record

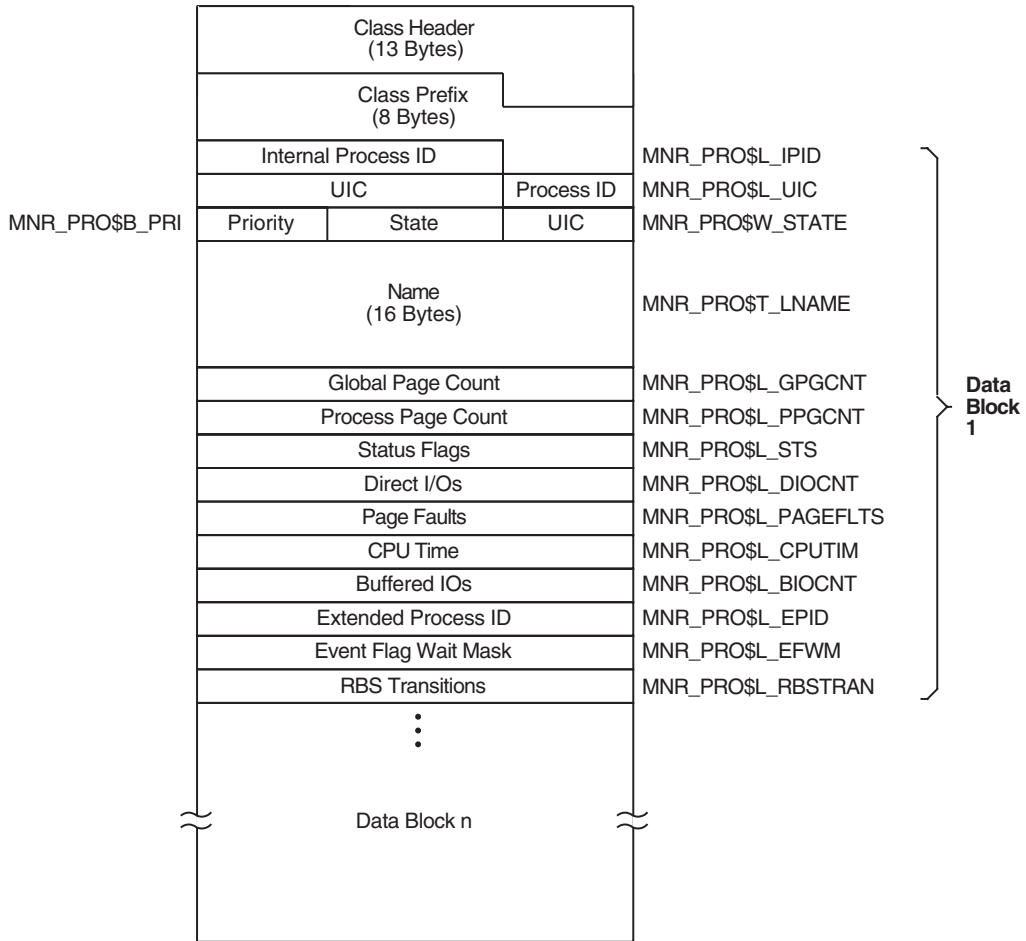
The PROCESSES class record contains data describing all processes in the system. The PROCESSES class record has a record type of 0; its size depends on the number of processes being monitored. The size, in bytes, is calculated by adding the size of the class header, the class prefix, and the data blocks contained in the record. This is shown in the following formula:

$$13 + 8 + (67 * \text{the value of MNR_CMP\$L_ELTCT})$$

Figure A–19 illustrates the format of the PROCESSES class record.

Supplemental MONITOR Information—Record Formats A.4 Class Records

Figure A-19 PROCESSES Class Record Format



ZK-0971-GE

Supplemental MONITOR Information—Record Formats

A.4 Class Records

The following table describes the fields in the data block for the PROCESSES class record:

Field	Symbolic Offset	Contents
Internal Process ID	MNR_PRO\$L_IPID	Internal process identification (longword,I)
UIC	MNR_PRO\$L_UIC	User identification code (Group is high-order word; Member is low-order word) (longword,I)
State	MNR_PRO\$W_STATE	Current scheduling state code (word,I)
Priority	MNR_PRO\$B_PRI	Current software priority (complement of 31) (byte,I)
Name	MNR_PRO\$t_LNAME	Process name (counted ASCII string) (16 bytes,I)
Global Page Count	MNR_PRO\$L_GPGCNT	Current global page count (longword,L)
Process Page Count	MNR_PRO\$L_PPGCNT	Current process page count (longword,L)
Status Flags	MNR_PRO\$L_STS	Software process status flags (PCB\$V_RES bit clear implies swapped out) (longword,I)
Direct I/Os	MNR_PRO\$L_DIOCNT	Direct I/O count (0 if swapped out) (longword,C)
Page Faults	MNR_PRO\$L_PAGEFLT\$S	Page fault count (0 if swapped out) (longword,C)
CPU Time	MNR_PRO\$L_CP\$UTIM	Accumulated CPU time, in 10 ms ticks (0 if swapped out) (longword,C)
Buffered I/Os	MNR_PRO\$L_BIO\$CNT	Buffered I/O count (0 if swapped out) (longword,C)
Extended Process ID	MNR_PRO\$L_EPID	Extended process identification (longword,I)
Event Flag Weight Mask	MNR_PRO\$L_EFW\$M	Event flag wait mask (used for MWAITS) (longword, I)
RBS Transitions	MNR_PRO\$L_RB\$STRAN	Real balance slot transitions (longword, C)

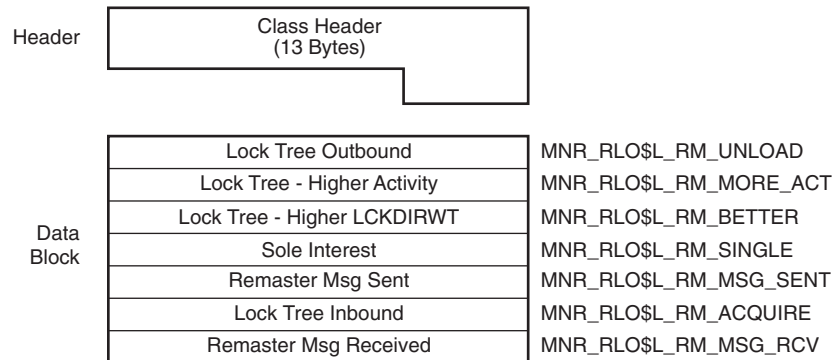
A.4.2.13 RLOCK Class Record

The RLOCK class record contains data that is useful for monitoring the dynamic lock remastering statistics of a node. The RLOCK class record has a record type of 27 and a size of 41 bytes.

Figure A–20 illustrates the format of the RLOCK class record.

Supplemental MONITOR Information—Record Formats A.4 Class Records

Figure A-20 RLOCK Class Record Format



VM-0773A-A1

The following table describes the fields in the data block for the RLOCK class record:

Field	Symbolic Offset	Contents
Lock Tree Outbound	MNR_RLO\$L_RM_UNLOAD	Count of lock trees that are moved from this node.
Lock Tree-Higher Activity	MNR_RLO\$L_RM_MORE_ACT	Count of trees that are moved due to higher locking activity on another node in the cluster.
Lock Tree-Higher LCKDIRWT	MNR_RLO\$L_RM_BETTER	Count of trees that are moved to a node with a higher value of the system parameter LCKDIRWT.
Sole Interest	MNR_RLO\$L_RM_SINGLE	Count of trees that are moved to another node because that node is the only one with locks remaining on the tree.
Remaster Msg Sent	MNR_RLO\$L_RM_MSG_SENT	Count of remaster messages sent from this node.
Lock Tree Inbound	MNR_RLO\$L_RM_ACQUIRE	Count of trees that are moved to this node.
Remaster Msg Received	MNR_RLO\$L_RM_MSG_RCV	Count of remaster messages received on this node.

A.4.2.14 RMS Class Record

The RMS class record contains data describing Record Management Services for specified files. The RMS class record has a record type of 20. Use the following formula to calculate the record size (the formula calculates the size by adding the size of the class header, the class prefix, and the data blocks contained in the record):

$$13 + 8 + (273 * \text{MNR_CMP\$L_ELTCT})$$

Supplemental MONITOR Information—Record Formats

A.4 Class Records

Figure A-21 illustrates the format of the RMS class record.

Figure A-21 RMS Class Record Format

Class Header (13 Bytes)	
Class Prefix (8 Bytes)	
File Num	MNR_RMS\$B_FILNUM
File Org	MNR_RMS\$L_ORG
(Reserved)	MNR_RMS\$L_RESERVED1
Sequential Gets	MNR_RMS\$L_SEQGETS
Key Gets	MNR_RMS\$L_KEYGETS
RFA Gets	MNR_RMS\$L_RFAGETS
Get Bytes (8 Bytes)	MNR_RMS\$Q_GETBYTES
Sequential Puts	MNR_RMS\$L_SEQPUTS
Key Puts	MNR_RMS\$L_KEYPUTS
Put Bytes (8 Bytes)	MNR_RMS\$Q_PUTBYTES
Updates	MNR_RMS\$L_UPDATES
Update Bytes (8 Bytes)	MNR_RMS\$Q_UPDATEBYTES
Deletes	MNR_RMS\$L_DELETES
Truncates	MNR_RMS\$L_TRUNCATES
Truncate Blocks	MNR_RMS\$L_TRUNCBLKS
Sequential Finds	MNR_RMS\$L_SEQFINDS
Key Finds	MNR_RMS\$L_KEYFINDS
RFA Finds	MNR_RMS\$L_RFAFINDS
Reads	MNR_RMS\$L_READS
Read Bytes (8 Bytes)	MNR_RMS\$Q_READBYTES
Connects	MNR_RMS\$L_CONNECTS
Disconnects	MNR_RMS\$L_DISCONNECTS

ZK-5915A-GE

(continued on next page)

Supplemental MONITOR Information—Record Formats A.4 Class Records

Figure A–21 (Cont.) RMS Class Record Format

Extends	MNR_RMS\$L_EXTENDS
Extend Blocks	MNR_RMS\$L_EXTBLOCKS
Flushes	MNR_RMS\$L_FLUSHES
Rewinds	MNR_RMS\$L_REWINDS
Writes	MNR_RMS\$L_WRITES
Write Bytes (8 Bytes)	MNR_RMS\$Q_WRITEBYTES
File Lock ENQs	MNR_RMS\$L_FLCKENQS
File Lock DEQs	MNR_RMS\$L_FLCKDEQS
File Lock Conversions	MNR_RMS\$L_FLCKCNVS
Local Buffer ENQs	MNR_RMS\$L_LBLCKENQS
Local Buffer DEQs	MNR_RMS\$L_LBLCKDEQS
Local Buffer Conversions	MNR_RMS\$L_LBLCKCNVS
Global Buffer ENQs	MNR_RMS\$L_GBLCKENQS
Global Buffer DEQs	MNR_RMS\$L_GBLCKDEQS
Global Buffer Conversions	MNR_RMS\$L_GBLCKCNVS
Global Section ENQs	MNR_RMS\$L_GSLCKENQS
Global Section DEQs	MNR_RMS\$L_GSLCKDEQS
Global Section Conversions	MNR_RMS\$L_GSLCKCNVS
Record Lock ENQs	MNR_RMS\$L_RLCKENQS
Record Lock DEQs	MNR_RMS\$L_RLCKDEQS
Record Lock Conversions	MNR_RMS\$L_RLCKCNVS
Append Lock ENQs	MNR_RMS\$L_APPLCKENQS
Append Lock DEQs	MNR_RMS\$L_APPLCKDEQS
Append Lock Conversions	MNR_RMS\$L_APPLCKCNVS
File Lock Blocking ASTs	MNR_RMS\$L_FLBLKASTS
Local Buffer Blocking ASTs	MNR_RMS\$L_LBLBLKASTS
Global Buffer Blocking ASTs	MNR_RMS\$L_GBLBLKASTS
Append Lock Blocking ASTs	MNR_RMS\$L_APPBLKASTS
Local Cache Hits	MNR_RMS\$L_LCACHEHITS
Local Cache Attempts	MNR_RMS\$L_LCACHEATT
Global Cache Hits	MNR_RMS\$L_GCACHEHITS
Global Cache Attempts	MNR_RMS\$L_GCACHEATT
Global Buffer Read I/Os	MNR_RMS\$L_GBRDIRIOS
Global Buffer Write I/Os	MNR_RMS\$L_GBWDIRIOS
Local Buffer Read I/Os	MNR_RMS\$L_LBRDIRIOS
Local Buffer Write I/Os	MNR_RMS\$L_LBWDIRIOS

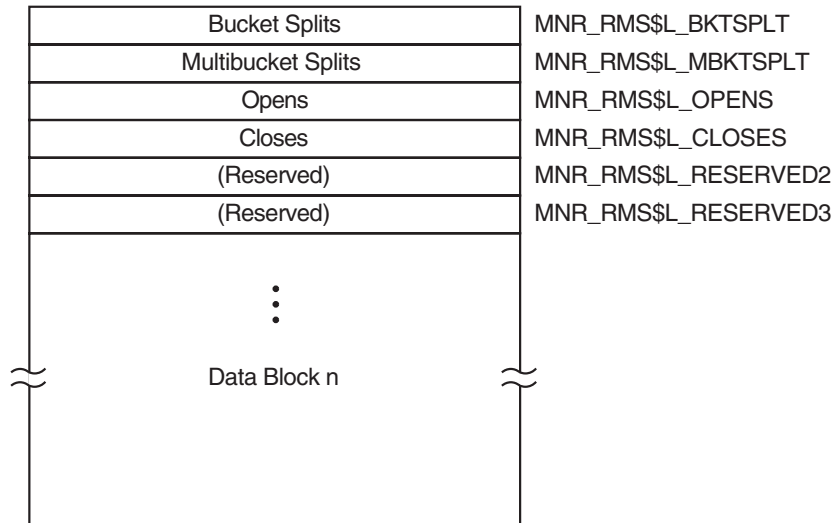
ZK-5916A-GE

(continued on next page)

Supplemental MONITOR Information—Record Formats

A.4 Class Records

Figure A–21 (Cont.) RMS Class Record Format



ZK-5917A-GE

The following table describes the fields in the data block for the RMS class record:

Field	Symbolic Offset	Contents
File Number (Num)	MNR_RMS\$B_FILNUM	Sequential number of the file (byte,I)
File Organization	MNR_RMS\$L_ORG	Organization of the file (longword,I)
Reserved	MNR_RMS\$L_RESERVED1	Reserved (longword)
Sequential GETs	MNR_RMS\$L_SEQGETS	Count of sequential \$GETs to the file (longword,C)
Key GETs	MNR_RMS\$L_KEYGETS	Count of keyed \$GETs to the file (longword,C)
RFA GETs	MNR_RMS\$L_RFAGETS	Count of \$GETs by record-file-address to the file (longword,C)
GET Bytes	MNR_RMS\$Q_GETBYTES	Total number of bytes required for all \$GETs issued (quadword,C)
Sequential PUTs	MNR_RMS\$L_SEQPUTS	Count of sequential \$PUTs to the file (longword,C)
Key PUTs	MNR_RMS\$L_KEYPUTS	Count of keyed \$PUTs to the file (longword,C)
PUT Bytes	MNR_RMS\$Q_PUTBYTES	Total number of bytes required for all \$PUTs issued (quadword,C)
UPDATEs	MNR_RMS\$L_UPDATES	Count of \$UPDATEs to the file (longword,C)
UPDATE Bytes	MNR_RMS\$Q_UPDATEBYTES	Total number of bytes required for all \$UPDATEs issued (quadword,C)
DELETEs	MNR_RMS\$L_DELETEs	Count of \$DELETEs to the file (longword,C)

Supplemental MONITOR Information—Record Formats A.4 Class Records

Field	Symbolic Offset	Contents
TRUNCATEs	MNR_RMS\$L_TRUNCATES	Count of \$TRUNCATEs to the file (longword,C)
TRUNCATE Blocks	MNR_RMS\$L_TRUNCBLKS	Total blocks required for all \$TRUNCATEs issued (longword,C)
Sequential FINDs	MNR_RMS\$L_SEQFINDS	Count of sequential \$FINDs to the file (longword,C)
Key FINDs	MNR_RMS\$L_KEYFINDS	Count of keyed \$FINDs to the file (longword,C)
RFA FINDs	MNR_RMS\$L_RFAFINDS	Count of \$FINDs by record-file-address to the file (longword,C)
READs	MNR_RMS\$L_READS	Count of \$READs to the file (longword,C)
READ Bytes	MNR_RMS\$Q_READBYTES	Total bytes required for all \$READs to the file (quadword,C)
CONNECTs	MNR_RMS\$L_CONNECTS	Count of \$CONNECTs to the file (longword,C)
DISCONNECTs	MNR_RMS\$L_DISCONNECTS	Count of \$DISCONNECTs to the file (longword,C)
EXTENDs	MNR_RMS\$L_EXTENDS	Count of \$EXTENDs to the file (longword,C)
EXTEND Blocks	MNR_RMS\$L_EXTBLOCKS	Total blocks required for all \$EXTENDs to the file (longword,C)
FLUSHes	MNR_RMS\$L_FLUSHES	Count of \$FLUSHes to the file (longword,C)
REWINDs	MNR_RMS\$L_REWINDS	Count of \$REWINDs to the file (longword,C)
WRITES	MNR_RMS\$L_WRITES	Count of \$WRITES to the file (longword,C)
WRITE Bytes	MNR_RMS\$Q_WRITEBYTES	Total bytes required for all \$WRITEs issued (quadword,C)
File Lock ENQs	MNR_RMS\$L_FLCKENQS	Count of file lock ENQs to the file (longword,C)
File Lock DEQs	MNR_RMS\$L_FLCKDEQS	Count of file lock DEQs to the file (longword,C)
File Lock Conversions	MNR_RMS\$L_FLCKCNVS	Count of file lock conversions for the file (longword,C)
Local Buffer ENQs	MNR_RMS\$L_LBLCKENQS	Count of local buffer ENQs to the file (longword,C)
Local Buffer DEQs	MNR_RMS\$L_LBLCKDEQS	Count of local buffer DEQs to the file (longword,C)
Local Buffer Conversions	MNR_RMS\$L_LBLCKCNVS	Count of local buffer conversions for the file (longword,C)
Global Buffer ENQs	MNR_RMS\$L_GBLCKENQS	Count of global buffer ENQs to the file (longword,C)
Global Buffer DEQs	MNR_RMS\$L_GBLCKDEQS	Count of global buffer DEQs to the file (longword,C)
Global Buffer Conversions	MNR_RMS\$L_GBLCKCNVS	Count of global buffer conversions for the file (longword,C)

Supplemental MONITOR Information—Record Formats

A.4 Class Records

Field	Symbolic Offset	Contents
Global Section ENQs	MNR_RMS\$L_GSLCKENQS	Count of global section ENQs to the file (longword,C)
Global Section DEQs	MNR_RMS\$L_GSLCKDEQS	Count of global section DEQs to the file (longword,C)
Global Section Conversions	MNR_RMS\$L_GSLCKCNVS	Count of global section conversions for the file (longword,C)
Record Lock ENQs	MNR_RMS\$L_RLCKENQS	Count of record lock ENQs to the file (longword,C)
Record Lock DEQs	MNR_RMS\$L_RLCKDEQS	Count of record lock DEQs to the file (longword,C)
Record Lock Conversions	MNR_RMS\$L_RLCKCNVS	Count of record lock conversions for the file (longword,C)
Append Lock ENQs	MNR_RMS\$L_APPLCKENQS	Count of append lock ENQs to the file (longword,C)
Append Lock DEQs	MNR_RMS\$L_APPLCKDEQS	Count of append lock DEQs to the file (longword,C)
Append Lock Conversions	MNR_RMS\$L_APPLCKCNVS	Count of append lock conversions for the file (longword,C)
File Lock Blocking ASTs	MNR_RMS\$L_FLBLKASTS	Count of file lock blocking ASTs for the file (longword,C)
Local Buffer Blocking ASTs	MNR_RMS\$L_LBLBLKASTS	Count of local buffer blocking ASTs for the file (longword,C)
Global Buffer Blocking ASTs	MNR_RMS\$L_GBLBLKASTS	Count of global buffer blocking ASTs for the file (longword,C)
Append Lock Blocking ASTs	MNR_RMS\$L_APPBLKASTS	Count of append lock blocking ASTs for the file (longword,C)
Local Cache Hits	MNR_RMS\$L_LCACHEHITS	Count of local cache hits for the file (longword,C)
Local Cache Attempts	MNR_RMS\$L_LCACHEATT	Count of local cache attempts for the file (longword,C)
Global Cache Hits	MNR_RMS\$L_GCACHEHITS	Count of global cache hits for the file (longword,C)
Global Cache Attempts	MNR_RMS\$L_GCACHEATT	Count of global cache attempts for the file (longword,C)
Global Buffer Read I/Os	MNR_RMS\$L_GBRDIRIOS	Count of global buffer read I/Os for the file (longword,C)
Global Buffer Write I/Os	MNR_RMS\$L_GBWDIRIOS	Count of global buffer write I/Os for the file (longword,C)
Local Buffer Read I/Os	MNR_RMS\$L_LBRDIRIOS	Count of local buffer read I/Os for the file (longword,C)
Local Buffer Write I/Os	MNR_RMS\$L_LBWDIRIOS	Count of local buffer write I/Os for the file (longword,C)
Bucket Splits	MNR_RMS\$L_BKTSPLT	Count of bucket splits for the file (longword,C)

Supplemental MONITOR Information—Record Formats A.4 Class Records

Field	Symbolic Offset	Contents
Multibucket Splits	MNR_RMS\$L_MBKTSPLT	Count of multibucket splits for the file (longword,C)
Opens	MNR_RMS\$L_OPENS	Count of the times the file was opened (longword,C)
Closes	MNR_RMS\$L_CLOSES	Count of the times the file was closed (longword,C)
Reserved	MNR_RMS\$L_RESERVED2	Reserved (longword)
Reserved	MNR_RMS\$L_RESERVED3	Reserved (longword)

A.4.2.15 SCS Class Record

The SCS class record contains data describing SCS (System Communications Services) activity for all SCS connections in the system, on a per-node basis. The SCS class record has a record type of 15; its size depends on the number of nodes being monitored. The size, in bytes, is calculated by adding the size of the class header, the class prefix, and the data blocks contained in the record. This is shown in the following formula:

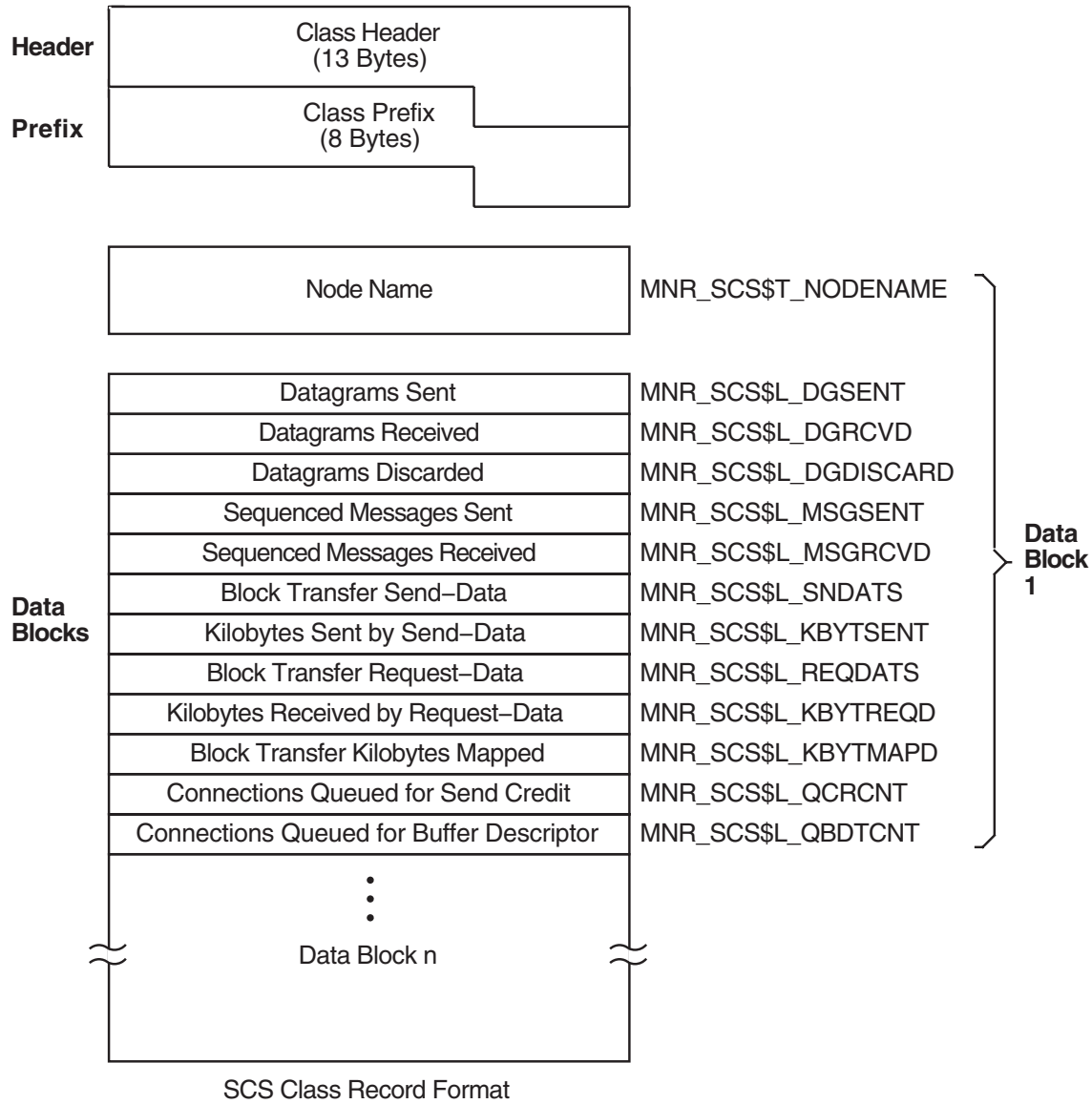
$$13 + 8 + (56 * \text{the value of MNR_CMP\$L_ELTCT})$$

Figure A-22 illustrates the format of the SCS class record.

Supplemental MONITOR Information—Record Formats

A.4 Class Records

Figure A-22 SCS Class Record Format



ZK-1670-GE

Supplemental MONITOR Information—Record Formats A.4 Class Records

The following table describes the fields in the data block for the SCS class record:

Field	Symbolic Offset	Contents
Node Name	MNR_SCS\$T_NODENAME	Name of remote cluster node (counted ASCII string) (8 bytes,I)
Datagrams Sent	MNR_SCS\$L_DGSENT	Count of datagrams sent to the remote node (longword,C)
Datagrams Received	MNR_SCS\$L_DGRCVD	Count of datagrams received from the remote node (longword,C)
Datagrams Discarded	MNR_SCS\$L_DGDISCARD	Count of datagrams discarded by the CI port driver (longword,C)
Sequenced Messages Sent	MNR_SCS\$L_MSGSENT	Count of sequenced messages sent to the remote node (longword,C)
Sequenced Messages Received	MNR_SCS\$L_MSGRCVD	Count of sequenced messages received from the remote node (longword,C)
Block Transfer Send-data commands	MNR_SCS\$L_SNDATS	Count of block transfer send-data commands initiated on the local node, targeted for the remote node (longword,C)
Kilobytes Sent by Send-data commands	MNR_SCS\$L_KBYTSENT	Count of kilobytes sent as a result of send-data commands (longword,C)
Block Transfer Request- data commands	MNR_SCS\$L_REQDATS	Count of block transfer request-data commands initiated on the local node, targeted for the remote node (longword,C)
Kilobytes Received by Request-data commands	MNR_SCS\$L_KBYTREQD	Count of kilobytes received as a result of request-data commands (longword,C)
Block Transfer Kilobytes Mapped	MNR_SCS\$L_KBYTMAPD	Count of kilobytes mapped for block transfers (longword,C)
Connections Queued For Send Credit	MNR_SCS\$L_QCRCNT	Count of times connections are queued for send credits (longword,C)
Connections Queued For Buffer Descriptor	MNR_SCS\$L_QBDTCNT	Count of times connections are queued for buffer descriptors (longword,C)

A.4.2.16 STATES Class Record

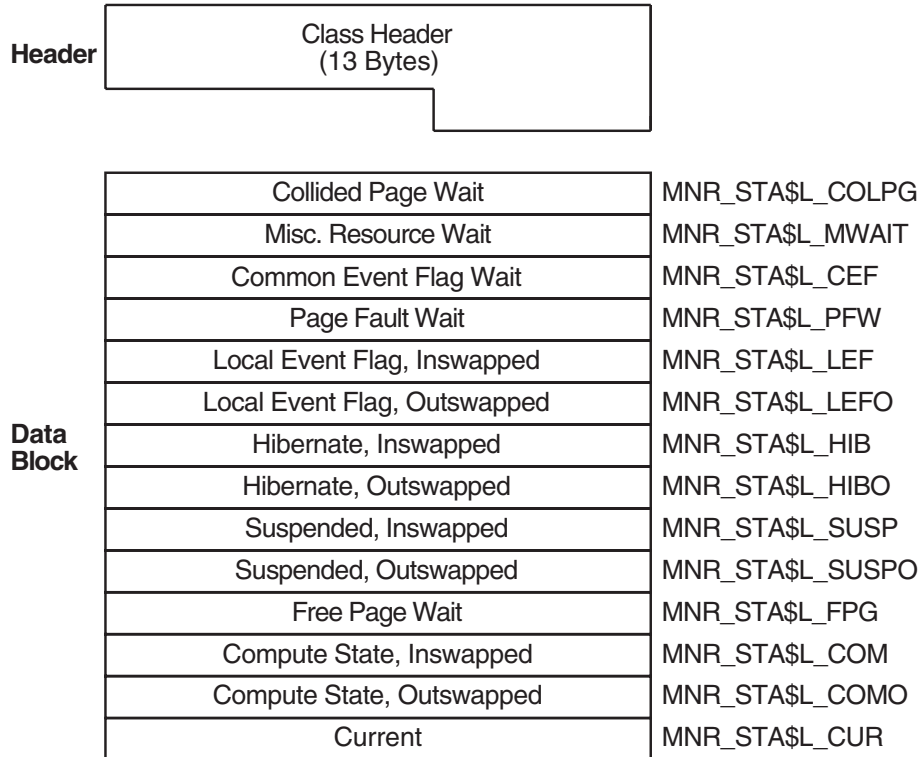
The STATES class record contains data describing the number of processes in each of the scheduler states. The STATES class record has a record type of 1 and a size of 69 bytes.

Figure A-23 illustrates the format of the STATES class record.

Supplemental MONITOR Information—Record Formats

A.4 Class Records

Figure A-23 STATES Class Record Format



ZK-0972-GE

The following table describes the fields in the data block for the STATES class record:

Field	Symbolic Offset	Contents
Collided Page Wait	MNR_STA\$L_COLPG	Number of processes in collided page wait (longword,L)
Misc Resource Wait	MNR_STA\$L_MWAIT	Number of processes in miscellaneous resource wait (longword,L)
Common Event Flag Wait	MNR_STA\$L_CEF	Number of processes in common event flag wait (longword,L)
Page Fault Wait	MNR_STA\$L_PFW	Number of processes in page fault wait (longword,L)
Local Event Flag, Inswapped	MNR_STA\$L_LEF	Number of processes in local event flag wait, inswapped (longword,L)
Local Event Flag, Outswapped	MNR_STA\$L_LEFO	Number of processes in local event flag wait, outswapped (longword,L)
Hibernate, Inswapped	MNR_STA\$L_HIB	Number of processes in hibernate wait, inswapped (longword,L)
Hibernate, Outswapped	MNR_STA\$L_HIBO	Number of processes in hibernate wait, outswapped (longword,L)
Suspended, Inswapped	MNR_STA\$L_SUSP	Number of processes in suspended wait, inswapped (longword,L)

Supplemental MONITOR Information—Record Formats A.4 Class Records

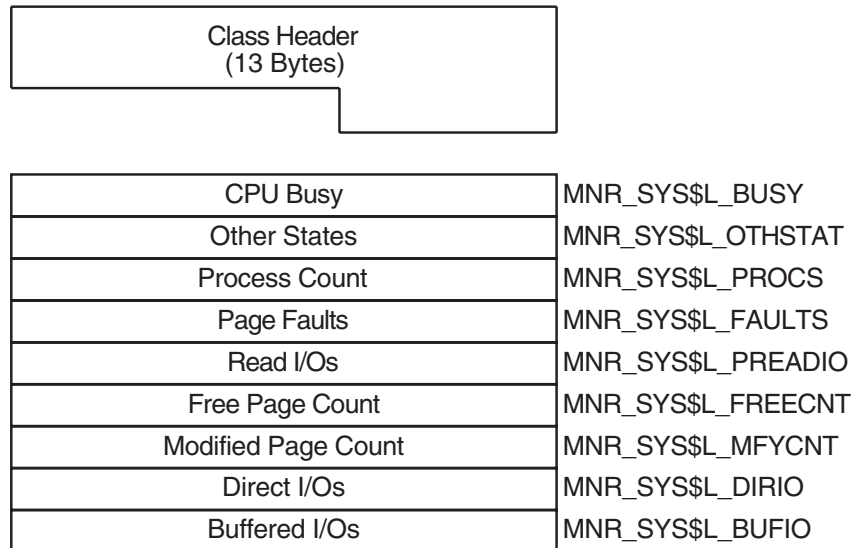
Field	Symbolic Offset	Contents
Suspended, Outswapped	MNR_STA\$L_SUSPO	Number of processes in suspended wait, outswapped (longword,L)
Free Page Wait	MNR_STA\$L_FPG	Number of processes in free wait (longword,L)
Compute State, Inswapped	MNR_STA\$L_COM	Number of processes in compute state, inswapped (longword,L)
Compute State, Outswapped	MNR_STA\$L_COMO	Number of processes in compute state, outswapped (longword,L)
Current	MNR_STA\$L_CUR	Number of current processes (longword,L)

A.4.2.17 SYSTEM Class Record

The SYSTEM class record contains data describing the overall operation of the three major system components (CPU, memory, I/O). The SYSTEM class record has a record type of 17 and a size of 49 bytes. Note that when the SYSTEM class is recorded, the PROCESSES, STATES, and MODES classes are also recorded, even if not explicitly requested.

Figure A–24 illustrates the format of the SYSTEM class record.

Figure A–24 SYSTEM Class Record Format



ZK-1986-GE

The following table describes the fields in the data block for the SYSTEM class record:

Supplemental MONITOR Information—Record Formats

A.4 Class Records

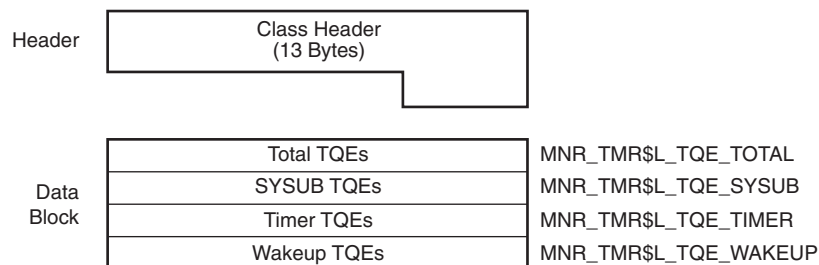
Field	Symbolic Offset	Contents
CPU Busy	MNR_SYS\$L_BUSY	Count of clock ticks (10-millisecond units) spent in all CPU modes since system was booted (longword,C)
Other States	MNR_SYS\$L_OTHSTAT	Number of processes in states other than LEF, LEFO, HIB, HIBO, COM, COMO, PFW, and MWAIT (longword,L)
Process Count	MNR_SYS\$L_PROCS	Number of processes in system (longword,L)
Page Faults	MNR_SYS\$L_FAULTS	Count of page faults for all working sets (longword,C)
Read I/Os	MNR_SYS\$L_PREADIO	Count of read I/Os resulting from disk page faults (longword,C)
Free Page Count	MNR_SYS\$L_FREECNT	Number of pages currently on free-page list (longword,L)
Modified Page Count	MNR_SYS\$L_MFYCNT	Number of pages currently on modified-page list (longword,L)
Direct I/Os	MNR_SYS\$L_DIRIO	Count of direct I/O operations (longword,C)
Buffered I/Os	MNR_SYS\$L_BUFIO	Count of buffered I/O operations (longword,C)

A.4.2.18 TIMER Class Record

The TIMER class record contains data that is useful to the OpenVMS executive when monitoring timer queue entries (TQEs). The TIMER class record has a record type of 26 and a size of 29 bytes.

Figure A–25 illustrates the format of the TIMER class record.

Figure A–25 TIMER Class Record Format



VM-0774A-AI

The following table describes the contents of each of the TIMER class record fields:

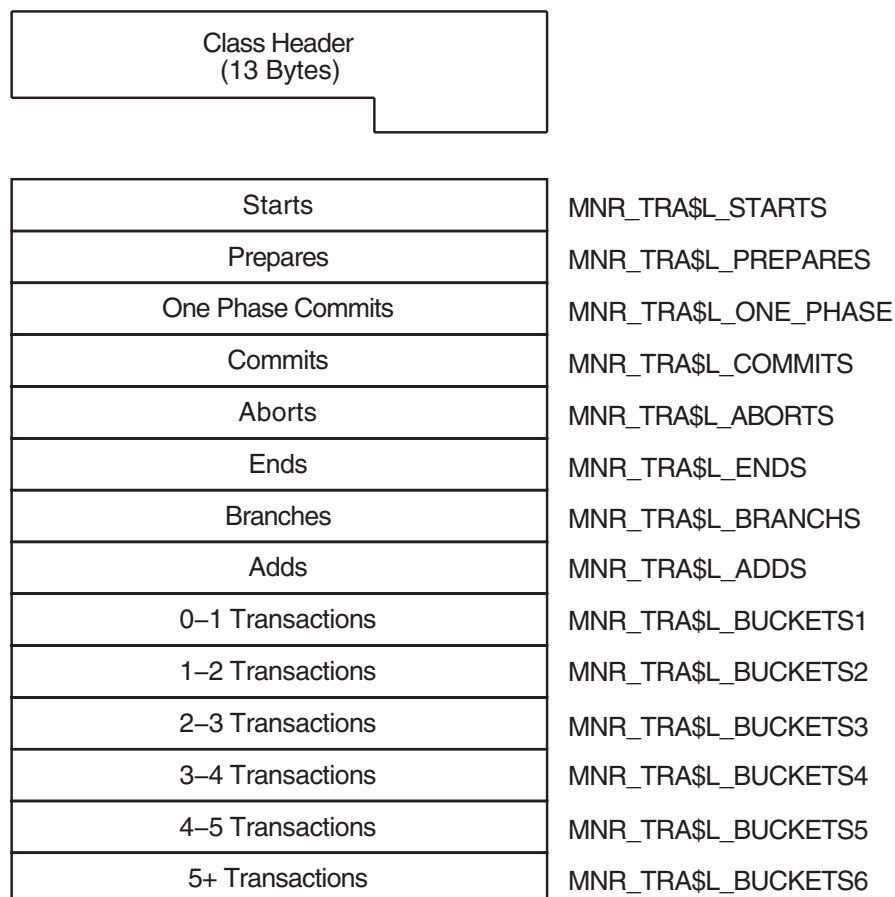
Supplemental MONITOR Information—Record Formats A.4 Class Records

Field	Symbolic Offset	Contents
Total TQEs	MNR_TMR\$L_TQE_TOTAL	Count of all TQEs processed per second.
SYSUB TQEs	MNR_TMR\$L_TQE_SYSUB	Count of SYSUB TQEs processed per second.
Timer TQEs	MNR_TMR\$L_TQE_TIMER	Count of timer requests made by users per second.
Wakeup TQEs	MNR_TMR\$L_TQE_WAKEUP	Count of wakeup timer requests made by users per second.

A.4.2.19 TRANSACTION Class Record

The TRANSACTION class record contains data describing the operations of the DECdtm transaction manager. The TRANSACTION class has a record type of 22 and a size of 69 bytes. Figure A–26 illustrates the format of the TRANSACTION class record.

Figure A–26 TRANSACTION Class Record Format



ZK–2023A–GE

Supplemental MONITOR Information—Record Formats

A.4 Class Records

The following table describes the contents of each of the TRANSACTION class record fields:

Field	Symbolic Offset	Contents
Starts	MNR_TRA\$L_STARTS	Count of transactions started. The number of times that calls on the local node to \$START_TRANS have completed successfully (longword, C).
Prepares	MNR_TRA\$L_PREPARES	Count of transactions that have been prepared (longword, C).
One Phase Commits	MNR_TRA\$L_ONE_PHASE	Count of one-phase commit events initiated (longword, C).
Commits	MNR_TRA\$L_COMMITS	Count of transactions committed. This is the combined total of one-phase and two-phase commits (longword, C).
Aborts	MNR_TRA\$L_ABORTS	Count of transactions aborted. Combined total of planned and unplanned aborts (longword, C).
Ends	MNR_TRA\$L_ENDS	Count of transactions ended. The number of times that calls on the local node to \$END_TRANS have completed successfully (longword, C).
Branches	MNR_TRA\$L_BRANCHS	Count of transaction branches started on the local node (longword, C).
Adds	MNR_TRA\$L_ADDS	Count of transaction branches added on the local node (longword, C).
0-1 Transactions	MNR_TRA\$L_BUCKETS1	Count of transactions with a duration of less than 1 second (longword, C).
1-2 Transactions	MNR_TRA\$L_BUCKETS2	Count of transactions with a duration of 1 to 2 (1.99) seconds (longword, C).
2-3 Transactions	MNR_TRA\$L_BUCKETS3	Count of transactions with a duration of 2 to 3 seconds (longword, C).
3-4 Transactions	MNR_TRA\$L_BUCKETS4	Count of transactions with a duration of 3 to 4 seconds (longword, C).
4-5 Transactions	MNR_TRA\$L_BUCKETS5	Count of transactions with a duration of 4 to 5 seconds (longword, C).
5+ Transactions	MNR_TRA\$L_BUCKETS6	Count of transactions with a duration greater than 5 seconds (longword, C).

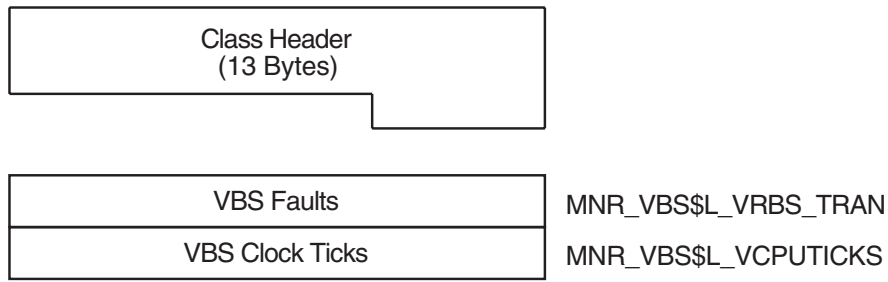
Supplemental MONITOR Information—Record Formats A.4 Class Records

A.4.2.20 VBS Class Record (VAX Only)

On VAX systems, the VBS class record contains statistics on the operation of the virtual balance slot (VBS) mechanism. The VBS class record has a record type of 24 and a size of 21 bytes.

Figure A-27 illustrates the format of a VBS class record.

Figure A-27 VBS Class Record Format (VAX Only)



ZK-5502A-GE

The following table describes the fields in the data block for the VBS class record:

Field	Symbolic Offset	Contents
VBS Faults	<code>MNR_VBS\$L_VRBS_TRAN</code>	Count of faults from virtual balance slots to real balance slots (longword, C)
VBS Clock Ticks	<code>MNR_VBS\$L_VCPUTICKS</code>	Count of virtual balance slot clock ticks (10-millisecond units) (longword, C)

Supplemental MONITOR Information—Record Formats

A.4 Class Records

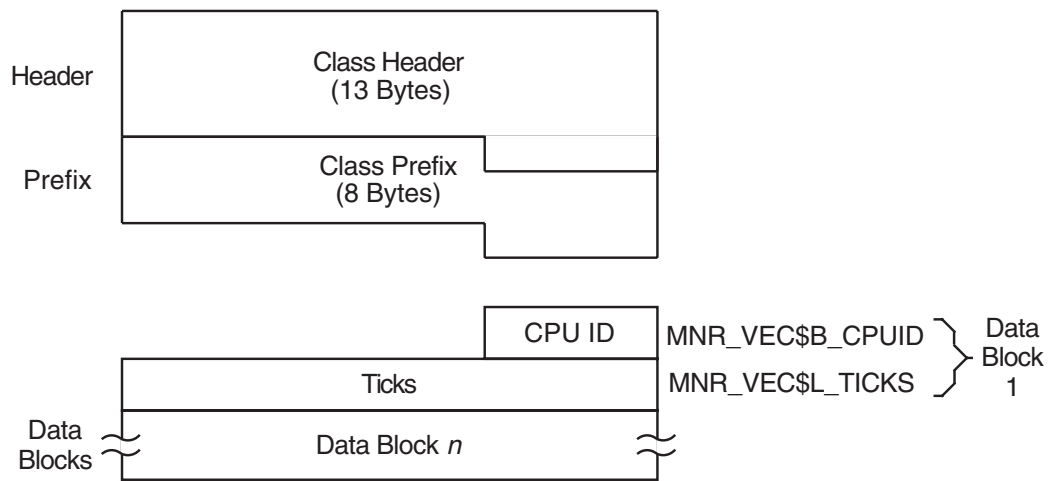
A.4.2.21 VECTOR Class Record

The VECTOR class record contains data describing the time during which vector consumers have been scheduled on a vector-present processor. Its record type number is 23. A VECTOR class record is of variable length and depends on the number of active processors in the system. Assuming all processors are active, MONITOR calculates the size of the record by adding the size of the class header, the class prefix, and the data blocks contained in the record. This is shown in the following formula:

$$13 + 8 + (5 * \text{MNR_SYI\$B_VPCPUS})$$

Figure A–28 illustrates the format of the VECTOR class record.

Figure A–28 VECTOR Class Record Format



ZK-1942A-GE

The following table describes the contents of each of the VECTOR class record fields:

Field	Symbolic Offset	Contents
CPU ID	MNR_VEC\$B_CPUID	Identification of the processor from which the data has been collected (byte, I)
Ticks	MNR_VEC\$L_TICKS	Number of 10-millisecond clock ticks in which a vector consumer has been scheduled on this processor (longword, C)

To support the VECTOR class, MONITOR uses the items MNR_SYI\$B_VPCPUS and MNR_SYI\$L_VPCONF in the system information record. See the table in Section A.3.2 for details on these items.

SHOW CLUSTER Keypad Commands

SHOW CLUSTER provides a predefined keypad that you can use to enter selected commands. You can add, remove, or reposition windows, scroll their contents, or change the interval at which the display is updated. You can also customize the keypad by redefining the default functions of individual keys.

B.1 Using the Keypad

By default, the numeric keypad is defined as shown in Figure B-1.

Figure B-1 SHOW CLUSTER Default Keypad

PF1 GOLD 20	PF2 HELP 10	PF3 REFRESH 11	PF4 INIT 17
7 SET FUNCTION PAN 7	8 SET FUNCTION SCROLL 8	9 SET FUNCTION MOVE 9	- SET FUNCTION EDIT 18
4 ADD 4	5 REMOVE 5	6 SET AUTO_POS OFF SET AUTO_POS ON 6	, 19
1 SET 1	2 SAVE 2	3 WRITE 3	
0 0	.SELECT DESELECT 16		21

ZK-4997-GE

Shading over a keypad command indicates that you must press the GOLD key and then the keypad key.

SHOW CLUSTER Keypad Commands

B.1 Using the Keypad

The following table describes each keypad command you can use with the Show Cluster utility. In this table, KP n refers to the keypad key labeled with the number n . For example, KP2 refers to the keypad key labeled with the number 2. All commands shown on the keypad are also discussed in the Command Section of Chapter 5.

Command	Key or Key Sequence	Description
ADD	KP4	Modifies the current display by including the field or class that you specify after the ADD command.
DESELECT	GOLD-Period	Terminates a window selection.
GOLD	PF1	When pressed before another keypad key, specifies the second key's alternate function (the bottom function on the keypad diagram).
HELP	PF2	Displays information about using the editing keypad.
INIT	PF4	Resets the display using the original default values for field names, class names, and field widths.
REFRESH	PF3	Refreshes the screen display. Clears and redraws the screen, deleting any extraneous characters or messages that might have appeared on the screen but are not part of the SHOW CLUSTER display. (Performs the same function as Ctrl/W.)
REMOVE	KP5	Modifies the current display by removing the field or class that you specify after the REMOVE command.
SAVE	KP2	Allows you to save the current display to a startup initialization file or a command procedure that you can then use to restore the display at a later time.
SELECT	Period	Designates which window to scroll or move.
SET	KP1	Changes any of several options including the number of columns in the display, the number of seconds between updates, the functions of the arrow keys, the auto positioning of windows, and the characteristics of a particular field.
SET AUTO_POS OFF	KP6	Disables the automatic positioning of windows on the screen.
SET AUTO_POS ON	GOLD-KP6	Enables the Show Cluster utility to automatically position windows on the screen. This is the default setting.
SET FUNCTION EDIT	Hyphen	Redefines the arrow keys to restore line-mode editing.
SET FUNCTION MOVE	KP9	Redefines the arrow keys to move a selected window to a specified position on the display screen. For example, the UP, DOWN, RIGHT, and LEFT arrow keys are redefined as MOVE UP 1, MOVE DOWN 1, MOVE RIGHT 1, and MOVE LEFT 1, respectively.
SET FUNCTION PAN	KP7	Redefines the arrow keys to rotate the display. For example, the UP, DOWN, RIGHT, and LEFT arrow keys are redefined as PAN UP 1, PAN DOWN 1, PAN RIGHT 1, and PAN LEFT 1, respectively.

SHOW CLUSTER Keypad Commands

B.1 Using the Keypad

Command	Key or Key Sequence	Description
SET FUNCTION SCROLL	KP8	Resets the arrow keys to scroll the screen display. For example, if you press the SET FUNCTION SCROLL key, the UP, DOWN, RIGHT, and LEFT arrow keys are redefined as SCROLL UP 1, SCROLL DOWN 1, SCROLL RIGHT 1, and SCROLL LEFT 1, respectively.
WRITE	KP3	Outputs the current display to either a file name that you specify, or to the default output file name SHOW_CLUSTER.LIS.

B.2 Redefining the Keypad Keys

Use the DEFINE/KEY command to change the definition of a key. See the DEFINE/KEY command in the Command Section of Chapter 5 for more information.

B.3 Redefining the Arrow Keys

By default, the SHOW CLUSTER arrow keys are set to the EDIT function. This means that you can perform command line editing at the command prompt that is similar to DCL line-mode editing. For example, the left arrow key moves the cursor to the left, or the up arrow key recalls the previous command. See the *OpenVMS User's Manual* for information about DCL line-mode editing.

The SET FUNCTION keys, shown in the second row of the keypad, redefine the arrow keys to perform a specified function. You can reset the arrow keys from EDIT to PAN, SCROLL, or MOVE with the SET FUNCTION command. For example, if you press the SET FUNCTION SCROLL key, the up, down, right, and left arrow keys are redefined as SCROLL UP 1, SCROLL DOWN 1, SCROLL RIGHT 1, and SCROLL LEFT 1, respectively. (See the Command Section of Chapter 5 for information about specific commands.)

Note

If you set the function to PAN, SCROLL, or MOVE, the arrow keys are no longer defined to perform DCL line-mode editing. Only one function can be enabled at a time. To restore line-mode editing once it has been changed to another function, enter the command SET FUNCTION EDIT.

System Parameters

This appendix describes OpenVMS system parameters.

Note

HP recommends that you use AUTOGEN to modify system parameters. In special cases, however, you can use a conversational boot to modify a parameter value temporarily. To change a parameter value permanently, you must edit MODPARAMS.DAT and run AUTOGEN. For instructions, see the *HP OpenVMS System Manager's Manual*.

C.1 How the Parameters Are Described

System parameters can be grouped into categories, as shown in Section C.1.1. Also, each parameter can have one or more attributes, listed in Section C.1.1. Each parameter also has a value.

The parameters in this appendix are listed alphabetically along with their attributes.

C.1.1 Parameter Categories and Attributes

The system parameters can be divided into the following categories (see also Table C-1):

Category	Description
ACP	Parameters associated with file system caches and Files-11 ancillary control processes (ACPs).
CLUSTER	Parameters that affect OpenVMS Cluster operation.
JOB	Job control parameters.
LGI	Login security parameters.
PQL	Parameters associated with process creation limits and quotas.
RMS	Parameters associated with OpenVMS Record Management Services (RMS).
SCS	Parameters that control System Communications Services (SCS) and port driver operation. The parameters that affect SCS operation have the prefix SCS. The parameters that affect the CI780/CI750 port driver have the prefix PA.
SPECIAL	Special parameters used by HP. These parameters should only be changed if recommended by HP personnel, or if they are clearly stated to change in the installation guide or release notes of an HP-supplied layered product.
SYS	Parameters that affect overall system operation.

System Parameters

C.1 How the Parameters Are Described

Category	Description
TTY	Parameters associated with terminal behavior.

The user can also define four parameters: USERD1, USERD2, USER3, and USER4. USERD1 and USERD2 are dynamic.

Attributes for Parameters

Parameters can have one or more of the following attributes:

Attribute	Description
AUTOGEN	AUTOGEN calculates and modifies values.
DYNAMIC	Active values can be modified.
FEEDBACK	FEEDBACK information available for AUTOGEN calculations.
GEN	Affects the creation and initialization of data structures at bootstrap time.
MAJOR	Most likely to require modification.

These attributes are noted in the detailed parameter descriptions in Section C.2.

Table C–1 lists system parameters according to category. Footnotes indicate dynamic and system-specific parameters.

Table C–1 System Parameters

ACP Parameters

ACP_BASEPRIO ¹	ACP_DATACHECK ¹	ACP_DINDXCACHE ¹
ACP_DIRCACHE ¹	ACP_EXTCACHE ¹	ACP_EXTLIMIT ¹
ACP_FIDCACHE ¹	ACP_HDRCACHE ¹	ACP_MAPCACHE ¹
ACP_MAXREAD ¹	ACP_MULTIPLE ¹	ACP_QUOCACHE ¹
ACP_REBLDSYSD	ACP_SHARE ¹	ACP_SWAPFLGS ¹
ACP_SYSACC ¹	ACP_WINDOW ¹	ACP_WORKSET ¹
ACP_WRITEBACK ¹	ACP_XQP_RES ¹	

CLUSTER Parameters

ALLOCLASS	†CHECK_CLUSTER	CLUSTER_CREDITS
CWCREPRC_ENABLE	DISK_QUORUM ¹	‡DR_UNIT_BASE
EXPECTED_VOTES	LOCKDIRWT	MPW_WRTCLUSTER
MSCP_BUFFER	MSCP_CMD_TMO	MSCP_CREDITS
MSCP_LOAD	MSCP_SERVE_ALL	NISCS_CONV_BOOT
NISCS_LOAD_PEA0	NISCS_MAX_PKTSZ	NISCS_PORT_SERV
QDSKINTERVAL	QDSKSVOTES	RECNXINTERVAL ¹
TAPE_ALLOCLASS	TMSCP_LOAD	TMSCP_SERVE_ALL
VAXCLUSTER	VOTES	

¹Dynamic parameter

†VAX specific

‡Alpha specific

(continued on next page)

System Parameters

C.1 How the Parameters Are Described

Table C–1 (Cont.) System Parameters

JOB Parameters		
DEFPRI ¹	DEFQUEPRI ¹	IJOBLIM ¹
MAXQUEPRI ¹	NJOBLIM ¹	RJOBLIM ¹
LGI Parameters		
LGI_BRK_DISUSER ¹	LGI_BRK_LIM ¹	LGI_BRK_TERM ¹
LGI_BRK_TMO ¹	LGI_CALLOUTS ¹	LGI_HID_TIM ¹
LGI_PWD_TMO ¹	LGI_RETRY_LIM ¹	LGI_RETRY_TMO ¹
MULTIPROCESSING Parameters		
‡IO_PREFER_CPUS	MULTIPROCESSING	SMP_CPUS
SMP_LNGSPINWAIT	SMP_SANITY_CNT	SMP_SPINWAIT
PQL Parameters		
PQL_DASTLM ¹	PQL_DBIOLM ¹	PQL_DBYTLM ¹
PQL_DCPULM ¹	PQL_DDIOLM ¹	PQL_DENQLM ¹
PQL_DFILLM ¹	PQL_DJTQUOTA	PQL_DPGFLQUOTA ¹
PQL_DPRCLM ¹	PQL_DTQELM ¹	PQL_DWSDEFAULT
PQL_DWSEXTENT ¹	PQL_DWSQUOTA ¹	PQL_MASTLM ¹
PQL_MBIOLM ¹	PQL_MBYTLM ¹	PQL_MCPULM ¹
PQL_MDIOLM ¹	PQL_MENQLM ¹	PQL_MFILLM ¹
PQL_MJTQUOTA ¹	PQL_MPGFLQUOTA ¹	PQL_MPRCLM ¹
PQL_MTQELM ¹	PQL_MWSDEFAULT	PQL_MWSEXTENT ¹
PQL_MWSQUOTA ¹		
RMS Parameters		
RMS_CONPOLICY	RMS_DFMBC ¹	RMS_DFMFBIDX ¹
RMS_DFMBFREL ¹	RMS_DFMBFSDK ¹	RMS_DFMBFSMT ¹
RMS_DFMBFSUR ¹	RMS_DFNBC ¹	RMS_EXTEND_SIZE ¹
RMS_FILEPROT	RMS_HEURISTIC	RMS_PROLOGUE ¹
‡RMS_SEQFILE_WBH ¹		
SCS Parameters		
PAMAXPORT ¹	PANOPOLL ¹	PANUMPOLL ¹
PAPOLLINTERVAL ¹	PAPOOLINTERVAL ¹	PASANITY ¹
PASTDGBUF	PASTIMOUT ¹	PRCPOLINTERVAL ¹
SCSBUFFCNT	SCSCONNCNT	SCSFLOWCUSH ¹

¹Dynamic parameter

‡Alpha specific

(continued on next page)

System Parameters

C.1 How the Parameters Are Described

Table C–1 (Cont.) System Parameters

SCS Parameters		
SCSMAXDG	SCSMAXMSG	SCSNODE
SCSRESPCNT	SCSSYSTEMID	SCSSYSTEMIDH
‡SMCI_FLAGS ¹	‡SMCI_PORTS	TIMVCFAIL ¹
UDABURSTRATE		
Special Parameters		
AFFINITY_SKIP	AFFINITY_TIME	BREAKPOINTS
CHANNELCNT	†CLOCK_INTERVAL	CONCEAL_DEVICES
CRD_CONTROL	CTLIMGLIM	CTLPAGES
DISABLE_UPCALLS ¹	†DLCKEXTRASTK	DNVOSI1
EXUSRSTK	‡FAST_PATH	‡FAST_PATH_PORTS
IMGIOCNT	IOTA	JOBCTLD
LOAD_SYS_IMAGES	LOCKRETRY	MAXCLASSPRI ¹
‡MC_SERVICES_P0-9	MINCLASSPRI ¹	MPW_PPIO
NOAUTOCONFIG ¹	NOCLUSTER	NOPGFLSWP
PAGTBLPFC	PE*	‡PFN_COLOR_COUNT
‡PHYSICAL_MEMORY	†PHYSICALPAGES	PIOPAGES ¹
PIXSCAN ¹	POOLCHECK ¹	POOLPAGING
PRIORITY_OFFSET	†PSEUDOLOA	PU_OPTIONS
†QBUS_MULT_INTR	RESALLOC	RSRVPAGCNT
S0_PAGING	SA_APP	†SBIERRENABLE
‡SCH_CTLFLAGS ¹	†SCSI_NOAUTO ¹	‡SCSICLUSTER_P[1-4]
SMP_CPUSH	SMP_TICK_CNT	SSINHIBIT
†SWPALLOCINC	SWPFAIL	SWPRATE
SWP_PPIO	SYSPFC	TBSKIPWSL
TIME_CONTROL ¹	TTY_DEFPORT	†VBN_CACHE_S
†VBSS_ENABLE	†VBSS_ENABLE2	‡VCC_FLAGS
‡VCC_MAXSIZE	†VCC_MINSIZE	†VCC_PTES
VMS	WPRE_SIZE ¹	WPTTE_SIZE ¹
WRITABLESYS	WRITESYSPARAMS ¹	XQPCTL2
XQPCTLD1		
SYS Parameters		
‡ARB_SUPPORT ¹	AUTO_DLIGHT_SAV	AWSMIN ¹
AWSTIME ¹	BALSETCNT	BORROWLIM ¹
BUGCHECKFATAL ¹	BUGREBOOT ¹	CLASS_PROT ¹

¹Dynamic parameter

†VAX specific

‡Alpha specific

(continued on next page)

System Parameters

C.1 How the Parameters Are Described

Table C–1 (Cont.) System Parameters

SYS Parameters		
CLISYMTBL ¹	‡CRDENABLE	‡DBGTK_SCRATCH
DCL_CTLFLAGS	DEADLOCK_WAIT ¹	DEFMBXBUFQUO ¹
DEFMBXMXMSG ¹	DELPRC_EXIT ¹	‡DEVICE_NAMING
DORMANTWAIT ¹	DUMPSBUG	DUMPSTYLE ¹
ERLBUFFERPAGES	ERRORLOGBUFFERS	EXTRACPU ¹
FREEGOAL ¹	FREELIM	‡GALAXY
GBLPAGES ¹	GBLPAGFIL ¹	GBLSECTIONS
‡GH_EXEC_CODE	‡GH_EXEC_DATA	‡GH_RES_CODE
‡GH_RES_DATA	GH_RSRVPGCNT	‡GLX_INST_TMO
GLX_SHM_REG	GROWLIM ¹	‡IMGREG_PAGES
†INTSTKPAGES ¹	‡KSTACKPAGES	†LAMAPREGS
‡LAN_FLAGS ¹	‡LCKMGR_CPUID	‡LCKMGR_MODE
LNMPHASHTBL	LNMSHASHTBL	LOAD_PWD_POLICY
LOCKIDTBL	LONGWAIT ¹	‡MAXBOBMEM ¹
MAXBUF ¹	MAXPROCESSCNT	MAXSYSGROUP ¹
MINWSCNT	MMG_CTLFLAGS ¹	‡MPDEV_AFB_INTVL
‡MPDEV_ENABLE	‡MPDEV_LCRETRIES	‡MPDEV_POLLER
‡MPDEV_REMOTE	MPW_HILIMIT	MPW_IOLIMIT
MPW_LOLIMIT	MPW_LOWAITLIMIT ¹	MULTITHREAD
‡MVSUPMSG_INTVL ¹	‡MVSUPMSG_NUM ¹	MVTIMEOUT ¹
NET_CALLOUTS ¹	NPAGEDYN	‡NPAGERAD
NPAGEVIR	‡NPAG_AGGRESSIVE ¹	‡NPAG_BAP_MIN
‡NPAG_BAP_MIN_PA	‡NPAG_GENTLE ¹	‡NPAG_INTERVAL ¹
‡NPAG_RING_SIZE	PAGEDYN	†PAGFILCNT
PFCDEFAULT ¹	PFRATH ¹	PFRATL ¹
POWEROFF ¹	PROCSECTCNT	QUANTUM ¹
‡RAD_SUPPORT	†REALTIME_SPTS ¹	RESHASHTBL
‡S2_SIZE	SAVEDUMP	SECURITY_POLICY
SETTIME	SHADOWING	SHADOW_MAX_COPY ¹
SHADOW_MAX_UNIT	SHADOW_MBR_TMO ¹	‡SHADOW_REC_DLY ¹
‡SHADOW_SITE_ID ¹	SHADOW_SYS_DISK	SHADOW_SYS_TMO
SHADOW_SYS_UNIT	SHADOW_SYS_WAIT	†SPTREQ
STARTUP_P1-8	†SWPFILCNT	SWPOUTPGCNT ¹
SYSTEMWCNT	SYSTEM_CHECK	TAILORED
TAPE_MVTIMEOUT ¹	TIMEPROMPTWAIT	UAFALTERNATE
USERD1 ¹	USERD2 ¹	USER3

¹Dynamic parameter

†VAX specific

‡Alpha specific

(continued on next page)

System Parameters

C.1 How the Parameters Are Described

Table C–1 (Cont.) System Parameters

SYS Parameters		
USER4	‡VCC_MAX_CACHE ¹	‡VCC_MAX_IO_SIZE ¹
‡VCC_MAX_LOCKS	‡VCC_READAHEAD ¹	‡VCC_WRITEBEHIND
†VECTOR_MARGIN ¹	†VECTOR_PROC	VIRTUALPAGECNT
WBM_MSG_INT ¹	WBM_MSG_LOWER ¹	WBM_MSG_UPPER ¹
WBM_OPCOM_LVL ¹	WINDOW_SYSTEM ¹	‡WLKSYSDSK
WSDEC ¹	WSINC ¹	WSMAX
†WS_OPA0	XFMAXRATE ¹	‡ZERO_LIST_HI ¹
TTY Parameters		
TTY_ALTALARM	TTY_ALTYPAHD	TTY_AUTOCHAR ¹
TTY_BUF	TTY_CLASSNAME	TTY_DEFCHAR
TTY_DEFCHAR2	TTY_DIALTYPE	TTY_DMASIZE ¹
TTY_PARITY	TTY_RSPEED	TTY_SCANDELTA
TTY_SILOTIME	TTY_SPEED	TTY_TIMEOUT ¹
TTY_TYPAHDSZ		
¹ Dynamic parameter †VAX specific ‡Alpha specific		

C.1.2 Values for Parameters

Each parameter has associated default, minimum, and maximum values that define the scope of allowable values. To determine these values, invoke `SYSGEN` and enter a `SHOW [parameter-name]` command (with appropriate qualifiers). For example, to display the values for `WSMAX`, specify `SHOW WSMAX`; to display the values for the `TTY` parameters, specify `SHOW/TTY`. You can also display parameters grouped by attributes. To display `DYNAMIC` parameters, for example, specify `SHOW/DYNAMIC`.

Default values for system parameters allow booting on any supported OpenVMS configuration. `SYSGEN` displays default values under the heading `default` when you enter the `SYSGEN` command `SHOW [parameter-name]` for one of the parameter categories or attributes. Reset the default parameter values with the `USE DEFAULT` command.

However, to avoid starting all layered products on a system that is not tuned for them, possibly causing the system to become nonoperational, set the `STARTUP_P1` system parameter to "MIN."

The computed, installed value referred to in this section is the value derived by the `AUTOGEN` command procedure. (See the *HP OpenVMS System Manager's Manual*.)

C.2 Parameter Descriptions

This section describes system parameters and provides guidelines to help you decide whether you should consider modifying the parameters. The following attributes are indicated for the parameters:

AUTOGEN—A
DYNAMIC—D
FEEDBACK—F
GEN—G
MAJOR—M

Note

In versions of the operating system before Version 4.0, a separate process, the ancillary control process (ACP), performed file operations such as file opens, closes, and window turns. Version 4.0 introduced the XQP (extended QIO procedure), which allows every process on the system to perform these operations. Consequently, many ACP parameters are applicable only when Files-11 On-Disk Structure Level 1 disks are mounted or when an ACP is specifically requested during a mount command. For compatibility reasons, the names of the parameters have not changed.

C.2.1 System Parameters

This section alphabetically lists and describes the system parameters in all categories.

Parameters

ACP_BASEPRIO (D)

ACP_BASEPRIO sets the base priority for all ACPs. The DCL command SET PROCESS/PRIORITY can be used to reset the base priorities of individual ACPs. ACP_BASEPRIO is not applicable for XQPs.

ACP_DATACHECK (D)

ACP_DATACHECK controls the consistency checks that are performed on internal file system metadata such as file headers.

ACP_DATACHECK is a bit mask. The following table shows the bits that are defined currently:

Bit	Description
0	Set this bit to perform consistency checks on read operations. When this bit is set, the IO\$M_DATACHECK function modifier is automatically set on all subsequent IO\$_READLBLK operations that read file system metadata (see the <i>HP OpenVMS I/O User's Reference Manual</i>).
1	Set this bit to perform consistency checks on write operations. When this bit is set, the IO\$M_DATACHECK function modifier is automatically set on all subsequent IO\$_WRITELBLK operations that read file system metadata (see the <i>HP OpenVMS I/O User's Reference Manual</i>).

System Parameters

C.2 Parameter Descriptions

Bit	Description																				
2	Set this bit to perform read-after-write consistency checks. This is similar to setting bit 1, except that in this case the file system does the checks, not the lower level device or disk driver. Note that read-after-write consistency checks are not allowed on deferred writes. Deferred writes are turned off if this bit is set.																				
3	Reserved for HP use only; must be zero.																				
4	Reserved for HP use only; must be zero.																				
5 and 6	These two bits control the checks that are performed on reads and writes of directory blocks. You can select one of four different levels:																				
	<table border="1"> <thead> <tr> <th>To Check That...</th> <th>Select This Level...</th> <th>By Setting Bit 6 to...</th> <th>And Bit 5 to...</th> </tr> </thead> <tbody> <tr> <td>The block is a valid directory block (reads only)</td> <td>0</td> <td>0</td> <td>0</td> </tr> <tr> <td>The block is a valid directory block (reads and writes)</td> <td>1</td> <td>0</td> <td>1</td> </tr> <tr> <td>The block is a valid directory block and contains valid entries (reads and writes)</td> <td>2</td> <td>1</td> <td>0</td> </tr> <tr> <td>The block is a valid directory block and contains valid entries in correct alphanumeric order (reads and writes)</td> <td>3</td> <td>1</td> <td>1</td> </tr> </tbody> </table>	To Check That...	Select This Level...	By Setting Bit 6 to...	And Bit 5 to...	The block is a valid directory block (reads only)	0	0	0	The block is a valid directory block (reads and writes)	1	0	1	The block is a valid directory block and contains valid entries (reads and writes)	2	1	0	The block is a valid directory block and contains valid entries in correct alphanumeric order (reads and writes)	3	1	1
To Check That...	Select This Level...	By Setting Bit 6 to...	And Bit 5 to...																		
The block is a valid directory block (reads only)	0	0	0																		
The block is a valid directory block (reads and writes)	1	0	1																		
The block is a valid directory block and contains valid entries (reads and writes)	2	1	0																		
The block is a valid directory block and contains valid entries in correct alphanumeric order (reads and writes)	3	1	1																		
	<p>When you set the <code>SYSTEM_CHECK</code> system parameter to 1, you enable level 3 checking of directory blocks.</p> <p>Write errors result in <code>BUGCHECK</code> and crash your system; read errors exit with error status <code>SS\$_BADDIRECTORY</code>.</p>																				
7	Reserved for HP use only; must be zero.																				

ACP_DINDXCACHE (A,D,F)

`ACP_DINDXCACHE` controls the size of the directory index cache and the number of buffers used on a cachewide basis. Also, `ACP_DINDXCACHE` builds a temporary index into the directory file, thereby reducing search time and directory header lookup operations.

ACP_DIRCACHE (A,D,F)

`ACP_DIRCACHE` sets the number of pages for caching directory blocks. Too small a value causes excessive XQP I/O operations, while too large a value causes excessive physical memory to be consumed by the directory data block cache.

ACP_EXTCACHE (D,F)

`ACP_EXTCACHE` sets the number of entries in the extent cache. Each entry points to one contiguous area of free space on disk. A specification of 0 means no cache. Too small a value causes excessive XQP I/O operations, while too large a value causes excessive physical memory to be consumed by the extent cache.

ACP_EXTLIMIT (D)

`ACP_EXTLIMIT` specifies the maximum amount of free space to which the extent cache can point, expressed in thousandths of the currently available free blocks on the disk. For example, if available free space on the disk is 20,000 blocks, a specification of 10 limits the extent cache to 200 blocks.

System Parameters

C.2 Parameter Descriptions

The computed, installed value is usually adequate. Users with four or more OpenVMS Cluster node systems might want to adjust this parameter.

ACP_FIDCACHE (D,F)

ACP_FIDCACHE sets the number of file identification slots cached. A specification of 1 means no cache. Too small a value causes excessive XQP I/O operations, while too large a value causes excessive physical memory to be consumed by the FID caches.

ACP_HDRCACHE (A,D,F)

ACP_HDRCACHE sets the number of pages for caching file header blocks. Too small a value causes excessive XQP I/O operations, while too large a value causes excessive physical memory to be consumed by the file header caches.

ACP_MAPCACHE (A,D,F)

ACP_MAPCACHE sets the number of pages for caching index file bitmap blocks. Too small a value causes excessive XQP I/O operations, while too large a value causes excessive physical memory to be consumed by the bitmap cache.

ACP_MAXREAD (D)

ACP_MAXREAD sets the maximum number of directory blocks read in one I/O operation.

ACP_MULTIPLE (A,D)

ACP_MULTIPLE enables (1) or disables (0) the default creation of a separate disk XQP cache for each volume mounted on a different device type. Prior to Version 4.0, a separate ACP process was created for each device type if this parameter was enabled. Because ACP operations are now handled by the per process XQP, such separate processes are no longer created. In general, having multiple caches is unnecessary. One large cache is more efficient than several small ones. ACP_MULTIPLE can be overridden on an individual-volume basis with the DCL command MOUNT.

ACP_QUOCACHE (A,D,F)

ACP_QUOCACHE sets the number of quota file entries cached. A specification of 0 means no cache. Too small a value causes excessive XQP I/O operations, while too large a value causes excessive physical memory to be consumed by the quota caches.

ACP_REBLDSYSD

ACP_REBLDSYSD specifies whether the system disk should be rebuilt if it was improperly dismounted with extent caching, file number caching, or disk quota caching enabled. The ACP_REBLDSYSD default value (1) ensures that the system disk is rebuilt. Setting the value to 0 means the disk is not rebuilt.

Depending on the amount of caching enabled on the volume before it was dismounted, the rebuild operation may consume a considerable amount of time. Setting the value of ACP_REBLDSYSD to 0 specifies that the disk should be returned to active service immediately. If you set ACP_REBLDSYSD to 0, you can enter the DCL command SET VOLUME/REBUILD at any time to rebuild the disk.

ACP_SHARE (D)

ACP_SHARE enables (0) or disables (1) the creation of a global section for the first ACP used, enabling succeeding ACPs to share its code. This parameter should be set to 0 when ACP_MULTIPLE is on.

System Parameters

C.2 Parameter Descriptions

ACP_SWAPFLGS (A,D)

ACP_SWAPFLGS enables or disables swap through the value of a 4-bit number for the following four classes of ACPs:

Bit	Class of ACP
0	Disks mounted by MOUNT/SYSTEM
1	Disks mounted by MOUNT/GROUP
2	Private disks
3	Magnetic tape ACP

If the value of the bit is 1, the corresponding class of ACPs can be swapped. The value of decimal 15 (hexadecimal F—all bits on) enables swap for all classes of ACP. A value of decimal 14 disables swap for ACPs for volumes mounted with the /SYSTEM qualifier but leaves swap enabled for all other ACPs. Note that one has only disk ACPs present if they are specifically requested at mount time or if a Files-11 On-Disk Structure Level 1 disk is mounted. In general, only bit 3 is significant because usually no file ACPs exist.

ACP_SYSACC (A,D)

ACP_SYSACC sets the number of directory file control blocks (FCBs) that are cached for disks mounted with the /SYSTEM qualifier. Each directory FCB contains a 16-byte array containing the first letter of the last entry in each block of the directory (or group of blocks if the directory exceeds 16 blocks). Since entries in a directory are alphabetical, the cached FCB provides quick access to a required directory block. This parameter value should be roughly equivalent to the number of directories that are in use concurrently on each system volume. It might be overridden on a per-volume basis with the /ACCESSED qualifier to the DCL command MOUNT. The value should be kept low in systems with small physical memory and little file activity, because the FCBs require a significant amount of space in the nonpaged dynamic pool.

Too small a value causes excessive XQP I/O operations, while too large a value causes excessive physical memory to be consumed by the FCB caches.

ACP_WINDOW (D)

ACP_WINDOW sets the default number of window pointers to be allocated in a window for a default file access, for disks mounted with the /SYSTEM qualifier.

ACP_WORKSET (D)

ACP_WORKSET sets the default size of a working set for an ACP. A specification of 0 permits the ACP to calculate the size. This value should be nonzero only on small systems where memory is tight. Too small a value causes excessive ACP page, while too large a value causes excessive physical memory to be consumed by the ACP. Note that this parameter has no effect on the per-process XQP.

ACP_WRITEBACK (D)

ACP_WRITEBACK is a dynamic system parameter that controls whether deferred writes to file headers are enabled. The default value is 1, which enables deferred writes to file headers. To disable the feature, set ACP_WRITEBACK to 0.

This system parameter affects only applications like PATHWORKS that can request deferred writes to file headers. Note that the deferred write feature is not available on Files-11 ODS-1 volumes.

ACP_XQP_RES

ACP_XQP_RES controls whether the XQP is currently in memory. The default value (1) specifies that the XQP is permanently in memory. Change the default only on restricted memory systems with a small number of users and little or no file activity that requires XQP intervention. Such activity includes file opens, closes, directory lookups, and window turns.

AFFINITY_SKIP

AFFINITY_SKIP controls the breaking of implicit affinity. The value indicates the number of times a process is skipped before being moved.

This special parameter is used by HP and is subject to change. Do not change this parameter unless HP recommends that you do so.

AFFINITY_TIME

AFFINITY_TIME controls the breaking of implicit affinity. The value indicates how long a process remains on the compute queue.

This special parameter is used by HP and is subject to change. Do not change this parameter unless HP recommends that you do so.

ALLOCLASS

ALLOCLASS determines the device allocation class for the system. The device allocation class is used to derive a common lock resource name for multiple access paths to the same device.

ARB_SUPPORT (D)

(Alpha only) The Access Rights Block (ARB) compatibility option, the ARB_SUPPORT system parameter, is provided specifically to support products that have not yet been updated to use the new per-thread security Persona Security Block (PSB) data structure instead of the ARB. Changing the value of ARB_SUPPORT from 2 or 3 (the default) to any other value can affect the operation of these products.

Note

HP recommends that all Version 7.3-1 systems have the ARB_SUPPORT parameter set to 3 (the default). Do not change the ARB_SUPPORT parameter to any other value until all products dependent on the ARB and associated structures have been modified for the new environment.

The following table describes ARB_SUPPORT parameters:

ARB_SUPPORT Parameter	Value	Behavior
ISS\$C_ARB_NONE	0	The obsolete kernel data cells are not maintained by the system. Fields are initialized to zero (or set to invalid pointers) at process creation.
ISS\$C_ARB_CLEAR	1	The obsolete kernel data cells are cleared (or set to invalid pointers) when the code would have set up values for backward compatibility.

System Parameters

C.2 Parameter Descriptions

ARB_SUPPORT Parameter	Value	Behavior
ISS\$C_ARB_READ_ONLY	2	The obsolete cells are updated with corresponding security information stored in the current PSB when a \$PERSONA_ASSUME is issued.
ISS\$C_ARB_FULL	3 (default)	Data is moved from the obsolete cells to the currently active PSB on any security-based operation.

AUTO_DLIGHT_SAV

AUTO_DLIGHT_SAV is set to either 1 or 0. The default is 0.

If AUTO_DLIGHT_SAV is set to 1, OpenVMS automatically makes the change to and from daylight saving time.

AWSMIN (D)

On VAX systems, AWSMIN establishes the lowest number of pages to which a working set limit can be decreased by automatic working set adjustment.

On Alpha systems, AWSMIN establishes the lowest number of pagelets to which a working set limit can be decreased by automatic working set adjustment.

AWSTIME (D)

AWSTIME specifies the minimum amount of processor time that must elapse for the system to collect a significant sample of a working set's page fault rate. The time is expressed in units of 10 milliseconds. The default value of 20, for example, is 200 milliseconds.

Some application configurations that have a large number of memory-intensive processes may benefit if the value is reduced. The value can be as low as 4.

AWSTIME expiration is checked only at quantum end. Reducing its value and not reducing QUANTUM effectively sets the value of AWSTIME equal to the value of QUANTUM.

BALSETCNT (A,G,M)

BALSETCNT sets the number of balance set slots in the system page table. Each memory-resident working set requires one balance set slot.

You can monitor the active system with the DCL command SHOW MEMORY or the MONITOR PROCESSES command of the Monitor utility to determine the actual maximum number of working sets in memory. If this number is significantly lower than the value of BALSETCNT, this parameter value may be lowered. If all balance set slots are being used, raise the value of BALSETCNT.

Never set BALSETCNT to a value higher than 2 less than MAXPROCESSCNT. If physical memory is a significant system constraint, consider lowering this value even further. However, if your system runs with a number of processes nearly equal to MAXPROCESSCNT, lowering BALSETCNT will force swapping to occur, which can affect system performance. Note that virtual balance slots (VBS) can affect the values of BALSETCNT and MAXPROCESSCNT.

BORROWLIM (A,D,M)

BORROWLIM defines the minimum number of pages required on the free-page list before the system permits process growth beyond the working set quota (WSQUOTA) for the process. This parameter should always be greater than FREELIM.

System Parameters

C.2 Parameter Descriptions

This parameter allows a process to grow beyond the value set by the working set quota (WSQUOTA) to the working set quota extent (WSEXTENT) on a system that has a substantial memory on the free-page list. This automatic working set adjustment also depends upon the values of parameters WSINC, PFRATH, and AWSTIME.

Working set growth attempts to alleviate heavy page faulting. To make use of this growth, you must also set the user's WSEXTENT authorization quota to a larger number than the WSQUOTA value.

BREAKPOINTS

If XDELTA is loaded, BREAKPOINTS enables additional built-in calls for XDELTA during the boot sequence. The breakpoints that are enabled may change from release to release of OpenVMS.

This special parameter is used by HP and is subject to change. Do not change this parameter unless HP recommends that you do so.

BUGCHECKFATAL (D)

BUGCHECKFATAL enables or disables the conversion of nonfatal bugchecks into fatal bugchecks. The system must be rebooted on a fatal bugcheck. A nonfatal bugcheck places an entry only in the error log and deletes the corresponding process.

This parameter should normally be OFF (0); you should set it ON (1) only when the executive is being debugged.

Setting the SYSTEM_CHECK parameter to 1 has the effect of setting BUGCHECKFATAL to ON (1).

BUGREBOOT (D)

BUGREBOOT enables or disables automatic rebooting of the system if a fatal bugcheck occurs. This parameter should normally be on (1); set it off (0) only when the executive is being debugged.

CHANNELCNT

CHANNELCNT specifies the number of permanent I/O channels available to the system.

This special parameter is used by HP and is subject to change. Do not change this parameter unless HP recommends that you do so.

CHECK_CLUSTER

(VAX only) CHECK_CLUSTER is the VAXCLUSTER parameter sanity check. When CHECK_CLUSTER is set to 1, SYSBOOT outputs a warning message and forces a conversational boot if it detects that the VAXCLUSTER parameter is set to 0.

CLASS_PROT (D)

CLASS_PROT performs the nondiscretionary classification checks. CLASS_PROT is also checked by XQP to determine if a classification block should be added to the header of any created files.

CLISYMTBL (D)

CLISYMTBL sets the size of the command interpreter symbol table, which controls the number of DCL symbols that can be created.

System Parameters

C.2 Parameter Descriptions

CLOCK_INTERVAL

(VAX only) `CLOCK_INTERVAL` sets the number of microseconds between the hardware interval timer clock interrupts. It has no effect on processors that have implemented only the subset interval clock registers.

This special parameter is used by HP and is subject to change. Do not change this parameter unless HP recommends that you do so.

CLUSTER_CREDITS

`CLUSTER_CREDITS` specifies the number of per-connection buffers a node allocates to receiving `VMS$VAXcluster` communications.

If the `SHOW CLUSTER` command displays a high number of credit waits for the `VMS$VAXcluster` connection, you might consider increasing the value of `CLUSTER_CREDITS` on the other node. However, in large cluster configurations, setting this value unnecessarily high consumes a large quantity of nonpaged pool. Each receive buffer is at least `SCSMAXMSG` bytes in size but might be substantially larger depending on the underlying transport.

It is not required for all nodes in the cluster to have the same value for `CLUSTER_CREDITS`.

The default value is currently 32. Unless a system has very constrained memory available, HP recommends that these values not be increased.

CONCEAL_DEVICES

`CONCEAL_DEVICES` enables or disables the use of concealed devices. By default, this parameter is set to enable concealed devices (1).

This special parameter is used by HP and is subject to change. Do not change this parameter unless HP recommends that you do so.

CRD_CONTROL

This special parameter is used by HP and is subject to change. Do not change this parameter unless HP recommends that you do so.

On VAX systems, `CRD_CONTROL` serves the function of `CRDENABLE` in earlier releases. On Alpha systems, `CRD_CONTROL` can be used to expand the function defined by `CRDENABLE`.

`CRD_CONTROL` is a bit mask for corrected read data (CRD) soft error control flags. These flags control the use of `CRDERROR` routines.

On VAX systems, the following bits are defined:

Bit	Description
0	Enables CRD processing for all systems.
1	Enables scrubbing (rewriting) of the memory location that induced the CRD.
2	Enables page replacement of the pages that exhibit repeated CRD errors.
3	Forces all memory pages to be included in the PFN database. On systems that contain more than 512 megabytes of memory, all memory is mapped by the PFN database by default. This bit allows the mapping to occur on systems with less than 512 megabytes of memory.

Default values are different for VAX and Alpha systems. On VAX systems, the default is 7, which enables CRD processing, scrubbing, and page replacement.

System Parameters

C.2 Parameter Descriptions

On Alpha systems, the following bits are defined:

Bit	Description
0	Enables CRD processing for all systems.
1	Enables scrubbing (rewriting) of the memory location that induced the CRD.
2	Enables page replacement of the pages that exhibit repeated CRD errors.
3	Forces all memory pages to be included in the PFN database. On systems that contain more than 512 megabytes of memory, all memory is mapped by the PFN database by default. This bit allows the mapping to occur on systems with less than 512 megabytes of memory.
4	Enables extended CRD handling, if available.
5	Enables loading of driver and process for handling server management events. Platform-specific code usually sets this bit if the required hardware and firmware support are available.
6	Disables CRD throttling.
16-31	Reserved for platform-specific error-handling control.

On Alpha systems, the default setting is 22, which enables scrubbing, page replacement, and extended CRD handling.

CRDENABLE

(Alpha only) **CRDENABLE** enables or disables detection and logging of memory-corrected read data (ECC) errors. This parameter should normally be set to (1).

Beginning with OpenVMS Version 7.2, **CRD_CONTROL** can expand the function of **CRDENABLE**. (Refer to **CRD_CONTROL**.)

CTLIMGLIM

CTLIMGLIM specifies the size of the default image I/O segment; that is channel table and initial buffer pool for image-related file and RMS I/O.

This special parameter is used by HP and is subject to change. Do not change this parameter unless HP recommends that you do so.

CTLPAGES (A)

CTLPAGES specifies the size of P1 pool. **CTLPAGES** is automatically changed only when the process logical name table, DCL symbols, or some layered products require an increase in the size of the P1 pool area.

This special parameter is used by HP and is subject to change. Do not change this parameter unless HP recommends that you do so.

CWCREPRC_ENABLE

CWCREPRC_ENABLE controls whether an unprivileged user can create a process on another OpenVMS Cluster node. The default value of 1 allows an unprivileged user to create a detached process with the same UIC on another node. A value of 0 requires that a user have **DETACH** or **CMKRNL** privilege to create a process on another node.

DBGTK_SCRATCH

(Alpha only) **DBGTK_SCRATCH** specifies how many pages of memory are allocated for the remote debugger. This memory is allocated only if remote debugging is enabled with the 8000 boot flag. Normally, the default value is adequate, but if the remote debugger issues an error message, you should

System Parameters

C.2 Parameter Descriptions

increase this value. See *Writing OpenVMS Alpha Device Drivers in C* (Margie Sherlock and Lenny S. Szubowicz, Digital Press, 1996).

DCL_CTLFLAGS

DCL_CTLFLAGS is a bitmask used to alter default behavior for certain commands on a systemwide basis. At present, only the low bit of the bitmask is defined. The low bit controls the default process-name assignment for a subprocess created using the SPAWN command or LIB\$SPAWN routine.

Prior to OpenVMS Version 7.3-1, if no process name was supplied, the system constructed a name by appending *_n* to the username, where *n* was the next available non-duplicate integer for any process currently in the system. For example, the first spawned process from user SYSTEM would be called SYSTEM_1, the second, SYSTEM_2, and so on. The next available number was chosen, as soon as a gap was found.

A problem with this technique is that determining the next available number is very expensive in terms of performance, because the mechanism attempts to create the process by incrementing names until one is found that unique. When several subprocesses already exist, the cost of creating the subprocess iteratively becomes even more expensive. When many processes are in the same OpenVMS group, the cost multiplies because process names must be unique throughout the group.

Beginning in OpenVMS Version 7.3-1, the default constructed process name for subprocesses has changed. Instead of incrementally searching for the next unique number, a random number is chosen to append to the username. Therefore, the first processes that are spawned from user SYSTEM might be SYSTEM_154, SYSTEM_42, SYSTEM_87, and so on. This procedure results in a very high probability of finding a unique name on the first try, because it is unlikely that the same number is already in use. This greatly reduces the cost of process creation, and applications that rely on spawned subprocesses might see a dramatic performance improvement due to this change.

However, some applications might rely on the previous method of assigning subprocess names. The DCL_CTLFLAGS parameter is available to allow you to configure the system as necessary.

Bit 0 of DCL_CTLFLAGS selects the behavior for assigning default subprocess names:

- If the bit is clear, the new behavior is used. If you do not specify a process name, the system assigns the username with a random number suffix. This is the default setting.
- If the bit is set, the prior behavior is used. If you do not specify a process name, the system assigns the username with a random number suffix.

DEADLOCK_WAIT (D)

DEADLOCK_WAIT defines the number of seconds that a lock request must wait before the system initiates a deadlock search on behalf of that lock. Setting DEADLOCK_WAIT to 0 disables deadlock checking. Setting DEADLOCK_WAIT to a value greater than 0 but still less than the default setting provides faster detection of deadlocks but requires more CPU usage.

System Parameters

C.2 Parameter Descriptions

DEFMBXBUFQUO (D)

DEFMBXBUFQUO sets the default for the mailbox buffer quota size in bytes when this value is not specified in a Create Mailbox (\$CREMBX) system service call.

DEFMBXMXMSG (D)

DEFMBXMXMSG sets the default for the mailbox maximum message size in bytes when this value is not specified in a Create Mailbox (\$CREMBX) system service call.

DEFPRI (D)

DEFPRI sets the base default priority for processes.

DEFQUEPRI (D)

DEFQUEPRI establishes the scheduling priority for jobs entered in batch and output (printer, server, and terminal) queues when no explicit scheduling priority is specified by the submitter. The value of this parameter can range from 0 to 255; the default value is 100.

The value of DEFQUEPRI should be less than or equal to MAXQUEPRI.

Note

DEFQUEPRI refers to relative queue scheduling priority, not the execution priority of the job.

DELPRC_EXIT (D)

DELPRC_EXIT can be used to control \$DELPRC system service options that call exit handlers prior to final cleanup and deletion of a process. The following table describes these options:

Option	Description
0	Disable the exit handler functionality with \$DELPRC.
4	Execute kernel mode exit handlers.
5 (default)	Execute exec and more privileged mode exit handlers.
6	Execute supervisor and more privileged mode exit handlers.
7	Execute user and more privileged mode exit handlers.

DEVICE_NAMING

(Alpha only) DEVICE_NAMING is a bit mask indicating whether port allocation classes are used in forming SCSI device names.

Following is the bit definition:

Bit	Definition
0	If 1, enable new naming.
1	Must be 0. This bit is reserved for use by HP.

For more information about port allocation classes, see *OpenVMS Cluster Systems*.

System Parameters

C.2 Parameter Descriptions

DISABLE_UPCALLS (D)

DISABLE_UPCALLS is primarily a debugging aid. It allows the system manager to disable threads upcalls of specific types for the entire system. The value is a bit mask, with the bits corresponding to the upcall types. The upcall types are defined in the definition macro \$TMCDEF.

This special parameter is used by HP and is subject to change. Do not change this parameter unless HP recommends that you do so.

DISK_QUORUM (D)

The DISK_QUORUM parameter is the name of an optional quorum disk in ASCII. ASCII spaces indicate that no quorum disk is being used.

DLCKEXTRASTK

(VAX only) DLCKEXTRASTK specifies the amount of extra interrupt stack (in bytes) to leave when doing a deadlock search.

This parameter is not used on Alpha systems.

This special parameter is used by HP and is subject to change. Do not change this parameter unless HP recommends that you do so.

DNVOSI1

DNVOSI1 is reserved to DECnet-Plus for OpenVMS. This special parameter is used by HP and is subject to change. Do not change this parameter unless HP recommends that you do so.

DORMANTWAIT (D)

DORMANTWAIT specifies, in seconds, the amount of time that can elapse without a significant event before the system treats a low-priority computable process as a DORMANT process for scheduling purposes. (A low-priority process is a non real-time process whose current priority is equal to or less than the value specified by the system parameter DEFPRI [default=4].) After SUSP (suspended) processes, DORMANT processes are the most likely candidates for memory reclamation by the swapper.

Increasing the value of DORMANTWAIT can increase the interval that a low priority process blocks a high priority process if that low priority process is holding a lock or resource that the higher priority process is waiting for.

DR_UNIT_BASE (G)

(Alpha only) DR_UNIT_BASE specifies the base value from which unit numbers for DR devices (DIGITAL StorageWorks RAID Array 200 Family logical RAID drives) are counted.

DR_UNIT_BASE provides a way for unique RAID device numbers to be generated. DR devices are numbered starting with the value of DR_UNIT_BASE and then counting from there. For example, setting DR_UNIT_BASE to 10 produces device names such as \$1\$DRA10, \$1\$DRA11, and so on.

Setting DR_UNIT_BASE to appropriate, nonoverlapping values on all cluster members that share the same (nonzero) allocation class ensures that no two RAID devices are given the same name.

DUMPCBUG

DUMPCBUG enables (1) or disables (0) the writing of error log buffers and memory contents to SYS\$SYSTEM:SYSDUMP.DMP when a fatal bugcheck

System Parameters C.2 Parameter Descriptions

occurs. This parameter should be off (0) only when the executive is being debugged.

DUMPSTYLE (A,D)

DUMPSTYLE specifies the method of writing system dumps.

DUMPSTYLE is a 32-bit mask, with the following bits defined. Each bit can be set independently. The value of the system parameter is the sum of the values of the bits that have been set. Remaining or undefined values are reserved for HP use only.

Bit	Mask	Description
0	00000001	0 = Full dump (SYSGEN default). The entire contents of physical memory are written to the dump file.
		1 = Selective dump. The contents of memory are written to the dump file selectively to maximize the usefulness of the dump file while conserving disk space.
1	00000002	0 = Minimal console output.
		1 = Full console output (includes stack dump, register contents, and so on).
2	00000004	0 = Dump to system disk.
		1 = Dump off system disk (DOSD) to an alternate disk. (Refer to the <i>HP OpenVMS System Manager's Manual</i> for details.)
3 (Alpha only) ¹	00000008	0 = Do not compress. 1 = Compress. (See note below.)
4 (Alpha only) ²	00000010	0 = Dump shared memory.
		1 = Do not dump shared memory. (See note below.)
5 - 14		Reserved for HP use only.
15 (VAX only) ³	00008000	0 = Disable use of bits 16 - 27.
		1 = Enable use of bits 16 - 27.
16 - 27 (VAX only) ²	0FFF0000	Range of DOSD unit numbers.
28 - 31		Reserved for HP use only.

¹VAX systems do not support dump compression.

²VAX systems do not support shared memory.

³Specific to VAX 7000s.

If you plan to enable the Volume Shadowing minimerge feature on an Alpha system disk, be sure to specify DOSD to an alternate disk.

Note

On Alpha systems, you can save space on the system disk and, in the event of a crash, save time recording the system memory, by using the OpenVMS Alpha dump compression feature. Unless you override the default AUTOGEN calculations (by setting DUMPSTYLE in MODPARAMS.DAT), AUTOGEN uses the following algorithm:

System Parameters

C.2 Parameter Descriptions

- On a system with less than 128 MB of memory, the system sets the DUMPSTYLE to 1 (a raw selective dump) and sizes the dump file appropriately.
 - On a system with 128 MB of memory or greater, the system sets the DUMPSTYLE to 9 (a compressed selective dump), and creates the dump file at two-thirds the value of the corresponding raw dump.
-

Examples:

The mask of 00000006 directs the system to send a full dump, with full console output, off the system disk (to the alternate disk).

For a VAX 7000, a mask of 00098006 directs the system to send a full dump with full console output to the DOSD whose unit number is 9.

On Alpha systems, the mask of 00000009 directs the system to compress a selective dump with minimal console output.

ERLBUFFERPAGES (A on Alpha)

ERLBUFFERPAGES specifies the amount of memory to allocate for each buffer requested by the ERRORLOGBUFFERS parameter.

On VAX systems, ERLBUFFERPAGES has a default value of 2 pages and a maximum value of 32 pages.

On Alpha systems, ERLBUFFERPAGES has a default value of 4 pagelets and a maximum value of 32 pagelets.

ERRORLOGBUFFERS

ERRORLOGBUFFERS specifies the number of buffers reserved for system error log entries. Each buffer is ERLBUFFERPAGES in length. If ERRORLOGBUFFERS is too low, messages might not be written to the error log file. If it is too high, unneeded physical pages can be consumed by the error log buffers.

If you increase ERRORLOGBUFFERS, you must also increase the size of the system dump file.

EXPECTED_VOTES (A)

EXPECTED_VOTES specifies the maximum number of votes that may be present in a cluster at any given time. Set it to a value that is equal to the sum of the vote parameters of all cluster members, plus any votes that are contributed by the quorum disk. This value is used to automatically derive the number of votes that must be present for the cluster to function (quorum).

EXTRACPU (D)

EXTRACPU sets the time, in units of 10 milliseconds, allotted to each of a process's exit handlers (for each access mode) after the process times out (that is, reaches its CPU time limit).

EXUSRSTK

EXUSRSTK specifies the amount of space provided by the image activator to recover from a stack overflow error.

This special parameter is used by HP and is subject to change. Do not change this parameter unless HP recommends that you do so.

System Parameters

C.2 Parameter Descriptions

FAST_PATH

(Alpha only) FAST_PATH is a static system parameter that enables (1) or disables (0) the Fast Path performance features for all Fast Path-capable ports.

Starting in OpenVMS Version 7.2, FAST_PATH is enabled by default. In Versions 7.0 and 7.1, FAST_PATH was disabled by default.

For additional information, see FAST_PATH_PORTS and IO_PREFER_CPUS.

FAST_PATH_PORTS

(Alpha only) FAST_PATH_PORTS is a static parameter that deactivates Fast Path for specific drivers.

FAST_PATH_PORTS is a 32-bit mask, with a bit assigned for each Fast Path port driver. The following table describes the bit values:

Bit Value	Description
1	Indicates that Fast Path is disabled for ports serviced by the corresponding driver.
0	Indicates that Fast Path is not disabled for ports serviced by the corresponding driver.

Beginning in OpenVMS Version 7.3-1, values of specific bit positions are those described in the following table:

Bit Position	Description
0	Controls Fast Path for PKQDRIVER (for parallel SCSI).
1	Controls Fast Path for FGEDRIVER (for Fibre Channel).
2	Controls Fast Path for PKADRIVER (for Ultra3 SCSI).
3	Controls Fast Path for PEDRIVER (for LAN).
4	Controls Fast Path for PKRDRIVER (for SMART Array 5300).

Currently, the default setting for FAST_PATH_PORTS is 0, which means that Fast Path is enabled for all drivers that appear in the table.

In addition, note the following:

- CI drivers are not controlled by FAST_PATH_PORTS. Fast Path for CI is enabled and disabled exclusively by the FAST_PATH system parameter.
- FAST_PATH_PORTS is relevant only if the FAST_PATH system parameter is enabled (equal to 1). Setting FAST_PATH to zero has the same effect as setting all the bits in FAST_PATH_PORTS to 1.

For additional information, see FAST_PATH and IO_PREFER_CPUS. For an explanation of how to set the bits, see the *HP OpenVMS I/O User's Reference Manual*.

FREEGOAL (A,D,M)

FREEGOAL establishes the number of pages that you want to reestablish on the free-page list following a system memory shortage. Memory shortages occur when the system drops below the minimum number of pages required on the free-page list (FREELIM). The value of FREEGOAL must always be greater than or equal to the value of FREELIM.

System Parameters

C.2 Parameter Descriptions

FREELIM (A,M)

FREELIM sets the minimum number of pages that must be on the free-page list.

The system writes pages from the modified-page list, swaps out working sets, or reduces the size of the working sets to maintain the minimum count.

While the larger free-page list generally means less page I/O, it also means less space for the balance set, which tends to result in more swap I/O. You can monitor the size of the free-page list, the amount of page, and the amount of swap with the MONITOR IO command of the Monitor utility.

GALAXY

(Alpha Galaxy platforms only) The GALAXY parameter controls whether the specified instance participates in a Galaxy sharing set. Specify one of the following:

Value	Description
0	Never load. Do not participate in a Galaxy sharing set.
1	Always load. Participate in a Galaxy sharing set.

The default value is 0. GALAXY is not an AUTOGEN parameter.

GBLPAGES (A,D,F,G,M)

GBLPAGES sets the number of global page table entries allocated at bootstrap time. Each global section requires 1 global page table entry per section page, plus 2 entries, with the total rounded up to an even number.

Users with CMKRNL privilege can change this parameter on a running system. Increasing the value of this parameter allows the global page table to expand, on demand, up to the maximum size.

The default value is sufficient for the images normally installed as shared in the system startup command procedures. Once the system is running and all global sections are created, you can examine the actual requirements with the /GLOBAL qualifier of the Install utility (INSTALL) and reduce the value of GBLPAGES accordingly. However, do not set the value of this parameter too low, because the page table entries use little permanently resident memory. If you plan to install many user images as shared, or if user programs are likely to create many global sections, you must increase the value of this parameter.

GBLPAGFIL (A,D)

GBLPAGFIL defines the maximum number of systemwide pages allowed for global page-file sections (scratch global sections that can be used without being mapped to a file). These global page-file sections can be temporary, permanent, system, or group, and are allocated from the page file specified in the system process header at bootstrap time. When you allow pages for global page-file sections, you must increase the size of the page file accordingly. Users with CMKRNL privilege can change this parameter value on a running system.

Global page-file sections are created with the Create and Map Section system services (\$CREATE_GPFILE, \$CRMPSC, and \$CRMPSC_GPFILE_64) without an explicit disk file. These sections are used for the RMS global buffers required for shared files. Users of shared files should note that global page-file sections cause both the global page table and the default system page file (PAGEFILE.SYS) to be used. If the value of GBLPAGFIL is too small, \$CRMPSC issues an error message when you attempt to create global page-file sections.

System Parameters

C.2 Parameter Descriptions

You must have scratch global sections if you use RMS global buffers. Each file using global buffers requires, in the system page file, the file's bucket size multiplied by the number of global buffers for that file. If the file's bucket size varies, as with RMS indexed files, use the maximum bucket size. For shared sequential files, use the multiblock count of the first stream to perform the \$CONNECT service in place of the file's bucket size.

The default value for this parameter is adequate for most systems. However, if your site uses RMS global buffering to a significant extent, you may need to raise the value of GBLPAGFIL. Use the /GLOBAL qualifier of the Install utility to examine the number of pages consumed by RMS global buffers. The global sections used by RMS for global buffers have the prefix RMS\$ followed by 8 hexadecimal digits.

Global buffers are enabled with the DCL command SET FILE/GLOBAL_BUFFERS, which is described in the *HP OpenVMS DCL Dictionary*.

GBLSECTIONS (A,F,G,M)

GBLSECTIONS sets the number of global section descriptors allocated in the system header at bootstrap time. Each global section requires one descriptor. Each descriptor takes 32 bytes of permanently resident memory.

The default value is sufficient for the images normally installed as shared in the system startup command procedures. Once the system is running and all global sections are created, you can examine the actual requirements with the /GLOBAL qualifier of the Install utility and reduce the value of GBLSECTIONS accordingly. However, the value of this parameter should not be set too low. If you plan to install many user images as shared, or if user programs are likely to create many global sections, you must increase the value of this parameter.

If the value of GBLSECTIONS is too small, you receive a message from the Install utility at system startup time or whenever you install images manually. Note that too large a value for GBLSECTIONS wastes physical memory.

GH_EXEC_CODE (A,F)

(Alpha only) GH_EXEC_CODE specifies the size in pages of the execlet code granularity hint region.

GH_EXEC_DATA (A,F)

(Alpha only) GH_EXEC_DATA specifies the size in pages of the execlet data granularity hint region.

GH_RES_CODE (A,F)

(Alpha only) GH_RES_CODE specifies the size in pages of the resident image code granularity hint region.

GH_RES_DATA (A,F)

(Alpha only) GH_RES_DATA specifies the size in pages of the resident image data granularity hint region.

If bit 2 of the LOAD_SYS_IMAGES parameter is set, the image LDR\$WRAPUP releases all unused pages in the granularity hint region at the end of system startup. The unused pages of the resident image granularity hint region are either reserved for future use, or given back to the free memory list.

System Parameters

C.2 Parameter Descriptions

GH_RSRVPGCNT (F)

GH_RSRVPGCNT specifies the number of pages in the resident image code granularity hint region that the Install utility can use after the system has finished booting.

If bit 2 of the LOAD_SYS_IMAGES parameter is set, the image LDR\$WRAPUP releases all unused pages in the granularity hint region at the the end of system startup. The unused pages of the resident image granularity hint region are either reserved for future use, or given back to the free memory list.

GH_RSRVPGCNT specifies the number of pages that LDR\$WRAPUP attempts to leave in the resident image code granularity hint region. If the GH_RSRVPGCNT number of pages is larger than the unused pages in the granularity hint region, the region is not expanded to accommodate the number of pages requested.

GLX_INST_TMO

(Alpha Galaxy platforms only) GLX_INST_TMO is the time (in milliseconds) that an instance in a Galaxy sharing set can fail to increment its timeout value before the other sharing instances presume that the instance failed and remove it from the sharing set.

The default is 20,000 milliseconds (20 seconds).

GLX_SHM_REG

For Galaxy systems, GLX_SHM_REG is the number of shared memory region structures configured into the Galaxy Management Database (GMDB). If set to 0, the default number of shared memory regions are configured.

GROWLIM (A,D,M)

GROWLIM sets the number of pages that the system must have on the free-page list so that a process can add a page to its working set when it is above quota. GROWLIM has no effect if the process is below its working set quota. GROWLIM acts as a fast shutoff to the working set extent mechanism based on the system's free memory.

IEEE_ADDRESS

IEEE_ADDRESS is reserved for HP use only.

IEEE_ADDRESSH

IEEE_ADDRESSH is reserved for HP use only.

IJOBLIM (D)

IJOBLIM sets the maximum number of interactive jobs that can be on the system concurrently. You can control the maximum number of concurrent interactive users on the system with the DCL command SET LOGINS/INTERACTIVE.

IMGIOCNT

IMGIOCNT specifies the default number of pages of image I/O address space to be allocated for the image activator if not specified at program link time.

This special parameter is used by HP and is subject to change. Do not change this parameter unless HP recommends that you do so.

IMGREG_PAGES

(Alpha only) IMGREG_PAGES is the number of pages to reserve in P1 space for images to be installed with shareable address data. If IMGREG_PAGES is set to 0, no images are installed with shared address data. The default is 10,000 pages.

System Parameters

C.2 Parameter Descriptions

For more information, see the `INSTALL` section in the *HP OpenVMS System Management Utilities Reference Manual*.

INTSTKPAGES (A,D,G,M)

(VAX only) `INTSTKPAGES` sets the size of the interrupt stack in pages. Each page on the interrupt stack requires a page of permanently resident memory.

Use the default value of 6 unless interrupt-stack-not-valid exceptions occur. These may be caused by either an unusually large number of devices or a driver that requires a large amount of stack space.

IO_PREFER_CPUS

(Alpha only) `IO_PREFER_CPUS` is a dynamic system parameter that controls the set of CPUs that are available for use as Fast Path preferred CPUs.

`IO_PREFER_CPUS` is a CPU bit mask specifying the CPUs that are allowed to serve as preferred CPUs and that can thus be assigned a Fast Path port. CPUs whose bit is set in the `IO_PREFER_CPUS` bit mask are enabled for Fast Path port assignment. `IO_PREFER_CPUS` defaults to -1, which specifies that all CPUs are allowed to be assigned Fast Path ports.

You might want to disable the primary CPU from serving as a preferred CPU by clearing its bit in `IO_PREFER_CPUS`. This reserves the primary CPU for non-Fast-Path IO operations to use.

Changing the value of `IO_PREFER_CPUS` causes the `FASTPATH_SERVER` process to execute the automatic assignment algorithm that spreads Fast Path ports evenly among the new set of usable CPUs.

For additional information, see `FAST_PATH` and `FAST_PATH_PORTS`.

IOTA

`IOTA` specifies the amount of time (in 10-millisecond units) to charge to the current residence quantum for each voluntary wait. The correct value approximates the cost of a disk I/O neglecting wait time.

This special parameter is used by HP and is subject to change. Do not change this parameter unless HP recommends that you do so.

JBOBLIM

This parameter is no longer in use.

JOBCTLD

System managers do not usually alter `JOBCTLD`; this word of debug flags is used in rolling upgrades of OpenVMS. If bit 0 is set, the queue manager does not start. The default is 0.

This special parameter is used by HP and is subject to change. Do not change this parameter unless HP recommends that you do so.

KFILSTCNT

This parameter is no longer used on VAX systems and is not used on Alpha systems.

KSTACKPAGES

(Alpha only) `KSTACKPAGES` controls the number of pages allocated for process kernel stacks.

System Parameters

C.2 Parameter Descriptions

LAMAPREGS (G)

(VAX only) LAMAPREGS sets the number of UNIBUS map registers allocated to an LPA11 driver when the driver is loaded, and limits the registers for the driver to that number. A value of 0 permits dynamic allocation of an unlimited number of registers.

LAN_FLAGS (D)

(Alpha only) LAN_FLAGS is a bit mask used to enable features in the local area networks port drivers and support code. The default value for LAN_FLAGS is 0.

The bit definitions are as follows:

Bit	Description
0	The default of zero indicates that ATM devices run in SONET mode. If set to 1, this bit indicates ATM devices run in SDH mode.
1	If set, this bit enables a subset of the ATM trace and debug messages in the LAN port drivers and support code.
2	If set, this bit enables all ATM trace and debug messages in the LAN port drivers and support code.
3 ¹	If set, this bit runs UNI 3.0 over all ATM adapters.
4 ¹	If set, this bit runs UNI 3.1 over all ATM adapters.
5	If set, disables auto-negotiation over all Gigabit Ethernet Adapters.
6	If set, enables the use of jumbo frames over all Gigabit Ethernet Adapters.

¹Auto-sensing of the ATM UNI version is enabled if both bit 3 and bit 4 are off (0).

LCKMGR_CPUID

(Alpha only) LCKMGR_CPUID controls the CPU that the Dedicated CPU Lock Manager runs on. This is the CPU that the LCKMGR_SERVER process utilizes if you turn this feature on with the LCKMGR_MODE system parameter.

If the specified CPU ID is either the primary CPU or a nonexistent CPU, the LCKMGR_SERVER process utilizes the lowest nonprimary CPU. For more information, refer to the LCKMGR_MODE system parameter.

LCKMGR_MODE

(Alpha only) The LCKMGR_MODE parameter controls use of the Dedicated CPU Lock Manager. Setting LCKMGR_MODE to a number greater than zero (0) indicates the number of CPUs that must be active before the Dedicated CPU Lock Manager is turned on.

The Dedicated CPU Lock Manager performs all locking operations on a single dedicated CPU. This can improve system performance on large SMP systems with high MP_Synch associated with the lock manager.

If the number of active CPUs is greater than or equal to LCKMGR_MODE, a LCKMGR_SERVER process is created to service locking operations. This process runs at a real-time priority of 63 and is always current.

In addition, if the number of active CPUs should ever be reduced below the required threshold by either a STOP/CPU command or by a CPU reassignment in a Galaxy configuration, the Dedicated CPU Lock Manager automatically turns off within one second, and the LCKMGR_SERVER is placed in a hibernate state. If the number of active CPUs is increased, the LCKMGR_SERVER resumes servicing locking operations.

System Parameters

C.2 Parameter Descriptions

Specify one of the following:

- Zero (0) indicates that the Dedicated CPU Lock Manager is off (the default).
- A number greater than zero (0) indicates the number of CPUs that must be active before the Dedicated CPU Lock Manager will turn on.

For more information about use of the Dedicated CPU Lock Manager, see the *OpenVMS Performance Management*.

LGI_BRK_DISUSER (D)

LGI_BRK_DISUSER turns on the DISUSER flag in the UAF record when an attempted break-in is detected, thus permanently locking out that account. The parameter is off (0) by default. You should set the parameter (1) only under extreme security watch conditions, because it results in severely restricted user service.

LGI_BRK_LIM (D)

LGI_BRK_LIM specifies the number of failures that can occur at login time before the system takes action against a possible break-in. The count of failures applies independently to login attempts by each user name, terminal, and node. Whenever login attempts from any of these sources reach the break-in limit specified by LGI_BRK_LIM, the system assumes it is under attack and initiates evasive action as specified by the LGI_HID_TIM parameter.

The minimum value is 1. The default value is usually adequate.

LGI_BRK_TERM (D)

LGI_BRK_TERM causes the terminal name to be part of the association string for the terminal mode of break-in detection. When LGI_BRK_TERM is set to off (0), the processing considers the local or remote source of the attempt, allowing break-in detection to correlate failed access attempts across multiple terminal devices. When set to on (1), LGI_BRK_TERM assumes that only local hard-wired or dedicated terminals are in use and causes breakin detection processing to include the specific local terminal name when examining and correlating break-in attempts.

Ordinarily, LGI_BRK_TERM should be set to off (0) when physical terminal names are created dynamically, such as when network protocols like LAT and Telnet are in use.

LGI_BRK_TMO (D)

LGI_BRK_TMO specifies the length of the failure monitoring period. This time increment is added to the suspect's expiration time each time a login failure occurs. Once the expiration period passes, prior failures are discarded, and the suspect is given a clean slate.

LGI_CALLOUTS (D)

LGI_CALLOUTS specifies the number of installation security policy callout modules to be invoked at each login. LGI_CALLOUTS must be set to 0 unless callout modules are present.

LGI_HID_TIM (D)

LGI_HID_TIM specifies the number of seconds that evasive action persists following the detection of a possible break-in attempt. The system refuses to allow any logins during this period, even if a valid user name and password are specified.

System Parameters

C.2 Parameter Descriptions

LGI_PWD_TMO (D)

LGI_PWD_TMO specifies, in seconds, the period of time a user has to enter the correct system password (if used). LGI_PWD_TMO also establishes the timeout period for users to enter their personal account passwords at login time. Also, when using the SET PASSWORD command, LGI_PWD_TMO specifies the period of time the system waits for a user to type in a new password, an old password, and the password verification.

LGI_RETRY_LIM (D)

LGI_RETRY_LIM specifies the number of retry attempts allowed users attempting to log in. If this parameter is greater than 0, and a legitimate user fails to log in correctly because of typing errors, the user does not automatically lose the carrier. Instead (provided that LGI_RETRY_TMO has not elapsed), by pressing the Return key, the user is prompted to enter the user name and password again. Once the specified number of attempts has been made without success, the user loses the carrier. As long as neither LGI_BRK_LIM nor LGI_BRK_TMO has elapsed, the user can dial in again and reattempt login.

LGI_RETRY_TMO (D)

LGI_RETRY_TMO specifies the number of seconds allowed between login retry attempts after each login failure. (Users can initiate login retries by pressing the Return key.) This parameter is intended to be used with the LGI_RETRY_LIM parameter; it allows dialup users a reasonable amount of time and number of opportunities to attempt logins before they lose the carrier.

LNMPHASHTBL (A on VAX,G)

LNMPHASHTBL sets the size of the process logical name hash table. Logical names are hashed using a function of the name length and contents. The LNMPHASHTBL parameter determines the number of entries for process-private logical names. The recommended setting is the average number of process-private logical names. Note that the hashed values are rounded up to the nearest power of 2.

LNMSHASHTBL (A,F,G)

LNMSHASHTBL sets the size of the system logical name hash table. Logical names are hashed using a function of the name length and contents. The LNMSHASHTBL parameter determines the number of entries for shareable logical names. These names include all names from the system, group, and job logical name tables. The recommended setting allows one to four logical names per hash table entry. The default setting is usually adequate, unless your installation has a large number of groups, or many jobs are active simultaneously. In that case, an increase in the value of the next higher power of 2 might improve logical name translation performance. Note that the hashed values are rounded up to the nearest power of 2.

LOAD_PWD_POLICY

LOAD_PWD_POLICY controls whether the SET PASSWORD command attempts to use site-specific password policy routines, which are contained in the shareable image SYS\$LIBRARY:VMS\$PASSWORD_POLICY.EXE. The default is 0, which indicates not to use policy routines.

LOAD_SYS_IMAGES (A on Alpha)

This special parameter is used by HP and is subject to change. Do not change this parameter unless HP recommends that you do so.

System Parameters

C.2 Parameter Descriptions

LOAD_SYS_IMAGES controls the loading of system images described in the system image data file, VMS\$SYSTEM_IMAGES. This parameter is a bit mask.

On VAX systems, the following bit is defined:

Bit	Description
0 (SGN\$V_LOAD_SYS_IMAGES)	Enables loading alternate execlets specified in VMS\$SYSTEM_IMAGES.DATA.

On Alpha systems, the following bits are defined:

Bit	Description
0 (SGN\$V_LOAD_SYS_IMAGES)	Enables loading alternate execlets specified in VMS\$SYSTEM_IMAGES.DATA.
1 (SGN\$V_EXEC_SLICING)	Enables executive slicing.
2 (SGN\$V_RELEASE_PFNS)	Enables releasing unused portions of the Alpha huge pages.

These bits are on by default. Using conversational bootstrap exec slicing can be disabled.

LOCKDIRWT (A)

LOCKDIRWT determines the portion of lock manager directory that this system handles. The default value is usually adequate.

LOCKIDTBL (A,F,M)

LOCKIDTBL sets the initial number of entries in the system Lock ID table and defines the amount by which the Lock ID table is extended whenever the system runs out of locks. One entry must exist for each lock in the system; each entry requires 4 bytes.

For simple timesharing systems, the default value is adequate. If your application uses many locks, as in the case of heavy RMS file sharing or a database management application, you should increase this parameter. When you change the value of LOCKIDTBL, examine the value of RESHASHTBL and change it if necessary.

The OpenVMS Lock Management facility is described in the *OpenVMS Programming Concepts Manual*. You can monitor locks with the MONITOR LOCK command of the Monitor utility.

LOCKIDTBL_MAX

LOCKIDTBL_MAX is obsolete beginning with OpenVMS Version 7.1.

LOCKRETRY

LOCKRETRY establishes the number of attempts made to lock a multiprocessor data structure.

This special parameter is used by HP and is subject to change. Do not change this parameter unless HP recommends that you do so.

LONGWAIT (A on Alpha,D,G,M)

LONGWAIT defines how much real time (in seconds) must elapse before the swapper considers a process to be temporarily idle. This parameter is applied to local event flag (LEF) and hibernate (HIB) waits to detect such conditions as an inactive terminal or ACP.

System Parameters

C.2 Parameter Descriptions

MAXBOBMEM (D)

(Alpha only) MAXBOBMEM defines the maximum amount of physical memory, measured in pagelets, that can be associated with a single buffer object created by a process in user mode. The default value of 0 means there is no system-imposed limit on the size of a buffer object.

Other MAXBOB* parameters are obsolete beginning in OpenVMS Version 7.3.

MAXBUF (D)

MAXBUF sets the maximum allowable size for any single buffered I/O packet. Buffered I/O packets are allocated from the permanently resident nonpaged dynamic pool. The terminal, mailbox, and printer device drivers are examples of device drivers that perform buffered I/O.

The number of bytes specified in the I/O request plus the size of a driver-dependent and function-dependent header area determine the required buffered I/O packet size. The size of the header area is a minimum of 16 bytes; there is no absolute upper limit. However, this header area is usually a few hundred bytes in size.

On OpenVMS VAX systems beginning with Version 7.1, the default value is 4112. The default value on OpenVMS Alpha systems continues to be 8192.

The maximum value of MAXBUF is 64000 bytes.

MAXCLASSPRI (D)

If class scheduling is enabled, MAXCLASSPRI sets the maximum range in the priority range of class-scheduled processes.

This special parameter is used by HP and is subject to change. Do not change this parameter unless HP recommends that you do so.

MAXPROCESSCNT (A,F,G,M)

MAXPROCESSCNT sets the number of process entry slots allocated at bootstrap time. One slot is required for each concurrent process on the system. Each slot requires 6 bytes of permanently resident memory.

The default value is normally configured to allow you to create the desired number of processes. If the following message appears, you need to increase the value of MAXPROCESSCNT:

```
%SYSTEM-F-NOSLOT, No PCB to create process
```

MAXQUEPRI (D)

MAXQUEPRI determines the highest scheduling priority that can be assigned to jobs entered in batch and output (printer, server, and terminal) queues without the submitter process having OPER or ALTPRI privilege. The value of this parameter can range from 0 to 255; the default is 100. The value of MAXQUEPRI should be greater than or equal to DEFQUEPRI.

Note

MAXQUEPRI refers to relative queue scheduling priority, not to the execution priority of the job.

System Parameters

C.2 Parameter Descriptions

MAXSYSGROUP (D)

MAXSYSGROUP sets the highest value that a group number can have and still be classified as a system UIC group number. Note that the specification is not in octal unless preceded by the %O radix indicator. This parameter is normally left at 8 (10 octal).

MC_SERVICES_P0 (D)

(Alpha only) MC_SERVICES_P0 controls whether other MEMORY CHANNEL nodes in the cluster continue to run if this node bugchecks or shuts down.

A value of 1 causes other nodes in the MEMORY CHANNEL cluster to crash with bugcheck code MC_FORCED_CRASH if this node bugchecks or shuts down.

The default value is 0. A setting of 1 is intended only for debugging purposes; the parameter should otherwise be left at its default value.

MC_SERVICES_P1 (D)

(Alpha only) This special parameter is reserved for HP use. Its value must be the same on all nodes connected by MEMORY CHANNEL.

MC_SERVICES_P2

(Alpha only) MC_SERVICES_P2 specifies whether to load the PMDRIVER (PMA0) MEMORY CHANNEL cluster port driver.

PMDRIVER is a driver that serves as the MEMORY CHANNEL cluster port driver. It works together with MCDRIVER (the MEMORY CHANNEL device driver and driver interface) to provide MEMORY CHANNEL clustering. If PMDRIVER is not loaded, cluster connections are not made over the MEMORY CHANNEL interconnect.

The default value is 1, which causes PMDRIVER to be loaded when you boot the system. When you run CLUSTER_CONFIG.COM and select the MEMORY CHANNEL option, PMDRIVER is loaded automatically when you reboot the system.

HP recommends that this value not be changed. This parameter value must be the same on all nodes connected by MEMORY CHANNEL.

MC_SERVICES_P3 (D)

(Alpha only) MC_SERVICES_P3 specifies the maximum number of tags supported. The maximum value is 2048, and the minimum value is 100.

The default value is 800. HP recommends that this value not be changed. This parameter value must be the same on all nodes connected by MEMORY CHANNEL.

MC_SERVICES_P4

(Alpha only) MC_SERVICES_P4 specifies the maximum number of regions supported. The maximum value is 4096, and the minimum value is 100.

The default value is 200. HP recommends that this value not be changed. This parameter value must be the same on all nodes connected by MEMORY CHANNEL.

MC_SERVICES_P5 (D)

(Alpha only) MC_SERVICES_P5 is reserved for HP use only and must remain at the default value of 8000000. This value must be the same on all nodes connected by MEMORY CHANNEL.

System Parameters

C.2 Parameter Descriptions

MC_SERVICES_P6

(Alpha only) MC_SERVICES_P6 specifies MEMORY CHANNEL message size, the body of an entry in a free queue, or a work queue. The maximum value is 65536, and the minimum value is 544.

The default value is 992. This value is suitable in all cases except for systems with highly constrained memory. For such systems, you can reduce the memory consumptions of MEMORY CHANNEL by slightly reducing the default value of 992. The value of MC_SERVICES_P6 must always be equal to or greater than the result of the following calculations:

1. Select the larger of SCS_MAXMSG and SCS_MAXDG.
2. Round that value up to the next quadword.

The value of MC_SERVICES_P6 must be the same on all nodes connected by MEMORY CHANNEL.

MC_SERVICES_P7 (D)

(Alpha only) MC_SERVICES_P7 specifies whether to suppress or display messages about MEMORY CHANNEL activities on this node. This parameter can be set to a value of 0, 1, or 2:

- A value of 0 indicates nonverbose mode: no informational messages appear on the console or in the error log.
- A value of 1 indicates verbose mode: informational messages from both MCDRIVER and PMDRIVER appear on the console and in the error log.
- A value of 2 provides the same output as a value of 1, with the addition of PMDRIVER stalling and recovery messages.

The default value is 0. HP recommends that this value not be changed except while debugging MEMORY CHANNEL problems or adjusting the MC_SERVICES_P9 parameter.

MC_SERVICES_P8

(Alpha only) MC_SERVICES_P8 is reserved for HP use only and must remain at the default value of 0. The value must be the same on all nodes connected by MEMORY CHANNEL.

MC_SERVICES_P9

(Alpha only) MC_SERVICES_P9 specifies the number of initial entries in a single channel's free queue. The maximum value is 2048, and the minimum value is 10.

Note that MC_SERVICES_P9 is not a dynamic parameter; you must reboot the system after each change for that change to take effect.

The default value is 150. HP recommends that this value not be changed.

The value of MC_SERVICES_P9 must be the same on all nodes connected by MEMORY CHANNEL.

MINCLASSPRI (D)

If class scheduling is enabled, MINCLASSPRI sets the minimum range in the priority range of class-scheduled processes.

This special parameter is used by HP and is subject to change. Do not change this parameter unless HP recommends that you do so.

MINWSCNT (A)

The value specified by MINWSCNT is added to the size of the process header to establish the minimum working set size.

On VAX systems, MINWSCNT sets the minimum number of fluid pages (pages not locked in the working set) required for the execution of a process. The value of MINWSCNT must provide sufficient space to execute any VAX instruction. Theoretically, the longest instruction requires 52 pages; however, all code can run with 20 fluid pages. An insufficient value may inhibit system performance or even put a process into an infinite loop on some instructions.

On Alpha systems, MINWSCNT sets the minimum number of pages required for the execution of a process. The default value is 20; the minimum value is 10.

MMG_CTLFLAGS (A,D)

MMG_CTLFLAGS is a bit mask used to enable and disable proactive memory reclamation mechanisms. Beginning with OpenVMS Version 7.2, you can control when memory is tested. This helps reduce the time between when you turn on the system and when you log in to an AlphaServer 4100 computer. Bit 2 in the parameter controls deferred memory testing.

The following bit mask values are defined:

Bit	Description
0	Reclamation enabled by trimming from periodically executing, but otherwise idle processes. This occurs when the size of the free list drops below two times FREEGOAL.
1	Reclamation enabled by outswapping processes that have been idle for longer than LONGWAIT seconds. This occurs when the size of the free list drops below FREELIM.
2	Controls deferred memory testing: <ul style="list-style-type: none"> • If the bit is clear (the default), OpenVMS tests memory in the background and not necessarily before the bootstrap process has completed. • If the bit is set, all memory is tested by the end of EXEC_INIT in the system bootstrap process (that is, before IPL is lowered from 31).
3-7	Reserved for future use.

MPDEV_AFB_INTVL

(Alpha only) MPDEV_AFB_INTVL specifies the automatic failback interval in seconds. The automatic failback interval is the minimum number of seconds that must elapse before the system attempts another failback from an MSCP path to a direct path on the same device.

MPDEV_POLLER must be set to ON to enable automatic failback. You can disable automatic failback without disabling the poller by setting MPDEV_AFB_INTVL to 0. The default is 300 seconds.

MPDEV_D*

(Alpha only) MPDEV_D1 through MPDEV_D4 are reserved for use by the operating system.

System Parameters

C.2 Parameter Descriptions

MPDEV_ENABLE

(Alpha only) **MPDEV_ENABLE** enables the formation of multipath sets when set to ON (1). If **MPDEV_ENABLE** is set to OFF (0), the formation of additional multipath sets and the addition of new paths to existing multipath sets are disabled. However, existing multipath sets remain in effect. The default is ON.

MPDEV_REMOTE and **MPDEV_AFB_INTVL** have no effect when **MPDEV_ENABLE** is set to OFF.

MPDEV_LCRETRIES

(Alpha only) **MPDEV_LCRETRIES** controls the number of times the system retries the direct paths to the controller that the logical unit is online to, before moving on to direct paths to the other controller, or to an MSCP served path to the device. The valid range for retries is 1 through 256. The default is 1.

MPDEV_POLLER

(Alpha only) **MPDEV_POLLER** enables polling of the paths to multipath set members when set to ON (1). Polling allows early detection of errors on inactive paths. If a path becomes unavailable or returns to service, the system manager is notified with an OPCOM message. When set to OFF (0), multipath polling is disabled. The default is ON. Note that this parameter must be set to ON to use the automatic failback feature.

MPDEV_REMOTE

(Alpha only) **MPDEV_REMOTE** enables MSCP served paths to become members of a multipath set when set to ON (1). When set to OFF (0), only local paths to a SCSI or Fibre Channel device is used in the formation of additional multipath sets. However, setting this parameter to OFF does not have any effect on existing multipath sets that have remote paths.

To use multipath failover to a served path, **MPDEV_REMOTE** must be enabled on all systems that have direct access to shared SCSI/Fibre Channel devices. The first release to provide this feature is OpenVMS Alpha Version 7.3–1. Therefore, all nodes on which **MPDEV_REMOTE** is enabled must be running OpenVMS Alpha Version 7.3–1 (or later).

If **MPDEV_ENABLE** is set to OFF (0), the setting of **MPDEV_REMOTE** has no effect because the addition of all new paths to multipath sets is disabled. The default is ON.

MPW_HILIMIT (A,G)

MPW_HILIMIT sets an upper limit for the modified-page list. When the list accumulates the number of pages specified by this limit, writing of the list begins. The pages that are written are then transferred to the free-page list.

If **MPW_HILIMIT** is too low, excessive page faulting can occur from the page file. If it is too high, too many physical pages can be consumed by the modified-page list.

If you increase **MPW_HILIMIT**, you might also need to increase **MPW_WAITLIMIT**. Note that if **MPW_WAITLIMIT** is less than **MPW_HILIMIT**, a system deadlock occurs. The values for the two parameters are usually equal.

MPW_IOLIMIT (A on Alpha)

MPW_IOLIMIT specifies the number of outstanding I/Os to the modified-page writer.

System Parameters

C.2 Parameter Descriptions

MPW_LOLIMIT (A,G)

MPW_LOLIMIT sets a lower limit for the modified-page list. When writing of the list causes the number of pages on the list to drop to or below this limit, writing stops.

MPW_LOLIMIT ensures that a certain number of pages are available on the modified-page list for page faults. If the number is too small, the caching effectiveness of the modified-page list is reduced. If it is too high, less memory is available for processes, so that swap (and page) may increase.

MPW_LOWAITLIMIT (A,D)

MPW_LOWAITLIMIT specifies the threshold at which processes in the miscellaneous wait state MPWBUSY are allowed to resume. MPW_LOWAITLIMIT increases system performance for fast processors with large memories by reducing the amount of time processes spend in the MPWBUSY wait state.

MPW_PRIO

MPW_PRIO sets the priority of I/O transfers initiated by the modified page writer. The maximum value is 31, the minimum is 0, and the default is 4.

This special parameter is used by HP and is subject to change. Do not change this parameter unless HP recommends that you do so.

MPW_THRESH (A on Alpha,D)

MPW_THRESH sets a lower bound of pages that must exist on the modified-page list before the swapper writes this list to acquire free pages. If this requirement is met, the swapper tries to write the modified-page list rather than taking pages away from or swapping out a process.

MPW_WAITLIMIT (A,D)

MPW_WAITLIMIT sets the number of pages on the modified-page list that causes a process to wait until the next time the modified-page writer writes the modified list. This parameter limits the rate at which any single process can produce modified pages. If this value is less than MPW_HILIMIT, a system deadlock occurs. The value for this parameter is normally equal to MPW_HILIMIT.

MPW_WRTCLUSTER (A,G)

MPW_WRTCLUSTER sets the number of pages to be written during one I/O operation from the modified-page list to the page file or a section file. The actual size of the cluster may be limited by the number of pages available for the I/O operation. This parameter can range in value from 16 to 120, in multiples of 8. Each page in the cluster requires 6 bytes of permanently resident memory.

If MPW_WRTCLUSTER is too small, it takes many I/O operations to empty the modified-page list. If MPW_WRTCLUSTER is too large for the speed of the disk that holds the page file, other I/O operations are held up for the modified-page list write.

On VAX systems, the MPW_WRTCLUSTER default value and maximum value is 120 512-byte pages; its minimum value is 16 512-byte pages.

On Alpha systems, the MPW_WRTCLUSTER default value is 64 8192-byte pages; its maximum value is 512 8192-byte pages; and its minimum value is 16 8192-byte pages.

System Parameters

C.2 Parameter Descriptions

MSCP_BUFFER (A,F)

This buffer area is the space used by the server to transfer data between client systems and local disks.

On VAX systems, MSCP_BUFFER specifies the number of pages to be allocated to the MSCP server's local buffer area.

On Alpha systems, MSCP_BUFFER specifies the number of pagelets to be allocated to the MSCP server's local buffer area.

MSCP_CMD_TMO (D)

MSCP_CMD_TMO is the time in seconds that the OpenVMS MSCP server uses to detect MSCP command timeouts. The MSCP Server must complete the command within a built-in time of approximately 40 seconds plus the value of the MSCP_CMD_TMO parameter.

The MSCP_CMD_TMO default value of 0 is normally adequate. A value of 0 provides the same behavior as in previous releases of OpenVMS (which did not have an MSCP_CMD_TMO system parameter). A nonzero setting increases the amount of time before an MSCP command times out.

If command timeout errors are being logged on client nodes, setting the parameter to a nonzero value on OpenVMS servers reduces the number of errors logged. Increasing the value of this parameter reduces the numb client MSCP command timeouts and increases the time it takes to detect faulty devices.

If you need to decrease the number of command timeout errors, HP recommends that you set an initial value of 60. If timeout errors continue to be logged, you can increase this value in increments of 20 seconds.

MSCP_CREDITS

MSCP_CREDITS specifies the number of outstanding I/O requests that can be active from one client system.

The default value is currently 32. Unless a system has very constrained memory available, HP recommends that these values not be increased.

MSCP_LOAD (A)

MSCP_LOAD controls the loading of the MSCP server during a system boot. Specify one of the following values:

Value	Description
0	Do not load the MSCP server. This is the default value.
1	Load the MSCP server and serve disks as specified by the MSCP_SERVE_ALL parameter.

MSCP_SERVE_ALL

MSCP_SERVE_ALL is a bit mask that controls disk serving in an OpenVMS Cluster. A disk is served regardless of its allocation class unless bit 3 has a value of 1.

Starting with OpenVMS Version 7.2, the serving types are implemented as a bit mask. To specify the type of serving your system will perform, locate the type you want in the following table and specify its value. For some systems, you may want to specify two serving types, such as serving the system disk and serving locally attached disks. To specify such a combination, add the values of each type, and specify the sum.

System Parameters

C.2 Parameter Descriptions

In a mixed-version cluster that includes any systems running OpenVMS Version 7.1-*x* or earlier, serving all available disks is restricted to serving all disks except those whose allocation class does not match the system's node allocation class (pre-Version 7.2). To specify this type of serving, use the value 9 (which sets bit 0 and bit 3).

The following table describes the serving type controlled by each bit and its decimal value:

Bit and Value When Set	Description
Bit 0 (1)	Serve all available disks (locally attached and those connected to HS <i>x</i> and DSSI controllers). Disks with allocation classes that differ from the system's allocation class (set by the ALLOCLASS parameter) are also served if bit 3 is not set.
Bit 1 (2)	Serve locally attached (non-HS <i>x</i> and DSSI) disks.
Bit 2 (4)	Serve the system disk. This is the default setting. This setting is important when other nodes in the cluster rely on this system being able to serve its system disk. This setting prevents obscure contention problems that can occur when a system attempts to complete I/O to a remote system disk whose system has failed.
Bit 3 (8)	<p>Restrict the serving specified by bit 0. All disks except those with allocation classes that differ from the system's allocation class (set by the ALLOCLASS parameter) are served.</p> <p>This is pre-Version 7.2 behavior. If your cluster includes systems running OpenVMS 7.1-<i>x</i> or earlier, and you want to serve all available disks, you must specify 9, the result of setting this bit and bit 0.</p>

Although the serving types are now implemented as a bit mask, the values of 0, 1, and 2, specified by bit 0 and bit 1, retain their original meanings:

- 0 — Do not serve any disks (the default for earlier versions of OpenVMS).
- 1 — Serve all available disks.
- 2 — Serve only locally attached (non-HS*x* and non-DSSI) disks.

If the MSCP_LOAD system parameter is 0, MSCP_SERVE_ALL is ignored.

MULTIPROCESSING

MULTIPROCESSING controls the loading of the system synchronization image.

Specify one of the following values:

Value	Description
0	Load the uniprocessing synchronization image SYSTEM_SYNCHRONIZATION_UNI.EXE.
1	If the CPU type is capable of SMP and two or more CPUs are present on the system, load the full-checking multiprocessing synchronization image SYSTEM_SYNCHRONIZATION.EXE. Otherwise, load the uniprocessing synchronization image SYSTEM_SYNCHRONIZATION_UNI.EXE.
2	Always load the full-checking version SYSTEM_SYNCHRONIZATION.EXE, regardless of system configuration or CPU availability.

System Parameters

C.2 Parameter Descriptions

Value	Description
3	<p>If the CPU type is capable of SMP and two or more CPUs are present on the system, load the optimized streamlined multiprocessing image:</p> <ul style="list-style-type: none"> • On VAX systems, this image is SYSTEM_SYNCHRONIZATION_SPC.EXE. • On Alpha systems, this image is SYSTEM_SYNCHRONIZATION_MIN.EXE. <p>Otherwise, load the uniprocessing synchronization image SYSTEM_SYNCHRONIZATION_UNI.EXE. The default value is 3.</p>
4	<p>Always load the streamlined multiprocessing image SYSTEM_SYNCHRONIZATION_MIN.EXE, regardless of system configuration or CPU availability.</p>

Setting the SYSTEM_CHECK parameter to 1 has the effect of setting MULTIPROCESSING to 2.

MULTITHREAD (A)

MULTITHREAD controls the availability of kernel threads functions. Specify one of the following values:

Value	Description
0	Both Thread Manager upcalls and the creation of multiple kernel threads are disabled.
1	Thread Manager upcalls are enabled; the creation of multiple kernel threads is disabled.
2-256 (Alpha only)	Both Thread Manager upcalls and the creation of multiple kernel threads are enabled. The number specified represents the maximum number of kernel threads that can be created for a single process.

The maximum value for MULTITHREAD is 256.

MVSUPMSG_INTVL (D)

(Alpha only) The system suppresses mount verification start and end messages for fibre channel disk devices if mount verification completes on the first attempt and if mount verification does not occur too often. MVSUPMSG_NUM and this parameter establish this limit.

The system issues a mount verification message after a sequence of MVSUPMSG_NUM mount verifications have gone unannounced on a specific fibre channel disk device within a span of MVSUPMSG_INTVL seconds.

If this parameter is zero, all mount verification messages are announced.

MVSUPMSG_NUM (D)

(Alpha only) The system suppresses mount verification start and end messages for fibre channel disk devices if mount verification completes on the first attempt and if mount verification does not occur too often. MVSUPMSG_INTVL and this parameter establish this limit.

The system issues a mount verification message after a sequence of MVSUPMSG_NUM mount verifications have gone unannounced on a specific fibre channel disk device within a span of MVSUPMSG_INTVL seconds.

If this parameter is zero, all mount verification messages are announced.

MVTIMEOUT (A on Alpha,D)

MVTIMEOUT is the time in seconds that a mount verification attempt continues on a given disk volume. If the mount verification does not recover the volume within that time, the I/O operations outstanding to the volume terminate abnormally.

NET_CALLOUTS (D)

NET_CALLOUTS is normally set to 0. A value of 255 indicates that no attempt is to be made to assign a new proxy connection to an active server, but that a new process must be started to invoke the installation security policy callout modules in LOGINOUT.EXE. Values 1 through 254 are reserved for future use.

NISCS_CONV_BOOT

NISCS_CONV_BOOT controls whether a conversational boot is permitted during a remote system boot. The default value of 0 specifies that conversational boots are not permitted.

NISCS_LAN_OVRHD

Beginning in OpenVMS Version 7.3, this parameter is obsolete.

NISCS_LOAD_PEA0

NISCS_LOAD_PEA0 controls whether the NI-SCS port driver PEDRIVER is loaded during system boot. The default of 0 specifies that the PEDRIVER is not loaded.

NISCS_MAX_PKTSZ (A on Alpha)

This parameter specifies an upper limit on the size, in bytes, of the user data area in the largest packet sent by NISCA on any local area network (LAN).

NISCS_MAX_PKTSZ allows the system manager to change the packet size used for cluster communications on network communication paths. PEDRIVER automatically allocates memory to support the largest packet size that is usable by any virtual circuit connected to the system up to the limit set by this parameter. Its default values are different for OpenVMS Alpha and OpenVMS VAX:

- On Alpha, to optimize performance, the default value is the largest packet size currently supported by OpenVMS.
- On VAX, to conserve memory, the default value is the Ethernet packet size.

PEDRIVER uses NISCS_MAX_PKTSZ to compute the maximum amount of data to transmit in any LAN packet:

```
LAN packet size <= LAN header (padded Ethernet format)
                    + NISCS_MAX_PKTSZ
                    + NISCS_checksum (only if data checking
                                      is enabled)
                    + LAN CRC or FCS
```

The actual packet size automatically used by PEDRIVER might be smaller than the NISCS_MAX_PKTSZ limit for any of the following reasons:

- On a per-LAN path basis, if PEdriver determines that the LAN path between two nodes, including the local and remote LAN adapters and intervening LAN equipment, can only convey a lesser size.

System Parameters

C.2 Parameter Descriptions

In other words, only nodes with large-packet LAN adapters connected end-to-end by large-packet LAN equipment can use large packets. Nodes connected to large-packet LANs but having an end-to-end path that involves an Ethernet segment restrict packet size to that of an Ethernet packet (1498 bytes).

- For performance reasons, PEDRIVER might further limit the upper bound on packet size so that the packets can be allocated from a lookaside list in the nonpaged pool.

The actual memory allocation includes the required data structure overhead used by PEDRIVER and the LAN drivers, in addition to the actual LAN packet size.

The following table shows the minimum NISCS_MAX_PKT SZ value required to use the maximum packet size supported by specified LAN types:

Type of LAN	Minimum Value for NISCS_MAX_PKT SZ
Ethernet	1498
FDDI	4468
Gigabit Ethernet	7532
ATM	7606

NISCS_PORT_SERV (A)

NISCS_PORT_SERV provides flag bits for PEDRIVER port services. Setting bits 0 and 1 (decimal value 3) enables data checking. The remaining bits are reserved for future use.

Starting with OpenVMS Version 7.3-1, you can use the SCACP command SET VC/CHECKSUMMING to specify data checking on the VCs to certain nodes. You can do this on a running system. (Refer to the SCACP documentation in this manual for more information.)

Changing the setting of NISCS_PORT_SERV, on the other hand, requires a reboot. Furthermore, this parameter applies to all virtual circuits between the node on which it is set and other nodes in the cluster.

NJOBLIM (D)

NJOBLIM establishes the limit for network jobs. The maximum number of jobs is 1024. The minimum is 0, and the default is 16.

NOAUTOCONFIG (D)

NOAUTOCONFIG controls whether all devices are automatically configured when the system boots. The default value of 0 sets the system to automatically configure all devices. Set NOAUTOCONFIG to 1 (no automatic configuration) *only* for debugging purposes.

This special parameter is used by HP and is subject to change. Do not change this parameter unless HP recommends that you do so.

NOCLUSTER

NOCLUSTER controls whether page read clustering is inhibited when the system boots. Set NOCLUSTER to 1 (inhibit page read clustering) *only* for debugging purposes.

This special parameter is used by HP and is subject to change. Do not change this parameter unless HP recommends that you do so.

NOPGFLSWP

If enabled, NOPGFLSWP disables swapping into page files.

This special parameter is used by HP and is subject to change. Do not change this parameter unless HP recommends that you do so.

NPAGECALC

NPAGECALC controls whether the system automatically calculates the initial size for nonpaged dynamic memory.

HP sets the default value of NPAGECALC to 1 only during the initial boot after an installation or upgrade. When the value of NPAGECALC is 1, the system calculates an initial value for the NPAGEVIR and NPAGEDYN system parameters. This calculated value is based on the amount of physical memory in the system.

NPAGECALC's calculations do not reduce the values of NPAGEVIR and NPAGEDYN from the values you see or set at the SYSBOOT prompt. However, NPAGECALC's calculation might increase these values.

AUTOGEN sets NPAGECALC to 0. NPAGECALC should always remain 0 after AUTOGEN has determined more refined values for the NPAGEDYN and NPAGEVIR system parameters.

NPAGEDYN (A,F,G,M)

NPAGEDYN sets the size of the nonpaged dynamic pool in bytes. This figure is rounded down to an integral number of pages. NPAGEDYN establishes the initial setting of the nonpaged pool size, but the pool size can be increased dynamically.

To set a value for this parameter, use AUTOGEN initially, and then monitor the amount of space actually used with the DCL command SHOW MEMORY/POOL/FULL.

For the benefit of OpenVMS VAX systems with limited physical memory, AUTOGEN logs a warning message in its report if NPAGEDYN exceeds 10 percent of physical memory or if NPAGEVIR exceeds 33 percent of physical memory.

AUTOGEN also limits its own calculated value for NPAGEDYN to 20 percent of physical memory and limits NPAGEVIR to 50 percent of physical memory. These calculated values are adequate for most workstations and systems with 16 or fewer megabytes of physical memory. If your system requires a larger value, you can override the AUTOGEN calculated values by setting higher values in MODPARAMS.DAT.

NPAGERAD (G)

(Alpha only) NPAGERAD specifies the total number of bytes of nonpaged pool that will be allocated for Resource Affinity Domains (RADs) other than the base RAD. For platforms that have no RADs, NPAGERAD is ignored. Notice that NPAGEDYN specifies the total amount of nonpaged pool for all RADs.

Also notice that the OpenVMS system might round the specified values higher to an even number of pages for each RAD, which prevents the base RAD from having too little nonpaged pool. For example, if the hardware is an AlphaServer GS160 with 4 RADs:

NPAGEDYN = 6291456 bytes
NPAGERAD = 2097152 bytes

System Parameters

C.2 Parameter Descriptions

In this case, the OpenVMS system allocates a total of approximately 6,291,456 bytes of nonpaged pool. Of this amount, the system divides 2,097,152 bytes among the RADs that are not the base RAD. The system then assigns the remaining 4,194,304 bytes to the base RAD.

Note

The system actually rounds up to an even number of pages on each RAD. In addition, the base RAD is never assigned a value less than the smaller of the value of NPAGEDYN and 4 megabytes.

On AlphaServer GS series processors on OpenVMS systems prior to Version 7.3-1, system managers frequently saw pool expansion that increasing NPAGEDYN did not reduce. This problem was caused by leaving NPAGERAD at its default value of 0.

Starting in OpenVMS Version 7.3-1, when NPAGERAD is 0 (the default), the system calculates a value to use for NPAGERAD with the following formula:

$$\text{NPAGEDYN} * \left(1 - \frac{\text{Base RAD memory}}{\text{Total memory}} \right)$$

This calculation gives more pool to the non-base RADs than before and, therefore, reduces the expansion of non-base RADs.

NPAGEVIR (A, G)

NPAGEVIR defines the maximum size to which NPAGEDYN can be increased. If this value is too small, the system can hang. If NPAGEVIR is too large, the result is a penalty of 4 bytes per extra page on VAX and 8 bytes per extra page on Alpha.

For the benefit of OpenVMS VAX systems with limited physical memory, AUTOGEN logs a warning message in its report if NPAGEDYN exceeds 10 percent of physical memory or if NPAGEVIR exceeds 33 percent of physical memory.

AUTOGEN also limits its own calculated value for NPAGEDYN to 20 percent of physical memory, and limits NPAGEVIR to 50 percent of physical memory. These calculated values are adequate for most workstations and systems with 16 or fewer megabytes of physical memory. If your system requires a larger value, you can override the AUTOGEN calculated values by setting higher values in MODPARAMS.DAT.

NPAG_AGGRESSIVE (D)

(Alpha only) NPAG_AGGRESSIVE is the percentage of packets on a nonpaged pool lookaside list that remain after the list is trimmed during aggressive reclamation.

NPAG_BAP_MAX

(Alpha only) NPAG_BAP_MAX is the size in bytes of the bus addressable pool (BAP) that the system creates under normal circumstances.

See also NPAG_BAP_MIN.

NPAG_BAP_MAX_PA

(Alpha only) NPAG_BAP_MAX_PA is the highest physical address in megabytes that is allowed in bus addressable pool (BAP).

System Parameters

C.2 Parameter Descriptions

NPAG_BAP_MIN

(Alpha only) NPAG_BAP_MIN is the size in bytes of the bus addressable pool (BAP) that the system creates when memory resources are unusually constrained.

NPAG_BAP_MIN_PA

(Alpha only) NPAG_BAP_MIN_PA specifies the lowest physical address in megabytes that is allowed in bus addressable pool (BAP).

NPAG_GENTLE (D)

(Alpha only) NPAG_GENTLE is the percentage of packets on a nonpaged pool lookaside list remaining after the list is trimmed during gentle reclamation.

NPAG_INTERVAL (D)

(Alpha only) NPAG_INTERVAL is the number of seconds between passes of nonpaged pool gentle reclamation.

NPAG_RING_SIZE

(Alpha only) NPAG_RING_SIZE represents the number of entries in the ring buffer.

PAGEDYN (A,F,G,M)

PAGEDYN sets the size of the paged dynamic pool in bytes. The specified value is rounded down to an integral number of pages. Each page of paged dynamic pool adds 8 bytes of permanently resident memory to the system page table; the paged dynamic pool has no other direct memory requirements.

The paged dynamic pool is used to allocate storage for shared logical names, resident image headers, known file list entries, and RMS file-sharing structures. Substantial amounts of space for the pool can be overallocated with little effect on system performance.

The size of the paged pool can grow dynamically up to the maximum size that this parameter specifies.

PAGFILCNT (G)

On VAX systems, PAGFILCNT defines the maximum number of page files that can be installed. On Alpha systems, beginning in OpenVMS Version 7.3, this parameter is obsolete.

PAGTBLPFC

PAGTBLPFC specifies (in pages) the maximum number of page tables to read to satisfy a fault for a nonresident page table.

This special parameter is used by HP and is subject to change. Do not change this parameter unless HP recommends that you do so.

PAMAXPORT (D)

PAMAXPORT specifies the maximum port number to be polled on each CI and DSSI. The CI and DSSI port drivers poll to discover newly initialized ports or the absence/failure of previously responding remote ports.

A system does not detect the existence of ports whose port numbers are higher than this parameter's value. Thus, set this parameter to a value that is equal to or greater than the highest port number being used on any CI or DSSI connected to the system.

System Parameters

C.2 Parameter Descriptions

You can decrease this parameter to reduce polling activity if the hardware configuration has fewer than 16 ports. For example, if the CI or DSSI with the largest configuration has a total of 5 ports assigned to port numbers 0 through 4, you could set PAMAXPORT to 4.

If CI or DSSI devices are not configured on your system, this parameter is ignored.

The default for this parameter is 15 (poll for all possible ports 0 through 15). HP recommends that you set this parameter to the same value on each cluster computer.

PANOPOLL (D)

Disables CI and DSSI polling for ports if set to 1. (The default is 0.) When PANOPOLL is set, a computer does not discover that another computer has shut down or powered down promptly and does not discover a new computer that has booted. This parameter is useful when you want to bring up a computer detached from the rest of the cluster for checkout purposes.

PANOPOLL is functionally equivalent to uncabling the system from the DSSI or star coupler. This parameter does not affect OpenVMS Cluster communications by LAN.

The default value of 0 is the normal setting and is required if you are booting from an HSC controller or if your system is joining an OpenVMS Cluster. This parameter is ignored if no CI or DSSI devices are configured on your system.

PANUMPOLL (D)

PANUMPOLL establishes the number of CI and DSSI ports to be polled each polling interval. The normal setting for PANUMPOLL is 16.

On systems with less powerful CPUs, the parameter may be useful in applications sensitive to the amount of contiguous time that the system spends at IPL 8. Reducing PANUMPOLL reduces the amount of time spent at IPL 8 during each polling interval, while increasing the number of polling intervals needed to discover new or failed ports.

If CI or DSSI devices are not configured on your system, this parameter is ignored.

PAPOLLINTERVAL (D)

Specifies, in seconds, the polling interval the CI port driver uses to poll for a newly booted computer, a broken port-to-port virtual circuit, or a failed remote computer.

This parameter trades polling overhead against quick response to virtual circuit failures. HP recommends that you use the default value for this parameter.

HP recommends that you set this parameter to the same value on each cluster computer.

PAPOOLINTERVAL (D)

Specifies, in seconds, the interval at which the port driver checks available nonpaged pool after a pool allocation failure.

This parameter trades faster response to pool allocation failures against increased polling overhead. HP recommends that you use the default value for this parameter.

System Parameters

C.2 Parameter Descriptions

If CI or DSSI devices are not configured on your system, this parameter is ignored.

PASANITY (D)

PASANITY controls whether the CI and DSSI port sanity timers are enabled to permit remote systems to detect a system that has been hung at IPL 8 or above for 100 seconds. It also controls whether virtual circuit checking gets enabled on the local system. The TIMVCFAIL parameter controls the time (1-99 seconds).

PASANITY is normally set to 1 and should be set to 0 only when you are debugging with XDELTA or planning to halt the CPU for periods of 100 seconds or more.

PASANITY is only semidynamic. A new value of PASANITY takes effect on the next CI or DSSI port reinitialization.

If CI or DSSI devices are not configured on your system, this parameter is ignored.

PASTDGBUF (A)

The number of datagram receive buffers to queue initially for the cluster port driver's configuration poller. The initial value is expanded during system operation, if needed.

Memory Channel devices ignore this parameter.

PASTIMOUT (D)

The basic interval at which the CI port driver wakes up to perform time-based bookkeeping operations. It is also the period after which a timeout is declared if no response to a start handshake datagram has been received.

If CI or DSSI devices are not configured on your system, this parameter is ignored.

The default value should always be adequate.

PE*

PE1, PE2, PE3, PE4, PE5, PE6 are reserved for HP use only. These parameters are for cluster algorithms and their usages can change from release to release. HP recommends using the default values for these special parameters.

PFCDEFAULT (A,D)

On VAX systems during execution of programs, PFCDEFAULT controls the number of image pages read from disk per I/O operation when a page fault occurs. The PFCDEFAULT maximum default value is 127 512-byte pages.

On Alpha systems during execution of programs, PFCDEFAULT controls the number of image pagelets read from disk per I/O operation when a page fault occurs. The PFCDEFAULT maximum default value is 2032 512-byte pagelets (127 8192-byte Alpha pages).

The read I/O operations can take place from an image file or from the page file. The actual size of the cluster can be less than PFCDEFAULT, depending on the size of image sections and the pattern of page references.

The value should not be greater than one-fourth the default size of the average working set to prevent a single page fault from displacing a major portion of a working set. Too large a value for PFCDEFAULT can hurt system performance. PFCDEFAULT can be overridden on an image-by-image basis with the CLUSTER option of the OpenVMS linker.

System Parameters

C.2 Parameter Descriptions

PFN_COLOR_COUNT

(Alpha only) PFN_COLOR_COUNT specifies the number of buckets (colors) into which all members of the zeroed page list and all unencumbered members of the free page list are sorted. OpenVMS Alpha systems might derive a preferred page color from a request to map a given virtual page and attempt to map that virtual page to a PFN of matching “color.” This results in less variance in which cache blocks are used when accessing that page. This might or might not improve performance, depending on the application.

This special parameter is used by HP and is subject to change. Do not change this parameter unless HP recommends that you do so. If you increase this parameter, you must also increase the ZERO_LIST_HI system parameter.

PFRATH (A on Alpha,D,M)

PFRATH specifies the page fault rate above which the limit of a working set is automatically increased. The unit of measure is the number of faults per 10 seconds of processor time. At a setting of 120, for example, the system automatically increases the limit of a working set if it is faulting more than 120 pages per 10 seconds. Decreasing the value of this parameter tends to increase the limits of the working sets, while increasing its value tends to decrease their limits.

On VAX systems, the default value is 120 page faults every 10 seconds.

On Alpha systems, the default value is 8 page faults every 10 seconds.

PFRATL (A,D,M)

PFRATL specifies the page fault rate below which the limit of a working set is automatically decreased. The unit of measure is the number of faults per 10 seconds of processor time. At a setting of 1, for example, the system automatically decreases the limit of a working set if it is faulting less than 1 page every 10 seconds.

Increasing the value of this parameter tends to decrease the limits of the working sets, while decreasing its value tends to increase their limits.

PHYSICAL_MEMORY (A)

(Alpha only) PHYSICAL_MEMORY specifies the amount of physical memory available for use. The default setting is -1, which equates to all memory in the system. Decreasing this parameter allows you to test smaller configurations of memory without having to remove memory boards.

This special parameter is used by HP and is subject to change. Do not change this parameter unless HP recommends that you do so.

PHYSICALPAGES (A)

(VAX only) PHYSICALPAGES sets the maximum number of physical pages of memory to be used on the system. Decreasing this parameter allows you to test smaller configurations of memory without the need to remove memory boards.

This special parameter is used by HP and is subject to change. Do not change this parameter unless HP recommends that you do so.

PIOPAGES (A,D)

PIOPAGES specifies the size of the process I/O segment, which holds data structures and buffer pool space for RMS to use when it handles I/O that involves process-permanent files. Once PIOPAGES is reset in SYSGEN, any new process receives the changed value.

System Parameters

C.2 Parameter Descriptions

Beginning with OpenVMS Version 7.2, the default value has been raised to 575. The setting has been raised to accommodate the increased demands for process-permanent memory that result from changes made to RMS file-naming parsing in Version 7.2.

This special parameter is used by HP and is subject to change. Do not change this parameter unless HP recommends that you do so.

PIXSCAN (A,D)

PIXSCAN specifies the number of process index slots scanned each second for computable or computable-outswapped processes. These processes receive an automatic priority boost for 1 quantum, unless the priority of the currently executing process is greater than 15. The priority boost is done to avoid potential deadlocks on the system.

This special parameter is used by HP and is subject to change. Do not change this parameter unless HP recommends that you do so.

POOLCHECK (D)

This special parameter is used by HP and is subject to change. Do not change this parameter unless HP recommends that you do so.

POOLCHECK is used to investigate frequent and inexplicable failures in a system. When POOLCHECK is enabled, pool-checking routines execute whenever pool is deallocated or allocated.

Two loadable forms of SYSTEM_PRIMITIVES.EXE are available at boot time. The default image, which contains no pool-checking code and no statistics maintenance, is loaded when POOLCHECK is set to zero. When POOLCHECK is set to a nonzero value, the monitoring version of SYSTEM_PRIMITIVES.EXE, which contains both pool-checking code and statistics maintenance, is loaded.

Setting the SYSTEM_CHECK parameter to 1 has the effect of setting POOLCHECK to %X616400FF. For further information about pool checking, refer to the *OpenVMS VAX Device Support Manual* (archived but available on the OpenVMS Documentation CD-ROM).

POOLCHECK is a DYNAMIC parameter. However, for a change in its value to have any effect, POOLCHECK must be non-0 at boot time (to load the monitoring version of SYSTEM_PRIMITIVES.EXE).

POOLPAGING

POOLPAGING enables (1) paging of pageable dynamic pool.

This special parameter is used by HP and is subject to change. Do not change this parameter unless HP recommends that you do so.

POWEROFF (D)

POWEROFF enables or disables software requests to the console firmware to remove power from the system. This parameter should normally be turned ON (1) to allow software to make power-off requests. However, POWEROFF can be set to OFF (0) to disable software power-off requests.

If firmware or hardware support for the power-off request is not implemented, the shut-down procedure will leave the system halted but fully powered.

System Parameters

C.2 Parameter Descriptions

PQL_DASTLM (D,G)

PQL_DASTLM sets the default limit on the number of pending ASTs for a process created by the Create Process (\$CREPRC) system service or the DCL command RUN (Process).

PQL_DBIOLM (D,G)

PQL_DBIOLM sets the default buffered I/O count limit for the number of outstanding buffered I/O operations permitted to a process created by the Create Process (\$CREPRC) system service or the DCL command RUN (Process).

PQL_DBYTLM (D,G)

PQL_DBYTLM sets the default buffered I/O byte count limit for the amount of buffered space available to a process created by the Create Process (\$CREPRC) system service or the DCL command RUN (Process).

PQL_DCPULM (D,G)

PQL_DCPULM sets the default CPU time limit for a process created by the Create Process (\$CREPRC) system service or the DCL command RUN (Process). PQL_DCPULM specifies the time limit in increments of 10 milliseconds.

The default value of 0 imposes no limit on CPU time usage and is typically the correct value for this parameter.

PQL_DDIOLM (D,G)

PQL_DDIOLM sets the default direct I/O limit for a process created by the Create Process (\$CREPRC) system service or the DCL command RUN (Process).

PQL_DENQLM (D,G)

PQL_DENQLM sets the default enqueue limit for a process created by the Create Process (\$CREPRC) system service or the DCL command RUN (Process).

PQL_DFILLM (D,G)

PQL_DFILLM sets the default open file limit for a process created by the Create Process (\$CREPRC) system service or the DCL command RUN (Process).

PQL_DJTQUOTA (D)

PQL_DJTQUOTA sets the default job table byte count quota for a process created by the Create Process (\$CREPRC) system service or the DCL command RUN (Process). PQL_DJTQUOTA specifies the number of bytes of paged pool allocated to the job table. The default value is usually adequate, unless a large number of job logical names or temporary mailboxes are used.

PQL_DPGFLQUOTA (A on VAX,D,G)

PQL_DPGFLQUOTA sets the default page file quota for a process created by the Create Process (\$CREPRC) system service or the DCL command RUN (Process). HP recommends that this parameter not be smaller than the PQL_DWSEXTENT parameter.

PQL_DPRCLM (D,G)

PQL_DPRCLM sets the default subprocess limit for a process created by the Create Process (\$CREPRC) system service or the DCL command RUN (Process).

PQL_DTQELM (D,G)

PQL_DTQELM sets the default number of timer queue entries for a process created by the Create Process (\$CREPRC) system service or the DCL command RUN (Process).

System Parameters

C.2 Parameter Descriptions

PQL_DWSDEFAULT (A,G)

PQL_DWSDEFAULT sets the default working set size for a process created by the Create Process (\$CREPRC) system service or the DCL command RUN (Process).

PQL_DWSEXTENT (A,D,G)

PQL_DWSEXTENT sets the default working set extent for a process created by the Create Process (\$CREPRC) system service or the DCL command RUN (Process).

PQL_DWSQUOTA (A,D,G)

PQL_DWSQUOTA sets the default working set quota for a process created by the Create Process (\$CREPRC) system service or the DCL command RUN (Process).

PQL_MASTLM (D,G)

PQL_MASTLM sets a default limit on the minimum number of pending ASTs for a process created by the Create Process (\$CREPRC) system service or the DCL command RUN (Process).

PQL_MBIOLM (D,G)

PQL_MBIOLM sets the minimum buffered I/O limit for a process created by the Create Process (\$CREPRC) system service or the DCL command RUN (Process).

PQL_MBYTLM (D,G)

PQL_MBYTLM sets the minimum buffered I/O byte limit for a process created by the Create Process (\$CREPRC) system service or the DCL command RUN (Process).

PQL_MCPULM (D,G)

PQL_MCPULM sets the minimum CPU time limit in increments of 10 milliseconds for a process created by the Create Process (\$CREPRC) system service or the DCL command RUN (Process).

PQL_MDIOLM (D,G)

PQL_MDIOLM sets the minimum direct I/O limit for a process created by the Create Process (\$CREPRC) system service or the DCL command RUN (Process).

PQL_MENQLM (D,G)

PQL_MENQLM sets the default limit on the minimum number of locks that can be queued at one time by a process created by the Create Process (\$CREPRC) system service or the DCL command RUN (Process).

PQL_MFILLM (D,G)

PQL_MFILLM sets the minimum open file limit for a process created by the Create Process (\$CREPRC) system service or the DCL command RUN (Process).

PQL_MJTQUOTA (D)

PQL_MJTQUOTA sets the minimum job table byte count quota for a process created by the Create Process (\$CREPRC) system service or the DCL command RUN (Process).

PQL_MPGFLQUOTA (A on VAX,D,G)

On VAX systems, PQL_MPGFLQUOTA sets the minimum page file quota for a process created by the Create Process (\$CREPRC) system service or the DCL command RUN (Process). HP recommends that this parameter be no smaller than PQL_MWSEXTENT.

System Parameters

C.2 Parameter Descriptions

On Alpha systems, `PQL_MPGFLQUOTA` sets the minimum pagelet file quota for a process created by the Create Process (`$CREPRC`) system service or the DCL command `RUN (Process)`.

PQL_MPRCLM (D,G)

`PQL_MPRCLM` sets the minimum subprocess limit for a process created by the Create Process (`$CREPRC`) system service or the DCL command `RUN (Process)`.

PQL_MTQELM (D,G)

`PQL_MTQELM` sets the minimum number of timer queue entries for a process created by the Create Process (`$CREPRC`) system service or the DCL command `RUN (Process)`.

PQL_MWSDEFAULT (A,G)

`PQL_MWSDEFAULT` sets the minimum default working set size for a process created by the Create Process (`$CREPRC`) system service or the DCL command `RUN (Process)`.

This value overrides a smaller quantity that is set for a user in `AUTHORIZE`.

PQL_MWSEXTENT (A,D,G)

`PQL_MWSEXTENT` sets the minimum working set extent for a process created by the Create Process (`$CREPRC`) system service or the DCL command `RUN (Process)`.

This value overrides a smaller quantity set for a user in `AUTHORIZE`.

PQL_MWSQUOTA (A,D,G)

`PQL_MWSQUOTA` sets the minimum working set quota for a process created by the Create Process (`$CREPRC`) system service or the DCL command `RUN (Process)`.

This value overrides a smaller quantity set for a user in `AUTHORIZE`.

PRCPOLINTERVAL (A on Alpha,D)

`PRCPOLINTERVAL` specifies, in seconds, the polling interval used to look for Systems Communications Services (SCS) applications, such as the connection manager and mass storage control protocol disks, on other nodes. All discovered nodes are polled during each interval.

This parameter trades polling overhead against quick recognition of new systems or servers as they appear.

PRIORITY_OFFSET

`PRIORITY_OFFSET` specifies the difference in priority required by the scheduler for one process to preempt the current process. A value of 2, for example, means that if the current process is executing at priority 1, a computable process at priority 2 or 3 is not allowed to preempt the current process. However, a priority 4 or higher process can preempt the current process. This mechanism affects only normal priority (0-15) processes. The default value is 0.

This special parameter is used by HP and is subject to change. Do not change this parameter unless HP recommends that you do so.

PROCSECTCNT (A,G)

`PROCSECTCNT` sets the number of section descriptors that a process can contain. Each section descriptor increases the fixed portion of the process header by 32 bytes.

System Parameters

C.2 Parameter Descriptions

Set a value greater than the maximum number of image sections in any section to be run, as indicated by the linkage memory allocation map for the image.

PSEUDOLOA

(VAX only) PSEUDOLOA specifies (in pages) the size of the PDA0 system image. PSEUDOLOA is used to boot standalone BACKUP from magnetic tape.

This special parameter is used by HP and is subject to change. Do not change this parameter unless HP recommends that you do so.

PU_OPTIONS

PU_OPTIONS is reserved for HP use only.

QBUS_MULT_INTR

(VAX only) QBUS_MULT_INTR enables (1) multilevel interrupt dispatching on systems that use the Q22-bus adapter. Refer to the *OpenVMS VAX Device Support Manual* for more information about the QBUS_MULT_INTR system parameter. (This manual has been archived but is available on the OpenVMS Documentation CD-ROM.)

This special parameter is used by HP and is subject to change. Do not change this parameter unless HP recommends that you do so.

QDSKINTERVAL

QDSKINTERVAL establishes, in seconds, the disk quorum polling interval. The default value is 3.

QDSKVOTES

QDSKVOTES specifies the number of votes contributed by a quorum disk in a cluster.

QUANTUM (A on Alpha,D,M)

QUANTUM defines the following:

- Processor time: maximum amount of processor time a process can receive before control passes to another process of equal priority that is ready to compute
- Balance set residency: minimum amount of service a compute-state process must receive before being swapped out to secondary storage

RAD_SUPPORT (G)

(Alpha only) RAD_SUPPORT enables RAD-aware code to be executed on systems that support Resource Affinity Domains (RADs); for example, AlphaServer GS160 systems. A RAD is a set of hardware components (CPUs, memory, and I/O) with common access characteristics.

Bits are defined in the RAD_SUPPORT parameter as follows:

RAD_SUPPORT (default is 79; bits 0-3 and 6 are set)

3	2	2	2	2	1	1		8	7		0												
1	8	7	4	3	6	5		8	7		0												
<table style="width: 100%; border-collapse: collapse; font-family: monospace;"> <tr> <td style="border-right: 1px dashed black; padding: 0 5px;">00 00</td> <td style="border-right: 1px dashed black; padding: 0 5px;">skip ss</td> <td style="border-right: 1px dashed black; padding: 0 5px;">gg ww</td> <td style="border-right: 1px dashed black; padding: 0 5px;">pp 00</td> <td style="border-right: 1px dashed black; padding: 0 5px;">00 00</td> <td style="border-right: 1px dashed black; padding: 0 5px;">00 00</td> <td style="border-right: 1px dashed black; padding: 0 5px;">0p df</td> <td style="border-right: 1px dashed black; padding: 0 5px;">cr ae</td> <td style="padding: 0 5px;"> </td> <td style="padding: 0 5px;"> </td> <td style="padding: 0 5px;"> </td> <td style="padding: 0 5px;"> </td> </tr> </table>												00 00	skip ss	gg ww	pp 00	00 00	00 00	0p df	cr ae				
00 00	skip ss	gg ww	pp 00	00 00	00 00	0p df	cr ae																

Bit 0 (e): Enable - Enables RAD support

System Parameters

C.2 Parameter Descriptions

- Bit 1 (a): Affinity - Enables Soft RAD Affinity (SRA) scheduling
Also enables the interpretation of the skip bits, 24-27.
- Bit 2 (r): Replicate - Enables system-space code replication
- Bit 3 (c): Copy - Enables copy on soft fault
- Bit 4 (f): Fault - Enables special page fault allocation
Also enables the interpretation of the allocation bits, 16-23.
- Bit 5 (d): Debug - Reserved to HP
- Bit 6 (p): Pool - Enables per-RAD non-paged pool
- Bits 7-15: - Reserved to HP
- Bits 16-23: - If bit 4 is set, bits 16-23 are interpreted as follows:
- Bits 16,17 (pp): Process = Pagefault on process (non global) pages
- Bits 18,19 (ww): Swapper = Swapper's allocation of pages for processes
- Bits 20,21 (gg): Global = Pagefault on global pages
- Bits 22,23 (ss): System = Pagefault on system space pages
- Encodings for pp, ww, gg, ss:
- Current (0) - allocate PFNs from the current CPU's RAD
- Random (1) - allocate PFNs using the "random" algorithm
- Base (2) - allocate PFNs from the operating system's "base" RAD
- Home (3) - allocate PFNs from the current process's home RAD
- If bits 16-23 are 0, the defaults for pp, ww, gg, ss are interpreted as follows:
- Process = home RAD
- Swapper = current RAD (also sets home RAD for process)
- Global = random RAD
- System = base RAD
- Bits 24-27: - If bit 1 is set, bits 24-27 are interpreted as a skip count value (power of 2). Example: If bits 24-27 contain a 3, the skip count is 8. If bits 24-27 contain a 5, the skip count is 32. If bits 24-27 are 0, the default of 16 is used as the skip count.
- Bits 28-31: - Reserved to HP

For more information about using OpenVMS RAD features, see the *OpenVMS Alpha Galaxy and Partitioning Guide*.

REALTIME_SPTS (D,G,M)

(VAX only) REALTIME_SPTS reserves a number of system page table entries for mapping connect-to-interrupt processes into system space. This value should normally remain at the default (0) in an environment that is not real-time. Where connect-to-interrupt processes do use the system, this value should represent the maximum number of pages that all concurrent connect-to-interrupt processes must map into system space. See the *OpenVMS VAX Device Support Manual* (archived but available on the OpenVMS Documentation CD-ROM).

RECNXINTERVAL (A on Alpha,D)

RECNXINTERVAL establishes the polling interval, in seconds, during which to attempt reconnection to a remote system.

RESALLOC

RESALLOC controls whether resource allocation checking is performed. The default value of 0 disables resource allocation checking.

This special parameter is used by HP and is subject to change. Do not change this parameter unless HP recommends that you do so.

RESHASHTBL (A,F,M)

RESHASHTBL defines the number of entries in the lock management resource name hash table. Each entry requires 4 bytes. A typical tuning goal is to have the RESHASHTBL parameter about four times larger than the total number of resources in use on the system. Managers of systems with memory constraints or systems that are not critically dependent on locking speed could set the table to a smaller size.

RJOBLIM (D)

RJOBLIM defines the maximum number of remote terminals allowed in the system at any one time.

RMS_CONPOLICY (D)

RMS_CONPOLICY specifies the policy to be used for dealing with high-contention write-shared files. This dynamic parameter can be used to ensure fairness between lock conversions and new lock requests.

Possible values are the following:

Value	Explanation
NEVER	(Default) Never use the higher overhead option to improve fairness for any write-shared files accessed on the system; minimal overhead.
SOMETIMES	Use this option for fairer bucket access (but higher overhead) to any write-shared files with global buffers enabled that are accessed on the system.
ALWAYS	Use this option for fairer bucket access (but higher overhead) to all write-shared files accessed on the system.

You can set this system parameter with the DCL command SET RMS_DEFAULT/SYSTEM/CONTENTION_POLICY=value and display the parameter with the DCL command SHOW RMS_DEFAULT.

RMSD* (D)

RMSD1, RMSD2, RMSD3, RMSD4, RMSD5, RMSD6, and RMSD7 are special parameters reserved for HP use.

RMS_DFLRL (D)

This special parameter is used by HP and is subject to change. Do not change this parameter unless HP recommends that you do so.

RMS_DFMBC (A,D)

RMS_DFMBC specifies a default multiblock count only for record I/O operations, where *count* is the number of blocks to be allocated for each I/O buffer.

You can set this system parameter with the DCL command SET RMS_DEFAULT/SYSTEM and display the parameter with the SHOW RMS_DEFAULT command.

System Parameters

C.2 Parameter Descriptions

RMS_DFMBFIDX (A,D)

RMS_DFMBFIDX establishes the default RMS multibuffer count for indexed sequential disk operations. This value defines the number of I/O buffers that RMS allocates for each indexed file. For sequential access, a larger number that allows some of the index buckets to remain in memory can improve performance.

You can set this system parameter with the DCL command SET RMS_DEFAULT/SYSTEM and display the parameter with SHOW RMS_DEFAULT.

RMS_DFMBFREL (A,D)

RMS_DFMBFREL establishes the default RMS multibuffer count for relative disk operations. This value defines the number of I/O buffers that RMS allocates for each relative file.

You can set this system parameter with the DCL command SET RMS_DEFAULT/SYSTEM and display the parameter with SHOW RMS_DEFAULT.

RMS_DFMBFSDK (A,D)

RMS_DFMBFSDK establishes the default RMS multibuffer count for sequential disk operations. This value defines the number of I/O buffers that RMS allocates for sequential disk files.

The default value is usually adequate. However, if read-ahead or write-behind operations are used, a larger number improves performance.

You can set this system parameter with the DCL command SET RMS_DEFAULT/SYSTEM and display the parameter with SHOW RMS_DEFAULT.

RMS_DFMBFSMT (A,D)

RMS_DFMBFSMT establishes the default RMS multibuffer count for magnetic tape operations. This value defines the number of I/O buffers that RMS allocates for magnetic tape files.

You can set this system parameter with the DCL command SET RMS_DEFAULT/SYSTEM and display the parameter with SHOW RMS_DEFAULT.

RMS_DFMBFSUR (A,D)

RMS_DFMBFSUR establishes the default multibuffer count for unit record devices.

You can set this system parameter with the DCL command SET RMS_DEFAULT/SYSTEM and display the parameter with SHOW RMS_DEFAULT.

RMS_DFNBC (A,D)

RMS_DFNBC specifies a default block count for network access to remote, sequential, indexed sequential, and relative files.

The network block count value represents the number of blocks that RMS is prepared to allocate for the I/O buffers used to transmit and receive data. The buffer size used for remote file access, however, is the result of a negotiation between RMS and the remote file access listener (FAL). The buffer size chosen is the smaller of the two sizes presented.

System Parameters

C.2 Parameter Descriptions

Thus, RMS_DFNBC places an upper limit on the network buffer size that is used. It also places an upper limit on the largest record that can be transferred to or from a remote file. In other words, the largest record that can be transferred must be less than or equal to RMS_DFNBC multiplied by 512 bytes.

You can set this system parameter with the DCL command SET RMS_DEFAULT/SYSTEM and display the parameter with SHOW RMS_DEFAULT.

RMS_EXTEND_SIZE (D)

RMS_EXTEND_SIZE specifies the number of blocks by which files are extended as they are written. This number should be chosen to balance the amount of extra disk space wasted at the ends of each file against the performance improvement provided by making large extents infrequently.

When small disk quotas are used, specify a small number such as the disk cluster size to prevent the user's disk quota from being consumed. If the value of 0 is used, RMS allocates large extents and truncates the file back to its actual usage when it closes.

You can set this system parameter with the DCL command SET RMS_DEFAULT/SYSTEM and display the parameter with SHOW RMS_DEFAULT.

RMS_FILEPROT

RMS_FILEPROT determines the default file protection for system processes such as those that create the error log, operator log, and job controller. It also determines default file protection for processes created by the job controller (all interactive and batch processes).

Because a process always inherits its default file protection from its creator process, RMS_FILEPROT determines default file protection only for users who do not execute the DCL command SET PROTECTION/DEFAULT in their login command procedures or during interactive sessions.

The protection is expressed as a mask. (See the discussion of the \$CRMPSC system service in the *HP OpenVMS System Services Reference Manual* for more information about specifying protection masks.) By default, the mask is 64000 (decimal) or FA00 (hexadecimal), which represents the following protection:

(S:RWED,O:RWED,G:RE,W:)

You can set this system parameter with the DCL command SET RMS_DEFAULT/SYSTEM and display the parameter with SHOW RMS_DEFAULT.

RMS_HEURISTIC (D)

This special parameter is used by HP and is subject to change. Do not change this parameter unless HP recommends that you do so.

RMS_PROLOGUE (D)

RMS_PROLOGUE specifies the default prologue RMS uses to create indexed files. The default value 0 specifies that RMS should determine the prologue based on characteristics of the file. A value of 2 specifies Prologue 2 or Prologue 1, and 3 specifies Prologue 3. The RMS prologues are described in the *OpenVMS Record Management Services Reference Manual*.

System Parameters

C.2 Parameter Descriptions

RMS_SEQFILE_WBH (D)

(Alpha only) RMS_SEQFILE_WBH can enable the RMS writebehind feature as a system default for any unshared sequential disk file if the file is opened for image I/O with write access specified. The possible settings are the following:

Setting	Description
0 (default)	Do not enable writebehind feature. Preserve prior behavior of using writebehind only if the user requests it by setting RAB\$V_WBH in RAB\$L_ROP.
1	Enable writebehind feature as system default, including the allocation of at least two local buffers.

RSRVPAGCNT

This parameter has been obsolete on Alpha systems since OpenVMS Version 7.2.

On VAX systems, RSRVPAGCNT sets the number of pages that are reserved and escrowed for the current process page file.

This special parameter is used by HP and is subject to change. Do not change this parameter unless HP recommends that you do so.

S0_PAGING

S0_PAGING controls paging of system code:

- Setting bit 0 disables paging of all Exec code and data.
- Setting bit 1 disables paging of all RMS code and data.

This special parameter is used by HP and is subject to change. Do not change this parameter unless HP recommends that you do so.

S2_SIZE

(Alpha only) S2_SIZE is the number of megabytes to reserve for S2 space. This value does not include the size required for Extended File Cache (XFC).

SA_APP

SA_APP is a special parameter reserved for HP use only.

SAVEDUMP

If the dump file is saved in the page file, SAVEDUMP specifies whether the page file is saved until the dump file is analyzed. The default value 0 specifies that the page file should not be retained. A value of 1 specifies that the dump written to the page file should be retained until either copied or released using the SDA utility.

SBIERRENABLE

(VAX only) This parameter enables (1) SBI error detection and logging.

This special parameter is used by HP and is subject to change. Do not change this parameter unless HP recommends that you do so.

SCH_CTLFLAGS (D)

(Alpha only) The bits in this bitmask signify the following:

System Parameters

C.2 Parameter Descriptions

Bit	Set or Clear	Meaning
0	Clear	Traditional scheduling algorithm
	Set	New 1-CPU release scheduling algorithm
1	Set	No process will be scheduled on the primary CPU.

Beginning in OpenVMS Version 7.3-1, the default value for SCH_CTLFLAGS is 1.

SCSBUFFCNT (A,F,G)

On VAX systems, SCSBUFFCNT is the number of buffer descriptors configured for all systems communication architecture (SCA). If an SCA device is not configured on your system, this parameter is ignored. Generally speaking, each data transfer needs a buffer descriptor and thus the number of buffer descriptors can be a limit on the number of possible simultaneous I/Os. Various performance monitors report when a system is out of buffer descriptors for a given workload which is an indication that a larger value for SCSBUFFCNT is worth considering. Note that AUTOGEN provides feedback for this parameter on VAX systems only.

On Alpha systems, the system communication services (SCS) buffers are allocated as needed, and SCSBUFFCNT is reserved for HP use only.

SCSCONNCNT

Beginning with OpenVMS Version 7.2, this parameter is obsolete. SCS connections are now allocated and expanded only as needed, up to a limit of 65,000.

SCSFLOWCUSH (D)

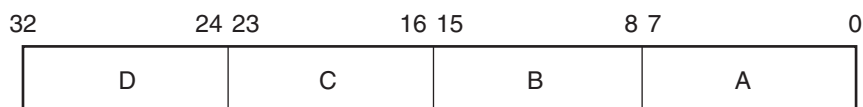
Specifies the lower limit for receive buffers at which point system communication services (SCS) starts to notify the remote SCS of new receive buffers. For each connection, SCS tracks the number of receive buffers available. SCS communicates this number to the SCS at the remote end of the connection. However, SCS does not need to do this for each new receive buffer added. Instead, SCS notifies the remote SCS of new receive buffers if the number of receive buffers falls as low as the SCSFLOWCUSH value.

The default value is adequate on most systems. If a systems communication architecture (SCA) port is not configured on your system, this parameter is ignored.

SCSI_NOAUTO (D)

(VAX only) This special parameter is used by HP and is subject to change. Do not change this parameter unless HP recommends that you do so.

SCSI_NOAUTO prevents the loading of a disk or tape SCSI class driver for any given device ID in a configuration that includes a SCSI third-party device. The SCSI_NOAUTO system parameter stores a bit mask of 32 bits, where the low-order byte corresponds to the first SCSI bus (PKA0), the second byte corresponds to the second SCSI bus (PKB0), and so on, as follows:



VM-1060A-AI

System Parameters

C.2 Parameter Descriptions

For each SCSI bus, setting the low-order bit inhibits automatic configuration of the device with SCSI device ID 0; setting the second low-order bit inhibits automatic configuration of the device with SCSI device ID 1, and so forth. For instance, the value 00002000_{16} prevents the device with SCSI ID 5 on the bus identified by SCSI port ID B from being configured. By default, all the bits in the mask are cleared, allowing all devices to be configured.

SCSICLUSTER_P[1-4]

(Alpha only) SCSICLUSTER_P[1-4] parameters allow non-HP peripherals (CPU-lookalikes) in SCSI clusters.

This special parameter is used by HP and is subject to change. Do not change this parameter unless HP recommends that you do so.

SCSMAXDG (G)

This parameter is reserved for HP use only.

SCSMAXMSG (G)

This parameter is reserved for HP use only.

SCSNODE (A,G)

SCSNODE specifies the name of the computer. This parameter is not dynamic.

Specify SCSNODE as a string of up to six characters. Enclose the string in quotation marks.

Note

The maximum size of six characters is strictly enforced. SYSBOOT truncates the value of SCSNODE if the size of the system parameter is set to more than six characters.

If the computer is in an OpenVMS Cluster, specify a value that is unique within the cluster. Do not specify the null string.

If the computer is running DECnet for OpenVMS, the value must be the same as the DECnet node name.

SCSRESPCNT (A,F,G)

SCSRESPCNT is the total number of response descriptor table entries (RDTEs) configured for use by all system applications.

If SCA or DSA ports are not configured on your system, the system ignores SCSRESPCNT.

SCSSYSTEMID (G)

Specifies a number that identifies the computer. This parameter is not dynamic. SCSSYSTEMID is the low-order 32 bits of the 48-bit system identification number.

If the computer is in an OpenVMS Cluster, specify a value that is unique within the cluster. Do not use zero as the value.

If the computer is running DECnet for OpenVMS, calculate the value from the DECnet address using the following formula:

$$\text{SCSSYSTEMID} = ((\text{DECnet area number}) * 1024) + (\text{DECnet node number})$$

System Parameters

C.2 Parameter Descriptions

Example: If the DECnet address is 2.211, calculate the value as follows:

$$\text{SCSSYSTEMID} = (2 * 1024) + 211 = 2259$$

SCSSYSTEMIDH (G)

Specifies the high-order 16 bits of the 48-bit system identification number. This parameter must be set to 0. It is reserved by HP for future use.

SECURITY_POLICY

SECURITY_POLICY allows a system to run in a C2 or B1 configuration and to subset out particular pieces of functionality—to exclude functionality that is outside the evaluated configuration or to preserve compatibility with previous versions of the operating system. See the *HP OpenVMS Guide to System Security* for further information about the C2 and B1 evaluated configurations.

The following bits are defined:

Bit	Description
0	Allows DECwindows to display PostScript extensions.
1	Allows multiple user names to connect to DECW\$SERVER.
2	Allows unevaluated DECwindows transports (such as TCP/IP).
3	Allows \$SIGPRC and \$PRCTERM to span job trees.
4	Allows security profile changes to protected objects on a local node when the object server is absent and cannot update the cluster database VMS\$OBJECTS.DAT.
5	Allows creation of protected objects on a local node when the object server is absent and cannot update the cluster database VMS\$OBJECTS.DAT.
6	Allows SPAWN or LIB\$SPAWN commands in CAPTIVE accounts.
7	Reserved to HP.
8	Reserved to HP.
9	Disables password synchronizations among ACME agents on a systemwide basis. This is functionally equivalent to the SYS\$SINGLE_SIGNON logical name bit mask value 4 for LOGINOUT.
10	Allows privileged applications to successfully authenticate a user whose principal name maps to a SYSUAF record that is either expired or whose modal restrictions would otherwise prevent the account from being used. A SYSUAF record that is disabled or password-expired (in the case of traditional OpenVMS authentication) cannot be bypassed in this manner. An application with SECURITY privilege specifies the SYS\$ACM ACME\$M_NOAUTHORIZE function modifier to override authorization checks.
11	Allows any record in the SYSUAF file to be mapped using external authentication.
12	Allows intrusions on a clusterwide or local basis. (If the bit is cleared, intrusions are clusterwide.)

The default value of 7 preserves compatibility with existing DECwindows Motif behavior. A value of 0 disables all unevaluated configurations.

SETTIME

SETTIME enables (1) or disables (0) solicitation of the time of day each time the system is booted. This parameter should usually be off (0), so that the system sets the time of day at boot time to the value of the processor time-of-day register. You can reset the time after the system is up with the DCL command SET TIME (see the *HP OpenVMS DCL Dictionary*).

System Parameters

C.2 Parameter Descriptions

SHADOW_D1-D5

Special dynamic parameters reserved for HP use.

SHADOWING

SHADOWING loads the host-based volume shadowing driver. See *HP Volume Shadowing for OpenVMS* for more information about setting system parameters for volume shadowing.

Specify one of the following values:

Value	Description
0	No shadowing is enabled; SHDRIVER is not loaded. This is the default value.
2	Host-based volume shadowing enabled; SHDRIVER is loaded. Host-based volume shadowing provides shadowing of all disks located on a standalone system or an OpenVMS Cluster system.

SHADOW_MAX_COPY (A,D)

The value of SHADOW_MAX_COPY controls how many parallel copy threads are allowed on a given node.

Carefully consider the needs of each shadowed node when you set this parameter. Too high a value for SHADOW_MAX_COPY can affect performance by allowing too many copy threads to operate in parallel. Too low a value unnecessarily restricts the number of threads your system can effectively handle.

See *HP Volume Shadowing for OpenVMS* for more information about setting system parameters for volume shadowing.

SHADOW_MAX_UNIT

SHADOW_MAX_UNIT specifies the maximum number of shadow sets that can exist on a system. The setting **must be equal to or greater** than the number of shadow sets you plan to have on a system. Dismounted shadow sets, unused shadow sets, and shadow sets with no write bitmaps allocated to them are included in the total.

Note

Review this default carefully. The setting **must be equal to or greater than** the number of shadow sets you plan to have on a system. If you attempt to mount more shadow sets than the number specified by SHADOW_MAX_UNIT, the MOUNT command will fail. Dismounted shadow sets, unused shadow sets, and shadow sets with no write bitmaps allocated to them are included in the count for SHADOW_MAX_UNIT.

On OpenVMS Alpha systems, the default value for this system parameter is 500, which consumes 24KB of main memory. On OpenVMS VAX systems, the default value is 100, which consumes 5KB of main memory.

If you do not plan to use Volume Shadowing for OpenVMS, you can change the setting to its minimum of 10 (which consumes 480 bytes of main memory). Setting the default to its minimum frees up 23.5KB of main memory on an OpenVMS Alpha system and 4.5KB of main memory on a VAX system. (The maximum value of this parameter is 10,000.)

System Parameters

C.2 Parameter Descriptions

This system parameter is not dynamic; that is, a reboot is required when you change the setting.

SHADOW_MBR_TMO (D)

SHADOW_MBR_TMO controls the amount of time the system tries to fail over physical members of a shadow set before removing them from the set. The SHADOW_MBR_TMO parameter replaces the temporary VMSD3 parameter used in prior releases.

The SHADOW_MBR_TMO parameter is valid for use only with Phase II of Volume Shadowing for OpenVMS. You cannot set this parameter for use with Phase I, which is obsolete.

Use the SHADOW_MBR_TMO parameter (a word) to specify the number of seconds, in decimal from 1 to 65,535, during which recovery of a repairable shadow set is attempted. If you do not specify a value or if you specify 0, the default delay of 120 seconds is used.

Because SHADOW_MBR_TMO is a dynamic parameter, you should use the SYSGEN command WRITE CURRENT to permanently change its value.

SHADOW_REC_DLY (D)

(Alpha only) On Version 7.3-1 and on future versions of OpenVMS, the number of seconds a system waits before it attempts to manage transient state operations on any virtual units that are mounted on this system. A shadow set enters a transient state when a merge or a copy operation is required on that virtual unit.

SHADOW_SITE_ID (D)

(Alpha only) This parameter allows a system manager to define a site value, which Volume Shadowing uses to determine the best device to perform reads, thereby improving performance.

The system manager can now define the site value to be used for all shadow sets mounted on a system. This parameter is an arbitrary numeric value coordinated by the system manager of disaster tolerant clusters. Reads from devices that have site values matching the shadow set's site value are preferred over reads from devices with different site values. For detailed information, see the description of the \$SET DEVICE/SITE in the *HP OpenVMS DCL Dictionary* and *HP Volume Shadowing for OpenVMS*.

SHADOW_SYS_DISK

A SHADOW_SYS_DISK parameter value of 1 enables shadowing of the system disk. A value of 0 disables shadowing of the system disk. The default value is 0.

Also specify a system disk shadow set virtual unit number with the SHADOW_SYS_UNIT system parameter, unless the desired system disk unit number is DSA0.

To enable minimerge on a system disk, add the value 4096 to your existing SHADOW_SYS_DISK value. For example, if you have SHADOW_SYS_DISK set to a value of 1, change it to 4097 to enable minimerge. Also, be sure to set the DUMPSTYLE parameter to dump off system disk, as described in the *HP OpenVMS System Manager's Manual*.

SHADOW_SYS_TMO

The SHADOW_SYS_TMO parameter has the following two distinct uses:

- At system boot time, when this is the *first* node in the cluster to boot and to create this specific shadow set. If the proposed shadow set is not currently

System Parameters

C.2 Parameter Descriptions

mounted in the cluster, use this parameter to extend the time a booting system waits for all former members of the shadowed system disk to become available.

- Once the system successfully mounts the virtual unit and begins normal operations. In this usage, the SHADOW_SYS_TMO parameter controls the time the operating system waits for errant members of a system disk. (Use the SHADOW_MBR_TMO parameter to control the time the operating system waits for the errant members of an application disk.)

This parameter applies only to members of the system disk shadow set. All nodes using a particular system disk shadow set should have their SHADOW_SYS_TMO parameter set to the same value once normal operations begin.

The default value is 120 seconds. Change this parameter to a higher value if you want the system to wait more than the 120-second default for all members to join the shadow set. You can set the parameter value to 120 through 65,535 seconds.

SHADOW_SYS_UNIT

Use this parameter for Phase II shadowing only. The SHADOW_SYS_UNIT parameter is an integer value that contains the virtual unit number of the system disk. The default value is 0. The maximum value allowed is 9999. This parameter is effective only when the SHADOW_SYS_DISK parameter has a value of 1. This parameter should be set to the same value on all nodes booting off a particular system disk shadow set. See *HP Volume Shadowing for OpenVMS* for more information about setting system parameters for volume shadowing.

SHADOW_SYS_WAIT

The SHADOW_SYS_WAIT parameter extends the time a booting system waits for all current members of a mounted shadowed system disk to become available to *this* node. The shadow set must already be mounted by at least one other cluster node for this parameter to take effect.

The default value is 480 seconds. Change this parameter to a higher value if you want the system to wait more than the 480-second default for all members to join the shadow set. You can set the parameter value to 1 through 65,535 seconds.

SMCI_FLAGS (D)

(Alpha Galaxy platforms only) The SMCI_FLAGS parameter controls operational aspects of SYS\$PBDRIVER, the Galaxy Shared Memory Cluster Interconnect (SMCI).

Bits in the bit mask are the following:

Bit	Mask		Description
0	0	0 =	Do not create local communications channels (SYSGEN default). Local SCS communications are primarily used in test situations and are not needed for normal operations. Not creating local communications saves resources and overhead.
		1 =	Create local communications channels.
1	2	0 =	Load SYS\$PBDRIVER if booting into both a Galaxy and a Cluster (SYSGEN Default).
		1 =	Load SYS\$PBDRIVER if booting into a Galaxy.
2	4	0 =	Minimal console output (SYSGEN default).

System Parameters

C.2 Parameter Descriptions

Bit	Mask	Description
	1 =	Full console output; SYS\$PBDRIVER displays console messages when it creates and tears down communications channels.

SMCI_PORTS

(Alpha Galaxy platforms only) The Shared Memory Cluster Interconnect (SMCI) system parameter SMCI_PORTS controls initial loading of SYS\$PBDRIVER. This parameter is a bit mask; bits 0 through 25 each represent a controller letter. If bit 0 is set, which is the default setting, PB x is loaded (where x represents the Galaxy Partition ID). If bit 1 is set, PBB x is loaded, and so on up to bit 25, which causes PBZ x to be loaded. For OpenVMS Alpha Version 7.2, HP recommends leaving this parameter at the default value of 1.

Loading additional ports allows multiple paths between Galaxy instances. In the initial release of the Galaxy software, having multiple communications channels is not an advantage because SYS\$PBDRIVER does not support fast path. A future release of OpenVMS will provide Fast Path support for SYS\$PBDRIVER, when multiple CPUs improve throughput by providing multiple communications channels between instances.

SMP_CPUS

SMP_CPUS identifies which secondary processors, if available, are to be booted into the multiprocessing system at boot time. SMP_CPUS is a 32-bit mask; if the value of a bit in the mask is 1, the processor with the corresponding CPU ID is booted into the multiprocessing system (if it is available). For example, if you want to boot only the CPUs with CPU IDs 0 and 1, specify the value 3 (both bits are on).

The default value of SMP_CPUS, -1, boots all available CPUs into the multiprocessing system.

Note that although a bit in the mask corresponds to the primary processor's CPU ID, the primary processor is always booted. That is, if the mask is set to 0, the primary CPU still boots. Any available secondary processors are not booted into the multiprocessing system.

This parameter is ignored if the MULTIPROCESSING parameter is set to 0.

SMP_CPUSH

SMP_CPUSH is a special parameter reserved for HP use only. HP recommends that you use the default value.

SMP_LNGSPINWAIT

Certain shared resources in a multiprocessing system take longer to become available than allowed by the SMP_SPINWAIT parameter. SMP_LNGSPINWAIT establishes, in 10-microsecond intervals, the length of time a processor in a multiprocessing system waits for these resources. A timeout causes a CPUSPINWAIT bugcheck.

The default value is 3000000 (3 million 10-microsecond intervals or 30 seconds).

SMP_SANITY_CNT

SMP_SANITY_CNT establishes, in 10-millisecond intervals, the timeout period for each CPU in a symmetric multiprocessing (SMP) system. Each CPU in an SMP system monitors the sanity timer of one other CPU in the configuration to

System Parameters

C.2 Parameter Descriptions

detect hardware or software failures. If allowed to go undetected, these failures could cause the cluster to hang. A timeout causes a CPUSANITY bugcheck.

The default value is 300 milliseconds (30 10-millisecond intervals).

SMP_SPINWAIT

SMP_SPINWAIT establishes, in 10-microsecond intervals, the amount of time a CPU in an SMP system normally waits for access to a shared resource. This process is called **spinwaiting**.

A timeout causes a CPUSPINWAIT bugcheck.

The default value is 100000 (100,000 10-microsecond intervals or 1 second).

SMP_TICK_CNT

SMP_TICK_CNT sets the frequency of sanity timer checks by each CPU in a multiprocessing system.

This special parameter is used by HP and is subject to change. Do not change this parameter unless HP recommends that you do so.

SPTREQ (A)

(VAX only) SPTREQ sets the number of system page table (SPT) entries required for mapping the following components:

- Executive image
- RMS image
- SYSMMSG.EXE file
- Multiport memory structures
- Each MASSBUS adapter
- Each UNIBUS adapter
- Each DR32 adapter

The number of system page table entries required for all other purposes is automatically computed and added to the value of SPTREQ to yield the actual size of the system page table.

SSINHIBIT

SSINHIBIT controls whether system services are inhibited (1) (on a per-process basis). By default, system services are not inhibited (0).

This special parameter is used by HP and is subject to change. Do not change this parameter unless HP recommends that you do so.

STARTUP_P1–8

The following table describes possible values of STARTUP_P1 through _P8:

STARTUP Value	Description
STARTUP_P1	Specifies the type of system boot the system-independent startup procedure is to perform when STARTUP_P1 has one of the following values: <ul style="list-style-type: none">• " "– A full boot is performed.• "MIN"– A minimum boot that starts only what is absolutely necessary for the operating system to run.

System Parameters

C.2 Parameter Descriptions

STARTUP Value	Description
STARTUP_P2	<p>Controls the setting of verification during the execution of the system-independent startup procedure, STARTUP.COM, when STARTUP_P2 has one of the values described in the lists below.</p> <p>STARTUP_P2 can be <i>one</i> of the values shown in the following list:</p> <ul style="list-style-type: none">• F[ALSE], N[O], 0, " "—Verification is not enabled; in other words, NOVERIFY is performed.• T[RUE], Y[ES], 1—Verification is enabled; in other words, a SET VERIFY is performed. <p>Alternatively, STARTUP_P2 can be a string containing <i>one or more</i> of the letters shown in the following list:</p> <ul style="list-style-type: none">• C—Display various checkpointing messages during startup.• D—Log (or Dump) the output from the startup to a file called SYS\$SPECIFIC:[SYSEXE]STARTUP.LOG.• P—DCL verification is enabled for each component file, but not for the startup driver. If both P and V are used, P is ignored.• V—Full DCL verification is enabled; same as TRUE. <p>Refer to the SYSMAN command STARTUP SET OPTIONS for more information about STARTUP_P2.</p>
STARTUP_P3	<p>Beginning in OpenVMS Version 7.2, if STARTUP_P3 is set to AGEN, the system executes AUTOGEN at the end of the startup sequence.</p>
STARTUP_P4 through STARTUP_P8	<p>Reserved for future use.</p>

SWP_PRIO

SWP_PRIO sets the priority of I/O transfers initiated by the swapper.

This special parameter is used by HP and is subject to change. Do not change this parameter unless HP recommends that you do so.

SWPALLOCINC

(VAX only) SWPALLOCINC sets the size (in blocks) to use to back up swap file space allocation in the swap or page file. Space in the file is allocated in multiples of this unit (up to WSQUOTA) to guarantee swap space.

This special parameter is used by HP and is subject to change. Do not change this parameter unless HP recommends that you do so.

SWPFAIL

SWPFAIL sets the number of consecutive swap failures allowed before the swap schedule algorithm is changed to ignore the swap quantum protection.

This special parameter is used by HP and is subject to change. Do not change this parameter unless HP recommends that you do so.

SWPFILCNT

On VAX systems, SWPFILCNT defines the maximum number of swap files that can be installed. On Alpha systems, beginning in OpenVMS Version 7.3, this parameter is obsolete.

System Parameters

C.2 Parameter Descriptions

SWPOUTPGCNT (A on VAX,D)

This parameter allows the swapper an alternative mechanism before actually performing swaps.

On VAX systems, SWPOUTPGCNT defines the minimum number of pages to which the swapper should attempt to reduce a process before swapping it out. The pages taken from the process are placed into the free-page list.

On Alpha systems, SWPOUTPGCNT defines the minimum number of pagelets to which the swapper should attempt to reduce a process before swapping it out. The pagelets taken from the process are placed into the free-page list.

SWPRATE

SWPRATE sets the swapping rate (in 10-millisecond units). This parameter limits the amount of disk bandwidth consumed by swapping.

This special parameter is used by HP and is subject to change. Do not change this parameter unless HP recommends that you do so.

SYSMWCNT (A,G,M)

SYSMWCNT sets the quota for the size of the system working set, which contains the pageable portions of the system, the paged dynamic pool, RMS, and the resident portion of the system message file.

While a high value takes space away from user working sets, a low value can seriously impair system performance. Appropriate values vary, depending on the level of system use. When the system is running at full load, check the rate of system faults with the MONITOR PAGE command of the Monitor utility. An average system page fault rate of between 0 and 3 page faults per second is desirable. If the system page fault rate is high, and especially if the system seems to be slow, you should increase the value of SYSMWCNT. However, do not set this parameter so high that system page faulting never occurs.

SYSPFC

SYSPFC sets the number of pages to be read from disk on each system paging operation.

This special parameter is used by HP and is subject to change. Do not change this parameter unless HP recommends that you do so.

SYSTEM_CHECK

SYSTEM_CHECK investigates intermittent system failures by enabling a number of run-time consistency checks on system operation and recording some trace information.

Enabling SYSTEM_CHECK causes the system to behave as if the following system parameter values are set (although the values of the following parameters are not actually changed):

Parameter	Value	Description
BUGCHECKFATAL	1	Crash the system on nonfatal bugchecks.
POOLCHECK	%X616400FF	Enable all poolchecking, with an allocated pool pattern of %x61616161 ('aaaa') and deallocated pool pattern of x64646464 ('dddd').
MULTIPROCESSING	2	Enable full synchronization checking.

System Parameters

C.2 Parameter Descriptions

While `SYSTEM_CHECK` is enabled, the previous settings of the `BUGCHECKFATAL` and `MULTIPROCESSING` parameters are ignored. However, setting the parameter `POOLCHECK` to a nonzero value overrides the setting imposed by `SYSTEM_CHECK`.

Setting `SYSTEM_CHECK` creates certain image files that are capable of the additional system monitoring. These image files are located in `SYS$LOADABLE_IMAGES` and can be identified by the suffix `_MON`. For information about the type of data checking performed by `SYSTEM_CHECK`, see the description of the `ACP_DATACHECK` parameter. For information about the performance implications of enabling `SYSTEM_CHECK`, see *OpenVMS Performance Management*.

On VAX systems, `SYSTEM_CHECK` is a special parameter, which is subject to change at any time and should be modified only if recommended by HP.

TAILORED

`TAILORED` specifies whether or not the system is tailored during installation. HP recommends that you use the default value.

TAPE_ALLOCLASS

`TAPE_ALLOCLASS` determines the tape allocation class for the system. The tape allocation class creates a unique clusterwide device name for multiple access paths to the same tape.

The `TAPE_ALLOCLASS` parameter can also be used to generate a unique clusterwide name for tape devices with identical unit numbers.

TAPE_MVTIMEOUT (D)

`TAPE_MVTIMEOUT` is the time in seconds that a mount verification attempt continues on a given magnetic tape volume. If the mount verification does not recover the volume within that time, the I/O operations outstanding to the volume terminate abnormally.

TBSKIPWSL

`TBSKIPWSL` specifies the maximum number of working set list entries that may be skipped while scanning for a “good” entry to discard. Setting this parameter to 0 disables skipping.

This special parameter is used by HP and is subject to change. Do not change this parameter unless HP recommends that you do so.

TIME_CONTROL (D)

This special parameter is used by HP and is subject to change. Do not change this parameter unless HP recommends that you do so.

`TIME_CONTROL` is an SMP bit mask parameter that controls debugging functions. The following bits are defined:

Bit	Description
0	Obsolete.
1 (EXE\$V_SANITY)	Disables the SMP sanity timer support.
2 (EXE\$V_NOSPINWAIT)	Disables the functional behavior of the SMP spinwait support.

System Parameters

C.2 Parameter Descriptions

TIMEPROMPTWAIT

TIMEPROMPTWAIT defines the number of seconds that you want a processor to wait for the time and date to be entered when a system boot occurs, if the processor's time-of-year clock does not contain a valid time. (The time unit of micro-fortnights is approximated as seconds in the implementation.) If the time specified by TIMEPROMPTWAIT elapses, the system continues the boot operation, and the date and time are set to the last recorded time that the system booted.

Note

HP recommends that you set the correct system time before allowing the system to run, so that all functions using time-stamping (such as the operator log, the error log, accounting records, file creation dates, and file expiration dates) contain correct time values.

Depending on the value specified for the TIMEPROMPTWAIT parameter, the system acts in one of the following ways:

- If TIMEPROMPTWAIT is 0, no prompt or wait occurs; the system boots immediately, using the time of the last boot as the system time.
- If TIMEPROMPTWAIT is a positive number less than 32768, one prompt is issued and the value dictates how many seconds you can take to respond with a time. If you do not provide a time before TIMEPROMPTWAIT elapses, the system boots, using the time of the last boot as the system time.
- If TIMEPROMPTWAIT is a number in the range of 32768 through 65535, the prompt for the time is issued at intervals starting with 2 and doubling until 256 seconds is reached. If no response is received, the prompts restart, with the 2-second interval. This prompting process repeats indefinitely, until you specify a time.

TIMVCFAIL (D)

TIMVCFAIL specifies the time required for an adapter or virtual circuit failure to be detected. HP recommends that the default value be used. HP also recommends that this value be lowered only in OpenVMS Cluster of three CPUs or less, that the same value be used on each computer in the cluster, and that dedicated LAN segments be used for cluster I/O.

TMSCP_LOAD (A)

TMSCP_LOAD allows the loading of the tape mass storage control protocol server software. The TMSCP_LOAD parameter also sets locally connected tapes served. Refer to *OpenVMS Cluster Systems* for information about setting the TMSCP_LOAD parameter.

Setting TMSCP_LOAD to 0 inhibits the loading of the tape server and the serving of local tapes. Setting TMSCP to 1 loads the tape server into memory at the time the system is booted and makes all directly connected tape drives available clusterwide. The following table describes the two states of the TMSCP_LOAD parameter:

System Parameters

C.2 Parameter Descriptions

State	Function
0	Do not load the TMSCP tape server. Do not serve any local tape devices clusterwide. This is the default value.
1	Load the TMSCP tape server. Serve all local TMSCP tape devices clusterwide.

TMSCP_SERVE_ALL

TMSCP_SERVE_ALL is a bit mask that controls the serving of tapes. The settings take effect when the system boots. You cannot change the settings when the system is running.

Starting with OpenVMS Version 7.2, the serving types are implemented as a bit mask. To specify the type of serving your system will perform, locate the type you want in the following table and specify its value. For some systems, you may want to specify two serving types, such as serving all tapes except those whose allocation class does not match. To specify such a combination, add the values of each type, and specify the sum.

In a mixed-version cluster that includes any systems running OpenVMS Version 7.1-*x* or earlier, serving all available tapes is restricted to serving all tapes except those whose allocation class does not match the system's allocation class (pre-Version 7.2 meaning). To specify this type of serving, use the value 9, which sets bit 0 and bit 3. The following table describes the serving type controlled by each bit and its decimal value:

Bit	Value When Set	Description
Bit 0	1	Serve all available tapes (locally attached and those connected to HSx and DSSI controllers). Tapes with allocation classes that differ from the system's allocation class (set by the ALLOCLASS parameter) are also served if bit 3 is not set.
Bit 1	2	Serve locally attached (non-HSx and non-DSSI) tapes.
Bit 2	N/A	Reserved.
Bit 3	8	Restrict the serving specified by bit 0. All tapes except those with allocation classes that differ from the system's allocation class (set by the ALLOCLASS parameter) are served. This is pre-Version 7.2 behavior. If your cluster includes systems running OpenVMS Version 7.1- <i>x</i> or earlier, and you want to serve all available tapes, you must specify 9, the result of setting this bit and bit 0.

Although the serving types are now implemented as a bit mask, the values of 0, 1, and 2, specified by bit 0 and bit 1, retain their original meanings:

- 0 — Do not serve any tapes (the default for earlier versions of OpenVMS).
- 1 — Serve all available tapes.
- 2 — Serve only locally attached (non-HSx and non-DSSI) tapes.

If the TMSCP_LOAD system parameter is 0, TMSCP_SERVE_ALL is ignored.

TTY_ALTALARM

TTY_ALTALARM sets the size of the alternate type-ahead buffer alarm. This value indicates at what point an XOFF should be sent to terminals that use the alternate type-ahead buffers with the size specified by the TTY_ALTYPAHD parameter.

System Parameters

C.2 Parameter Descriptions

TTY_ALTYPAMD

TTY_ALTYPAMD sets the size of the alternate type-ahead buffer. Use this parameter to allow the block mode terminals and communications lines to operate more efficiently.

The default value is usually adequate. Do not exceed the maximum value of 32767 when setting this parameter.

TTY_AUTOCHAR (D)

TTY_AUTOCHAR sets the character the terminal driver echoes when the job controller has been notified.

TTY_BUF

TTY_BUF sets the default line width for terminals.

TTY_CLASSNAME

TTY_CLASSNAME provides the 2-character prefix for the terminal class driver name that is required when booting. Changing the prefix can be useful when debugging a new terminal driver.

TTY_DEFCHAR

TTY_DEFCHAR sets the default characteristics for terminals, using a code derived by summing the following hexadecimal values:

Characteristic	Value (Hex)	Function
PASSALL	1	Passall.
NOECHO	2	Noecho mode.
NOTYPEAHEAD ¹	4	No type-ahead buffer.
ESCAPE	8	Escape sequence processing.
HOSTSYNC	10	Host can send XON and XOFF.
TTSYNC	20	Terminal can send XON and XOFF.
SCRIPT	40	Internal use only.
LOWER	80	Lowercase.
MECHTAB	100	Mechanical tabs.
WRAP	200	Wraparound at end of line.
CRFILL ¹	400	Perform carriage return fill.
LFFILL ¹	800	Perform line feed fill.
SCOPE	1000	Terminal is a scope.
REMOTE	2000	Internal use only.
EIGHTBIT	8000	Eight-bit terminal.
MBXDSABL	10000	Disable mailbox.
NOBRDCST	20000	Prohibit broadcast.
READSYNC	40000	XON and XOFF on reads.
MECHFORM	80000	Mechanical form feeds.

¹Do not set this characteristic as the default in TTY_DEFCHAR.

System Parameters C.2 Parameter Descriptions

Characteristic	Value (Hex)	Function
HALFDUP	100000	Set for half-duplex operation.
MODEM	200000	Set for modem signals.
PAGE	FF000000	Page size. Default is 24.

Where a condition is false, the value is 0.

The upper byte is the page length. The default characteristics are 24 lines per page, terminal synchronization, wraparound, lowercase, scope, and full-duplex.

TTY_DEFCHAR2

TTY_DEFCHAR2 sets a second longword of default terminal characteristics. The default characteristics are represented as a code that is derived by summing the following hexadecimal values:

Characteristic	Value (Hex)	Function
LOCALECHO	1	Enable local echo terminal logic; use with the TTY_DEFCHAR NOECHO characteristic.
AUTOBAUD	2	Enable autobaud detection.
HANGUP	4	Hang up on logout.
MODHANGUP	8	Allow modification of HANGUP without privileges.
BRDCSTMBX	10	Allow sending of broadcasts to mailboxes.
XON	20	(No effect in this parameter.)
DMA	40	(No effect in this parameter.)
ALTYPEAHD	80	Use the alternate type-ahead parameters.
SETSPEED	100	Clear to allow setting of speed without privileges.
DCL_MAILBX	200	Function reserved for HP use only.
DECCRT4	400	Terminal is DIGITAL CRT Level 4.
COMMSYNC	800	Enable flow control using modem signals.
EDITING	1000	Line editing allowed.
INSERT	2000	Sets default mode for insert.
FALLBACK	4000	Do not set this bit with SYSGEN. Refer to the <i>OpenVMS Terminal Fallback Utility Manual</i> ¹ for information about setting the FALLBACK terminal characteristic using the Terminal Fallback utility.
DIALUP	8000	Terminal is a dialup line.
SECURE	10000	Guarantees that no process is connected to terminal after Break key is pressed.

¹This manual has been archived but is available on the OpenVMS Documentation CD-ROM.

System Parameters

C.2 Parameter Descriptions

Characteristic	Value (Hex)	Function
DISCONNECT	20000	Allows terminal disconnect when a hangup occurs.
PASTHRU	40000	Terminal is in PASTHRU mode.
SYSPWD	80000	Log in with system password only.
SIXEL	100000	Sixel graphics.
DRCS	200000	Terminal supports loadable character fonts.
PRINTER	400000	Terminal has printer port.
APP_KEYPAD	800000	Notifies application programs of state to set keypad on exit.
ANSICRT	1000000	Terminal conforms to ANSI CRT programming standards.
REGIS	2000000	Terminal has REGIS CRT capabilities.
BLOCK	4000000	Block mode terminal.
AVO	8000000	Terminal has advanced video.
EDIT	10000000	Terminal has local edit capabilities.
DECCRT	20000000	Terminal is a DIGITAL CRT.
DECCRT2	40000000	Terminal is a DIGITAL CRT Level 2.
DECCRT3	80000000	Terminal is a DIGITAL CRT Level 3.

The defaults are AUTOBAUD and EDITING.

TTY_DEFPORT

TTY_DEFPORT provides flag bits for port drivers. Bit 0 set to 1 indicates that the terminal controller does not provide automatic XON/XOFF flow control. This bit should not be set for HP controllers, but it is needed for some foreign controllers. Currently only the YCDRIVER (DMF32, DMZ32) uses this bit. The remaining bits are reserved for future use. This special parameter should be modified only if recommended by HP.

TTY_DIALTYPE

TTY_DIALTYPE provides flag bits for dialups. Bit 0 is 1 for United Kingdom dialups and 0 for all others. Bit 1 controls the modem protocol used. Bit 2 controls whether a modem line hangs up 30 seconds after seeing CARRIER if a channel is not assigned to the device. The remaining bits are reserved for future use. See the *HP OpenVMS I/O User's Reference Manual* for more information about flag bits.

TTY_DMASIZE (D)

TTY_DMASIZE specifies a number of characters in the output buffer. Below this number, character transfers are performed; above this number, DMA transfers occur if the controller is capable of DMA I/O.

TTY_PARITY

TTY_PARITY sets terminal default parity.

TTY_RSPEED

TTY_RSPEED defines the receive speed for terminals. If TTY_RSPEED is 0, TTY_SPEED controls both the transmit and the receive speed. Maximum value

System Parameters

C.2 Parameter Descriptions

is 20. This parameter is only applicable for controllers that support split-speed operations, such as the DZ32 and the DMF32.

TTY_SCANDELTA

TTY_SCANDELTA sets the interval for polling terminals for dialup and hangup events. Shorter intervals use more processor time; longer intervals may result in missing a hangup event.

TTY_SILOTIME

TTY_SILOTIME defines the interval at which the DMF32 hardware polls the input silo for received characters. The DMF32 asynchronous terminal controller can delay the generation of a single input interrupt until multiple characters have accumulated in the input silo. TTY_SILOTIME specifies the number of milliseconds that the characters are allowed to accumulate prior to the generation of an input interrupt by the hardware.

TTY_SPEED

TTY_SPEED sets the systemwide default speed for terminals. Low byte is transmit speed, and high byte is receive speed. If high byte is set to 0, receive speed is identical to transmit speed. Maximum value is 20. Baud rates are defined by the \$TTDEF macro.

TTY_TIMEOUT (D)

TTY_TIMEOUT sets the number of seconds before a process associated with a disconnected terminal is deleted. The default value (900 seconds) is usually adequate. Note that using values for TTY_TIMEOUT greater than one year (value %X01E13380) can cause overflow errors and result in a disconnected device timing out immediately.

TTY_TYPAHDSZ

TTY_TYPAHDSZ sets the size of the terminal type-ahead buffer. The default value is usually adequate. Do not exceed the maximum value of 32767 when setting this parameter.

UAFALTERNATE (G,M)

UAFALTERNATE enables or disables the assignment of SYSUAF as the logical name for SYSUAFALT, causing all references to the user authorization file (SYSUAF) to be translated to SYS\$SYSTEM:SYSUAFALT. Use of the normal user authorization file (SYS\$SYSTEM:SYSUAF) can be restored by deassigning the system logical name SYSUAF. This parameter should be set on (1) only when the system is being used by a restricted set of users. You must create a user authorization file named SYSUAFALT prior to setting UAFALTERNATE to 1.

UDABURSTRATE (G)

UDABURSTRATE is reserved for HP use only.

USERD1 (D)

USERD1 is reserved for definition at the user's site. The reserved longword is referenced by the symbol SGN\$GL_USERD1.

On Alpha systems, this symbol is in the SYS\$LOADABLE_IMAGES:SYS\$BASE_IMAGE module.

On VAX systems, the symbol is in the SYS\$SYSTEM:SYS.STB module.

System Parameters

C.2 Parameter Descriptions

USERD2 (D)

USERD2 is reserved for definition at the user's site. The reserved longword is referenced by the symbol SGN\$GL_USERD2.

On Alpha systems, this symbol is in the SYS\$LOADABLE_IMAGES:SYS\$BASE_IMAGE module.

On VAX systems, the symbol is in the SYS\$SYSTEM:SYS.STB module.

USER3

USER3 is a parameter that is reserved for definition at the user's site. The reserved longword is referenced by the symbol SGN\$GL_USER3.

On Alpha systems, this symbol is in the SYS\$LOADABLE_IMAGES:SYS\$BASE_IMAGE module.

On VAX systems, the symbol is in the SYS\$SYSTEM:SYS.STB module.

USER4

USER4 is a parameter that is reserved for definition at the user's site. The reserved longword is referenced by the symbol SGN\$GL_USER4.

On Alpha systems, this symbol is in the SYS\$LOADABLE_IMAGES:SYS\$BASE_IMAGE module.

On VAX systems, the symbol is in the SYS\$SYSTEM:SYS.STB module.

VAXCLUSTER (A)

VAXCLUSTER controls loading of the cluster code. Specify one of the following:

Value	Description
0	Never form or join a cluster.
1	Base decision of whether to form (or join) a cluster or to operate standalone on the presence of cluster hardware.
2	Always form or join a cluster.

The default value is 1.

VCN_CACHE_S

(VAX only) This special parameter is used by HP and is subject to change. Do not change this parameter unless HP recommends that you do so.

The static system parameter VCN_CACHE_S enables or disables file system data caching. By default its value is 1, which means that caching is enabled and the Virtual I/O Cache is loaded during system startup.

Setting the value to 0 disables file system data caching on the local node and throughout the OpenVMS Cluster. In an OpenVMS Cluster, none of the other nodes in the cluster can cache any file data until this node either leaves the cluster or reboots with VCN_CACHE_S set to 1.

VBSS_ENABLE (A)

(VAX only) This special parameter is used by HP and is subject to change. Do not change this parameter unless HP recommends that you do so.

System Parameters

C.2 Parameter Descriptions

This parameter enables virtual balance slots (VBS) to be created. A virtual balance slot holds the mapping for a memory-resident process that does not currently own a real balance slot (RBS). The set of real balance slots is timeshared among all memory-resident processes. With VBS enabled, the quantity of memory-resident processes is limited by the system parameter MAXPROCESSCNT. With VBS disabled, the quantity of memory-resident processes is limited by the system parameter BALSETCNT.

When creating a new process, if the set of real balance slots is allocated, then a virtual balance slot is created and the owner of a real balance slot is selected and transitioned to the virtual balance slot. The new process is created in the real balance slot. Processes are transitioned (faulted) back to a real balance slot as they are scheduled to execute on a CPU.

Bit	Result
0	Enables VBS. All other VBS enables are subordinate to this enable. The default is disabled.
1	Enables the creation of a map for process-based direct I/O, allowing the process with direct I/O (DIO) outstanding to be transitioned to a virtual balance slot. Without DIO maps, a process with DIO outstanding retains its real balance slot for the duration of the DIO. This reduces the pool of available real balance slots for timesharing, which may result in a higher rate of faulting into the limited set of real balance slots. The default is enabled.
2-7	Reserved to HP for future use.

VBSS_ENABLE2

(VAX only) This special parameter is used by HP and is subject to change. Do not change this parameter unless HP recommends that you do so.

This cell is used for enabling and disabling VBS dynamic capabilities that are valid only when VBS is enabled. The following table indicates the result for each value:

Bit	Result
0	Enables VBS to perform first-level data reduction when switching processes. The default is enabled.
1	Enables VBS to perform second-level data reduction when switching processes. The default is enabled.
2	Requests VBS to perform an optimization that detects empty private page table pages on the modified list and frees them directly to the free list versus writing them to the page file. The default setting is enabled.
3-7	Reserved to HP for future use.

VCC_FLAGS (A)

(Alpha only) The static system parameter VCC_FLAGS enables and disables file system data caching. If caching is enabled, VCC_FLAGS controls which file system data cache is loaded during system startup.

System Parameters

C.2 Parameter Descriptions

Value	Description
0	Disables file system data caching on the local node and throughout the OpenVMS Cluster. In an OpenVMS Cluster, if caching is disabled on any node, none of the other nodes can use the Extended File Cache or the Virtual I/O Cache. They can't cache any file data until that node either leaves the cluster or reboots with VCC_FLAGS set to a nonzero value.
1	Enables file system data caching and selects the Virtual I/O Cache. This is the default for VAX systems.
2	Enables file system data caching and selects the Extended File Cache. This is the default for Alpha systems.

VCC_MAXSIZE (A)

(Alpha only) The static system parameter VCC_MAXSIZE controls the size of the virtual I/O cache. VCC_MAXSIZE, which specifies the size in blocks, is 3,700,000 by default.

The virtual I/O cache cannot shrink or grow. Its size is fixed at system startup.

To adjust the XFC size, use the VCC_MAX_CACHE system parameter.

VCC_MAX_CACHE (D)

(Alpha only) The dynamic system parameter VCC_MAX_CACHE controls the maximum size of the Extended File Cache. It specifies the size in megabytes. By default, VCC_MAX_CACHE has a special value of -1 for people who do not want to tune their systems manually; this value means that at system startup, the maximum size of the Extended File Cache is set to 50 percent of the physical memory on the system.

The Extended File Cache can automatically shrink and grow, depending on your I/O workload and how much spare memory your system has. As your I/O workload increases, the cache automatically grows, but never to more than the maximum size. When your application needs memory, the cache automatically shrinks.

The value of VCC_MAX_CACHE at system startup sets an upper limit for the maximum size of the Extended File Cache. You cannot increase the maximum size of VCC_MAX_CACHE beyond its value at boot time. For example, if VCC_MAX_CACHE is 60 MB at system startup, you can then set VCC_MAX_CACHE to 40, which decreases the maximum size to 40 MB. If you then set VCC_MAX_CACHE to 80, the maximum size is only increased to 60 MB, the value set at system startup.

Note that VCC_MAX_CACHE is a semi-dynamic parameter. If you change its value, you must enter the DCL command SET CACHE/RESET for any changes to take effect immediately. Otherwise, it might take much more time for the changes to take effect.

If you are using the reserved memory registry to allocate memory permanently, you must set the VCC\$MIN_CACHE_SIZE entry in the reserved memory registry to a value less than or equal to VCC_MAX_CACHE at system startup time.

Refer to the *HP OpenVMS System Manager's Manual* for instructions on setting permanent memory allocations for the cache.

VCC_MAX_IO_SIZE (D)

(Alpha only) The dynamic system parameter `VCC_MAX_IO_SIZE` controls the maximum size of I/O that can be cached by the Extended File Cache. It specifies the size in blocks. By default, the size is 127 blocks.

Changing the value of `VCC_MAX_IO_SIZE` affects reads and writes to volumes currently mounted on the local node, as well as reads and writes to volumes mounted in the future.

If `VCC_MAX_IO_SIZE` is 0, the Extended File Cache on the local node cannot cache any reads or writes. However, the system is not prevented from reserving memory for the Extended File Cache during startup if a `VCC$MIN_CACHE_SIZE` entry is in the reserved memory registry.

VCC_MAX_LOCKS

(Alpha only) `VCC_MAX_LOCKS` is a special parameter reserved for HP use only. Extended File Cache intends to use this parameter in future versions.

VCC_MINSIZE

(VAX only) `VCC_MINSIZE` sets the lower limit in pages of memory used by virtual I/O cache.

This special parameter is used by HP and is subject to change. Do not change this parameter unless HP recommends that you do so.

VCC_PTES

(VAX only) The static system parameter `VCC_PTES` controls the maximum size of the virtual I/O cache. It specifies the potential size in pages.

The virtual I/O cache automatically shrinks and grows, depending on your I/O workload and how much spare memory your system has. As your I/O workload increases, the cache automatically grows, but never to more than the maximum size. When your applications need memory, the cache automatically shrinks.

This special parameter is used by HP and is subject to change. Do not change this parameter unless HP recommends that you do so.

VCC_READAHEAD (D)

(Alpha only) The dynamic system parameter `VCC_READAHEAD` controls whether the Extended File Cache can use read-ahead caching. Read-ahead caching is a technique that improves the performance of applications that read data sequentially.

By default `VCC_READAHEAD` is 1, which means that the Extended File Cache can use read-ahead caching. The Extended File Cache detects when a file is being read sequentially in equal-sized I/Os, and fetches data ahead of the current read, so that the next read instruction can be satisfied from cache.

To stop the Extended File Cache from using read-ahead caching, set `VCC_READAHEAD` to 0.

Changing the value of `VCC_READAHEAD` affects volumes currently mounted on the local node, as well as volumes mounted in the future.

Readahead I/Os are totally asynchronous from user I/Os and only take place if sufficient system resources are available.

VCC_WRITEBEHIND

(Alpha only) `VCC_WRITEBEHIND` is reserved for HP use only. Extended File Cache intends to use this parameter in future versions.

System Parameters

C.2 Parameter Descriptions

VCC_WRITE_DELAY

(Alpha only) VCC_WRITE_DELAY is reserved for HP use only.

VECTOR_MARGIN (D)

(VAX only) VECTOR_MARGIN establishes the time interval when the system checks the status of all vector consumers. The VECTOR_MARGIN parameter accepts an integer value between 1 and FFFFFFFF₁₆. This value represents a number of consecutive process quanta (as determined by the system parameter QUANTUM). If the process has not issued any vector instructions in the specified number of quanta, the system declares it a marginal vector consumer.

The default value of the VECTOR_MARGIN parameter is 200₁₀.

VECTOR_PROC

(VAX only) VECTOR_PROC controls loading of vector processing support code. By default, in a VAX vector processing system, the system automatically loads the vector processing support code at boot time. You can override the default behavior by setting the static system parameter VECTOR_PROC to one of the following values:

Value	Result
0	Do not load the vector processing support code, regardless of the system configuration.
1	Load the vector processing support code if at least one vector-present processor exists. This is the default value.
2	Load the vector processing support code if the system is vector-capable. This setting is most useful for a system in which processors have separate power supplies. With this setting, you can reconfigure a vector processor into the system without rebooting the operating system.
3	Always load the vector processing support code.

This parameter is not used on Alpha systems.

VIRTUALPAGECNT (A,G,M)

On VAX systems, VIRTUALPAGECNT sets the maximum number of virtual pages that can be mapped for any one process. A program is allowed to divide its virtual space between the P0 and P1 tables in any proportion.

If you use SYS\$UPDATE:LIBDECOMP.COM to decompress libraries and the VIRTUALPAGECNT setting is low, make sure you set the PGFLQUOTA field in the user authorization file to at least twice the size of the library.

At installation time, AUTOGEN automatically sets an appropriate value for VIRTUALPAGECNT. The value depends on the particular configuration—the type and number of graphics adapters on the system, if any exist. You cannot set VIRTUALPAGECNT below the minimum value required for your graphics configuration.

Because the VIRTUALPAGECNT setting supports hardware address space rather than system memory, do not use the value of VIRTUALPAGECNT that AUTOGEN sets to gauge the size of your page file.

Starting with OpenVMS Version 7.0, VIRTUALPAGECNT has been an obsolete parameter on Alpha systems. Note, however, that the parameter remains in existence on Alpha systems for compatibility purposes and has a default and maximum value of %X7FFFFFFF. SYSBOOT and AUTOGEN enforce this default value.

System Parameters

C.2 Parameter Descriptions

VMS*

VMSD1, VMSD2, VMSD3, VMSD4, VMS5, VMS6, VMS7, and VMS8 are special parameters reserved for HP use. VMSD1 through VMSD4 are dynamic.

VOTES (A)

VOTES establishes the number of votes an OpenVMS Cluster member system contributes to a quorum.

WBM_MSG_INT (D)

WBM_MSG_INT is one of three system parameters that are available for managing the update traffic between a master write bitmap and its corresponding local write bitmaps in an OpenVMS Cluster system. The others are WBM_MSG_UPPER and WBM_MSG_LOWER. These parameters set the interval at which the frequency of sending messages is tested and also set an upper and lower threshold that determine whether the messages are grouped into one SCS message or are sent one by one.

In single-message mode, WBM_MSG_INT is the time interval in milliseconds between assessments of the most suitable write bitmap message mode. In single-message mode, the writes issued by each remote node are, by default, sent one by one in individual SCS messages to the node with the master write bitmap. If the writes sent by a remote node reach an upper threshold of messages during a specified interval, single-message mode switches to buffered-message mode.

In buffered-message mode, WBM_MSG_INT is the maximum time a message waits before it is sent. In buffered-message mode, the messages are collected for a specified interval and then sent in one SCS message. During periods of increased message traffic, grouping multiple messages to send in one SCS message to the master write bitmap is generally more efficient than sending each message separately.

The minimum value of WBM_MSG_INT is 10 milliseconds. The maximum value is -1, which corresponds to the maximum positive value that a longword can represent. The default is 10 milliseconds.

WBM_MSG_LOWER (D)

WBM_MSG_LOWER is one of three system parameters that are available for managing the update traffic between a master write bitmap and its corresponding local write bitmaps in an OpenVMS Cluster system. The others are WBM_MSG_INT and WBM_MSG_UPPER. These parameters set the interval at which the frequency of sending messages is tested and also set an upper and lower threshold that determine whether the messages are grouped into one SCS message or are sent one by one.

WBM_MSG_LOWER is the lower threshold for the number of messages sent during the test interval that initiates single-message mode. In single-message mode, the writes issued by each remote node are, by default, sent one by one in individual SCS messages to the node with the master write bitmap. If the writes sent by a remote node reach an upper threshold of messages during a specified interval, single-message mode switches to buffered-message mode.

The minimum value of WBM_MSG_LOWER is 0 messages per interval. The maximum value is -1, which corresponds to the maximum positive value that a longword can represent. The default is 10.

System Parameters

C.2 Parameter Descriptions

WBM_MSG_UPPER (D)

WBM_MSG_UPPER is one of three system parameters that are available for managing the update traffic between a master write bitmap and its corresponding local write bitmaps in an OpenVMS Cluster system. The others are WBM_MSG_INT and WBM_MSG_LOWER. These parameters set the interval at which the frequency of sending messages is tested and also set an upper and lower threshold that determine whether the messages are grouped into one SCS message or are sent one by one.

WBM_MSG_UPPER is the upper threshold for the number of messages sent during the test interval that initiates buffered-message mode. In buffered-message mode, the messages are collected for a specified interval and then sent in one SCS message.

The minimum value of WBM_MSG_UPPER is 0 messages per interval. The maximum value is -1, which corresponds to the maximum positive value that a longword can represent. The default is 100.

WBM_OPCOM_LVL (D)

WBM_OPCOM_LVL controls whether write bitmap system messages are sent to the operator console. Possible values are shown in the following table:

Value	Description
0	Messages are turned off.
1	The default; messages are provided when write bitmaps are started, deleted, and renamed, and when the SCS message mode (buffered or single) changes.
2	All messages for a setting of 1 are provided plus many more.

WINDOW_SYSTEM (D)

WINDOW_SYSTEM specifies the windowing system to be used on a workstation. Specify one of the following values:

Value	Description
1	Load the DECwindows Motif for OpenVMS workstation environment.
2	Load the UIS workstation environment.

WLKSYSDSK

(Alpha only) WLKSYSDSK is used by various bootstrap components to determine if the system disk should be treated as though it is write-locked. This parameter is used primarily to allow OpenVMS to boot from a CD.

WPRE_SIZE (D)

WPRE_SIZE represents the number of pages to be allocated to accommodate WatchPoint Recovery Entries (WPRE) on the Watchpoint Driver.

This special parameter is used by HP and is subject to change. Do not change this parameter unless HP recommends that you do so.

WPTTE_SIZE (D)

WPTTE_SIZE is the number of entries that the WPDRIVER creates in the WatchPoint Trace Table.

This special parameter is used by HP and is subject to change. Do not change this parameter unless HP recommends that you do so.

WRITABLESYS

WRITABLESYS controls whether system code is writable. This parameter is set (value of 1) for debugging purposes only.

This special parameter is used by HP and is subject to change. Do not change this parameter unless HP recommends that you do so.

WRITESYSPARAMS (D)

On VAX systems, WRITESYSPARAMS indicates that parameters are modified during SYSBOOT and are written out to VAXVMSSYS.PAR by STARTUP.COM.

On Alpha systems, WRITESYSPARAMS indicates that parameters are modified during SYSBOOT and are written out to ALPHAVMSSYS.PAR by STARTUP.COM.

This special parameter is used by HP and is subject to change. Do not change this parameter unless HP recommends that you do so.

WSDEC (A,D,M)

Increasing the value of this parameter tends to increase the speed with which working set limits are decreased when the need arises.

On VAX systems, WSDEC specifies the number of pages by which the limit of a working set is automatically decreased at each adjustment interval (which is quantum end). At a setting of 35, for example, the system decreases the limit of a working set by 35 pages each time a decrease is required.

On Alpha systems, WSDEC specifies the number of pagelets by which the limit of a working set is automatically decreased at each adjustment interval (which is quantum end). At a setting of 35, for example, the system decreases the limit of a working set by 35 pagelets each time a decrease is required.

WSINC (A on Alpha,D,M)

Decreasing the value of this parameter tends to reduce the speed with which working set limits are increased when the need arises. Normally, you should keep this parameter at a high value because a rapid increase in limit is often critical to performance.

On VAX systems, WSINC specifies the number of pages by which the limit of a working set is automatically increased at each adjustment interval (which is quantum end). At a setting of 150, for example, the system increases the limit of a working set by 150 pages each time an increase is required. On VAX systems, the default value is 150 512-byte pages.

On Alpha systems, WSINC specifies the number of pagelets by which the limit of a working set is automatically increased at each adjustment interval (which is quantum end). At a setting of 150, for example, the system increases the limit of a working set by 150 pagelets each time an increase is required. On Alpha systems, the default value is 2400 512-byte pagelets (150 8192-byte Alpha pages).

A value of 0 for WSINC disables the automatic adjustment of working set limits for all processes. Limits stay at their base values. You can disable the automatic adjustment of working set limits on a per-process basis by using the DCL command SET WORKING_SET.

WSMAX (A,G,M)

WSMAX sets the maximum number of pages on a systemwide basis for any working set. WSMAX is calculated as a quarter of the first 32 MB plus a

System Parameters

C.2 Parameter Descriptions

sixteenth of the memory from 32 to 256 MB, plus a sixty-fourth of the memory (if any) above 256 MB.

This is intended to assist managers of systems that host large numbers of users whose working sets are not large. Systems whose user bases consist of a small number of users (or processes) that require large amounts of physical memory (for example, simulations) might need to set MIN_WSMAX to a value that satisfies the requirements of those processes.

WS_OPA0

(VAX only) WS_OPA0 enables OPA0 output to the QVSS screen for a workstation. A value of 1 enables output for OPA0 to the QVSS screen; a value of 0 causes output for OPA0 to be ignored.

XFMAXRATE (D)

XFMAXRATE limits the data transfer rate that can be set for DR32 devices. On some hardware configurations (especially those without interleaved memory), a high DR32 transfer rate could cause a machine check (CPU timeout). The *HP OpenVMS I/O User's Reference Manual* describes how to encode this parameter.

XQPCTL2

XQPCTL2 controls improved concurrency. The default value of XQPCTL2 is 1, which turns on improved concurrency. Setting XQPCTL2 to 0 turns off improved concurrency. This parameter affects local access to the extent and file ID caches.

This special parameter is used by HP and is subject to change. Do not change this parameter unless HP recommends that you do so.

XQPCTLD1

XQPCTLD1 controls multithreading, which can be used only by PATHWORKS servers. The default value of XQPCTLD1 is 8, which enables multithreading. Setting XQPCTLD1 to 0 disables multithreading.

This special parameter is used by HP and is subject to change. Do not change this parameter unless HP recommends that you do so.

ZERO_LIST_HI (A,D)

(Alpha only) ZERO_LIST_HI is the maximum number of pages zeroed and put on the zeroed page list. This list is used as a cache of pages containing all zeros, which improves the performance of allocating such pages.

Configuring Devices with SYSGEN (VAX Only)

Devices supplied by HP are attached to the UNIBUS or Q-bus adapters according to the following basic rules:

- A device of type A is always at a fixed and predefined control and status register (CSR) address; the device always interrupts at a fixed and predefined vector address; only one example of device A can be configured in each system.
- A device of type B is identical to type A except that 1 through n examples can be configured in a single system. Examples 2 through n are also located at fixed and predefined CSRs and vector addresses.
- Devices of type C (1 through n of them) are always at fixed and predefined CSR addresses; however, the interrupt vector addresses vary according to what other devices are present on the system.
- Devices of type D (1 through n of them) are at CSR addresses and vector addresses that vary according to what other devices are present on the system.

CSR and vector addresses that vary are called **floating addresses**. The devices must be located in floating CSR and vector space according to the order in which the devices appear in the SYSGEN device table (see Table D-1). The SYSGEN device table lists all the type A and type B devices supported by the operating system. It also lists the type C and type D devices that are recognized by SYSGEN's autoconfiguration procedure.

The base of floating vector space is 300₈. The base of floating CSR space is 760010₈.

D.1 SYSGEN Device Table (VAX Only)

Table D-1 lists the characteristics of all HP devices. This table indicates the following information for each device type:

- Device name
- Device controller name
- Interrupt vector
- Number of interrupt vectors per controller
- Vector alignment factor
- Address of the first device register for each controller recognized by SYSGEN (the first register is usually, but not always, the CSR)
- Number of registers per controller
- Device driver name

Configuring Devices with SYSGEN (VAX Only)

D.1 SYSGEN Device Table (VAX Only)

- Indication of whether the driver is supported

Devices not listed in Table D–1 are the following ones:

- Devices not supplied by HP with fixed CSR and vector addresses. These devices have no effect on autoconfiguration. Customer-built devices should be assigned CSR and vector addresses beyond the floating address space reserved for HP-supplied devices.
- HP-supplied floating-vector devices that the AUTOCONFIGURE command does not recognize. Use the CONNECT command to attach these devices to the system.

Table D–1 SYSGEN Device Table (VAX Only)

Device Name	Controller Name	Vector	Number of Vectors	Vector Alignment	CSR/Rank	Register Alignment	Driver Name	Support
CR	CR11	230	1	—	777160	—	CRDRIVER	Yes
DM	RK611	210	1	—	777440	—	DMDRIVER	Yes
LP	LP11	200 170 174 270 274	—	—	777514 764004 764014 764024 764034	—	LPDRIVER	Yes
DL	RL11	160	1	—	774400	—	DLDRIVER	Yes
MS	TS11	224	1	—	772520	—	TSDRIVER	Yes
DY	RX211	264	1	—	777170	—	DYDRIVER	Yes
DQ	RB730	250	1	—	775606	—	DQDRIVER	Yes
PU	UDA	154	1	—	772150	—	PUDRIVER	Yes
PT	TU81	260	1	—	774500	—	PUDRIVER	Yes
XE	UNA	120	1	—	774510	—	XEDRIVER	Yes
XQ	QNA	120	1	—	774440	—	XQDRIVER	Yes
OM	DC11	Float	2	8	774000 774010 774020 774030 . . . 32 units maximum	—	OMDRIVER	No
DD	TU58	Float	2	8	776500 776510 776520 776530 . . . 16 units maximum	—	DDRIVER	Yes

(continued on next page)

Configuring Devices with SYSGEN (VAX Only)

D.1 SYSGEN Device Table (VAX Only)

Table D-1 (Cont.) SYSGEN Device Table (VAX Only)

Device Name	Controller Name	Vector	Number of Vectors	Vector Alignment	CSR/Rank	Register Alignment	Driver Name	Support
OB	DN11	Float	1	4	775200 775210 775220 775230 . . . 16 units maximum	—	OBDRIVER	No
YM	DM11B	Float	1	4	770500 770510 770520 770530 . . . 16 units maximum	—	YMDRIVER	No
OA	DR11C	Float	2	8	767600 767570 767560 767550 . . . 16 units maximum	—	OADRIVER	No
PR	PR611	Float	1	8	772600 772604 772610 772614 . . . 8 units maximum	—	PRDRIVER	No
PP	PP611	Float	1	8	772700 772704 772710 772714 . . . 8 units maximum	—	PPDRIVER	No
OC	DT11	Float	2	8	777420 777422 777424 777426 . . . 8 units maximum	—	OCDRIVER	No
OD	DX11	Float	2	8	776200 776240	—	ODDRIVER	No

(continued on next page)

Configuring Devices with SYSGEN (VAX Only)

D.1 SYSGEN Device Table (VAX Only)

Table D-1 (Cont.) SYSGEN Device Table (VAX Only)

Device Name	Controller Name	Vector	Number of Vectors	Vector Alignment	CSR/Rank	Register Alignment	Driver Name	Support
YL	DL11C	Float	2	8	775610 775620 775630 775640 . . 31 units maximum	—	YLDRIVER	No
YJ	DJ11	Float	2	8	Float	8	YJDRIVER	No
YH	DH11	Float	2	8	Float	16	YHDRIVER	No
OE	GT40	Float	4	8	772000 772010	—	OEDRIVER	No
LS	LPS11	Float	6	8	770400	—	LSDRIVER	No
OR	DQ11	Float	2	8	Float	8	ORDRIVER	No
OF	KW11W	Float	2	8	772400	—	OFDRIVER	No
XU	DU11	Float	2	8	Float	8	XUDRIVER	No
XV	DV11	Float	3	8	775000 775040 775100 775140	—	XVDRIVER	No
OG	LK11	Float	2	8	Float	8	OGDRIVER	No
XM	DMC11	Float	2	8	Float	8	XMDRIVER	Yes
TTA	DZ11	Float	2	8	Float	8	DZDRIVER	Yes
XK	KMC11	Float	2	8	Float	8	XKDRIVER	No
OH	LPP11	Float	2	8	Float	8	OHDRIVER	No
OI	VMV21	Float	2	8	Float	8	OIDRIVER	No
OJ	VMV31	Float	2	8	Float	16	OJDRIVER	No
OK	DWR70	Float	2	8	Float	8	OKDRIVER	No
DL	RL11	Float	1	4	Float	8	DLDRIVER	Yes
MS	TS11	Float	1	4	772524 772530 772534	—	TSDRIVER	Yes
LA	LPA11	Float	2	8	770460	—	LADRIVER	Yes
LA	LPA11	Float	2	8	Float	16	LADRIVER	Yes
OL	KW11C	Float	2	8	Float	8	OLDRIVER	No
DY	RX211	Float	1	4	Float	8	DYDRIVER	Yes
XA	DR11W	Float	1	4	Float	8	XADRIVER	Yes
XB	DR11B	124	—	—	772410	—	XBDRIVER	No
XB	DR11B	Float	1	4	772430	—	XBDRIVER	No
XB	DR11B	Float	1	4	Float	8	XBDRIVER	No
XD	DMP11	Float	2	8	Float	8	XDDRIVER	Yes

(continued on next page)

Configuring Devices with SYSGEN (VAX Only)

D.1 SYSGEN Device Table (VAX Only)

Table D–1 (Cont.) SYSGEN Device Table (VAX Only)

Device Name	Controller Name	Vector	Number of Vectors	Vector Alignment	CSR/Rank	Register Alignment	Driver Name	Support
ON	DPV11	Float	2	8	Float	8	ONDRIVER	No
IS	ISB11	Float	2	8	Float	8	ISDRIVER	No
XD	DMV11	Float	2	8	Float	16	XDDRIVER	No
XE	UNA	Float	1	4	Float	8	XEDRIVER	No
XQ	QNA	Float	1	4	774460	—	XQDRIVER	Yes
PU	UDA	Float	1	4	Float	4	PUDRIVER	Yes
XS	KMS11	Float	3	8	Float	16	XSDRIVER	No
XP	PCL11	Float	2	8	764200 764240 764300 764340	—	XPDRIVER	No
VB	VS100	Float	1	4	Float	16	VBDRIVER	No
PT	TU81	Float	1	4	Float	4	PUDRIVER	Yes
OQ	KMV11	Float	2	8	Float	16	OQDRIVER	No
UK	KCT32	Float	2	8	764400 764440 764500 764540	—	UKDRIVER	No
IX	IEQ11	Float	2	8	764100	—	IXDRIVER	No
TX	DHV11	Float	2	8	Float	16	YFDRIVER	Yes
DT	TC11	214	1	—	777340	—	DTDRIVER	No
VC	VCB01	Float	2	1	777200	—	VCDRIVER	Yes
VC	VCB01	Float	2	1	Float	64	VCDRIVER	Yes
OT	LNV11	Float	1	4	776200	—	OTDRIVER	No
LD	LNV21	Float	1	4	Float	16	LDDRIVER	No
ZQ	QTA	Float	1	4	772570	—	ZQDRIVER	No
ZQ	QTA	Float	1	4	Float	8	ZQDRIVER	No
SJ	DSV11	Float	1	4	Float	8	SJDRIVER	No
OU	ADV11C	Float	2	8	Float	8	OUDRIVER	No
OV	AAV11	Float	0	8	770440	—	OVDRIVER	No
OV	AAV11C	Float	0	8	Float	8	OVDRIVER	No
AX	AXV11C	140	2	—	776400	—	AXDRIVER	No
AX	AXV11C	Float	2	8	Float	8	AXDRIVER	No
KZ	KWV11C	Float	2	8	770420	—	KZDRIVER	No
KZ	KWV11C	Float	2	8	Float	4	KZDRIVER	No
AZ	ADV11D	Float	2	8	776410	—	AZDRIVER	No
AZ	ADV11D	Float	2	8	Float	4	AZDRIVER	No
AY	AAV11D	Float	2	8	776420	—	AYDRIVER	No
AY	AAV11D	Float	2	8	Float	4	AYDRIVER	No

(continued on next page)

Configuring Devices with SYSGEN (VAX Only)

D.1 SYSGEN Device Table (VAX Only)

Table D-1 (Cont.) SYSGEN Device Table (VAX Only)

Device Name	Controller Name	Vector	Number of Vectors	Vector Alignment	CSR/Rank	Register Alignment	Driver Name	Support
VA	VCB02	Float	3	16	777400 777402 777404 777406 . . 8 units maximum	—	VADRIVER	Yes
DN	DRV11J	Float	16	4	764160 764140 764120	—	DNDRIVER	No
HX	DRQ3B	Float	2	8	Float	16	HXDRIVER	No
VQ	VSV24	Float	1	4	Float	8	VQDRIVER	No
VV	VSV21	Float	1	4	Float	8	VVDRIVER	No
BQ	IBQ01	Float	1	4	Float	8	BQDRIVER	No
UT	MIRA	Float	2	8	Float	8	UTDRIVER	No
IX	IEQ11	Float	2	8	Float	16	IXDRIVER	No
AW	ADQ32	Float	2	8	Float	32	AWDRIVER	No
VX	DTC04	Float	2	8	Float	2	VXDRIVER	No
CQ	DESNA	Float	1	4	Float	32	CQDRIVER	No
GQ	IGQ11	Float	2	8	Float	4	GQDRIVER	No

D.2 Configuring VAXstation 2000 and MicroVAX 2000 Devices (VAX Only)

The System Generation utility (SYSGEN) connects devices, loads their drivers, creates the data structures by which the operating system and drivers coordinate their activities, and calls device initialization routines. In general, SYSGEN is invoked for these purposes late in system initialization during the execution of the system startup command procedure, SYS\$SYSTEM:STARTUP.COM.

Configuring Devices with SYSGEN (VAX Only)

D.2 Configuring VAXstation 2000 and MicroVAX 2000 Devices (VAX Only)

At that time, STARTUP.COM issues a SYSGEN command AUTOCONFIGURE ALL. SYSGEN's Autoconfigure facility examines its table of possible VAXstation 2000 and MicroVAX 2000 devices (see Table D-2), determines which devices are attached to the system, and configures existing devices using information in the table.

HP strongly recommends that you accept the default behavior of STARTUP.COM. If you must exclude a specific device from being configured, you must first prevent STARTUP.COM from performing the autoconfiguration by setting the SYSBOOT parameter NOAUTOCONFIG. After invoking SYSGEN, you should ensure that the base asynchronous serial ports are always autoconfigured. To do this, enter the following command:

```
SYSGEN> AUTOCONFIGURE ALL/SELECT=TT:
```

You can also enter an AUTOCONFIGURE ALL/EXCLUDE=(device-name[,...]) command, making sure not to exclude the serial lines. Subsequent CONNECT statements should be written with the appropriate *csr_addr* value to the command's /CSR qualifier, as shown in Table D-2. These *csr_addr* values are actually offsets from the beginning of VAXstation 2000 and MicroVAX 2000 I/O space (EXE\$GL_CPUNODSP), thus differing from the customary bus address value traditionally specified for UNIBUS devices in the CONNECT command.

Table D-2 VAXstation 2000 Autoconfiguration Table (VAX Only)

Device	Name	Driver	CSR	Number of Vectors	First Vector	Vector Offset
Standard Serial Lines	TT	YEDRIVER	^X0800	2	^O300	4
ST506 Disk Controller	DU	DVDRIVER	^X0C00	1	^O774	—
TK50 Tape Controller	MU	TVDRIVER	^X0C80	1	^O770	—
Ethernet Controller	ES	ESDRIVER	^X4E00	1	^O120	—
MicroVAX 2000 Serial Lines	YF	YFDRIVER	^X6800	2	^O104	4
32-Channel Synchronous Lines	ZS	ZSDRIVER	^X6800	1	^O110	—
Color Video Option	VA	VFDRIVER	^X6A00	2	^O104	4
Black & White Video Option	VC	VEDRIVER	^X5000	1	^O104	—

Examples of correct CONNECT commands for VAXstation 2000 and MicroVAX 2000 devices include the following ones:

```
CONNECT ESA0 /ADAP=0 /CSR=%X4E00 /VECT=%O120 /NUMV=01 /DRIVER=ESDRIVER
CONNECT MUA0 /ADAP=0 /CSR=%X0C80 /VECT=%O770 /NUMV=01 /DRIVER=TVDRIVER
CONNECT DUA0 /ADAP=0 /CSR=%X0C00 /VECT=%O774 /NUMV=01 /DRIVER=DVDRIVER
CONNECT DUA1 /ADAP=0 /CSR=%X0C00 /VECT=%O774 /NUMV=01 /DRIVER=DVDRIVER
CONNECT DUA2 /ADAP=0 /CSR=%X0C00 /VECT=%O774 /NUMV=01 /DRIVER=DVDRIVER
CONNECT VCA0 /ADAP=0 /CSR=%X5000 /VECT=%O104 /NUMV=01 /DRIVER=VEDRIVER
CONNECT VCA0 /ADAP=0 /CSR=%X5000 /VECT=%O104 /NUMV=02 /DRIVER=VFDRIVER
```


A

Access control

- required by ACL editor, *Vol. 1: A-L*, 1–4
- with Identifier ACEs, *Vol. 1: A-L*, 1–14
- with protection codes, *Vol. 1: A-L*, 1–13

Access control entries

- See ACEs

Access control list editor

- See ACL editor

Access control lists

- See ACLs

Accounting

- enabling image-level accounting, *Vol. 1: A-L*, 12–7, 12–23

ACCOUNTING command, *Vol. 1: A-L*, 2–3

Accounting files

- copying records between, *Vol. 1: A-L*, 2–8, 2–24
- processing to produce reports, *Vol. 1: A-L*, 2–9, 2–12, 2–33
- record format of, *Vol. 1: A-L*, C–1
- types of record in, *Vol. 1: A-L*, 2–37

Accounting reports

- brief reports, *Vol. 1: A-L*, 2–9
- full reports, *Vol. 1: A-L*, 2–12
- summary reports, *Vol. 1: A-L*, 2–33

Accounting utility (ACCOUNTING), *Vol. 1: A-L*, 2–3

ACEs (access control entries), *Vol. 1: A-L*, 1–3, 1–5

- application-specific, *Vol. 1: A-L*, 1–5
- Creator ACEs, *Vol. 1: A-L*, 1–10
- Default Protection ACEs, *Vol. 1: A-L*, 1–12
- Identifier ACEs, *Vol. 1: A-L*, 1–14
- ordering entries in an ACL, *Vol. 1: A-L*, 1–3
- relationship to ACLs, *Vol. 1: A-L*, 1–3
- security alarm, *Vol. 1: A-L*, 1–6
- security audit, *Vol. 1: A-L*, 1–8
- Subsystem ACEs, *Vol. 1: A-L*, 1–16

ACL editor, *Vol. 1: A-L*, 1–3

- ACL qualifiers, *Vol. 1: A-L*, 1–18 to 1–23
- /CLASS qualifier, *Vol. 1: A-L*, 1–19
- control access to objects, *Vol. 1: A-L*, 1–4
- customizing, *Vol. 1: A-L*, B–1
- exiting from, *Vol. 1: A-L*, 1–4
- file format required, *Vol. 1: A-L*, 1–4
- how to use, *Vol. 1: A-L*, 1–3

ACL editor (cont'd)

- invoking, *Vol. 1: A-L*, 1–3
 - /JOURNAL qualifier, *Vol. 1: A-L*, 1–20
 - keypad editing, *Vol. 1: A-L*, A–1
 - /MODE qualifier, *Vol. 1: A-L*, 1–21
 - object ownership, *Vol. 1: A-L*, 1–4
 - /OBJECT_TYPE qualifier, *Vol. 1: A-L*, 1–22
 - privileges required, *Vol. 1: A-L*, 1–4
 - prompting by, *Vol. 1: A-L*, A–1
 - /RECOVER qualifier, *Vol. 1: A-L*, 1–23
 - specifying file type, *Vol. 1: A-L*, 1–4
 - specifying object class, *Vol. 1: A-L*, 1–4, 1–19
 - wildcard restriction, *Vol. 1: A-L*, 1–4
- ### ACLs (access control lists)
- impact of length on performance, *Vol. 1: A-L*, 1–3
 - list of supported object classes, *Vol. 1: A-L*, 1–3
 - relationship to ACEs, *Vol. 1: A-L*, 1–3
 - rules for ordering entries, *Vol. 1: A-L*, 1–3

ACL section files, *Vol. 1: A-L*, B–1

ACP system parameters

- See also System parameters
- ACP_BASEPRIO, *Vol. 2: M-Z*, C–7
- ACP_DATACHECK, *Vol. 2: M-Z*, C–7
- ACP_DINDXCACHE, *Vol. 2: M-Z*, C–8
- ACP_DIRCACHE, *Vol. 2: M-Z*, C–8
- ACP_EXTCACHE, *Vol. 2: M-Z*, C–8
- ACP_EXTLIMIT, *Vol. 2: M-Z*, C–8
- ACP_FIDCACHE, *Vol. 2: M-Z*, C–9
- ACP_HDRCACHE, *Vol. 2: M-Z*, C–9
- ACP_MAPCACHE, *Vol. 2: M-Z*, C–9
- ACP_MAXREAD, *Vol. 2: M-Z*, C–9
- ACP_MULTIPLE, *Vol. 2: M-Z*, C–9
- ACP_QUOCACHE, *Vol. 2: M-Z*, C–9
- ACP_REBLDSYSD, *Vol. 2: M-Z*, C–9
- ACP_SHARE, *Vol. 2: M-Z*, C–9
- ACP_SWAPFLGS, *Vol. 2: M-Z*, C–9
- ACP_SYSACC, *Vol. 2: M-Z*, C–10
- ACP_WINDOW, *Vol. 2: M-Z*, C–10
- ACP_WORKSET, *Vol. 2: M-Z*, C–10
- ACP_WRITEBACK, *Vol. 2: M-Z*, C–10
- ACP_XQP_RES, *Vol. 2: M-Z*, C–10

Actual node name, *Vol. 1: A-L*, 14–63

Actual port name, *Vol. 1: A-L*, 14–63

Actual service name, *Vol. 1: A-L*, 14–63

Adapters

- See Bus adapters

ADD (Field) command
 in Show Cluster utility, *Vol. 2: M-Z*, 5–32
 ADD/IDENTIFIER command
 in Authorize utility, *Vol. 1: A-L*, 5–21
 ADD/PROXY command
 in Authorize utility, *Vol. 1: A-L*, 5–23
 ADD CIRCUITS command
 in Show Cluster utility, *Vol. 2: M-Z*, 5–23
 ADD CLUSTER command
 in Show Cluster utility, *Vol. 2: M-Z*, 5–25
 ADD command
 in Authorize utility, *Vol. 1: A-L*, 5–7
 in Install utility, *Vol. 1: A-L*, 12–6
 ADD CONNECTIONS command
 in Show Cluster utility, *Vol. 2: M-Z*, 5–27
 ADD COUNTERS command
 in Show Cluster utility, *Vol. 2: M-Z*, 5–29
 ADD CREDITS command
 in Show Cluster utility, *Vol. 2: M-Z*, 5–31
 ADD DEVICE command
 in UCM, *Vol. 2: M-Z*, 8–12
 ADD ERRORS command
 in Show Cluster utility, *Vol. 2: M-Z*, 5–32
 ADD LOCAL_PORTS command
 in Show Cluster utility, *Vol. 2: M-Z*, 5–35
 ADD MEMBERS command
 in Show Cluster utility, *Vol. 2: M-Z*, 5–37
 ADD SYSTEMS command
 in Show Cluster utility, *Vol. 2: M-Z*, 5–38
 AFFINITY_SKIP system parameter, *Vol. 2: M-Z*,
 C–11
 AFFINITY_TIME system parameter, *Vol. 2: M-Z*,
 C–11
 AGEN\$FEEDBACK.DAT file, *Vol. 1: A-L*, 6–8,
 6–9
 AGEN\$FEEDBACK.EXE file, *Vol. 1: A-L*, 6–8
 AGEN\$PARAMS.REPORT file, *Vol. 1: A-L*, 6–10
 Alarm ACEs, *Vol. 1: A-L*, 1–6
 keywords, *Vol. 1: A-L*, 1–7
 specifying access
 criteria for, *Vol. 1: A-L*, 1–7
 specifying attributes for, *Vol. 1: A-L*, 1–6
 Alarm messages
 See Security alarm messages
 ALF (automatic login facility)
 adding records, *Vol. 2: M-Z*, 7–12
 displaying records, *Vol. 2: M-Z*, 7–16
 removing records, *Vol. 2: M-Z*, 7–14
 ALF ADD command
 in SYSMAN, *Vol. 2: M-Z*, 7–12
 ALF REMOVE command
 in SYSMAN, *Vol. 2: M-Z*, 7–14
 ALF SHOW command
 in SYSMAN, *Vol. 2: M-Z*, 7–16
 /ALIAS qualifier
 in Backup utility, *Vol. 1: A-L*, 7–15
 ALLOCLASS system parameter, *Vol. 2: M-Z*,
 C–11
 ALPHAVMSSYS.OLD file, *Vol. 1: A-L*, 6–11
 ALPHAVMSSYS.PAR file, *Vol. 1: A-L*, 6–11
 ANALYZE/AUDIT command, *Vol. 1: A-L*, 4–4
 See also Audit Analysis utility
 /BEFORE qualifier, *Vol. 1: A-L*, 4–5
 /BINARY qualifier, *Vol. 1: A-L*, 4–6
 /BRIEF qualifier, *Vol. 1: A-L*, 4–7
 /EVENT_TYPE qualifier, *Vol. 1: A-L*, 4–8
 /FULL qualifier, *Vol. 1: A-L*, 4–10
 /IGNORE qualifier, *Vol. 1: A-L*, 4–11
 /INTERACTIVE qualifier, *Vol. 1: A-L*, 4–12
 /OUTPUT qualifier, *Vol. 1: A-L*, 4–4, 4–13
 /PAUSE qualifier, *Vol. 1: A-L*, 4–14
 /SELECT qualifier, *Vol. 1: A-L*, 4–15
 /SINCE qualifier, *Vol. 1: A-L*, 4–25
 /SUMMARY qualifier, *Vol. 1: A-L*, 4–26
 ANALYZE/DISK_STRUCTURE
 invoking, *Vol. 1: A-L*, 3–7
 ANALYZE/DISK_STRUCTURE stages, *Vol. 1:*
 A-L, D–1
 Analyze/Disk_Structure utility (ANALYZE/DISK_
 STRUCTURE)
 directing output, *Vol. 1: A-L*, 3–6, 3–13
 examining shadow sets, *Vol. 1: A-L*, 3–17
 file recovery, *Vol. 1: A-L*, 3–5
 parameter, *Vol. 1: A-L*, 3–6
 preventing updates to a volume, *Vol. 1: A-L*,
 3–12
 qualifiers, *Vol. 1: A-L*, 3–7 to 3–21
 /HOMEBLOCKS, *Vol. 1: A-L*, 3–10
 /[NO]CONFIRM, *Vol. 1: A-L*, 3–9
 /[NO]LIST, *Vol. 1: A-L*, 3–11
 /[NO]LOCK_VOLUME, *Vol. 1: A-L*, 3–12
 /[NO]OUTPUT, *Vol. 1: A-L*, 3–13
 /[NO]READ_CHECK, *Vol. 1: A-L*, 3–14
 /[NO]REPAIR, *Vol. 1: A-L*, 3–16
 /RECORD_ATTRIBUTES, *Vol. 1: A-L*,
 3–15
 /SHADOW, *Vol. 1: A-L*, 3–17
 /STATISTICS, *Vol. 1: A-L*, 3–19
 /USAGE, *Vol. 1: A-L*, 3–21
 repairing disk errors, *Vol. 1: A-L*, 3–4, 3–16
 reporting disk errors, *Vol. 1: A-L*, 3–4
 requirements and limitations, *Vol. 1: A-L*, 3–7
 ANALYZE/ERROR_LOG/ELV command, *Vol. 1:*
 A-L, 11–3
 See also the Error Log Viewer (ELV)
 ANALYZE/ERROR_LOG command, *Vol. 1: A-L*,
 10–3
 See also the Error Log Report Formatter (ERF)
 utility
 Application port, *Vol. 1: A-L*, 14–11, 14–43, 14–44
 displaying, *Vol. 1: A-L*, 14–61
 mapping, *Vol. 1: A-L*, 14–45

- Application service, *Vol. 1: A-L*, 14–11, 14–15, 14–43, 14–47
 - defined, *Vol. 1: A-L*, 14–17
 - setting up, *Vol. 1: A-L*, 14–43
- /ARB_SUPPORT
 - qualifier for CREATE command, *Vol. 1: A-L*, 12–7, 12–23
- ARB_SUPPORT system parameter, *Vol. 2: M-Z*, C–11
- Arrow keys
 - definition, *Vol. 2: M-Z*, 5–71
 - functions of, *Vol. 2: M-Z*, B–3
- /ASSIST qualifier
 - in Backup utility, *Vol. 1: A-L*, 7–16
- Asterisk (*)
 - as wildcard character, *Vol. 1: A-L*, 7–8
- Asynchronous device
 - LAT application ports for, *Vol. 1: A-L*, 14–11, 14–43
- ATTACH command
 - in LATCP, *Vol. 1: A-L*, 14–5
 - in SYSMAN, *Vol. 2: M-Z*, 7–17
- Attributes
 - Dynamic, *Vol. 1: A-L*, 5–21, 5–52, 5–74
 - Holder Hidden, *Vol. 1: A-L*, 5–21, 5–52, 5–74
 - Name Hidden, *Vol. 1: A-L*, 5–21, 5–52, 5–74
 - No Access, *Vol. 1: A-L*, 5–21, 5–52, 5–74
 - Resource, *Vol. 1: A-L*, 5–21, 5–52, 5–74
 - specifying identifier characteristics, *Vol. 1: A-L*, 1–17
 - Subsystem, *Vol. 1: A-L*, 5–21, 5–52, 5–74
- Audit ACEs, *Vol. 1: A-L*, 1–8
 - specifying access, *Vol. 1: A-L*, 1–9
 - specifying attributes, *Vol. 1: A-L*, 1–8
- Audit Analysis utility (ANALYZE/AUDIT), *Vol. 1: A-L*, 4–3 to 4–38
 - CONTINUE command, *Vol. 1: A-L*, 4–29
 - default input file, *Vol. 1: A-L*, 4–4
 - directing output, *Vol. 1: A-L*, 4–4
 - DISPLAY command, *Vol. 1: A-L*, 4–30
 - displaying current selection criteria, *Vol. 1: A-L*, 4–38
 - EXIT command, *Vol. 1: A-L*, 4–32
 - exiting from, *Vol. 1: A-L*, 4–4, 4–32
 - HELP command, *Vol. 1: A-L*, 4–33
 - interactive commands, *Vol. 1: A-L*, 4–12, 4–28
 - invoking, *Vol. 1: A-L*, 4–4
 - LIST command, *Vol. 1: A-L*, 4–34
 - NEXT FILE command, *Vol. 1: A-L*, 4–35
 - NEXT RECORD command, *Vol. 1: A-L*, 4–36
 - POSITION command, *Vol. 1: A-L*, 4–37
 - qualifiers, *Vol. 1: A-L*, 4–4
 - selecting by access type, *Vol. 1: A-L*, 4–15
 - selecting by account name, *Vol. 1: A-L*, 4–15
 - selecting by device name, *Vol. 1: A-L*, 4–16
 - selecting by facility, *Vol. 1: A-L*, 4–16
 - selecting by identifier, *Vol. 1: A-L*, 4–17
 - selecting by identifier holder, *Vol. 1: A-L*, 4–17
- Audit Analysis utility (ANALYZE/AUDIT) (cont'd)
 - selecting by image name, *Vol. 1: A-L*, 4–18
 - selecting by installation event, *Vol. 1: A-L*, 4–18
 - selecting by local proxy account, *Vol. 1: A-L*, 4–18
 - selecting by network attribute, *Vol. 1: A-L*, 4–22
 - selecting by object, *Vol. 1: A-L*, 4–20
 - selecting by parent process, *Vol. 1: A-L*, 4–21
 - selecting by privilege, *Vol. 1: A-L*, 4–21
 - selecting by process, *Vol. 1: A-L*, 4–21
 - selecting by success status, *Vol. 1: A-L*, 4–22
 - selecting by system characteristic, *Vol. 1: A-L*, 4–23
 - selecting by terminal name, *Vol. 1: A-L*, 4–23
 - selecting by user name, *Vol. 1: A-L*, 4–23
 - selecting by volume, *Vol. 1: A-L*, 4–16, 4–18, 4–19, 4–23
 - SHOW command, *Vol. 1: A-L*, 4–38
- Audit data packets
 - See Security audit data packets
- Audit event flags
 - See Security audit event messages
- Audit header packets
 - See Security audit header packets
- Auditing security records
 - See Security audit records
- Audit log files
 - See Security audit log files
- Audit messages
 - See Security audit event messages
- Audit reports
 - See Security audit reports
- AUTHORIZE command
 - See Authorize utility
- Authorized privileges
 - assigning to known images, *Vol. 1: A-L*, 12–24
- Authorize utility (AUTHORIZE)
 - ADD/IDENTIFIER command, *Vol. 1: A-L*, 5–21
 - ADD/PROXY command, *Vol. 1: A-L*, 5–23
 - ADD command, *Vol. 1: A-L*, 5–7
 - commands summary (table), *Vol. 1: A-L*, 5–6
 - controlling access with identifiers, *Vol. 1: A-L*, 1–14
 - COPY command, *Vol. 1: A-L*, 5–25
 - CREATE/PROXY command, *Vol. 1: A-L*, 5–37
 - CREATE/RIGHTS command, *Vol. 1: A-L*, 5–38
 - DEFAULT command, *Vol. 1: A-L*, 5–39
 - default password, *Vol. 1: A-L*, 5–7
 - DEFAULT record, *Vol. 1: A-L*, 5–7
 - EXIT command, *Vol. 1: A-L*, 5–51
 - exiting from, *Vol. 1: A-L*, 5–5
 - GRANT/IDENTIFIER command, *Vol. 1: A-L*, 5–52

Authorize utility (AUTHORIZE) (cont'd)

- HELP command, *Vol. 1: A-L*, 5–54
- invoking, *Vol. 1: A-L*, 5–4
- LIST/IDENTIFIER command, *Vol. 1: A-L*, 5–58
- LIST/PROXY command, *Vol. 1: A-L*, 5–60
- LIST/RIGHTS command, *Vol. 1: A-L*, 5–61
- LIST command, *Vol. 1: A-L*, 5–56
- login flags, *Vol. 1: A-L*, 5–10, 5–28, 5–42, 5–65
- MODIFY/IDENTIFIER command, *Vol. 1: A-L*, 5–74
- MODIFY/PROXY command, *Vol. 1: A-L*, 5–76
- MODIFY/SYSTEM_PASSWORD command, *Vol. 1: A-L*, 5–78
- MODIFY command, *Vol. 1: A-L*, 5–62
- privileges required, *Vol. 1: A-L*, 5–3
- REMOVE/IDENTIFIER command, *Vol. 1: A-L*, 5–80
- REMOVE/PROXY command, *Vol. 1: A-L*, 5–81
- REMOVE command, *Vol. 1: A-L*, 5–79
- RENAME/IDENTIFIER command, *Vol. 1: A-L*, 5–85
- RENAME command, *Vol. 1: A-L*, 5–82
- restrictions, *Vol. 1: A-L*, 5–3
- REVOKE/IDENTIFIER command, *Vol. 1: A-L*, 5–86
- SHOW/IDENTIFIER command, *Vol. 1: A-L*, 5–92
- SHOW/PROXY command, *Vol. 1: A-L*, 5–94
- SHOW/RIGHTS command, *Vol. 1: A-L*, 5–96
- SHOW command, *Vol. 1: A-L*, 5–87

Autoconfiguration

- Alpha devices, *Vol. 2: M-Z*, 7–69
- VAXstation 2000 (table), *Vol. 2: M-Z*, D–7
- VAXstation 2000 and MicroVAX 2000 devices, *Vol. 2: M-Z*, D–6

AUTOCONFIGURE command

- in SYSGEN, *Vol. 2: M-Z*, 6–5

AUTOGEN

- NEWPARAMS.DAT file, *Vol. 1: A-L*, 6–3

AUTOGEN.COM command procedure, *Vol. 1: A-L*, 6–3

- calculation of parameter values, *Vol. 1: A-L*, 6–10
- collection of data, *Vol. 1: A-L*, 6–9, 6–10
- displaying page, swap, and dump file size calculations, *Vol. 1: A-L*, 6–10
- end phase
 - default, *Vol. 1: A-L*, 6–13
 - specifying when invoking, *Vol. 1: A-L*, 6–13
- examining calculations of, *Vol. 1: A-L*, 6–7
- execution mode
 - specifying when invoking, *Vol. 1: A-L*, 6–13
- feedback, *Vol. 1: A-L*, 6–3, 6–8
 - collection of, *Vol. 1: A-L*, 6–8
 - data file, *Vol. 1: A-L*, 6–8

AUTOGEN.COM command procedure

- feedback (cont'd)
 - parameters affected by, *Vol. 1: A-L*, 6–8
- files used by, *Vol. 1: A-L*, 6–12
- generation of known image file list (VMSIMAGES.DAT), *Vol. 1: A-L*, 6–10
- GENFILES phase, *Vol. 1: A-L*, 6–11
- GENPARAMS phase, *Vol. 1: A-L*, 6–10
- GETDATA phase, *Vol. 1: A-L*, 6–10
- HELP phase, *Vol. 1: A-L*, 6–12
- input files, *Vol. 1: A-L*, 6–12
- invoking, *Vol. 1: A-L*, 6–13
- operations performed by, *Vol. 1: A-L*, 6–9
- output files, *Vol. 1: A-L*, 6–12
- parameters to, *Vol. 1: A-L*, 6–13
- phases, *Vol. 1: A-L*, 6–9
 - specifying when invoking, *Vol. 1: A-L*, 6–13
- REBOOT phase, *Vol. 1: A-L*, 6–11
- restriction with changing system files sizes, *Vol. 1: A-L*, 6–11
- SAVPARAMS phase, *Vol. 1: A-L*, 6–9
- SETPARAMS phase, *Vol. 1: A-L*, 6–11
- SHUTDOWN phase, *Vol. 1: A-L*, 6–11
- start phase
 - default, *Vol. 1: A-L*, 6–13
 - specifying when invoking, *Vol. 1: A-L*, 6–13
- system parameters affected by, *Vol. 1: A-L*, 6–7
- system parameters affected by feedback, *Vol. 1: A-L*, 6–8
- TESTFILES phase, *Vol. 1: A-L*, 6–10
 - when to run, *Vol. 1: A-L*, 6–6

AUTOGEN.PAR, *Vol. 1: A-L*, 6–9, 6–11

Automatic login facility

- See ALF

AUTO_DLIGHT_SAV system parameter, *Vol. 2: M-Z*, C–12

AWSMIN system parameter, *Vol. 2: M-Z*, C–12

AWSTIME system parameter, *Vol. 2: M-Z*, C–12

B

Backlinks

- directory
 - definition, *Vol. 1: A-L*, 3–4

Backup

- image
 - See Image backup
- incremental
 - See Incremental backup
- standalone
 - See Standalone BACKUP

BACKUP command, *Vol. 1: A-L*, 7–5 to 7–96

- See also Backup utility
- element lists, *Vol. 1: A-L*, 7–6

BACKUP command (cont'd)
 format, *Vol. 1: A-L, 7-5*
 input specifier, *Vol. 1: A-L, 7-5*
 output specifier, *Vol. 1: A-L, 7-5*
 specifying wildcard characters, *Vol. 1: A-L, 7-8*
 types of qualifiers, *Vol. 1: A-L, 7-7*
 using with save sets, *Vol. 1: A-L, 7-5*

/BACKUP qualifier
 in Backup utility, *Vol. 1: A-L, 7-17*

Backup utility (BACKUP)
 command line qualifiers, *Vol. 1: A-L, 7-7*
 command line syntax, *Vol. 1: A-L, 7-5*
 compare operation for, *Vol. 1: A-L, 7-26*
 /DELETE qualifier, *Vol. 1: A-L, 7-33*
 directing output from, *Vol. 1: A-L, 7-11*
 exiting from, *Vol. 1: A-L, 7-11*
 improving the speed of, *Vol. 1: A-L, 7-41*
 invoking, *Vol. 1: A-L, 7-11*
 /JOURNAL qualifier, *Vol. 1: A-L, 7-59*
 list operation, *Vol. 1: A-L, 7-20, 7-43, 7-64*
 qualifiers
 command, *Vol. 1: A-L, 7-7*
 input file-selection, *Vol. 1: A-L, 7-7*
 input save-set, *Vol. 1: A-L, 7-7*
 output file, *Vol. 1: A-L, 7-7*
 output save-set, *Vol. 1: A-L, 7-7*
 position-dependent, *Vol. 1: A-L, 7-8*
 selective, *Vol. 1: A-L, 7-17, 7-18, 7-39, 7-40, 7-68*
 using to compare files, *Vol. 1: A-L, 7-26*

BALSETCNT system parameter, *Vol. 2: M-Z, C-12*

Batch execution
 on remote nodes, *Vol. 2: M-Z, 7-5*

/BEFORE qualifier
 in Backup utility, *Vol. 1: A-L, 7-18*

/BEGINNING qualifier, *Vol. 2: M-Z, 5-15*
 in Monitor utility, *Vol. 2: M-Z, 1-12*

Binary output from Audit Analysis utility, *Vol. 1: A-L, 4-6*

Blocks
 erasing, *Vol. 1: A-L, 3-5*

/BLOCK_SIZE qualifier
 in Backup utility, *Vol. 1: A-L, 7-19*

Bootstrap operations, *Vol. 2: M-Z, 6-3*

BORROWLIM system parameter, *Vol. 2: M-Z, C-12*

Break-in attempts
 LAT protocol, *Vol. 2: M-Z, C-27*
 Telnet Protocol, *Vol. 2: M-Z, C-27*

BREAKPOINTS system parameter, *Vol. 2: M-Z, C-13*

Brief format listings, *Vol. 1: A-L, 4-7*

/BRIEF qualifier
 in Backup utility, *Vol. 1: A-L, 7-20*

Brief report
 example, *Vol. 1: A-L, 9-34*

Buffers
 per-connection
 allocating, *Vol. 2: M-Z, C-14*

/BUFFER_COUNT qualifier
 in Backup utility, *Vol. 1: A-L, 7-21*

BUGCHECK
 dumps System Dump Priority processes early, *Vol. 2: M-Z, 7-57*
 in-memory hardcoded list of priority processes, *Vol. 2: M-Z, 7-57*

BUGCHECKFATAL system parameter, *Vol. 2: M-Z, C-13*

BUGREBOOT system parameter, *Vol. 2: M-Z, C-13*

Bus adapters
 generic names, *Vol. 2: M-Z, 6-31*
 listing, *Vol. 2: M-Z, 6-31*
 nexus numbers, *Vol. 2: M-Z, 6-31*
 specifying, *Vol. 2: M-Z, 6-5, 6-10*

Buses
 display on Alpha systems, *Vol. 2: M-Z, 7-87*

/BY_NODE qualifier
 in Monitor utility, *Vol. 2: M-Z, 1-12*

/BY_OWNER qualifier
 as Backup utility input file qualifier, *Vol. 1: A-L, 7-22*
 as Backup utility output file qualifier, *Vol. 1: A-L, 7-23*
 as Backup utility output save-set qualifier, *Vol. 1: A-L, 7-24*

C

Changing page, swap, and dump file sizes, *Vol. 1: A-L, 6-3*

Changing system parameters
 recommended method, *Vol. 1: A-L, 6-3*

CHANNELCNT system parameter, *Vol. 2: M-Z, C-13*

Checksumming
 enabling on VCs, *Vol. 2: M-Z, 4-19*

CHECK_CLUSTER system parameter, *Vol. 2: M-Z, C-13*

CHECK_FEEDBACK mode, *Vol. 1: A-L, 6-12*

CIRCUITS class
 adding, *Vol. 2: M-Z, 5-23*
 fields belonging to, *Vol. 2: M-Z, 5-3*
 removing, *Vol. 2: M-Z, 5-52*

Circuit timer, *Vol. 1: A-L, 14-33*

Classes
 SHOW CLUSTER, *Vol. 2: M-Z, 5-3*

Classname qualifier
 in Monitor utility
 /ALL, *Vol. 2: M-Z, 1-56*
 /CPU, *Vol. 2: M-Z, 1-42*
 /ITEM, *Vol. 2: M-Z, 1-26, 1-62*
 /TOPBIO, *Vol. 2: M-Z, 1-50*
 /TOPCPU, *Vol. 2: M-Z, 1-50*

Classname qualifier
 in Monitor utility (cont'd)
 /TOPDIO, *Vol. 2: M-Z*, 1–50
 /TOPFAULT, *Vol. 2: M-Z*, 1–50
 /TOPRBS, *Vol. 2: M-Z*, 1–50
 Class scheduler database, *Vol. 2: M-Z*, 7–20
 CLASS_PROT system parameter, *Vol. 2: M-Z*,
 C–13
 CLASS_SCHEDULE ADD command
 in SYSMAN, *Vol. 2: M-Z*, 7–19
 CLASS_SCHEDULE DELETE command
 in SYSMAN, *Vol. 2: M-Z*, 7–24
 CLASS_SCHEDULE MODIFY command
 in SYSMAN, *Vol. 2: M-Z*, 7–25
 CLASS_SCHEDULE RESUME command
 in SYSMAN, *Vol. 2: M-Z*, 7–27
 CLASS_SCHEDULE SHOW command
 in SYSMAN, *Vol. 2: M-Z*, 7–28
 CLASS_SCHEDULE SUSPEND command
 in SYSMAN, *Vol. 2: M-Z*, 7–29
 CLEAR DEVICE command
 in LANCP utility, *Vol. 1: A-L*, 13–7
 CLEAR DLL command
 in LANCP utility, *Vol. 1: A-L*, 13–8
 CLEAR NODE command
 in LANCP utility, *Vol. 1: A-L*, 13–9
 CLISYMTBL system parameter, *Vol. 2: M-Z*,
 C–13
 CLOCK_INTERVAL system parameter, *Vol. 2:*
 M-Z, C–13
 CLOSE LOG command
 in LMCP, *Vol. 1: A-L*, 15–4
 CLU\$PARAMS.DAT file, *Vol. 1: A-L*, 6–4
 CLUE
 See Crash Log Utility Extractor
 CLUSTER class
 adding, *Vol. 2: M-Z*, 5–25
 fields belonging to, *Vol. 2: M-Z*, 5–5, 5–33
 of data, *Vol. 2: M-Z*, 5–3
 removing, *Vol. 2: M-Z*, 5–53
 CLUSTER class record
 in Monitor utility, *Vol. 2: M-Z*, A–11
 Cluster performance statistics
 in Monitor utility, *Vol. 2: M-Z*, 1–19
 CLUSTER_AUTHORIZE.DAT files, *Vol. 2: M-Z*,
 7–30, 7–34
 CLUSTER_CONFIG.COM command procedure,
 Vol. 2: M-Z, 7–30
 CLUSTER_CREDITS system parameter, *Vol. 2:*
 M-Z, C–14
 Command mode for Audit Analysis utility
 manipulating the display interactively, *Vol. 1:*
 A-L, 4–12, 4–28
 Command procedures
 building, *Vol. 2: M-Z*, 5–64
 control for SHOW CLUSTER output, *Vol. 2:*
 M-Z, 5–13
 correcting system time, *Vol. 2: M-Z*, 7–32
 Command procedures (cont'd)
 executing, *Vol. 1: A-L*, 13–6; *Vol. 2: M-Z*,
 5–22
 in SYSMAN, *Vol. 2: M-Z*, 7–10
 executing at system startup, *Vol. 2: M-Z*,
 7–133
 executing DCL commands with DO, *Vol. 2:*
 M-Z, 7–53
 parameters for, *Vol. 1: A-L*, 13–6
 Commands
 recalling, *Vol. 1: A-L*, 14–28
 Command summary
 of Authorize utility commands, *Vol. 1: A-L*,
 5–5
 Command syntax, *Vol. 1: A-L*, 7–5
 /COMMENT qualifier
 in Backup utility, *Vol. 1: A-L*, 7–25
 in Monitor utility, *Vol. 2: M-Z*, 1–12
 Compaction of data
 See Data compaction
 Compare operations
 for BACKUP, *Vol. 1: A-L*, 7–26
 /COMPARE qualifier
 in Backup utility, *Vol. 1: A-L*, 7–26
 CONCEAL_DEVICES system parameter, *Vol. 2:*
 M-Z, C–14
 CONFIGURATION SET CLUSTER_
 AUTHORIZATION command
 in SYSMAN, *Vol. 2: M-Z*, 7–30
 CONFIGURATION SET TIME command
 in SYSMAN, *Vol. 2: M-Z*, 7–32
 CONFIGURATION SHOW CLUSTER_
 AUTHORIZATION command
 in SYSMAN, *Vol. 2: M-Z*, 7–34
 CONFIGURATION SHOW TIME command
 in SYSMAN, *Vol. 2: M-Z*, 7–35
 Configuration tables
 rebuilding on Alpha systems, *Vol. 2: M-Z*,
 7–81, 7–84
 CONFIGURE command
 in POLYCENTER Software Installation utility,
 Vol. 2: M-Z, 3–6
 in SYSGEN, *Vol. 2: M-Z*, 6–8
 Configuring a printer, *Vol. 1: A-L*, 14–11
 /CONFIRM qualifier
 in Analyze/Disk_Structure utility, *Vol. 1: A-L*,
 3–9
 in Backup utility, *Vol. 1: A-L*, 7–28
 CONNECT/ADAPTER command
 in SYSGEN, *Vol. 2: M-Z*, 6–10
 CONNECT command
 in Point-to-Point Protocol utility, *Vol. 2: M-Z*,
 2–5
 Connecting devices, *Vol. 2: M-Z*, 6–5, 6–10
 on Alpha systems, *Vol. 2: M-Z*, 7–71
 Connections
 in LAT environment, *Vol. 1: A-L*, 14–39, 14–66

- Connections (cont'd)
 - specifying type with LATCP, *Vol. 1: A-L*, 14–34
 - CONNECTIONS class
 - adding or restoring, *Vol. 2: M-Z*, 5–27
 - fields belonging to, *Vol. 2: M-Z*, 5–5
 - removing, *Vol. 2: M-Z*, 5–54
 - CONNECT NODE command
 - in LANCP utility, *Vol. 1: A-L*, 13–10
 - CONTINUE command
 - in Audit Analysis utility, *Vol. 1: A-L*, 4–29
 - /CONTINUOUS qualifier, *Vol. 2: M-Z*, 5–16
 - CONVERT command
 - in Monitor utility, *Vol. 2: M-Z*, 1–6
 - CONVERT DEVICE DATABASE command
 - in LANCP utility, *Vol. 1: A-L*, 13–12
 - CONVERT LOG command
 - in LMCP, *Vol. 1: A-L*, 15–5
 - CONVERT NODE DATABASE command
 - in LANCP utility, *Vol. 1: A-L*, 13–13
 - /CONVERT qualifier
 - in Backup utility, *Vol. 1: A-L*, 7–29
 - COPY command
 - in Authorize utility, *Vol. 1: A-L*, 5–25
 - in POLYCENTER Software Installation utility, *Vol. 2: M-Z*, 3–10
 - Copying a software kit, *Vol. 2: M-Z*, 3–10
 - Counters, *Vol. 1: A-L*, 14–3
 - displaying
 - for links, *Vol. 1: A-L*, 14–50
 - for nodes, *Vol. 1: A-L*, 14–55
 - for ports, *Vol. 1: A-L*, 14–61
 - for services, *Vol. 1: A-L*, 14–66
 - resetting, *Vol. 1: A-L*, 14–70
 - COUNTERS class
 - adding, *Vol. 2: M-Z*, 5–29
 - fields belonging to, *Vol. 2: M-Z*, 5–7
 - removing, *Vol. 2: M-Z*, 5–56
 - CPU power
 - in LAT environment, *Vol. 1: A-L*, 14–34
 - Crash Log Utility Extractor (CLUE)
 - commands, *Vol. 1: A-L*, 8–4 to 8–12
 - DELETE command in, *Vol. 1: A-L*, 8–5
 - DIRECTORY command in, *Vol. 1: A-L*, 8–6
 - EXIT command in, *Vol. 1: A-L*, 8–8
 - exiting from, *Vol. 1: A-L*, 8–3
 - EXTRACT command in, *Vol. 1: A-L*, 8–9
 - HELP command in, *Vol. 1: A-L*, 8–10
 - invoking, *Vol. 1: A-L*, 8–3
 - SHOW command in, *Vol. 1: A-L*, 8–11
 - /CRC qualifier
 - as Backup utility input save-set qualifier, *Vol. 1: A-L*, 7–30
 - as Backup utility output save-set qualifier, *Vol. 1: A-L*, 7–31
 - CRDENABLE system parameter, *Vol. 2: M-Z*, C–15
 - CRD_CONTROL system parameter, *Vol. 2: M-Z*, C–14
 - CREATE/PROXY command
 - in Authorize utility, *Vol. 1: A-L*, 5–37
 - CREATE/RIGHTS command
 - in Authorize utility, *Vol. 1: A-L*, 5–38
 - CREATE command
 - in Install utility, *Vol. 1: A-L*, 12–7
 - in SYSGEN, *Vol. 2: M-Z*, 6–13
 - /CREATED qualifier
 - in Backup utility, *Vol. 1: A-L*, 7–32
 - CREATE LINK command
 - in LATCP, *Vol. 1: A-L*, 14–7
 - illegal SCSSYSTEMID system parameter, *Vol. 1: A-L*, 14–7
 - CREATE LOG command
 - in LMCP, *Vol. 1: A-L*, 15–7
 - CREATE PORT command
 - in LATCP, *Vol. 1: A-L*, 14–10
 - CREATE SERVICE command
 - in LATCP, *Vol. 1: A-L*, 14–15
 - Creating
 - disk usage accounting files, *Vol. 1: A-L*, 3–21
 - Creator ACEs
 - specifying access, *Vol. 1: A-L*, 1–11
 - specifying attributes, *Vol. 1: A-L*, 1–10
 - CREDITS class
 - adding, *Vol. 2: M-Z*, 5–31
 - fields belonging to, *Vol. 2: M-Z*, 5–7
 - removing, *Vol. 2: M-Z*, 5–57
 - CSR (Control and Status Register)
 - addresses, *Vol. 2: M-Z*, 6–8, 6–10
 - display on Alpha systems, *Vol. 2: M-Z*, 7–87
 - fixed space, *Vol. 2: M-Z*, D–1
 - floating space, *Vol. 2: M-Z*, D–1
 - vector addresses, *Vol. 2: M-Z*, 6–10
 - CTLIMGLIM system parameter, *Vol. 2: M-Z*, C–15
 - CTLPAGES system parameter, *Vol. 2: M-Z*, C–15
 - CWCREPRC_ENABLE system parameter, *Vol. 2: M-Z*, C–15
- ## D
-
- Data collection
 - by AUTOGEN, *Vol. 1: A-L*, 6–10
 - Data compaction
 - TA90E support, *Vol. 1: A-L*, 7–67
 - Data field, *Vol. 2: M-Z*, 5–3
 - Data link
 - creating with LATCP, *Vol. 1: A-L*, 14–7
 - modifying LAT characteristics of, *Vol. 1: A-L*, 14–31
 - number supported by LAT software, *Vol. 1: A-L*, 14–9

Dates

See also SYSMAN command CONFIGURATION SHOW TIME
displaying in a cluster, *Vol. 2: M-Z*, 7–35
DBGTK_SCRATCH system parameter, *Vol. 2: M-Z*, C–15
DCL commands
in SYSMAN, *Vol. 2: M-Z*, 7–54
DCL_CTLFLAGS system parameter, *Vol. 2: M-Z*, C–16
DEADLOCK_WAIT system parameter, *Vol. 2: M-Z*, C–16
DECdtm transaction manager, *Vol. 2: M-Z*, A–43
DECEvent, *Vol. 1: A-L*, 9–3
DECEvent utility
/ANALYZE qualifier, *Vol. 1: A-L*, 9–7
/BEFORE qualifier, *Vol. 1: A-L*, 9–14
/BINARY qualifier, *Vol. 1: A-L*, 9–8
/BRIEF qualifier, *Vol. 1: A-L*, 9–15
brief report example, *Vol. 1: A-L*, 9–34
/CONTINUOUS qualifier, *Vol. 1: A-L*, 9–9
device classes, *Vol. 1: A-L*, 9–17
excluding, *Vol. 1: A-L*, 9–17
including, *Vol. 1: A-L*, 9–22
device name, *Vol. 1: A-L*, 9–22
excluding, *Vol. 1: A-L*, 9–17
including, *Vol. 1: A-L*, 9–22
device name constructs, *Vol. 1: A-L*, 9–17
/DUMP qualifier, *Vol. 1: A-L*, 9–10
/ENTRY qualifier, *Vol. 1: A-L*, 9–16
entry type
excluding, *Vol. 1: A-L*, 9–17
including, *Vol. 1: A-L*, 9–22
error log file, *Vol. 1: A-L*, 9–27
events reported
selecting date, *Vol. 1: A-L*, 9–14, 9–30
selecting time, *Vol. 1: A-L*, 9–14, 9–30
examples
/BEFORE qualifier, *Vol. 1: A-L*, 9–14
/EXCLUDE qualifier, *Vol. 1: A-L*, 9–17
fast error report example, *Vol. 1: A-L*, 9–36
/FSTERR qualifier, *Vol. 1: A-L*, 9–20
/FULL qualifier, *Vol. 1: A-L*, 9–21
full report example, *Vol. 1: A-L*, 9–33
/INCLUDE qualifier, *Vol. 1: A-L*, 9–22
informational messages, *Vol. 1: A-L*, 9–25
/INTERACTIVE qualifier, *Vol. 1: A-L*, 9–11
/INTERFACE qualifier, *Vol. 1: A-L*, 9–12
/LOG qualifier, *Vol. 1: A-L*, 9–25
/NODE qualifier, *Vol. 1: A-L*, 9–26
output
binary format, *Vol. 1: A-L*, 9–8
directing, *Vol. 1: A-L*, 9–8, 9–25, 9–27, 9–28
file specification, *Vol. 1: A-L*, 9–8, 9–27
output file, *Vol. 1: A-L*, 9–27
/OUTPUT qualifier, *Vol. 1: A-L*, 9–27
qualifiers, *Vol. 1: A-L*, 9–4 to 9–32

DECEvent utility (cont'd)

/REJECTED qualifier, *Vol. 1: A-L*, 9–28
report examples, *Vol. 1: A-L*, 9–33 to 9–36
report formats
binary, *Vol. 1: A-L*, 9–8, 9–22, 9–28
brief, *Vol. 1: A-L*, 9–9, 9–10, 9–15
fast error (FSTERR), *Vol. 1: A-L*, 9–20
full, *Vol. 1: A-L*, 9–21
rejected entries, *Vol. 1: A-L*, 9–28
reverse chronological order, *Vol. 1: A-L*, 9–29
summary, *Vol. 1: A-L*, 9–31
terse, *Vol. 1: A-L*, 9–32
/REVERSE qualifier, *Vol. 1: A-L*, 9–29
/SINCE qualifier, *Vol. 1: A-L*, 9–30
/SUMMARY qualifier, *Vol. 1: A-L*, 9–31
summary report example, *Vol. 1: A-L*, 9–36
/TERSE qualifier, *Vol. 1: A-L*, 9–32
terse report example, *Vol. 1: A-L*, 9–35
/TRANSLATE qualifier, *Vol. 1: A-L*, 9–13
DECnet
DECNET class record
in Monitor utility, *Vol. 2: M-Z*, A–13
LAT software
effect of SCSSYSTEMID system parameter, *Vol. 1: A-L*, 14–7
DECservers
changing device characteristics, *Vol. 1: A-L*, 14–10, 14–43
Dedicated port, *Vol. 1: A-L*, 14–11, 14–43
displaying, *Vol. 1: A-L*, 14–61
DEFAULT command
in Authorize utility, *Vol. 1: A-L*, 5–39
Default parameter file, *Vol. 1: A-L*, 6–11
Default protection
for NET\$PROXY.DAT, *Vol. 1: A-L*, 5–3
for NETPROXY.DAT, *Vol. 1: A-L*, 5–3
for RIGHTSLIST.DAT, *Vol. 1: A-L*, 5–3
for SYSUAF.DAT, *Vol. 1: A-L*, 5–3
Default Protection ACEs, *Vol. 1: A-L*, 1–10, 1–12
Default user authorization records
modifying, *Vol. 1: A-L*, 5–49
DEFINE/KEY command, *Vol. 2: M-Z*, B–3
in LATCP, *Vol. 1: A-L*, 14–19
in Show Cluster utility, *Vol. 2: M-Z*, 5–40
in SYSMAN, *Vol. 2: M-Z*, 7–36
DEFINE DEVICE command
in LANCP utility, *Vol. 1: A-L*, 13–14
DEFINE NODE command
in LANCP utility, *Vol. 1: A-L*, 13–19
Defining keys, *Vol. 2: M-Z*, 7–36
to execute SYSMAN commands, *Vol. 2: M-Z*, 7–3
DEFMBXBUFQUO system parameter, *Vol. 2: M-Z*, C–16

DEFMBXMXMSG system parameter, *Vol. 2: M-Z*, C-17

DEFPRI system parameter, *Vol. 2: M-Z*, C-17

DEFQUEPRI system parameter, *Vol. 2: M-Z*, C-17

DEINSTALL command
in SYSGEN, *Vol. 2: M-Z*, 6-14

DELETE command
in CLUE, *Vol. 1: A-L*, 8-5
in Install utility, *Vol. 1: A-L*, 12-12

DELETE DEVICE command
in UCM, *Vol. 2: M-Z*, 8-14

DELETE LINK command
in LATCP, *Vol. 1: A-L*, 14-22

DELETE PORT command
in LATCP, *Vol. 1: A-L*, 14-23

/DELETE qualifier
in Backup utility, *Vol. 1: A-L*, 7-33

DELETE QUEUE_ENTRY command
in LATCP, *Vol. 1: A-L*, 14-24

DELETE RECOVERY_DATA command
in POLYCENTER Software Installation utility, *Vol. 2: M-Z*, 3-14

DELETE SERVICE command
in LATCP, *Vol. 1: A-L*, 14-25

DELPRC_EXIT system parameter, *Vol. 2: M-Z*, C-17

/DENSITY qualifier
in Backup utility, *Vol. 1: A-L*, 7-34

DESELECT command
in Show Cluster utility, *Vol. 2: M-Z*, 5-43

Device addresses
See LAN addresses

Device drivers
addresses, *Vol. 2: M-Z*, 6-36
configuring, *Vol. 2: M-Z*, 6-5, 6-35
connecting, *Vol. 2: M-Z*, 6-10
displaying on Alpha systems, *Vol. 2: M-Z*, 7-89
loading, *Vol. 2: M-Z*, 6-5, 6-10, 6-18
on Alpha systems, *Vol. 2: M-Z*, 7-80
replacing with new version of, *Vol. 2: M-Z*, 6-19
showing configuration of, *Vol. 2: M-Z*, 6-33
showing information, *Vol. 2: M-Z*, 6-35, 6-36

Device IDs
Fibre Channel
tape WWIDs, *Vol. 2: M-Z*, 7-75, 7-76, 7-82

Device names
specifying, *Vol. 2: M-Z*, 6-8, 6-10

Devices
configuring
VAXstation 2000 and MicroVAX 2000 devices, *Vol. 2: M-Z*, D-6
connecting on Alpha systems, *Vol. 2: M-Z*, 7-69, 7-71
displaying

Devices
displaying (cont'd)
default, *Vol. 2: M-Z*, 7-123
excluding, *Vol. 2: M-Z*, 7-85
HP-supplied, *Vol. 2: M-Z*, D-1
logical name translation, *Vol. 2: M-Z*, 7-40
SCSI and FC
checking for changes in paths, *Vol. 2: M-Z*, 7-84
setting defaults for file specifications, *Vol. 2: M-Z*, 7-119
specifying quotas for, *Vol. 2: M-Z*, 7-38

Device seed, *Vol. 1: A-L*, 14-34

Device table, *Vol. 2: M-Z*, D-1

Device types
codes, *Vol. 2: M-Z*, 6-6
descriptions, *Vol. 2: M-Z*, 6-6

DEVICE_NAMING system parameter, *Vol. 2: M-Z*, C-17

DIAL_OUT command
in Point-to-Point Protocol utility, *Vol. 2: M-Z*, 2-6

Directing ANALYZE/DISK_STRUCTURE output, *Vol. 1: A-L*, 3-7

Directing SYSGEN output, *Vol. 2: M-Z*, 6-4, 6-8, 6-21

Directories
access to files created in, *Vol. 1: A-L*, 1-10
and Default Protection ACEs, *Vol. 1: A-L*, 1-12
assigning a Creator ACE to, *Vol. 1: A-L*, 1-10
creating for a new account, *Vol. 1: A-L*, 5-19
determining access to files created in, *Vol. 1: A-L*, 1-12
ownership
changing access to files, *Vol. 1: A-L*, 1-10

Directory backlinks
definition, *Vol. 1: A-L*, 3-4

DIRECTORY command
in CLUE, *Vol. 1: A-L*, 8-6

Directory default
displaying, *Vol. 2: M-Z*, 7-123
modifying, *Vol. 2: M-Z*, 7-119

Directory trees
propagating UIC-based protection, *Vol. 1: A-L*, 1-12
restoring, *Vol. 1: A-L*, 7-9

DISABLE command
in SYSGEN, *Vol. 2: M-Z*, 6-15

DISABLE_UPCALLS system parameter, *Vol. 2: M-Z*, C-17

DISCONNECT command
in Point-to-Point Protocol utility, *Vol. 2: M-Z*, 2-8

DISK class record
in Monitor utility, *Vol. 2: M-Z*, A-14

DISKQUOTA ADD command
in SYSMAN, *Vol. 2: M-Z*, 7-38

DISKQUOTA CREATE command
in SYSMAN, *Vol. 2: M-Z*, 7–40

DISKQUOTA DELETE command
See DISKQUOTA REMOVE
in SYSMAN, *Vol. 2: M-Z*, 7–42

DISKQUOTA DISABLE command
in SYSMAN, *Vol. 2: M-Z*, 7–43

DISKQUOTA ENABLE command
in SYSMAN, *Vol. 2: M-Z*, 7–45

DISKQUOTA MODIFY command
in SYSMAN, *Vol. 2: M-Z*, 7–47

DISKQUOTA REBUILD command
in SYSMAN, *Vol. 2: M-Z*, 7–49

DISKQUOTA REMOVE command
in SYSMAN, *Vol. 2: M-Z*, 7–50

Disk quotas
creating, *Vol. 2: M-Z*, 7–40
disabling, *Vol. 2: M-Z*, 7–43
displaying, *Vol. 2: M-Z*, 7–52
file
 adding entry, *Vol. 2: M-Z*, 7–38
 initializing usage count, *Vol. 2: M-Z*, 7–38
 modifying an entry, *Vol. 2: M-Z*, 7–47
 rebuilding, *Vol. 2: M-Z*, 7–49
 removing an entry, *Vol. 2: M-Z*, 7–42, 7–50

DISKQUOTA SHOW command
in SYSMAN, *Vol. 2: M-Z*, 7–52

Disk statistics
in Monitor utility, *Vol. 2: M-Z*, 1–26

Disk usage accounting file, *Vol. 1: A-L*, E–1
creating
 example, *Vol. 1: A-L*, 3–21

Disk volumes
repairing errors, *Vol. 1: A-L*, 3–16
verification, *Vol. 1: A-L*, 3–3

DISK_QUORUM system parameter, *Vol. 2: M-Z*, C–18

DISPLAY command
in Audit Analysis utility, *Vol. 1: A-L*, 4–30

/DISPLAY qualifier
in Monitor utility, *Vol. 2: M-Z*, 1–13

Displays
refreshing screen with LATCP, *Vol. 1: A-L*, 14–29

Displays from SHOW CLUSTER
display formatting, *Vol. 2: M-Z*, 5–13

Distributed lock management statistics
in Monitor utility, *Vol. 2: M-Z*, 1–29

DLCKEXTRASTK system parameter, *Vol. 2: M-Z*, C–18

DLOCK class record
in Monitor utility, *Vol. 2: M-Z*, A–16

DNVOSI1 system parameter, *Vol. 2: M-Z*, C–18

DO command
in SYSMAN, *Vol. 2: M-Z*, 7–53

DORMANTWAIT system parameter, *Vol. 2: M-Z*, C–18

DOSD (dump off system disk)
DUMPSTYLE system parameter, *Vol. 2: M-Z*, C–19

DR_UNIT_BASE system parameter, *Vol. 2: M-Z*, C–18

Dual-architecture OpenVMS Cluster systems
installing images, *Vol. 2: M-Z*, 7–54
 example, *Vol. 2: M-Z*, 7–55

DUMPSBUG system parameter, *Vol. 2: M-Z*, C–18

DUMP command
in LMCP, *Vol. 1: A-L*, 15–9

Dump files
changing size, *Vol. 1: A-L*, 6–3
displaying the size calculated by AUTOGEN, *Vol. 1: A-L*, 6–10
generating a new file sized by AUTOGEN, *Vol. 1: A-L*, 6–11
setting priority, *Vol. 2: M-Z*, 7–57

DUMPSTYLE system parameter, *Vol. 2: M-Z*, C–19

DUMP_PRIORITY ADD command
in SYSMAN, *Vol. 2: M-Z*, 7–57

DUMP_PRIORITY LIST command
in SYSMAN, *Vol. 2: M-Z*, 7–60

DUMP_PRIORITY LOAD command
in SYSMAN, *Vol. 2: M-Z*, 7–61

DUMP_PRIORITY MODIFY command
in SYSMAN, *Vol. 2: M-Z*, 7–62

DUMP_PRIORITY REMOVE command
in SYSMAN, *Vol. 2: M-Z*, 7–64

DUMP_PRIORITY SHOW command
in SYSMAN, *Vol. 2: M-Z*, 7–65

DUMP_PRIORITY UNLOAD command
in SYSMAN, *Vol. 2: M-Z*, 7–66

Dynamic attributes, *Vol. 1: A-L*, 5–21, 5–52, 5–74

Dynamic lock remastering statistics
in Monitor utility, *Vol. 2: M-Z*, 1–56

Dynamic parameters
modifying, *Vol. 2: M-Z*, 6–45, 7–103

Dynamic service rating, *Vol. 1: A-L*, 14–16, 14–48
displaying, *Vol. 1: A-L*, 14–59, 14–67

E

EDIT/ACL command, *Vol. 1: A-L*, 1–3
See also ACL editor

Editing ACLs
See ACL editor

Editing sessions
keypad for ACL editing, *Vol. 1: A-L*, A–1

EDIT keypad function, *Vol. 2: M-Z*, 5–40, B–3

ENABLE command
in SYSGEN, *Vol. 2: M-Z*, 6–16

- /ENDING qualifier, *Vol. 2: M-Z*, 5–17
 - in Monitor utility, *Vol. 2: M-Z*, 1–13
- END phase, *Vol. 2: M-Z*, 7–140
- End phase of AUTOGEN, *Vol. 1: A-L*, 6–9
 - default, *Vol. 1: A-L*, 6–13
- Environment
 - defining
 - in SYSMAN, *Vol. 2: M-Z*, 7–117
- Erasing blocks, *Vol. 1: A-L*, 3–5, 3–10
- ERF
 - See Error Log Report Formatter (ERF)
- ERLBUFFERPAGES system parameter, *Vol. 2: M-Z*, C–20
- ERRORLOGBUFFERS system parameter, *Vol. 2: M-Z*, C–20
- Error Log Report Formatter (ERF)
 - /BEFORE qualifier, *Vol. 1: A-L*, 10–6
 - /BINARY qualifier, *Vol. 1: A-L*, 10–7
 - /BRIEF qualifier, *Vol. 1: A-L*, 10–8
 - buffered I/O count reporting, *Vol. 1: A-L*, 10–26
 - device class, *Vol. 1: A-L*, 10–10
 - excluding, *Vol. 1: A-L*, 10–10
 - including, *Vol. 1: A-L*, 10–14
 - device classes, *Vol. 1: A-L*, 10–14
 - device name
 - excluding, *Vol. 1: A-L*, 10–10
 - including, *Vol. 1: A-L*, 10–14
 - device name constructs, *Vol. 1: A-L*, 10–10
 - direct I/O count reporting, *Vol. 1: A-L*, 10–26
 - directing output, *Vol. 1: A-L*, 10–4
 - /ENTRY qualifier, *Vol. 1: A-L*, 10–9
 - entry type
 - excluding, *Vol. 1: A-L*, 10–10
 - including, *Vol. 1: A-L*, 10–14
 - error log file
 - specifying output, *Vol. 1: A-L*, 10–20
 - events reported, *Vol. 1: A-L*, 10–3
 - selecting date, *Vol. 1: A-L*, 10–6, 10–25
 - selecting time, *Vol. 1: A-L*, 10–6, 10–25
 - examples, *Vol. 1: A-L*, 10–27 to 10–40
 - /BEFORE qualifier, *Vol. 1: A-L*, 10–6
 - brief report, *Vol. 1: A-L*, 10–40
 - machine check, *Vol. 1: A-L*, 10–29
 - memory error, *Vol. 1: A-L*, 10–36
 - nonfatal and user bugchecks, *Vol. 1: A-L*, 10–37
 - time-stamp, *Vol. 1: A-L*, 10–28
 - volume dismount, *Vol. 1: A-L*, 10–28
 - volume mount, *Vol. 1: A-L*, 10–28
 - /EXCLUDE qualifier, *Vol. 1: A-L*, 10–10
 - execution time event reporting, *Vol. 1: A-L*, 10–26
 - exiting from, *Vol. 1: A-L*, 10–4
 - /FULL qualifier, *Vol. 1: A-L*, 10–13
 - I/O events, *Vol. 1: A-L*, 10–26
 - buffered, *Vol. 1: A-L*, 10–26
 - direct, *Vol. 1: A-L*, 10–26
- Error Log Report Formatter (ERF) (cont'd)
 - /INCLUDE qualifier, *Vol. 1: A-L*, 10–14
 - invoking, *Vol. 1: A-L*, 10–4
 - /LOG qualifier, *Vol. 1: A-L*, 10–17
 - messages
 - informational, *Vol. 1: A-L*, 10–17
 - /MODEL qualifier, *Vol. 1: A-L*, 10–18
 - /NODE qualifier, *Vol. 1: A-L*, 10–19
 - output
 - ASCII format, *Vol. 1: A-L*, 10–7
 - binary format, *Vol. 1: A-L*, 10–7
 - directing, *Vol. 1: A-L*, 10–7, 10–17, 10–20, 10–23
 - file specification, *Vol. 1: A-L*, 10–7, 10–20
 - output file, *Vol. 1: A-L*, 10–20
 - /OUTPUT qualifier, *Vol. 1: A-L*, 10–20
 - page faults reported, *Vol. 1: A-L*, 10–26
 - /PAGE qualifier, *Vol. 1: A-L*, 10–21
 - qualifiers, *Vol. 1: A-L*, 10–4 to 10–26
 - /REGISTER_DUMP qualifier, *Vol. 1: A-L*, 10–22
 - /REJECTED qualifier, *Vol. 1: A-L*, 10–23
 - report format
 - ASCII, *Vol. 1: A-L*, 10–7, 10–8
 - binary, *Vol. 1: A-L*, 10–7, 10–14, 10–23
 - brief, *Vol. 1: A-L*, 10–8
 - full, *Vol. 1: A-L*, 10–13
 - hexadecimal longword, *Vol. 1: A-L*, 10–22
 - register dump, *Vol. 1: A-L*, 10–22
 - rejected entries, *Vol. 1: A-L*, 10–23
 - run-time statistics, *Vol. 1: A-L*, 10–24, 10–26
 - restrictions, *Vol. 1: A-L*, 10–4
 - sample error log report, *Vol. 1: A-L*, 10–27
 - /SID_REGISTER qualifier, *Vol. 1: A-L*, 10–24
 - /SINCE qualifier, *Vol. 1: A-L*, 10–25
 - /STATISTICS qualifier, *Vol. 1: A-L*, 10–26
 - ERROR LOG utility
 - See Error Log Report Formatter (ERF)
 - Error Log utility (ERROR LOG)
 - See Error Log Report Formatter (ERF)
 - Error Log Viewer (ELV)
 - brief report example, *Vol. 1: A-L*, 11–31
 - CONVERT command, *Vol. 1: A-L*, 11–6
 - qualifiers, *Vol. 1: A-L*, 11–6 to 11–9
 - default report example, *Vol. 1: A-L*, 11–31
 - DUMP command, *Vol. 1: A-L*, 11–11
 - qualifiers, *Vol. 1: A-L*, 11–11 to 11–15
 - event categories, *Vol. 1: A-L*, 11–5
 - invalid, *Vol. 1: A-L*, 11–5
 - rejected, *Vol. 1: A-L*, 11–5
 - selected, *Vol. 1: A-L*, 11–5
 - valid, *Vol. 1: A-L*, 11–5
 - event classes, *Vol. 1: A-L*, 11–19
 - event header information, *Vol. 1: A-L*, 11–19
 - EXIT command, *Vol. 1: A-L*, 11–16
 - full report example, *Vol. 1: A-L*, 11–32

Error Log Viewer (ELV) (cont'd)

- HELP command, *Vol. 1: A-L*, 11–17
- interactive shell mode, *Vol. 1: A-L*, 11–4
- invoking, *Vol. 1: A-L*, 11–4
- one-line-per-event report example, *Vol. 1: A-L*, 11–30
- report formats
 - standard, *Vol. 1: A-L*, 11–18
 - summary, *Vol. 1: A-L*, 11–19
- standard report detail levels, *Vol. 1: A-L*, 11–19
 - brief, *Vol. 1: A-L*, 11–19
 - default, *Vol. 1: A-L*, 11–19
 - full, *Vol. 1: A-L*, 11–19
 - one-line-per-event, *Vol. 1: A-L*, 11–19
- supported event types, *Vol. 1: A-L*, 11–3
- terse format, *Vol. 1: A-L*, 11–32
- terse report example, *Vol. 1: A-L*, 11–32
- TRANSLATE command, *Vol. 1: A-L*, 11–18
 - qualifiers, *Vol. 1: A-L*, 11–20 to 11–24
- WRITE command, *Vol. 1: A-L*, 11–25
 - qualifiers, *Vol. 1: A-L*, 11–25 to 11–28

Errors

- repair, *Vol. 1: A-L*, 3–4, 3–9, 3–10, 3–15, 3–16
- reporting, *Vol. 1: A-L*, 3–4

ERRORS class

- adding, *Vol. 2: M-Z*, 5–32
- fields belonging to, *Vol. 2: M-Z*, 5–7
- removing, *Vol. 2: M-Z*, 5–58

Ethernet address

- See LAN addresses

Ethernet controllers

- See LAN controllers

Ethernet link

- See Data link

Event classes

- extracting audit records by, *Vol. 1: A-L*, 4–8

Event records

- See Security audit reports

Event types, *Vol. 1: A-L*, 4–8

/EXACT_ORDER qualifier

- in Backup utility, *Vol. 1: A-L*, 7–36

Examples

- annotated, *Vol. 1: A-L*, D–4 to D–8
- comparing files, *Vol. 1: A-L*, 7–27
- creating a journal file, *Vol. 1: A-L*, 7–59
- image save operation, *Vol. 1: A-L*, 7–52
- incremental save operation, *Vol. 1: A-L*, 7–54
- initializing an output disk, *Vol. 1: A-L*, 7–55
- list operation, *Vol. 1: A-L*, 7–20
- of ANALYZE/DISK_STRUCTURE/SHADOW command, *Vol. 1: A-L*, 3–18
- protecting an output save-set, *Vol. 1: A-L*, 7–75
- repairing errors on a disk volume, *Vol. 1: A-L*, 3–16
- selective backup, *Vol. 1: A-L*, 7–17, 7–18
- specifying a save-set label, *Vol. 1: A-L*, 7–63

Examples (cont'd)

- specifying block size, *Vol. 1: A-L*, 7–19
- specifying density for magnetic tape, *Vol. 1: A-L*, 7–35
- specifying redundancy group blocks, *Vol. 1: A-L*, 7–45
- using wildcard characters, *Vol. 1: A-L*, 7–9
- /EXCLUDE qualifier
 - in Backup utility, *Vol. 1: A-L*, 7–39
- Excluding devices, *Vol. 2: M-Z*, 7–85
- Exclusion list
 - displaying, *Vol. 2: M-Z*, 7–91
- EXECUTE command
 - in Monitor utility, *Vol. 2: M-Z*, 1–7
- Execute procedure (@) command
 - in LANCP utility, *Vol. 1: A-L*, 13–6
 - in Show Cluster utility, *Vol. 2: M-Z*, 5–22
 - to set up SHOW CLUSTER format, *Vol. 2: M-Z*, 5–22
- Execution modes
 - CHECK_FEEDBACK, *Vol. 1: A-L*, 6–12
 - FEEDBACK, *Vol. 1: A-L*, 6–12
 - INITIAL, *Vol. 1: A-L*, 6–12
 - NOFEEDBACK, *Vol. 1: A-L*, 6–12
- EXIT command, *Vol. 2: M-Z*, 7–67
 - in Audit Analysis utility, *Vol. 1: A-L*, 4–32
 - in Authorize utility, *Vol. 1: A-L*, 5–51
 - in CLUE, *Vol. 1: A-L*, 8–8
 - in Install utility, *Vol. 1: A-L*, 12–13
 - in LANCP utility, *Vol. 1: A-L*, 13–22
 - in LATCP, *Vol. 1: A-L*, 14–26
 - in Monitor utility, *Vol. 2: M-Z*, 1–8
 - in Point-to-Point Protocol utility, *Vol. 2: M-Z*, 2–9
 - in Show Cluster utility, *Vol. 2: M-Z*, 5–44
 - in SYSGEN, *Vol. 2: M-Z*, 6–4
 - in SYSMAN, *Vol. 2: M-Z*, 7–67
 - in UCM, *Vol. 2: M-Z*, 8–15
- EXPECTED_VOTES system parameter, *Vol. 2: M-Z*, C–20
- /EXPIRED qualifier
 - in Backup utility, *Vol. 1: A-L*, 7–40
- EXTRACPU system parameter, *Vol. 2: M-Z*, C–20
- EXTRACT command
 - in CLUE, *Vol. 1: A-L*, 8–9
- EXTRACT FILE command
 - in POLYCENTER Software Installation utility, *Vol. 2: M-Z*, 3–16
- EXTRACT PDF command
 - in POLYCENTER Software Installation utility, *Vol. 2: M-Z*, 3–19
- EXTRACT PTF command
 - in POLYCENTER Software Installation utility, *Vol. 2: M-Z*, 3–22
- EXTRACT RELEASE_NOTES command
 - in POLYCENTER Software Installation utility, *Vol. 2: M-Z*, 3–25

EXUSRSTK system parameter, *Vol. 2: M-Z*, C-20

F

/FAST qualifier

in Backup utility, *Vol. 1: A-L*, 7-41

FAST_PATH system parameter, *Vol. 2: M-Z*, C-20

FAST_PATH_PORTS system parameter, *Vol. 2: M-Z*, C-21

FCP class record

in Monitor utility, *Vol. 2: M-Z*, A-17

Feedback

See AUTOGEN, feedback

FEEDBACK mode, *Vol. 1: A-L*, 6-3, 6-12

Field of data

definition, *Vol. 2: M-Z*, 5-33

definition of each, *Vol. 2: M-Z*, 5-34

removing, *Vol. 2: M-Z*, 5-59

Fields

SHOW CLUSTER, *Vol. 2: M-Z*, 5-3

File backward link records

in accounting files, *Vol. 1: A-L*, 2-37

File forward link records

in accounting files, *Vol. 1: A-L*, 2-37

File primitive statistics

in Monitor utility, *Vol. 2: M-Z*, 1-32

Files

AGEN\$FEEDBACK.DAT, *Vol. 1: A-L*, 6-8

AGEN\$FEEDBACK.EXE, *Vol. 1: A-L*, 6-8

AGEN\$PARAMS.REPORT, *Vol. 1: A-L*, 6-10

ALPHAVMSSYS.OLD, *Vol. 1: A-L*, 6-11

ALPHAVMSSYS.PAR, *Vol. 1: A-L*, 6-11

AUTOGEN.PAR, *Vol. 1: A-L*, 6-9, 6-11; *Vol. 2: M-Z*, 6-43, 6-45

containing AUTOGEN feedback, *Vol. 1: A-L*, 6-8

containing list of known images, *Vol. 1: A-L*, 6-10

controlling access to, *Vol. 1: A-L*, 1-12, 1-14

creating
dependency on directory ownership, *Vol. 1: A-L*, 1-10

in a directory with a Default Protection ACE, *Vol. 1: A-L*, 1-12

default parameter, *Vol. 1: A-L*, 6-11

device driver, *Vol. 2: M-Z*, 6-19

format required by ACL editor, *Vol. 1: A-L*, 1-4

for paging, *Vol. 1: A-L*, 6-11

for swapping, *Vol. 1: A-L*, 6-11

for system crash dumps, *Vol. 1: A-L*, 6-11

I/O driver, *Vol. 2: M-Z*, 6-18

input of device list, *Vol. 2: M-Z*, 6-8

output cluster report, *Vol. 2: M-Z*, 5-19, 5-74
parameter, *Vol. 1: A-L*, 6-9, 6-11; *Vol. 2: M-Z*, 6-45

PARAMS.DAT, *Vol. 1: A-L*, 6-10

Files (cont'd)

restoring

to original directories, *Vol. 1: A-L*, 7-9

SETPARAMS.DAT, *Vol. 1: A-L*, 6-10, 6-11

SHOW_CLUSTER.LIS, *Vol. 2: M-Z*, 5-19, 5-74

startup, *Vol. 2: M-Z*, 7-133

disabling, *Vol. 2: M-Z*, 7-135

displaying, *Vol. 2: M-Z*, 7-144

startup command procedure, *Vol. 2: M-Z*, 6-22, 6-38, 6-45

SYSGEN session output, *Vol. 2: M-Z*, 6-4, 6-21

SYSGTTSTR.MSG, *Vol. 2: M-Z*, 6-42

SYSMAN.LIS, *Vol. 2: M-Z*, 7-16, 7-34, 7-35, 7-52, 7-54, 7-55, 7-99, 7-144

system parameter, *Vol. 2: M-Z*, 6-43, 6-45

UIC-based protection

propagating in a directory tree, *Vol. 1: A-L*, 1-12

used by AUTOGEN command procedure, *Vol. 1: A-L*, 6-12

VAXVMSSYS.OLD, *Vol. 1: A-L*, 6-11

VAXVMSSYS.PAR, *Vol. 1: A-L*, 6-11; *Vol. 2: M-Z*, 6-45

VMSIMAGES.DAT, *Vol. 1: A-L*, 6-10

writing alarm messages to audit logs, *Vol. 1: A-L*, 1-8

File system cache (ACP) system parameters

in Monitor utility, *Vol. 2: M-Z*, 1-37

File system cache statistics

monitoring, *Vol. 2: M-Z*, 1-34

/FILES_SELECTED qualifier

in Backup utility, *Vol. 1: A-L*, 7-42

File types

specifying for ACL editor, *Vol. 1: A-L*, 1-4

FILE_SYSTEM_CACHE class record

in Monitor utility, *Vol. 2: M-Z*, A-19

FIND command

in POLYCENTER Software Installation utility, *Vol. 2: M-Z*, 3-28

Flags

login, *Vol. 1: A-L*, 5-10, 5-28, 5-42, 5-65

Floating address, *Vol. 2: M-Z*, D-1

/FLUSH_INTERVAL qualifier

in Monitor utility, *Vol. 2: M-Z*, 1-13

Format for SHOW CLUSTER

specifying processor types, *Vol. 2: M-Z*, 5-38

Formats

of software kits

changing, *Vol. 2: M-Z*, 3-10

FREEGOAL system parameter, *Vol. 2: M-Z*, C-21

FREELIM system parameter, *Vol. 2: M-Z*, C-21

FSTERR report

example, *Vol. 1: A-L*, 9-36

/FULL qualifier

in Backup utility, *Vol. 1: A-L*, 7–43

Full report

example, *Vol. 1: A-L*, 9–33

Function keys, *Vol. 1: A-L*, 14–19

G

GALAXY system parameter, *Vol. 2: M-Z*, C–22

GBLPAGES system parameter, *Vol. 2: M-Z*, C–22

GBLPAGFIL system parameter, *Vol. 2: M-Z*,
C–22

GBLSECTIONS system parameter, *Vol. 2: M-Z*,
C–23

Generic names

showing, *Vol. 2: M-Z*, 6–31, 6–32

GENFILES phase of AUTOGEN, *Vol. 1: A-L*,
6–11

GENPARAMS phase of AUTOGEN, *Vol. 1: A-L*,
6–10

GETDATA phase of AUTOGEN, *Vol. 1: A-L*, 6–10

GH_EXEC_CODE system parameter, *Vol. 2:*
M-Z, C–23

GH_EXEC_DATA system parameter, *Vol. 2: M-Z*,
C–23

GH_RES_CODE system parameter, *Vol. 2: M-Z*,
C–23

GH_RES_DATA system parameter, *Vol. 2: M-Z*,
C–23

GH_RSRVPGCNT system parameter, *Vol. 2:*
M-Z, C–23

GLX_INST_TMO system parameter, *Vol. 2: M-Z*,
C–24

GLX_SHM_REG system parameter, *Vol. 2: M-Z*,
C–24

GRANT/IDENTIFIER command

in Authorize utility, *Vol. 1: A-L*, 5–52

Group number

cluster

displaying, *Vol. 2: M-Z*, 7–34

local area cluster, *Vol. 2: M-Z*, 7–30

Groups

access to service nodes, *Vol. 1: A-L*, 14–40,
14–59

access to services in LAT environment, *Vol. 1:*
A-L, 14–35

/GROUP_SIZE qualifier

in Backup utility, *Vol. 1: A-L*, 7–45

GROWLIM system parameter, *Vol. 2: M-Z*, C–24

H

HANGUP characteristic

application LAT devices, *Vol. 1: A-L*, 14–10

/HEADER_ONLY qualifier

in Backup utility, *Vol. 1: A-L*, 7–46

Help

online for Analyze Audit, *Vol. 1: A-L*, 4–33

HELP command

in Audit Analysis utility, *Vol. 1: A-L*, 4–33

in Authorize utility, *Vol. 1: A-L*, 5–54

in CLUE, *Vol. 1: A-L*, 8–10

in Install utility, *Vol. 1: A-L*, 12–14

in LANCP utility, *Vol. 1: A-L*, 13–23

in LATCP, *Vol. 1: A-L*, 14–27

in LMCP, *Vol. 1: A-L*, 15–15

in Monitor utility, *Vol. 2: M-Z*, 1–9

in Point-to-Point Protocol utility, *Vol. 2: M-Z*,
2–10

in Show Cluster utility, *Vol. 2: M-Z*, 5–45

in SYSMAN, *Vol. 2: M-Z*, 7–68

in UCM, *Vol. 2: M-Z*, 8–16

HELP phase of AUTOGEN, *Vol. 1: A-L*, 6–12

History of installed software, *Vol. 2: M-Z*, 3–56

Holder Hidden attribute, *Vol. 1: A-L*, 5–21, 5–52,
5–74

Home blocks, *Vol. 1: A-L*, 3–5

/HOMEBLOCKS qualifier

in Analyze/Disk_Structure utility, *Vol. 1: A-L*,
3–10

I

I/O addresses, *Vol. 2: M-Z*, 6–40

I/O class record

in Monitor utility, *Vol. 2: M-Z*, A–20

I/O databases, *Vol. 2: M-Z*, 6–35

displaying on Alpha systems, *Vol. 2: M-Z*,
7–89

I/O drivers

loading, *Vol. 2: M-Z*, 6–18

replacing with new version of, *Vol. 2: M-Z*,
6–19

I/O statistics

in Monitor utility, *Vol. 2: M-Z*, 1–38

ICBM (IOGEN Configuration Building Module),
Vol. 2: M-Z, 7–85, 7–86, 7–92

Identifier ACEs, *Vol. 1: A-L*, 1–14

types of identifiers, *Vol. 1: A-L*, 1–14

Identifiers

default, *Vol. 1: A-L*, 5–7

environmental, *Vol. 1: A-L*, 1–14

general, *Vol. 1: A-L*, 1–14, 1–16

granting, *Vol. 1: A-L*, 1–14, 5–52

granting to a process, *Vol. 1: A-L*, 1–16

renaming, *Vol. 1: A-L*, 5–85

resource

and directory ownership, *Vol. 1: A-L*, 1–10

revoking, *Vol. 1: A-L*, 5–86

specifying characteristics of, *Vol. 1: A-L*, 1–17

specifying multiple pairs of, *Vol. 1: A-L*, 1–17

types, *Vol. 1: A-L*, 1–14

- IEEE_ADDRESSH system parameter, *Vol. 2: M-Z*, C-24
- IEEE_ADDRESS system parameter, *Vol. 2: M-Z*, C-24
- /IGNORE qualifier
 - in Backup utility, *Vol. 1: A-L*, 7-48
- IJOBIM system parameter, *Vol. 2: M-Z*, C-24
- Image
 - See System loadable image
 - accounting, *Vol. 1: A-L*, 12-7, 12-23
 - applying an ACE to, *Vol. 1: A-L*, 1-16
 - authorized privileges, *Vol. 1: A-L*, 12-8, 12-24
 - header-resident, *Vol. 1: A-L*, 12-8, 12-25
 - privileged, *Vol. 1: A-L*, 12-8, 12-25
 - protecting installed, *Vol. 1: A-L*, 12-9, 12-25
- Image backup
 - definition, *Vol. 1: A-L*, 7-4
- Image mode, *Vol. 1: A-L*, 7-51
- /IMAGE qualifier
 - in Backup utility, *Vol. 1: A-L*, 7-51
- IMGIOCNT system parameter, *Vol. 2: M-Z*, C-24
- IMGREG_PAGES system parameter, *Vol. 2: M-Z*, C-24
- Incoming LAT connections, *Vol. 1: A-L*, 14-34
- Incremental backup
 - definition, *Vol. 1: A-L*, 7-4
- Incremental mode
 - restoring files, *Vol. 1: A-L*, 7-53
- /INCREMENTAL qualifier
 - in Backup utility, *Vol. 1: A-L*, 7-53
- Initialization
 - erasing home blocks, *Vol. 1: A-L*, 3-10
- Initialization files
 - creating, *Vol. 2: M-Z*, 5-64
 - default specification, *Vol. 2: M-Z*, 7-4
 - establishing SHOW CLUSTER reports, *Vol. 2: M-Z*, 5-13
 - use with SYSMAN, *Vol. 2: M-Z*, 7-4
- Initialization procedures, *Vol. 1: A-L*, D-1
- INITIALIZE command
 - in Monitor utility, *Vol. 2: M-Z*, 1-10
 - in Show Cluster utility, *Vol. 2: M-Z*, 5-46
- /INITIALIZE qualifier
 - in Backup utility, *Vol. 1: A-L*, 7-55
- INITIAL mode, *Vol. 1: A-L*, 6-12
- Input files
 - security audit log files, *Vol. 1: A-L*, 4-3
- /INPUT qualifier
 - in Monitor utility, *Vol. 2: M-Z*, 1-13
- Input stream
 - switching control to other processes, *Vol. 2: M-Z*, 7-17
- /INPUT_FILES qualifier
 - in Backup utility, *Vol. 1: A-L*, 7-57
- INSTALL command
 - in POLYCENTER Software Installation utility, *Vol. 2: M-Z*, 3-31
 - in SYSGEN, *Vol. 2: M-Z*, 6-17
- Installing software
 - getting product information, *Vol. 2: M-Z*, 3-56
 - POLYCENTER Software Installation utility, *Vol. 2: M-Z*, 3-31
 - removing software, *Vol. 2: M-Z*, 3-53
- Install utility (INSTALL)
 - commands
 - ADD, *Vol. 1: A-L*, 12-6
 - CREATE, *Vol. 1: A-L*, 12-7
 - DELETE, *Vol. 1: A-L*, 12-12
 - EXIT, *Vol. 1: A-L*, 12-13
 - HELP, *Vol. 1: A-L*, 12-14
 - LIST, *Vol. 1: A-L*, 12-15
 - PURGE, *Vol. 1: A-L*, 12-21
 - REMOVE, *Vol. 1: A-L*, 12-22
 - REPLACE, *Vol. 1: A-L*, 12-23
 - TRANSLATE, *Vol. 1: A-L*, 12-3
 - exiting, *Vol. 1: A-L*, 12-3
 - invoking, *Vol. 1: A-L*, 12-3
 - /TRANSLATE qualifier, *Vol. 1: A-L*, 12-3
- Interactive commands
 - See Command mode for Audit Analysis utility
- /INTERCHANGE qualifier
 - in Backup utility, *Vol. 1: A-L*, 7-58
- /INTERVAL qualifier, *Vol. 2: M-Z*, 5-18
 - in Monitor utility, *Vol. 2: M-Z*, 1-14
 - relationship of qualifier and event, *Vol. 2: M-Z*, 1-14
- INTSTKPAGES system parameter, *Vol. 2: M-Z*, C-25
- Invoking AUTOGEN, *Vol. 1: A-L*, 6-13
- Invoking SYSGEN, *Vol. 2: M-Z*, 6-4
- Invoking SYSMAN, *Vol. 2: M-Z*, 7-4
- IO AUTOCONFIGURE command
 - in SYSMAN, *Vol. 2: M-Z*, 7-69
- IO CONNECT command
 - in SYSMAN, *Vol. 2: M-Z*, 7-71
- IO CREATE_WWID command
 - in SYSMAN, *Vol. 2: M-Z*, 7-75
- IO FIND_WWID command
 - in SYSMAN, *Vol. 2: M-Z*, 7-76
- IOGEN Configuration Building Module
 - See ICBM
- IO LIST_WWID command
 - in SYSMAN, *Vol. 2: M-Z*, 7-79
- IO LOAD command
 - in SYSMAN, *Vol. 2: M-Z*, 7-80
- IO REBUILD command
 - in SYSMAN, *Vol. 2: M-Z*, 7-81
- IO REPLACE_WWID command
 - in SYSMAN, *Vol. 2: M-Z*, 7-82
- IO SCSI_PATH_VERIFY command
 - in SYSMAN, *Vol. 2: M-Z*, 7-84
- IO SET EXCLUDE command
 - in SYSMAN, *Vol. 2: M-Z*, 7-85

IO SET PREFIX command
in SYSMAN, *Vol. 2: M-Z*, 7–86
IO SHOW BUS command
in SYSMAN, *Vol. 2: M-Z*, 7–87
IO SHOW DEVICE command
in SYSMAN, *Vol. 2: M-Z*, 7–89
IO SHOW EXCLUDE command
in SYSMAN, *Vol. 2: M-Z*, 7–91
IO SHOW PREFIX command
in SYSMAN, *Vol. 2: M-Z*, 7–92
IOTA system parameter, *Vol. 2: M-Z*, C–25
IO_PREFER_CPUS system parameter, *Vol. 2: M-Z*, C–25

J

JBOBLIM system parameter, *Vol. 2: M-Z*, C–25
JOBCTLD system parameter, *Vol. 2: M-Z*, C–25
/JOURNAL qualifier
in Backup utility, *Vol. 1: A-L*, 7–59

K

Keypad definitions, *Vol. 2: M-Z*, 5–13, 5–71
SHOW CLUSTER, *Vol. 2: M-Z*, B–1
Keypad editing
editing commands, *Vol. 1: A-L*, A–1
for ACL editor, *Vol. 1: A-L*, A–1
LK201-specific editing commands, *Vol. 1: A-L*, A–5
Keys
defining, *Vol. 2: M-Z*, 7–36
defining in LATCP, *Vol. 1: A-L*, 14–19
defining in SYSMAN, *Vol. 2: M-Z*, 7–3
displaying definition, *Vol. 2: M-Z*, 7–122
KFILSTCNT system parameter, *Vol. 2: M-Z*, C–25
Known file entries, *Vol. 1: A-L*, 12–3
Known file lists, *Vol. 1: A-L*, 12–3
Known images, *Vol. 1: A-L*, 12–3
adding, *Vol. 1: A-L*, 12–6
attributes of, *Vol. 1: A-L*, 12–17
creating, *Vol. 1: A-L*, 12–7
deleting, *Vol. 1: A-L*, 12–12
evaluating merits of installing, *Vol. 1: A-L*, 12–15
removing, *Vol. 1: A-L*, 12–22
replacing, *Vol. 1: A-L*, 12–23
substituting, *Vol. 1: A-L*, 12–3
updating, *Vol. 1: A-L*, 12–3, 12–23
KSTACKPAGES system parameter, *Vol. 2: M-Z*, C–25

L

/LABEL qualifier
in Backup utility, *Vol. 1: A-L*, 7–62
LAMAPREGS system parameter, *Vol. 2: M-Z*, C–25
LANACP LAN Server process, *Vol. 1: A-L*, 13–3
SET ACP command, *Vol. 1: A-L*, 13–30
LAN addresses, *Vol. 1: A-L*, 14–7
displaying, *Vol. 1: A-L*, 14–59
LAN controllers
address, *Vol. 1: A-L*, 14–59
device name, *Vol. 1: A-L*, 14–8
physical address, *Vol. 1: A-L*, 14–7
LAN Control Program (LANCP) utility
clearing counters, *Vol. 1: A-L*, 13–8
commands
CLEAR DEVICE, *Vol. 1: A-L*, 13–7
CLEAR DLL, *Vol. 1: A-L*, 13–8
CLEAR NODE, *Vol. 1: A-L*, 13–9
CONNECT NODE, *Vol. 1: A-L*, 13–10
CONVERT DEVICE_DATABASE, *Vol. 1: A-L*, 13–12
CONVERT NODE_DATABASE, *Vol. 1: A-L*, 13–13
DEFINE DEVICE, *Vol. 1: A-L*, 13–14
DEFINE NODE, *Vol. 1: A-L*, 13–19
@ (Execute Procedure), *Vol. 1: A-L*, 13–6
EXIT, *Vol. 1: A-L*, 13–22
HELP, *Vol. 1: A-L*, 13–23
LIST DEVICE, *Vol. 1: A-L*, 13–24
LIST NODE, *Vol. 1: A-L*, 13–26
PURGE DEVICE, *Vol. 1: A-L*, 13–28
PURGE NODE, *Vol. 1: A-L*, 13–29
SET ACP, *Vol. 1: A-L*, 13–30
SET DEVICE, *Vol. 1: A-L*, 13–31
SET NODE, *Vol. 1: A-L*, 13–40
SHOW CONFIGURATION, *Vol. 1: A-L*, 13–43
SHOW DEVICE, *Vol. 1: A-L*, 13–44
SHOW DLL, *Vol. 1: A-L*, 13–48
SHOW LOG, *Vol. 1: A-L*, 13–49
SHOW NODE, *Vol. 1: A-L*, 13–51
SPAWN, *Vol. 1: A-L*, 13–53
TRIGGER NODE, *Vol. 1: A-L*, 13–54
deleting device information, *Vol. 1: A-L*, 13–7, 13–28
deleting node information, *Vol. 1: A-L*, 13–9, 13–29
displaying node information, *Vol. 1: A-L*, 13–26, 13–51
displaying OPCOM messages, *Vol. 1: A-L*, 13–30
displaying status and counters, *Vol. 1: A-L*, 13–26, 13–48, 13–51
exiting, *Vol. 1: A-L*, 13–4
invoking, *Vol. 1: A-L*, 13–3

- LAN Control Program (LANCP) utility (cont'd)
 - MOP console carrier, *Vol. 1: A-L*, 13–10
 - MOP trigger boot, *Vol. 1: A-L*, 13–54
 - setting device information, *Vol. 1: A-L*, 13–14
- LANCP (Local Area Network Control Program)
 - See LAN Control Program (LANCP) utility
- LANs (local area networks)
 - clearing counters, *Vol. 1: A-L*, 13–8
 - deleting device information, *Vol. 1: A-L*, 13–7, 13–28
 - deleting node information, *Vol. 1: A-L*, 13–9, 13–29
 - displaying LAN device parameters, *Vol. 1: A-L*, 13–24, 13–44
 - displaying node information, *Vol. 1: A-L*, 13–26, 13–51
 - displaying OPCOM messages, *Vol. 1: A-L*, 13–30
 - displaying status and counters, *Vol. 1: A-L*, 13–26, 13–48, 13–51
 - LANCP SPAWN command, *Vol. 1: A-L*, 13–53
 - MOP console carrier, *Vol. 1: A-L*, 13–10
 - MOP trigger boot, *Vol. 1: A-L*, 13–54
 - setting device information, *Vol. 1: A-L*, 13–14
- LAN_FLAGS system parameter, *Vol. 2: M-Z*, C–26
- Large buffers, *Vol. 1: A-L*, 14–36
- LAT\$STARTUP.COM command procedure, *Vol. 1: A-L*, 14–41
- LAT Control Program (LATCP) utility
 - announcements, *Vol. 1: A-L*, 14–33
 - exiting, *Vol. 1: A-L*, 14–26
 - help, *Vol. 1: A-L*, 14–27
 - invoking, *Vol. 1: A-L*, 14–3
 - setting SCSSYSTEMID system parameter, *Vol. 1: A-L*, 14–7
- LATCP
 - See LAT Control Program utility
- LAT protocol
 - Break-in attempts, *Vol. 2: M-Z*, C–27
- LAT software
 - changing DECserver characteristics, *Vol. 1: A-L*, 14–10, 14–43
 - characteristics
 - added or changed, *Vol. 1: A-L*, 14–3
 - storing, *Vol. 1: A-L*, 14–3
 - connections, *Vol. 1: A-L*, 14–39, 14–66
 - incoming, *Vol. 1: A-L*, 14–34
 - specifying type of, *Vol. 1: A-L*, 14–34
 - devices
 - changing HANGUP characteristic, *Vol. 1: A-L*, 14–10
 - device unit number, *Vol. 1: A-L*, 14–40
 - outgoing connections, *Vol. 1: A-L*, 14–34
 - service
 - creating, *Vol. 1: A-L*, 14–15
 - database, *Vol. 1: A-L*, 14–37, 14–40
- LAT software
 - service (cont'd)
 - deleting, *Vol. 1: A-L*, 14–25
 - displaying characteristics of, *Vol. 1: A-L*, 14–67
 - displaying counters, *Vol. 1: A-L*, 14–66
 - displaying information, *Vol. 1: A-L*, 14–66
 - identifier, *Vol. 1: A-L*, 14–15, 14–36, 14–47
 - limiting size of node database, *Vol. 1: A-L*, 14–37, 14–40
 - modifying characteristics of, *Vol. 1: A-L*, 14–47
 - naming, *Vol. 1: A-L*, 14–15, 14–31
 - rating, *Vol. 1: A-L*, 14–16, 14–48, 14–59, 14–67
 - session limit, *Vol. 1: A-L*, 14–35, 14–38
 - starting with SET NODE/STATE=ON, *Vol. 1: A-L*, 14–39
 - stopping with SET NODE/STATE=OFF, *Vol. 1: A-L*, 14–39
- LCKMGR_CPUID system parameter, *Vol. 2: M-Z*, C–26
- LGI system parameters
 - LGI_BRK_DISUSER, *Vol. 2: M-Z*, C–27
 - LGI_BRK_LIM, *Vol. 2: M-Z*, C–27
 - LGI_BRK_TERM, *Vol. 2: M-Z*, C–27
 - LGI_BRK_TMO, *Vol. 2: M-Z*, C–27
 - LGI_CALLOUTS, *Vol. 2: M-Z*, C–27
 - LGI_HID_TIM, *Vol. 2: M-Z*, C–27
 - LGI_PWD_TMO, *Vol. 2: M-Z*, C–27
 - LGI_RETRY_LIM, *Vol. 2: M-Z*, C–28
 - LGI_RETRY_TMO, *Vol. 2: M-Z*, C–28
- See also System parameters
 - Login security
- LICENSE LOAD command
 - in SYSMAN, *Vol. 2: M-Z*, 7–93
- Licenses
 - deactivating, *Vol. 2: M-Z*, 7–94
- LICENSE UNLOAD command
 - in SYSMAN, *Vol. 2: M-Z*, 7–94
- Limited port, *Vol. 1: A-L*, 14–11, 14–44
- Links
 - creating with LATCP, *Vol. 1: A-L*, 14–7
 - deleting with LATCP, *Vol. 1: A-L*, 14–22
 - displaying characteristics using LATCP, *Vol. 1: A-L*, 14–53
 - displaying counters using LATCP, *Vol. 1: A-L*, 14–50
 - displaying information using LATCP, *Vol. 1: A-L*, 14–50
 - modifying characteristics using LATCP, *Vol. 1: A-L*, 14–31
 - name options in LATCP, *Vol. 1: A-L*, 14–7
 - state of in LAT environment, *Vol. 1: A-L*, 14–8
- LIST/IDENTIFIER command
 - in Authorize utility, *Vol. 1: A-L*, 5–58

LIST/PROXY command
 in Authorize utility, *Vol. 1: A-L*, 5–60
 LIST/RIGHTS command
 in Authorize utility, *Vol. 1: A-L*, 5–61
 LIST command
 in Audit Analysis utility, *Vol. 1: A-L*, 4–34
 in Authorize utility, *Vol. 1: A-L*, 5–56
 in Install utility, *Vol. 1: A-L*, 12–15
 in POLYCENTER Software Installation utility,
 Vol. 2: M-Z, 3–36
 LIST DEVICE command
 in LANCP utility, *Vol. 1: A-L*, 13–24
 Listing
 network proxy database, *Vol. 1: A-L*, 5–60
 rights database, *Vol. 1: A-L*, 5–58, 5–61
 save-set information, *Vol. 1: A-L*, 7–20, 7–43,
 7–64
 system user authorization file (SYSUAF), *Vol.*
 1: A-L, 5–56
 LIST NODE command
 in LANCP utility, *Vol. 1: A-L*, 13–26
 /LIST qualifier, *Vol. 1: A-L*, 3–6
 in Analyze/Disk_Structure utility, *Vol. 1: A-L*,
 3–11
 in Backup utility, *Vol. 1: A-L*, 7–64
 LK201-specific editing commands, *Vol. 1: A-L*,
 A–5
 LMCP
 See Log Manager Control Program (LMCP)
 utility
 LNMPHASHTBL system parameter, *Vol. 2: M-Z*,
 C–28
 LNMSHASHTBL system parameter, *Vol. 2: M-Z*,
 C–28
 Load balancing, *Vol. 1: A-L*, 14–16, 14–48
 and CPU power, *Vol. 1: A-L*, 14–34
 LOAD command
 in SYSGEN, *Vol. 2: M-Z*, 6–18
 Loading device drivers
 on Alpha systems, *Vol. 2: M-Z*, 7–69, 7–71,
 7–80
 Loading I/O driver, *Vol. 2: M-Z*, 6–18
 LOAD_PWD_POLICY system parameter, *Vol. 2:*
 M-Z, C–28
 LOAD_SYS_IMAGES system parameter, *Vol. 2:*
 M-Z, C–28
 Local area cluster environments
 setting system date and time, *Vol. 2: M-Z*,
 7–32
 LOCAL_PORTS class
 adding, *Vol. 2: M-Z*, 5–35
 fields belonging to, *Vol. 2: M-Z*, 5–8
 removing, *Vol. 2: M-Z*, 5–60
 LOCK class record
 in Monitor utility, *Vol. 2: M-Z*, A–22
 LOCKDIRWT system parameter, *Vol. 2: M-Z*,
 C–29
 LOCKIDTBL system parameter, *Vol. 2: M-Z*,
 C–29
 LOCKIDTBL_MAX system parameter, *Vol. 2:*
 M-Z, C–29
 LOCKRETRY system parameter, *Vol. 2: M-Z*,
 C–29
 /LOCK_VOLUME qualifier
 in Analyze/Disk_Structure utility, *Vol. 1: A-L*,
 3–12
 Login command procedures
 LOGIN.COM, *Vol. 1: A-L*, 5–50
 Log Manager Control Program (LMCP) utility,
 Vol. 1: A-L, 15–1
 CLOSE LOG command, *Vol. 1: A-L*, 15–4
 CONVERT LOG command, *Vol. 1: A-L*, 15–5
 CREATE LOG command, *Vol. 1: A-L*, 15–7
 DUMP command, *Vol. 1: A-L*, 15–9
 EXIT command, *Vol. 1: A-L*, 15–14
 HELP command, *Vol. 1: A-L*, 15–15
 REPAIR command, *Vol. 1: A-L*, 15–16
 SHOW LOG command, *Vol. 1: A-L*, 15–19
 /LOG qualifier
 in Backup utility, *Vol. 1: A-L*, 7–66
 LONGWAIT system parameter, *Vol. 2: M-Z*, C–29
 Lost files
 recovering, *Vol. 1: A-L*, 3–5
 LPBEGIN phase of system startup, *Vol. 2: M-Z*,
 7–140
 LPBETA phase of system startup, *Vol. 2: M-Z*,
 7–140
 LPMAIN phase of system startup, *Vol. 2: M-Z*,
 7–140
 LTA device, *Vol. 1: A-L*, 14–34
 LTDRIVER (LAT port driver)
 turning on and off, *Vol. 1: A-L*, 14–3

M

Magnetic tape devices
 serving within a cluster, *Vol. 2: M-Z*, C–68
 Management environment
 defining, *Vol. 2: M-Z*, 7–117
 MAXBOB* system parameters, *Vol. 2: M-Z*, C–30
 MAXBOBMEM system parameter, *Vol. 2: M-Z*,
 C–30
 MAXBUF system parameter, *Vol. 2: M-Z*, C–30
 MAXCLASSPRI system parameter, *Vol. 2: M-Z*,
 C–30
 MAXPROCESSCNT system parameter, *Vol. 2:*
 M-Z, C–30
 MAXQUEPRI system parameter, *Vol. 2: M-Z*,
 C–30
 MAXSYSGROUP system parameter, *Vol. 2: M-Z*,
 C–31

MC_SERVICES_P0 system parameter, *Vol. 2: M-Z, C-31*

MC_SERVICES_P1 system parameter, *Vol. 2: M-Z, C-31*

MC_SERVICES_P2 system parameter, *Vol. 2: M-Z, C-31*

MC_SERVICES_P3 system parameter, *Vol. 2: M-Z, C-31*

MC_SERVICES_P4 system parameter, *Vol. 2: M-Z, C-31*

MC_SERVICES_P5 system parameter, *Vol. 2: M-Z, C-31*

MC_SERVICES_P6 system parameter, *Vol. 2: M-Z, C-32*

MC_SERVICES_P7 system parameter, *Vol. 2: M-Z, C-32*

MC_SERVICES_P8 system parameter, *Vol. 2: M-Z, C-32*

MC_SERVICES_P9 system parameter, *Vol. 2: M-Z, C-32*

/MEDIA_FORMAT qualifier
in Backup utility, *Vol. 1: A-L, 7-67*

MEMBERS class
adding, *Vol. 2: M-Z, 5-37*
fields belonging to, *Vol. 2: M-Z, 5-9*
removing, *Vol. 2: M-Z, 5-61*

Memory
multiport, *Vol. 2: M-Z, 6-23*

Memory reservations
displays on running system, *Vol. 2: M-Z, 7-116*
frees on running system, *Vol. 2: M-Z, 7-109*

MINCLASSPRI system parameter, *Vol. 2: M-Z, C-32*

MINWSCNT system parameter, *Vol. 2: M-Z, C-33*

MMG_CTLFLAGS system parameter, *Vol. 2: M-Z, C-33*

MODES class record
in Monitor utility, *Vol. 2: M-Z, A-23*

Modes of execution, *Vol. 1: A-L, 6-12*
for SYSMAN startup files, *Vol. 2: M-Z, 7-133*

Modes of operation, *Vol. 1: A-L, 3-4*
image, *Vol. 1: A-L, 7-51*
physical, *Vol. 1: A-L, 7-73*

/MODIFIED qualifier
in Backup utility, *Vol. 1: A-L, 7-68*

MODIFY/IDENTIFIER command
in Authorize utility, *Vol. 1: A-L, 5-74*

MODIFY/PROXY command
in Authorize utility, *Vol. 1: A-L, 5-76*

MODIFY/SYSTEM_PASSWORD command
in Authorize utility, *Vol. 1: A-L, 5-78*

MODIFY command
in Authorize utility, *Vol. 1: A-L, 5-62*

MODIFY DEVICE command
in UCM, *Vol. 2: M-Z, 8-17*

Modifying page, swap, and dump file sizes, *Vol. 1: A-L, 6-3*

Modifying system parameters
recommended method, *Vol. 1: A-L, 6-3*

MONITOR ALL_CLASSES command
in Monitor utility, *Vol. 2: M-Z, 1-17*

MONITOR CLUSTER command
in Monitor utility, *Vol. 2: M-Z, 1-19*

MONITOR command
in Monitor utility, *Vol. 2: M-Z, 1-11*

MONITOR DECNET command
in Monitor utility, *Vol. 2: M-Z, 1-24*

MONITOR DISK command
in Monitor utility, *Vol. 2: M-Z, 1-26*

MONITOR DLOCK command
in Monitor utility, *Vol. 2: M-Z, 1-29*

MONITOR FCP command
in Monitor utility, *Vol. 2: M-Z, 1-32*

MONITOR FILE_SYSTEM_CACHE command
in Monitor utility, *Vol. 2: M-Z, 1-34*

MONITOR IO command
in Monitor utility, *Vol. 2: M-Z, 1-38*

MONITOR LOCK command
in Monitor utility, *Vol. 2: M-Z, 1-40*

MONITOR MODES command
in Monitor utility, *Vol. 2: M-Z, 1-42*

MONITOR MSCP_SERVER command
in Monitor utility, *Vol. 2: M-Z, 1-46*

MONITOR PAGE command
in Monitor utility, *Vol. 2: M-Z, 1-48*

MONITOR PROCESSES command
in Monitor utility, *Vol. 2: M-Z, 1-50*

MONITOR RLOCK command
in Monitor utility, *Vol. 2: M-Z, 1-56*

MONITOR RMS command
in Monitor utility, *Vol. 2: M-Z, 1-58*

MONITOR SCS command
in Monitor utility, *Vol. 2: M-Z, 1-62*

MONITOR STATES command
in Monitor utility, *Vol. 2: M-Z, 1-66*

MONITOR SYSTEM command
in Monitor utility, *Vol. 2: M-Z, 1-70*

MONITOR TIMER command
in Monitor utility, *Vol. 2: M-Z, 1-74*

MONITOR TRANSACTION command
in Monitor utility, *Vol. 2: M-Z, 1-76*

Monitor utility (MONITOR)
classname qualifiers
/ALL, *Vol. 2: M-Z, 1-56*
/CPU, *Vol. 2: M-Z, 1-42*
/ITEM, *Vol. 2: M-Z, 1-26, 1-62*
/TOPBIO, *Vol. 2: M-Z, 1-50*
/TOPCPU, *Vol. 2: M-Z, 1-50*
/TOPDIO, *Vol. 2: M-Z, 1-50*
/TOPFAULT, *Vol. 2: M-Z, 1-50*
/TOPRBS, *Vol. 2: M-Z, 1-50*
Cluster performance statistics, *Vol. 2: M-Z, 1-19*

Monitor utility (MONITOR) (cont'd)

- collection interval, *Vol. 2: M-Z*, 1-14
- command qualifiers, *Vol. 2: M-Z*, 1-12 to 1-16
- commands, *Vol. 2: M-Z*, 1-5 to 1-83
 - CONVERT, *Vol. 2: M-Z*, 1-6
 - EXECUTE, *Vol. 2: M-Z*, 1-7
 - EXIT, *Vol. 2: M-Z*, 1-8
 - HELP, *Vol. 2: M-Z*, 1-9
 - INITIALIZE, *Vol. 2: M-Z*, 1-10
 - MONITOR, *Vol. 2: M-Z*, 1-11
 - MONITOR ALL_CLASSES, *Vol. 2: M-Z*, 1-17
 - MONITOR CLUSTER, *Vol. 2: M-Z*, 1-19
 - MONITOR DECNET, *Vol. 2: M-Z*, 1-24
 - MONITOR DISK, *Vol. 2: M-Z*, 1-26
 - MONITOR DLOCK, *Vol. 2: M-Z*, 1-29
 - MONITOR FCP, *Vol. 2: M-Z*, 1-32
 - MONITOR FILE_SYSTEM_CACHE, *Vol. 2: M-Z*, 1-34
 - MONITOR IO, *Vol. 2: M-Z*, 1-38
 - MONITOR LOCK, *Vol. 2: M-Z*, 1-40
 - MONITOR MODES, *Vol. 2: M-Z*, 1-42
 - MONITOR MSCP_SERVER, *Vol. 2: M-Z*, 1-46
 - MONITOR PAGE, *Vol. 2: M-Z*, 1-48
 - MONITOR PROCESSES, *Vol. 2: M-Z*, 1-50
 - MONITOR RLOCK, *Vol. 2: M-Z*, 1-56
 - MONITOR RMS, *Vol. 2: M-Z*, 1-58
 - MONITOR SCS, *Vol. 2: M-Z*, 1-62
 - MONITOR STATES, *Vol. 2: M-Z*, 1-66
 - MONITOR SYSTEM, *Vol. 2: M-Z*, 1-70
 - MONITOR TIMER, *Vol. 2: M-Z*, 1-74
 - MONITOR TRANSACTION, *Vol. 2: M-Z*, 1-76
 - MONITOR VBS, *Vol. 2: M-Z*, 1-79
 - MONITOR VECTOR, *Vol. 2: M-Z*, 1-80
 - SET DEFAULT, *Vol. 2: M-Z*, 1-82
 - SHOW DEFAULT, *Vol. 2: M-Z*, 1-83
- directing output, *Vol. 2: M-Z*, 1-4
- exiting, *Vol. 2: M-Z*, 1-4
- invoking, *Vol. 2: M-Z*, 1-4
- recording file record formats, *Vol. 2: M-Z*, A-1 to A-13
- relationship of qualifier and event, *Vol. 2: M-Z*, 1-14
- MONITOR_SERVER process
 - created on remote cluster node, *Vol. 2: M-Z*, 1-20
 - log file, *Vol. 2: M-Z*, 1-21
 - network startup, *Vol. 2: M-Z*, 1-21
 - purpose, *Vol. 2: M-Z*, 1-20
 - startup time, *Vol. 2: M-Z*, 1-21
- MOP downline load services
 - clearing counters, *Vol. 1: A-L*, 13-8
 - console carrier, *Vol. 1: A-L*, 13-10
 - displaying status and counters, *Vol. 1: A-L*, 13-26, 13-51

MOP downline load services (cont'd)

- trigger boot, *Vol. 1: A-L*, 13-54
- MOUNT command
 - avoiding use of /CLUSTER with SYSMAN DO command, *Vol. 2: M-Z*, 7-54
- Mount error message, *Vol. 1: A-L*, 7-82
- Mount verification
 - forced by VERIFY utility, *Vol. 1: A-L*, 3-4
- MOVE command
 - in Show Cluster utility, *Vol. 2: M-Z*, 5-47
- MOVE keypad function, *Vol. 2: M-Z*, B-3
- MPDEV_AFB_INTVL system parameter, *Vol. 2: M-Z*, C-33
- MPDEV_D* system parameters, *Vol. 2: M-Z*, C-33
- MPDEV_ENABLE system parameter, *Vol. 2: M-Z*, C-34
- MPDEV_LCRETRIES system parameter, *Vol. 2: M-Z*, C-34
- MPDEV_POLLER system parameter, *Vol. 2: M-Z*, C-34
- MPDEV_REMOTE system parameter, *Vol. 2: M-Z*, C-34
- MPW_HILIMIT system parameter, *Vol. 2: M-Z*, C-34
- MPW_IOLIMIT system parameter, *Vol. 2: M-Z*, C-34
- MPW_LOLIMIT system parameter, *Vol. 2: M-Z*, C-35
- MPW_LOWAITLIMIT system parameter, *Vol. 2: M-Z*, C-35
- MPW_PRIO system parameter, *Vol. 2: M-Z*, C-35
- MPW_THRESH system parameter, *Vol. 2: M-Z*, C-35
- MPW_WAITLIMIT system parameter, *Vol. 2: M-Z*, C-35
- MPW_WRTCLUSTER system parameter, *Vol. 2: M-Z*, C-35
- MSCP_BUFFER system parameter, *Vol. 2: M-Z*, C-36
- MSCP_CMD_TMO system parameter, *Vol. 2: M-Z*, C-36
- MSCP_CREDITS system parameter, *Vol. 2: M-Z*, C-36
- MSCP_LOAD system parameter, *Vol. 2: M-Z*, C-36
- MSCP_SERVER class record
 - in Monitor utility, *Vol. 2: M-Z*, A-25
- MSCP_SERVE_ALL system parameter, *Vol. 2: M-Z*, C-36
- Multicast address
 - cluster
 - displaying, *Vol. 2: M-Z*, 7-34
- Multicast messages, *Vol. 1: A-L*, 14-25, 14-50
 - timer for, *Vol. 1: A-L*, 14-37
- Multipoint memory
 - connecting, *Vol. 2: M-Z*, 6-23
 - initializing, *Vol. 2: M-Z*, 6-24

Multiport memory (cont'd)
sharing, *Vol. 2: M-Z*, 6–23
MULTIPROCESSING system parameter, *Vol. 2: M-Z*, C–37
MULTITHREAD system parameter, *Vol. 2: M-Z*, C–38
MVSUPMSG_INTVL system parameter, *Vol. 2: M-Z*, C–38
MVSUPMSG_NUM system parameter, *Vol. 2: M-Z*, C–38
MVTIMEOUT system parameter, *Vol. 2: M-Z*, C–38

N

Name Hidden attribute, *Vol. 1: A-L*, 5–21, 5–52, 5–74
NET\$PROXY.DAT files
description of, *Vol. 1: A-L*, 5–3
NETPROXY.DAT files
creating, *Vol. 1: A-L*, 5–37
description of, *Vol. 1: A-L*, 5–3
displaying proxy access, *Vol. 1: A-L*, 5–94
modifying, *Vol. 1: A-L*, 5–3
Network proxy authorization files, *Vol. 1: A-L*, 5–3
creating, *Vol. 1: A-L*, 5–37
modifying, *Vol. 1: A-L*, 5–3
Network statistics
in Monitor utility, *Vol. 2: M-Z*, 1–24
NET_CALLOUTS system parameter, *Vol. 2: M-Z*, C–39
NEWPARAMS.DAT file, *Vol. 1: A-L*, 6–3
contents, *Vol. 1: A-L*, 6–4
/NEW_VERSION qualifier
in Backup utility, *Vol. 1: A-L*, 7–69
NEXT FILE command
in Audit Analysis utility, *Vol. 1: A-L*, 4–35
NEXT RECORD command
in Audit Analysis utility, *Vol. 1: A-L*, 4–36
Nexus numbers
showing, *Vol. 2: M-Z*, 6–31, 6–32, 6–39
NISCS_CONV_BOOT system parameter, *Vol. 2: M-Z*, C–39
NISCS_LAN_OVRHD system parameter, *Vol. 2: M-Z*, C–39
NISCS_LOAD_PEA0 system parameter, *Vol. 2: M-Z*, C–39
NISCS_MAX_PKTSZ system parameter, *Vol. 2: M-Z*, C–39
NISCS_PORT_SERV system parameter, *Vol. 2: M-Z*, C–40
NJOBIM system parameter, *Vol. 2: M-Z*, C–40
No Access attribute, *Vol. 1: A-L*, 5–21, 5–52, 5–74
NOAUTOCONFIG system parameter, *Vol. 2: M-Z*, C–40
NOCLUSTER system parameter, *Vol. 2: M-Z*, C–40
Node names, *Vol. 1: A-L*, 14–33
Node numbers
display on Alpha systems, *Vol. 2: M-Z*, 7–87
/NODE qualifier
in Monitor utility, *Vol. 2: M-Z*, 1–15
Nodes
database, *Vol. 1: A-L*, 14–37, 14–40
deleting node information, *Vol. 1: A-L*, 13–9, 13–29
displaying characteristics of, *Vol. 1: A-L*, 14–58
displaying counters, *Vol. 1: A-L*, 14–55
displaying information using LATCP, *Vol. 1: A-L*, 14–55
limit, *Vol. 1: A-L*, 14–37
modifying characteristics of, *Vol. 1: A-L*, 14–33
state, *Vol. 1: A-L*, 14–39
target, *Vol. 1: A-L*, 14–63
NOFEEDBACK mode, *Vol. 1: A-L*, 6–12
NOPGFLSWP system parameter, *Vol. 2: M-Z*, C–40
/[NO]CONFIRM qualifier
in Analyze/Disk_Structure utility, *Vol. 1: A-L*, 3–9
/[NO]LIST qualifier
in Analyze/Disk_Structure utility, *Vol. 1: A-L*, 3–11
/[NO]LOCK_VOLUME qualifier
in Analyze/Disk_Structure utility, *Vol. 1: A-L*, 3–12
/[NO]READ_CHECK qualifier
in Analyze/Disk_Structure utility, *Vol. 1: A-L*, 3–14
/[NO]REPAIR qualifier
in Analyze/Disk_Structure utility, *Vol. 1: A-L*, 3–16
NPAGECALC system parameter, *Vol. 2: M-Z*, C–41
NPAGEDYN system parameter, *Vol. 2: M-Z*, C–41
NPAGERAD system parameter, *Vol. 2: M-Z*, C–41
NPAGEVIR system parameter, *Vol. 2: M-Z*, C–42
NPAG_AGGRESSIVE system parameter, *Vol. 2: M-Z*, C–42
NPAG_BAP_MAX system parameter, *Vol. 2: M-Z*, C–42
NPAG_BAP_MAX_PA system parameter, *Vol. 2: M-Z*, C–42
NPAG_BAP_MIN system parameter, *Vol. 2: M-Z*, C–42
NPAG_BAP_MIN_PA system parameter, *Vol. 2: M-Z*, C–43

NPAG_GENTLE system parameter, *Vol. 2: M-Z, C-43*
NPAG_INTERVAL system parameter, *Vol. 2: M-Z, C-43*
NPAG_RING_SIZE system parameter, *Vol. 2: M-Z, C-43*

O

Object classes
 security class object, *Vol. 1: A-L, 1-3*
Objects
 controlling access to, *Vol. 1: A-L, 1-14*
Object types
 See Object classes
OPCOM (Operator Communication Manager)
 messages
 generated by LANACP, *Vol. 1: A-L, 13-30*
OpenVMS Backup utility
 See Backup utility (BACKUP)
OpenVMS Cluster environments
 command execution, *Vol. 2: M-Z, 7-54*
 DCL commands interacting with SYSMAN
 cluster commands, *Vol. 2: M-Z, 7-5*
 displaying group number, *Vol. 2: M-Z, 7-34*
 displaying multicast address, *Vol. 2: M-Z, 7-34*
 displaying network information, *Vol. 2: M-Z, 7-34*
 displaying system date and time, *Vol. 2: M-Z, 7-35*
 dual-architecture
 installing images, *Vol. 2: M-Z, 7-54, 7-55*
 group number, *Vol. 2: M-Z, 7-30*
 modifying security data, *Vol. 2: M-Z, 7-30*
 password, *Vol. 2: M-Z, 7-30*
 setting time, *Vol. 2: M-Z, 7-32*
 updating security data, *Vol. 2: M-Z, 7-30*
OpenVMS RMS
 See RMS
Operations
 compare
 for BACKUP, *Vol. 1: A-L, 7-26*
 list, *Vol. 1: A-L, 7-20, 7-43, 7-64*
 performed by BACKUP, *Vol. 1: A-L, 7-3*
Operator assistance
 with BACKUP, *Vol. 1: A-L, 7-16*
/OUTPUT qualifier, *Vol. 2: M-Z, 5-19*
 in Monitor utility, *Vol. 2: M-Z, 1-15*
/OVERLAY qualifier
 in Backup utility, *Vol. 1: A-L, 7-70, 7-71*
/OWNER_UIC qualifier
 as Backup utility input file qualifier, *Vol. 1: A-L, 7-72*

P

PACKAGE command
 in POLYCENTER Software Installation utility,
 Vol. 2: M-Z, 3-39
/PAGE=SAVE qualifier navigation keys, *Vol. 1: A-L, 5-88*
PAGE class record
 in Monitor utility, *Vol. 2: M-Z, A-27*
PAGEDYN system parameter, *Vol. 2: M-Z, C-43*
PAGEFILE.SYS file
 See Page files
Page files
 changing size, *Vol. 1: A-L, 6-3*
 displaying the size calculated by AUTOGEN,
 Vol. 1: A-L, 6-10
 generating a new file sized by AUTOGEN, *Vol. 1: A-L, 6-11*
Page management statistics
 in Monitor utility, *Vol. 2: M-Z, 1-48*
PAGFILCNT system parameter, *Vol. 2: M-Z, C-43*
PAGTBLPFC system parameter, *Vol. 2: M-Z, C-43*
PAMAXPORT system parameter, *Vol. 2: M-Z, C-43*
PAN command
 in Show Cluster utility, *Vol. 2: M-Z, 5-49*
PAN keypad function, *Vol. 2: M-Z, B-3*
PANOPOLL system parameter, *Vol. 2: M-Z, C-44*
PANUM POLL system parameter, *Vol. 2: M-Z, C-44*
PAPOLLINTERVAL system parameter, *Vol. 2: M-Z, C-44*
PAPOOLINTERVAL system parameter, *Vol. 2: M-Z, C-44*
Parameter files
 ALPHAVMSSYS.OLD, *Vol. 1: A-L, 6-11*
 ALPHAVMSSYS.PAR, *Vol. 1: A-L, 6-11*
 AUTOGEN.PAR, *Vol. 1: A-L, 6-11*
 default, *Vol. 1: A-L, 6-11*
 VAXVMSSYS.OLD, *Vol. 1: A-L, 6-11*
 VAXVMSSYS.PAR, *Vol. 1: A-L, 6-11*
 writing, *Vol. 2: M-Z, 6-45, 7-103*
Parameters
 See also System parameters
 changing, *Vol. 2: M-Z, 7-97*
 passing to command procedures, *Vol. 1: A-L, 13-6*
PARAMETERS DISABLE CHECKS command
 in SYSMAN, *Vol. 2: M-Z, 7-95*
PARAMETERS ENABLE CHECKS command
 in SYSMAN, *Vol. 2: M-Z, 7-96*
PARAMETERS SET command
 in SYSMAN, *Vol. 2: M-Z, 7-97*

PARAMETERS SHOW command
in SYSMAN, *Vol. 2: M-Z*, 7–98

PARAMETERS USE command
in SYSMAN, *Vol. 2: M-Z*, 7–102

PARAMETERS WRITE command
in SYSMAN, *Vol. 2: M-Z*, 7–103

PARAMS.DAT file, *Vol. 1: A-L*, 6–10, 6–11

PASANITY system parameter, *Vol. 2: M-Z*, C–45

Password, *Vol. 2: M-Z*, 7–117
for OpenVMS Cluster, *Vol. 2: M-Z*, 7–30

PASTDGBUF system parameter, *Vol. 2: M-Z*,
C–45

Paste buffers, *Vol. 1: A-L*, A–5

PASTIMOUT system parameter, *Vol. 2: M-Z*,
C–45

PCFs (product configuration files)
CONFIGURE subcommand, *Vol. 2: M-Z*, 3–6

PDB (product database)
recording a volume label change, *Vol. 2: M-Z*,
3–51

PDFs (product description files)
of software products, *Vol. 2: M-Z*, 3–19

PEDRIVER
event-tracing facility, *Vol. 2: M-Z*, 4–6

Per-connection buffers
allocating, *Vol. 2: M-Z*, C–14

PE system parameter, *Vol. 2: M-Z*, C–45

PFCDEFAULT system parameter, *Vol. 2: M-Z*,
C–45

PFN_COLOR_COUNT system parameter, *Vol. 2:*
M-Z, C–45

PFRATH system parameter, *Vol. 2: M-Z*, C–46

PFRATL system parameter, *Vol. 2: M-Z*, C–46

Phases of AUTOGEN, *Vol. 1: A-L*, 6–9

Physical mode, *Vol. 1: A-L*, 7–73

PHYSICALPAGES system parameter, *Vol. 2:*
M-Z, C–46

/PHYSICAL qualifier
in Backup utility, *Vol. 1: A-L*, 7–73

PHYSICAL_MEMORY system parameter, *Vol. 2:*
M-Z, C–46

PIOPAGES system parameter, *Vol. 2: M-Z*, C–46

PIXSCAN system parameter, *Vol. 2: M-Z*, C–47

Point-to-Point Protocol utility (PPPD)
commands
CONNECT, *Vol. 2: M-Z*, 2–5
DIAL_OUT, *Vol. 2: M-Z*, 2–6
DISCONNECT, *Vol. 2: M-Z*, 2–8
EXIT, *Vol. 2: M-Z*, 2–9
HELP, *Vol. 2: M-Z*, 2–10
SET, *Vol. 2: M-Z*, 2–11
SHOW, *Vol. 2: M-Z*, 2–15
description, *Vol. 2: M-Z*, 2–3
exiting, *Vol. 2: M-Z*, 2–3
overview, *Vol. 2: M-Z*, 2–3

POLYCENTER Software Installation utility, *Vol.*
2: M-Z, 3–3
See also PRODUCT command
commands
CONFIGURE, *Vol. 2: M-Z*, 3–6
COPY, *Vol. 2: M-Z*, 3–10
DELETE RECOVERY_DATA, *Vol. 2: M-Z*,
3–14
EXTRACT FILE, *Vol. 2: M-Z*, 3–16
EXTRACT PDF, *Vol. 2: M-Z*, 3–19
EXTRACT PTF, *Vol. 2: M-Z*, 3–22
EXTRACT RELEASE_NOTES, *Vol. 2:*
M-Z, 3–25
FIND, *Vol. 2: M-Z*, 3–28
INSTALL, *Vol. 2: M-Z*, 3–31
LIST, *Vol. 2: M-Z*, 3–36
PACKAGE, *Vol. 2: M-Z*, 3–39
RECONFIGURE, *Vol. 2: M-Z*, 3–43
REGISTER PRODUCT, *Vol. 2: M-Z*, 3–47
REGISTER VOLUME, *Vol. 2: M-Z*, 3–51
REMOVE, *Vol. 2: M-Z*, 3–53
SHOW HISTORY, *Vol. 2: M-Z*, 3–56
SHOW OBJECT, *Vol. 2: M-Z*, 3–58
SHOW PRODUCT, *Vol. 2: M-Z*, 3–61
SHOW RECOVERY_DATA, *Vol. 2: M-Z*,
3–64
invoking, *Vol. 2: M-Z*, 3–3
parameters, *Vol. 2: M-Z*, 3–3

POOLCHECK system parameter, *Vol. 2: M-Z*,
C–47

POOLPAGING system parameter, *Vol. 2: M-Z*,
C–47

Ports
application, *Vol. 1: A-L*, 14–11, 14–43, 14–44,
14–45, 14–61
characteristics, *Vol. 1: A-L*, 14–61
counters, *Vol. 1: A-L*, 14–61
creating with LATCP, *Vol. 1: A-L*, 14–10
dedicated, *Vol. 1: A-L*, 14–11, 14–43, 14–61
deleting with LATCP, *Vol. 1: A-L*, 14–23
displaying characteristics of, *Vol. 1: A-L*,
14–61
displaying information using LATCP, *Vol. 1:*
A-L, 14–61
limited, *Vol. 1: A-L*, 14–11, 14–44
logical name of, *Vol. 1: A-L*, 14–11
modifying characteristics of with LATCP, *Vol.*
1: A-L, 14–43
name, *Vol. 1: A-L*, 14–43
outgoing connection, *Vol. 1: A-L*, 14–61
setting type of, *Vol. 1: A-L*, 14–11
target, *Vol. 1: A-L*, 14–63

POSITION command
in Audit Analysis utility, *Vol. 1: A-L*, 4–37

POWEROFF system parameter, *Vol. 2: M-Z*,
C–47

PPP connections

- establishing, *Vol. 2: M-Z*, 2–5
- setting characteristics, *Vol. 2: M-Z*, 2–11
- terminating, *Vol. 2: M-Z*, 2–8
- viewing characteristics, *Vol. 2: M-Z*, 2–15

PPPD

See Point-to-Point Protocol utility

PQL system parameters

- PQL_DASTLM, *Vol. 2: M-Z*, C–47
- PQL_DBIOLM, *Vol. 2: M-Z*, C–48
- PQL_DBYTLM, *Vol. 2: M-Z*, C–48
- PQL_DCPULM, *Vol. 2: M-Z*, C–48
- PQL_DDIOLM, *Vol. 2: M-Z*, C–48
- PQL_DENQLM, *Vol. 2: M-Z*, C–48
- PQL_DFILLM, *Vol. 2: M-Z*, C–48
- PQL_DJTQUOTA, *Vol. 2: M-Z*, C–48
- PQL_DPGFLQUOTA, *Vol. 2: M-Z*, C–48
- PQL_DPRCLM, *Vol. 2: M-Z*, C–48
- PQL_DTQELM, *Vol. 2: M-Z*, C–48
- PQL_DWSDEFAULT, *Vol. 2: M-Z*, C–48
- PQL_DWSEXTENT, *Vol. 2: M-Z*, C–49
- PQL_DWSQUOTA, *Vol. 2: M-Z*, C–49
- PQL_MASTLM, *Vol. 2: M-Z*, C–49
- PQL_MBIOLM, *Vol. 2: M-Z*, C–49
- PQL_MBYTLM, *Vol. 2: M-Z*, C–49
- PQL_MCPULM, *Vol. 2: M-Z*, C–49
- PQL_MDIOLM, *Vol. 2: M-Z*, C–49
- PQL_MENQLM, *Vol. 2: M-Z*, C–49
- PQL_MFILLM, *Vol. 2: M-Z*, C–49
- PQL_MJTQUOTA, *Vol. 2: M-Z*, C–49
- PQL_MPGFLQUOTA, *Vol. 2: M-Z*, C–49
- PQL_MPRCLM, *Vol. 2: M-Z*, C–50
- PQL_MTQELM, *Vol. 2: M-Z*, C–50
- PQL_MWSDEFAULT, *Vol. 2: M-Z*, C–50
- PQL_MWSEXTENT, *Vol. 2: M-Z*, C–50
- PQL_MWSQUOTA, *Vol. 2: M-Z*, C–50

See also System parameters

process limits and quotas

- PRCPOLINTERVAL system parameter, *Vol. 2: M-Z*, C–50

Prefix list

- displaying on Alpha systems, *Vol. 2: M-Z*, 7–92
- setting on Alpha systems, *Vol. 2: M-Z*, 7–86

Printers

- configuring in a LAT environment, *Vol. 1: A-L*, 14–11, 14–43

- PRIORITY_OFFSET system parameter, *Vol. 2: M-Z*, C–50

Privileges

- assigning to installed images, *Vol. 1: A-L*, 12–8, 12–25
- assigning to known images, *Vol. 1: A-L*, 12–9, 12–25
- displaying current, *Vol. 2: M-Z*, 7–123
- modifying for environment, *Vol. 2: M-Z*, 7–119
- required by ACL editor, *Vol. 1: A-L*, 1–4

Privileges (cont'd)

- required by SYSMAN, *Vol. 2: M-Z*, 7–4
- to perform BACKUP operations, *Vol. 1: A-L*, 7–11

Process activity statistics

- in Monitor utility, *Vol. 2: M-Z*, 1–50

Processes

- granting identifiers to, *Vol. 1: A-L*, 1–16
 - hibernating
 - with ATTACH command, *Vol. 2: M-Z*, 7–17
 - switching control of input stream to, *Vol. 2: M-Z*, 7–17
 - transferring control from, *Vol. 1: A-L*, 14–5
- ## PROCESSES class record
- in Monitor utility, *Vol. 2: M-Z*, A–28
- ## Processor modes statistics
- in Monitor utility, *Vol. 2: M-Z*, 1–42
- ## Process states statistics
- in Monitor utility, *Vol. 2: M-Z*, 1–66
- ## Process types
- with Accounting utility, *Vol. 1: A-L*, 2–22
- ## PROCSECTCNT system parameter, *Vol. 2: M-Z*, C–50

PRODUCT command, *Vol. 2: M-Z*, 3–3

- CONFIGURE subcommand, *Vol. 2: M-Z*, 3–6
- COPY subcommand, *Vol. 2: M-Z*, 3–10
- DELETE RECOVERY_DATA subcommand, *Vol. 2: M-Z*, 3–14
- EXTRACT FILE subcommand, *Vol. 2: M-Z*, 3–16
- EXTRACT PDF subcommand, *Vol. 2: M-Z*, 3–19
- EXTRACT PTF subcommand, *Vol. 2: M-Z*, 3–22
- EXTRACT RELEASE_NOTES subcommand, *Vol. 2: M-Z*, 3–25
- FIND subcommand, *Vol. 2: M-Z*, 3–28
- INSTALL subcommand, *Vol. 2: M-Z*, 3–31
- LIST subcommand, *Vol. 2: M-Z*, 3–36
- PACKAGE subcommand, *Vol. 2: M-Z*, 3–39
- RECONFIGURE subcommand, *Vol. 2: M-Z*, 3–43
- REGISTER PRODUCT subcommand, *Vol. 2: M-Z*, 3–47
- REGISTER VOLUME subcommand, *Vol. 2: M-Z*, 3–51
- REMOVE subcommand, *Vol. 2: M-Z*, 3–53
- SHOW HISTORY subcommand, *Vol. 2: M-Z*, 3–56
- SHOW OBJECT subcommand, *Vol. 2: M-Z*, 3–58
- SHOW PRODUCT subcommand, *Vol. 2: M-Z*, 3–61
- SHOW RECOVERY_DATA subcommand, *Vol. 2: M-Z*, 3–64
- SHOW UTILITY subcommand, *Vol. 2: M-Z*, 3–66

PRODUCT command (cont'd)

- UNDO PATCH subcommand, *Vol. 2: M-Z*, 3-67
- Product configuration files
 - See PCFs
- Product description files
 - See PDFs
- Product text files
 - See PTFs
- Profiles, *Vol. 2: M-Z*, 7-117
 - adjusting, *Vol. 2: M-Z*, 7-119
 - displaying, *Vol. 2: M-Z*, 7-123
 - in SYSMAN, *Vol. 2: M-Z*, 7-67
- Protection codes
 - propagating UIC-based protection in a directory tree, *Vol. 1: A-L*, 1-12
- /PROTECTION qualifier
 - in Backup utility, *Vol. 1: A-L*, 7-75
- Protocol bit mask
 - error definitions, *Vol. 1: A-L*, 14-58
- Proxy accounts
 - adding, *Vol. 1: A-L*, 5-23
 - deleting, *Vol. 1: A-L*, 5-81
 - modifying, *Vol. 1: A-L*, 5-76
- Proxy logins, *Vol. 1: A-L*, 5-23, 5-76
- PSEUDOLOA system parameter, *Vol. 2: M-Z*, C-51
- PTFs (product text files)
 - of software products, *Vol. 2: M-Z*, 3-22
- PURGE command
 - in Install utility, *Vol. 1: A-L*, 12-21
- PURGE DEVICE command
 - in LANCP utility, *Vol. 1: A-L*, 13-28
- PURGE NODE command
 - in LANCP utility, *Vol. 1: A-L*, 13-29
- PU_OPTIONS system parameter, *Vol. 2: M-Z*, C-51

Q

- QBUS_MULT_INTR system parameter, *Vol. 2: M-Z*, C-51
- QDSKINTERVAL system parameter, *Vol. 2: M-Z*, C-51
- QDSKVOTES system parameter, *Vol. 2: M-Z*, C-51
- QUANTUM system parameter, *Vol. 2: M-Z*, C-51
- Quota file
 - creating, *Vol. 2: M-Z*, 7-40
 - disabling, *Vol. 2: M-Z*, 7-43
 - displaying, *Vol. 2: M-Z*, 7-52
 - enabling, *Vol. 2: M-Z*, 7-45
 - modifying, *Vol. 2: M-Z*, 7-47
 - removing an entry, *Vol. 2: M-Z*, 7-42, 7-50
 - updating, *Vol. 2: M-Z*, 7-49

R

- RAD example, *Vol. 2: M-Z*, 7-149
- RAD_SUPPORT system parameter, *Vol. 2: M-Z*, C-51
- Range checking
 - disabling, *Vol. 2: M-Z*, 7-95
 - enabling, *Vol. 2: M-Z*, 7-96
- /READ_CHECK qualifier, *Vol. 1: A-L*, 3-14
 - in Analyze/Disk_Structure utility, *Vol. 1: A-L*, 3-14
- REALTIME_SPTS system parameter, *Vol. 2: M-Z*, C-52
- REBOOT phase of AUTOGEN, *Vol. 1: A-L*, 6-11
- Rebuilding configuration tables
 - on Alpha systems, *Vol. 2: M-Z*, 7-81
- RECALL command
 - in LATCP, *Vol. 1: A-L*, 14-28
- RECNXINTERVAL system parameter, *Vol. 2: M-Z*, C-52
- RECONFIGURE command
 - in POLYCENTER Software Installation utility, *Vol. 2: M-Z*, 3-43
- Recording files
 - class types, *Vol. 2: M-Z*, A-8
 - in Monitor utility
 - class header, *Vol. 2: M-Z*, A-9
 - class prefix for component classes, *Vol. 2: M-Z*, A-10
 - class records, *Vol. 2: M-Z*, A-8
 - data block, *Vol. 2: M-Z*, A-11
 - description, *Vol. 2: M-Z*, A-1
 - file header record, *Vol. 2: M-Z*, A-4
 - HP control records, *Vol. 2: M-Z*, A-3
 - I/O class record, *Vol. 2: M-Z*, A-20
 - node transition record, *Vol. 2: M-Z*, A-7
 - RLOCK class record, *Vol. 2: M-Z*, A-30
 - RMS class record, *Vol. 2: M-Z*, A-31
 - RMS file record, *Vol. 2: M-Z*, A-7
 - SCS class record, *Vol. 2: M-Z*, A-37
 - system information record, *Vol. 2: M-Z*, A-6
- /RECORD qualifier
 - in Backup utility, *Vol. 1: A-L*, 7-77
 - in Monitor utility, *Vol. 2: M-Z*, 1-15
- Records
 - See also Security audit log files
 - duplicating, *Vol. 1: A-L*, 5-25
- Record types
 - in Monitor utility, *Vol. 2: M-Z*, A-2
- /RECORD_ATTRIBUTES qualifier
 - in Analyze/Disk_Structure utility, *Vol. 1: A-L*, 3-15
- Recovering lost files, *Vol. 1: A-L*, 3-5
- REFRESH command
 - in LATCP, *Vol. 1: A-L*, 14-29
 - in Show Cluster utility, *Vol. 2: M-Z*, 5-51

REGISTER PRODUCT command
in POLYCENTER Software Installation utility,
Vol. 2: M-Z, 3-47

REGISTER VOLUME command
in POLYCENTER Software Installation utility,
Vol. 2: M-Z, 3-51

Release Notes
on software products, *Vol. 2: M-Z, 3-25*

/RELEASE_TAPE qualifier
in Backup utility, *Vol. 1: A-L, 7-78*

RELOAD command
in SYSGEN, *Vol. 2: M-Z, 6-19*
in UCM, *Vol. 2: M-Z, 8-19*

Remote nodes
creating MONITOR_SERVER process on, *Vol. 2: M-Z, 1-20*

REMOVE (Field) command
in Show Cluster utility, *Vol. 2: M-Z, 5-59*

REMOVE/IDENTIFIER command
in Authorize utility, *Vol. 1: A-L, 5-80*

REMOVE/PROXY command
in Authorize utility, *Vol. 1: A-L, 5-81*

REMOVE CIRCUITS command
in Show Cluster utility, *Vol. 2: M-Z, 5-52*

REMOVE CLUSTER command
in Show Cluster utility, *Vol. 2: M-Z, 5-53*

REMOVE command
in Authorize utility, *Vol. 1: A-L, 5-79*
in Install utility, *Vol. 1: A-L, 12-22*
in POLYCENTER Software Installation utility,
Vol. 2: M-Z, 3-53

REMOVE CONNECTIONS command
in Show Cluster utility, *Vol. 2: M-Z, 5-54*

REMOVE COUNTERS command
in Show Cluster utility, *Vol. 2: M-Z, 5-56*

REMOVE CREDITS command
in Show Cluster utility, *Vol. 2: M-Z, 5-57*

REMOVE ERRORS command
in Show Cluster utility, *Vol. 2: M-Z, 5-58*

REMOVE LOCAL_PORTS command
in Show Cluster utility, *Vol. 2: M-Z, 5-60*

REMOVE MEMBERS command
in Show Cluster utility, *Vol. 2: M-Z, 5-61*

REMOVE SYSTEMS command
in Show Cluster utility, *Vol. 2: M-Z, 5-62*

Removing installed software products, *Vol. 2: M-Z, 3-53*

RENAME/IDENTIFIER command
in Authorize utility, *Vol. 1: A-L, 5-85*

RENAME command
in Authorize utility, *Vol. 1: A-L, 5-82*

REPAIR command
in LMCP, *Vol. 1: A-L, 15-16*

Repairing errors, *Vol. 1: A-L, 3-4, 3-9, 3-10, 3-15, 3-16*

/REPAIR qualifier
in Analyze/Disk_Structure utility, *Vol. 1: A-L, 3-16*

REPLACE command
in Install utility, *Vol. 1: A-L, 12-23*

/REPLACE qualifier
in Backup utility, *Vol. 1: A-L, 7-79*

Report formats from Audit Analysis utility
brief, *Vol. 1: A-L, 4-7*
full, *Vol. 1: A-L, 4-10*
summary, *Vol. 1: A-L, 4-26*

Reporting errors, *Vol. 1: A-L, 3-4*

Reports
SHOW CLUSTER, *Vol. 2: M-Z, 5-12*
command to modify, *Vol. 2: M-Z, B-3*
controlling displays, *Vol. 2: M-Z, 5-12, 5-13*
default display, *Vol. 2: M-Z, 5-46*
formatting, *Vol. 2: M-Z, 5-70*
organization of, *Vol. 2: M-Z, 5-3*
printing, *Vol. 2: M-Z, 5-74*
time period for, *Vol. 2: M-Z, 5-15, 5-17*
update interval, *Vol. 2: M-Z, 5-18, 5-72*

Requirements and limitations
in ANALYZE/DISK_STRUCTURE, *Vol. 1: A-L, 3-7*

RESALLOC system parameter, *Vol. 2: M-Z, C-52*

Reserved Memory Registry
adding an entry, *Vol. 2: M-Z, 7-104*
adding RADs to a reservation, *Vol. 2: M-Z, 7-108*
AUTOGEN processes, *Vol. 2: M-Z, 7-104*
modifying an existing entry, *Vol. 2: M-Z, 7-112*
previews reservation, *Vol. 2: M-Z, 7-111*
removing an entry, *Vol. 2: M-Z, 7-115*

RESERVED_MEMORY commands
in SYSMAN, *Vol. 2: M-Z, 7-104*

RESERVED_MEMORY_EXTEND command, *Vol. 2: M-Z, 7-108*

RESERVED_MEMORY_FREE command, *Vol. 2: M-Z, 7-109*

RESERVED_MEMORY_LIST command, *Vol. 2: M-Z, 7-111*

RESERVED_MEMORY_MODIFY command, *Vol. 2: M-Z, 7-112*

RESERVED_MEMORY_REMOVE command, *Vol. 2: M-Z, 7-115*

RESERVED_MEMORY_SHOW command, *Vol. 2: M-Z, 7-116*

RESHASHTBL system parameter, *Vol. 2: M-Z, C-53*

Resource accounting
programming information, *Vol. 1: A-L, C-1*

Resource attributes, *Vol. 1: A-L, 5-21, 5-52, 5-74*

Resource use
producing reports of, *Vol. 1: A-L, 2-9, 2-12, 2-33*

RESTART command
in UCM, *Vol. 2: M-Z, 8-20*

- Retransmit limit, *Vol. 1: A-L*, 14–37
 - REVOKE/IDENTIFIER command
 - in Authorize utility, *Vol. 1: A-L*, 5–86
 - /REWIND qualifier
 - as Backup utility input save-set qualifier, *Vol. 1: A-L*, 7–80
 - as Backup utility output save-set qualifier, *Vol. 1: A-L*, 7–81
 - Rights databases
 - See RIGHTSLIST.DAT files
 - Rights identifier, *Vol. 2: M-Z*, 7–47
 - for disk quota file, *Vol. 2: M-Z*, 7–38
 - RIGHTSLIST.DAT files
 - adding identifiers to, *Vol. 1: A-L*, 5–21
 - altering identifiers in, *Vol. 1: A-L*, 5–74
 - creating and maintaining, *Vol. 1: A-L*, 5–3, 5–38
 - deleting identifiers from, *Vol. 1: A-L*, 5–80
 - displaying identifiers in, *Vol. 1: A-L*, 5–92
 - displaying records in, *Vol. 1: A-L*, 5–96
 - renaming identifiers, *Vol. 1: A-L*, 5–85
 - RJOBLIM system parameter, *Vol. 2: M-Z*, C–53
 - RLOCK class record
 - in Monitor utility, *Vol. 2: M-Z*, A–30
 - RMS class record
 - in Monitor utility, *Vol. 2: M-Z*, A–31
 - RMS statistics
 - in Monitor utility, *Vol. 2: M-Z*, 1–58
 - RMS system parameters
 - RMSD*, *Vol. 2: M-Z*, C–53
 - RMS_CONPOLICY, *Vol. 2: M-Z*, C–53
 - RMS_DFLRL, *Vol. 2: M-Z*, C–53
 - RMS_DFMBC, *Vol. 2: M-Z*, C–53
 - RMS_DFMBFIDX, *Vol. 2: M-Z*, C–53
 - RMS_DFMBFREL, *Vol. 2: M-Z*, C–54
 - RMS_DFMBFSDK, *Vol. 2: M-Z*, C–54
 - RMS_DFMBFSMT, *Vol. 2: M-Z*, C–54
 - RMS_DFMBFSUR, *Vol. 2: M-Z*, C–54
 - RMS_DFNBC, *Vol. 2: M-Z*, C–54
 - RMS_EXTEND_SIZE, *Vol. 2: M-Z*, C–55
 - RMS_FILEPROT, *Vol. 2: M-Z*, C–55
 - RMS_HEURISTIC, *Vol. 2: M-Z*, C–55
 - RMS_PROLOGUE, *Vol. 2: M-Z*, C–55
 - RMS_SEQFILE_WBH, *Vol. 2: M-Z*, C–55
 - RSRVPAGCNT system parameter, *Vol. 2: M-Z*, C–56
- S**
-
- S0_PAGING system parameter, *Vol. 2: M-Z*, C–56
 - S2_SIZE system parameter, *Vol. 2: M-Z*, C–56
 - SAVE command
 - in Show Cluster utility, *Vol. 2: M-Z*, 5–64
 - SAVEDUMP system parameter, *Vol. 2: M-Z*, C–56
 - Save sets
 - description of, *Vol. 1: A-L*, 7–3
 - directing output to, *Vol. 1: A-L*, 7–11
 - Save-set specification, *Vol. 1: A-L*, 7–5
 - /SAVE_SET qualifier
 - as Backup utility input save-set qualifier, *Vol. 1: A-L*, 7–84
 - as Backup utility output save-set qualifier, *Vol. 1: A-L*, 7–85
 - SAVPARAMS phase of AUTOGEN, *Vol. 1: A-L*, 6–9
 - SA_APP system parameter, *Vol. 2: M-Z*, C–56
 - SBIERRENABLE system parameter, *Vol. 2: M-Z*, C–56
 - SCA (Systems Communications Architecture)
 - in SCACP utility, *Vol. 2: M-Z*, 4–3
 - paths (equivalent to circuits), *Vol. 2: M-Z*, 4–3
 - SCA Control Program (SCACP)
 - commands, *Vol. 2: M-Z*, 4–7
 - EXIT, *Vol. 2: M-Z*, 4–10
 - HELP, *Vol. 2: M-Z*, 4–11
 - SET CHANNEL, *Vol. 2: M-Z*, 4–12
 - SET CIRCUIT, *Vol. 2: M-Z*, 4–14
 - SET LAN_DEVICE, *Vol. 2: M-Z*, 4–15
 - SET PORT, *Vol. 2: M-Z*, 4–16
 - SET TRACE, *Vol. 2: M-Z*, 4–17
 - SET VC, *Vol. 2: M-Z*, 4–19
 - SHOW CHANNEL, *Vol. 2: M-Z*, 4–20
 - SHOW CIRCUIT, *Vol. 2: M-Z*, 4–23
 - SHOW LAN_DEVICE, *Vol. 2: M-Z*, 4–25
 - SHOW PORT, *Vol. 2: M-Z*, 4–28
 - SHOW TRACE, *Vol. 2: M-Z*, 4–29
 - SHOW VC, *Vol. 2: M-Z*, 4–32
 - SPAWN, *Vol. 2: M-Z*, 4–34
 - START LAN_DEVICE, *Vol. 2: M-Z*, 4–35
 - START TRACE, *Vol. 2: M-Z*, 4–36
 - STOP LAN_DEVICE, *Vol. 2: M-Z*, 4–38
 - STOP TRACE, *Vol. 2: M-Z*, 4–39
 - event tracing, *Vol. 2: M-Z*, 4–6
 - invoking, *Vol. 2: M-Z*, 4–8
 - LAN channels, *Vol. 2: M-Z*, 4–4
 - LAN circuits, *Vol. 2: M-Z*, 4–4
 - LAN cluster ports, *Vol. 2: M-Z*, 4–6
 - overview, *Vol. 2: M-Z*, 4–3
 - PEDRIVER (LAN cluster driver), *Vol. 2: M-Z*, 4–4
 - privileges required, *Vol. 2: M-Z*, 4–9
 - terminology
 - SCA, *Vol. 2: M-Z*, 4–3
 - troubleshooting with, *Vol. 2: M-Z*, 4–7
 - virtual circuits, *Vol. 2: M-Z*, 4–4
 - SCACP
 - See SCA Control Program

SCBs (storage control blocks)
 updating, *Vol. 1: A-L*, 3–4

Scheduling classes
 creating, *Vol. 2: M-Z*, 7–19
 deleting, *Vol. 2: M-Z*, 7–24
 displaying, *Vol. 2: M-Z*, 7–28
 modifying characteristics, *Vol. 2: M-Z*, 7–25
 resuming suspended classes, *Vol. 2: M-Z*, 7–27
 suspending temporarily, *Vol. 2: M-Z*, 7–29

SCH_CTLFLAGS system parameter, *Vol. 2: M-Z*, C–56

Screens
 refreshing from LATCP, *Vol. 1: A-L*, 14–29

SCROLL command
 in LATCP, *Vol. 1: A-L*, 14–30
 in Show Cluster utility, *Vol. 2: M-Z*, 5–66

SCROLL keypad function, *Vol. 2: M-Z*, B–3

SCS (Systems Communications Services)
 circuits and ports in SCACP utility, *Vol. 2: M-Z*, 4–3
 SHOW CLUSTER information, *Vol. 2: M-Z*, 5–3

SCS class record
 in Monitor utility, *Vol. 2: M-Z*, A–37

SCSICLUSTER_P[1-4] system parameter, *Vol. 2: M-Z*, C–58

SCSI_NOAUTO system parameter, *Vol. 2: M-Z*, C–57

SCS statistics
 in Monitor utility, *Vol. 2: M-Z*, 1–62

SCSSYSTEMID system parameter
 and LATCP CREATE LINK command, *Vol. 1: A-L*, 14–7

SCS system parameters
 SCSBUFFCNT, *Vol. 2: M-Z*, C–57
 SCSCONNCNT, *Vol. 2: M-Z*, C–57
 SCSFLOWCUSH, *Vol. 2: M-Z*, C–57
 SCSMAXDG, *Vol. 2: M-Z*, C–58
 SCSMAXMSG, *Vol. 2: M-Z*, C–58
 SCSNODE, *Vol. 2: M-Z*, C–58
 SCSRESPCNT, *Vol. 2: M-Z*, C–58
 SCSSYSTEMID, *Vol. 2: M-Z*, C–58
 SCSSYSTEMIDH, *Vol. 2: M-Z*, C–59

SECAUDIT.COM command procedure
 See Audit Analysis utility

Security Alarm ACEs
 See Alarm ACEs

Security alarm messages
 specifying access criteria for, *Vol. 1: A-L*, 1–6, 1–8

Security archive files, analyzing, *Vol. 1: A-L*, 4–4

Security Audit ACEs
 See Audit ACEs

Security audit data packets
 fields, *Vol. 1: A-L*, F–7
 format, *Vol. 1: A-L*, F–6

Security audit event messages
 data packets in, *Vol. 1: A-L*, F–6
 event flags, *Vol. 1: A-L*, F–6
 extracting from log files, *Vol. 1: A-L*, 4–3
 format, *Vol. 1: A-L*, F–1
 subtypes for events, *Vol. 1: A-L*, F–2
 types of events, *Vol. 1: A-L*, F–2

Security audit header packets, *Vol. 1: A-L*, F–2

Security audit log files
 advancing to next record, *Vol. 1: A-L*, 4–37
 analyzing, *Vol. 1: A-L*, 4–3, 4–4
 data packet format, *Vol. 1: A-L*, F–6
 displaying records, *Vol. 1: A-L*, 4–30
 displaying the full record, *Vol. 1: A-L*, 4–10
 excluding information from reports, *Vol. 1: A-L*, 4–11
 header packet format, *Vol. 1: A-L*, F–1
 opening new input file, *Vol. 1: A-L*, 4–35
 resuming processing, *Vol. 1: A-L*, 4–29
 returning to previous record, *Vol. 1: A-L*, 4–37
 selecting records by event class, *Vol. 1: A-L*, 4–8
 selecting records by time, *Vol. 1: A-L*, 4–5, 4–25
 specifying duration of record display, *Vol. 1: A-L*, 4–14
 writing alarm messages to, *Vol. 1: A-L*, 1–8

Security audit records
 criteria for selecting, *Vol. 1: A-L*, 4–15

Security audit reports
 advancing the display, *Vol. 1: A-L*, 4–36
 binary output, *Vol. 1: A-L*, 4–6
 brief format, *Vol. 1: A-L*, 4–7
 creating, *Vol. 1: A-L*, 4–3
 directing output, *Vol. 1: A-L*, 4–13
 displaying selection criteria, *Vol. 1: A-L*, 4–38
 duration of record display, *Vol. 1: A-L*, 4–14
 excluding information, *Vol. 1: A-L*, 4–11
 full format, *Vol. 1: A-L*, 4–10
 interrupting the display, *Vol. 1: A-L*, 4–28
 modifying selection criteria, *Vol. 1: A-L*, 4–30
 processing additional log files, *Vol. 1: A-L*, 4–35
 resuming the processing, *Vol. 1: A-L*, 4–28
 summary of records, *Vol. 1: A-L*, 4–26

Security event classes
 extracting audit records by, *Vol. 1: A-L*, 4–8

Security objects
 classes, *Vol. 1: A-L*, 1–3

Security operators
 sending alarm messages to audit log files, *Vol. 1: A-L*, 1–8
 sending alarm messages to terminals, *Vol. 1: A-L*, 1–6

SECURITY_POLICY system parameter, *Vol. 2: M-Z*, C–59

SELECT command
 in Show Cluster utility, *Vol. 2: M-Z*, 5–68
/SELECT qualifier
 in Backup utility, *Vol. 1: A-L*, 7–86
Service node, *Vol. 1: A-L*, 14–3
 controlling access to, *Vol. 1: A-L*, 14–35, 14–40
 deleting a port, *Vol. 1: A-L*, 14–23
 modifying characteristics of, *Vol. 1: A-L*,
 14–33, 14–47
 naming, *Vol. 1: A-L*, 14–44
 service announcements, *Vol. 1: A-L*, 14–36,
 14–37
Services
 application, *Vol. 1: A-L*, 14–11, 14–15, 14–17,
 14–43, 14–47
 creating with LATCP, *Vol. 1: A-L*, 14–15
 database, *Vol. 1: A-L*, 14–37, 14–40
 deleting with LATCP, *Vol. 1: A-L*, 14–25
 displaying characteristics of, *Vol. 1: A-L*,
 14–67
 displaying counters, *Vol. 1: A-L*, 14–66
 displaying information using LATCP, *Vol. 1:*
 A-L, 14–66
 general timesharing, *Vol. 1: A-L*, 14–17
 identifier, *Vol. 1: A-L*, 14–15, 14–36, 14–47
 limiting size of node database, *Vol. 1: A-L*,
 14–37, 14–40
 modifying characteristics of, *Vol. 1: A-L*, 14–47
 naming with LATCP, *Vol. 1: A-L*, 14–15, 14–31
 rating, *Vol. 1: A-L*, 14–16, 14–48, 14–59, 14–67
 responder, *Vol. 1: A-L*, 14–38
 target, *Vol. 1: A-L*, 14–63
Session limit, *Vol. 1: A-L*, 14–38
Sessions
 terminating, *Vol. 1: A-L*, 3–7
SET/OUTPUT command
 in SYSGEN, *Vol. 2: M-Z*, 6–21
SET/STARTUP command
 in SYSGEN, *Vol. 2: M-Z*, 6–22
SET ACP command
 in LANCP utility, *Vol. 1: A-L*, 13–30
SET AUDIT command
 recording alarm messages, *Vol. 1: A-L*, 1–8
SET AUTO_POSITIONING command
 in Show Cluster utility, *Vol. 2: M-Z*, 5–69
SET command
 (Field), *Vol. 2: M-Z*, 5–70
 in Point-to-Point Protocol utility, *Vol. 2: M-Z*,
 2–11
 in SYSGEN, *Vol. 2: M-Z*, 6–20
SET DEFAULT command, *Vol. 2: M-Z*, 1–82
 in Monitor utility, *Vol. 2: M-Z*, 1–82
SET DEVICE command
 in LANCP utility, *Vol. 1: A-L*, 13–31
SET ENVIRONMENT command
 in SYSMAN, *Vol. 2: M-Z*, 7–117
SET FUNCTION command, *Vol. 2: M-Z*, B–3
 in Show Cluster utility, *Vol. 2: M-Z*, 5–71
SET INTERVAL command
 in Show Cluster utility, *Vol. 2: M-Z*, 5–72
SET LINK command
 in LATCP, *Vol. 1: A-L*, 14–31
SET LOG command
 in UCM, *Vol. 2: M-Z*, 8–21
SET NODE command
 in LANCP utility, *Vol. 1: A-L*, 13–40
 in LATCP, *Vol. 1: A-L*, 14–33
SETPARAMS.DAT file, *Vol. 1: A-L*, 6–10, 6–11
SETPARAMS phase of AUTOGEN, *Vol. 1: A-L*,
 6–11
SET PORT command
 in LATCP, *Vol. 1: A-L*, 14–43
SET PROFILE command
 in SYSMAN, *Vol. 2: M-Z*, 7–119
SET QUORUM command
 avoiding use of /CLUSTER with SYSMAN DO
 command, *Vol. 2: M-Z*, 7–54
SET SCREEN command
 in Show Cluster utility, *Vol. 2: M-Z*, 5–73
SET SECURITY/EDIT command, *Vol. 1: A-L*,
 1–4, 1–18
SET SECURITY command
 /CLASS qualifier, *Vol. 1: A-L*, 1–4
 specifying object class, *Vol. 1: A-L*, 1–4
SET SERVICE command
 in LATCP, *Vol. 1: A-L*, 14–47
SET TIMEOUT command
 in SYSMAN, *Vol. 2: M-Z*, 7–120
SETTIME system parameter, *Vol. 2: M-Z*, C–59
Setting page, swap, and dump file sizes, *Vol. 1:*
 A-L, 6–3
SHADOWING system parameter, *Vol. 2: M-Z*,
 C–60
/SHADOW qualifier
 in Analyze/Disk_Structure utility, *Vol. 1: A-L*,
 3–17
Shadow sets
 detecting errors, *Vol. 1: A-L*, 3–18
 examining, *Vol. 1: A-L*, 3–17
 maximum number of, *Vol. 2: M-Z*, C–60
SHADOW_D1-D5 system parameter, *Vol. 2: M-Z*,
 C–59
SHADOW_MAX_COPY system parameter, *Vol. 2:*
 M-Z, C–60
SHADOW_MAX_UNIT system parameter, *Vol. 2:*
 M-Z, C–60
SHADOW_MBR_TMO system parameter, *Vol. 2:*
 M-Z, C–61
SHADOW_REC_DLY system parameter, *Vol. 2:*
 M-Z, C–61
SHADOW_SYS_DISK system parameter, *Vol. 2:*
 M-Z, C–61

SHADOW_SYS_TMO system parameter, *Vol. 2: M-Z, C-61*

SHADOW_SYS_UNIT system parameter, *Vol. 2: M-Z, C-62*

SHADOW_SYS_WAIT system parameter, *Vol. 2: M-Z, C-62*

SHARE/INITIALIZE command
in SYSGEN, *Vol. 2: M-Z, 6-24*

SHARE command
in SYSGEN, *Vol. 2: M-Z, 6-23*

SHOW/ADAPTER command
in SYSGEN, *Vol. 2: M-Z, 6-31*

SHOW/BUS command
in SYSGEN, *Vol. 2: M-Z, 6-32*

SHOW/CONFIGURATION command
in SYSGEN, *Vol. 2: M-Z, 6-33*

SHOW/DEVICE command
in SYSGEN, *Vol. 2: M-Z, 6-35*

SHOW/DRIVER command
in SYSGEN, *Vol. 2: M-Z, 6-36*

SHOW/IDENTIFIER command
in Authorize utility, *Vol. 1: A-L, 5-92*

SHOW/PROXY command
in Authorize utility, *Vol. 1: A-L, 5-94*

SHOW/RIGHTS command
in Authorize utility, *Vol. 1: A-L, 5-96*

SHOW/STARTUP command, *Vol. 2: M-Z, 6-38*

SHOW/TURBOCHANNEL command
in SYSGEN, *Vol. 2: M-Z, 6-39*

SHOW/UNIBUS command
in SYSGEN, *Vol. 2: M-Z, 6-40*

SHOW CLUSTER command
initialization file, *Vol. 2: M-Z, 5-13*
in Show Cluster utility, *Vol. 2: M-Z, 5-14*
keypad commands, *Vol. 2: M-Z, 5-13*

Show Cluster utility (SHOW CLUSTER)
See also Reports, SHOW CLUSTER
activation time, *Vol. 2: M-Z, 5-15, 5-17, 5-18, 5-72*
classes of data, *Vol. 2: M-Z, 5-3*
commands, *Vol. 2: M-Z, 5-19*
continuous mode, *Vol. 2: M-Z, 5-14, 5-16*
controlling displays, *Vol. 2: M-Z, 5-12*
data fields, *Vol. 2: M-Z, 5-3*
defining arrow keys, *Vol. 2: M-Z, B-3*
defining keypad keys, *Vol. 2: M-Z, 5-40, B-3*
deselecting window, *Vol. 2: M-Z, 5-43*
directing output, *Vol. 2: M-Z, 5-14*
Execute Procedure (@) command, *Vol. 2: M-Z, 5-22*
exiting, *Vol. 2: M-Z, 5-14, 5-44*
invoking, *Vol. 2: M-Z, 5-14*
keypad, *Vol. 2: M-Z, B-1*
moving display window, *Vol. 2: M-Z, 5-47, 5-68*
/OUTPUT qualifier, *Vol. 2: M-Z, 5-14*
panning display window, *Vol. 2: M-Z, 5-49*
qualifiers, *Vol. 2: M-Z, 5-14*

Show Cluster utility (SHOW CLUSTER) (cont'd)
refreshing the display, *Vol. 2: M-Z, 5-51*
removing display information, *Vol. 2: M-Z, 5-52 to 5-62*
resetting display information, *Vol. 2: M-Z, 5-46*
sample display, *Vol. 2: M-Z, 5-12*
scrolling display window, *Vol. 2: M-Z, 5-49, 5-68*
selecting display fields, *Vol. 2: M-Z, 5-33*
CIRCUITS class, *Vol. 2: M-Z, 5-23*
CLUSTER class, *Vol. 2: M-Z, 5-25*
CONNECTIONS class, *Vol. 2: M-Z, 5-27*
COUNTERS class, *Vol. 2: M-Z, 5-29*
CREDITS class, *Vol. 2: M-Z, 5-31*
ERRORS class, *Vol. 2: M-Z, 5-32*
LOCAL_PORTS class, *Vol. 2: M-Z, 5-35*
MEMBERS class, *Vol. 2: M-Z, 5-37*
SYSTEMS class, *Vol. 2: M-Z, 5-38*
selecting display window, *Vol. 2: M-Z, 5-68*

SHOW command
in Audit Analysis utility, *Vol. 1: A-L, 4-38*
in Authorize utility, *Vol. 1: A-L, 5-87*
in CLUE, *Vol. 1: A-L, 8-11*
in Point-to-Point Protocol utility, *Vol. 2: M-Z, 2-15*
in SYSGEN, *Vol. 2: M-Z, 6-26*

SHOW CONFIGURATION command
in LANCP utility, *Vol. 1: A-L, 13-43*

SHOW DEFAULT command
in Monitor utility, *Vol. 2: M-Z, 1-83*

SHOW DEVICE command
in LANCP utility, *Vol. 1: A-L, 13-44*
in UCM, *Vol. 2: M-Z, 8-22*

SHOW DLL command
in LANCP utility, *Vol. 1: A-L, 13-48*

SHOW ENVIRONMENT command, *Vol. 2: M-Z, 7-117, 7-121*
in SYSMAN, *Vol. 2: M-Z, 7-121*

SHOW HISTORY command
in POLYCENTER Software Installation utility, *Vol. 2: M-Z, 3-56*

SHOW KEY command
in SYSMAN, *Vol. 2: M-Z, 7-122*

SHOW LINK command
in LATCP, *Vol. 1: A-L, 14-50*

SHOW LOG command
in LANCP utility, *Vol. 1: A-L, 13-49*
in LMCP, *Vol. 1: A-L, 15-19*

SHOW NODE command
in LANCP utility, *Vol. 1: A-L, 13-51*
in LATCP, *Vol. 1: A-L, 14-55*

SHOW OBJECT command
in POLYCENTER Software Installation utility, *Vol. 2: M-Z, 3-58*

SHOW PORT command
in LATCP, *Vol. 1: A-L, 14-61*

SHOW PRODUCT command
 in POLYCENTER Software Installation utility,
 Vol. 2: M-Z, 3-61
 SHOW PROFILE command
 in SYSMAN, *Vol. 2: M-Z, 7-123*
 SHOW QUEUE_ENTRY command
 in LATCP, *Vol. 1: A-L, 14-64*
 SHOW RECOVERY_DATA command
 in POLYCENTER Software Installation utility,
 Vol. 2: M-Z, 3-64
 SHOW SERVICE command
 in LATCP, *Vol. 1: A-L, 14-66*
 SHOW TIMEOUT command
 in SYSMAN, *Vol. 2: M-Z, 7-124*
 SHOW UTILITY command
 in POLYCENTER Software Installation utility,
 Vol. 2: M-Z, 3-66
 SHOW_CLUSTER\$INIT:SHOW_CLUSTER.INI
 initialization file, *Vol. 2: M-Z, 5-13*
 SHOW_CLUSTER\$INIT logical name, *Vol. 2:*
 M-Z, 5-22
 SHUTDOWN NODE command
 in SYSMAN, *Vol. 2: M-Z, 7-125*
 SHUTDOWN phase of AUTOGEN, *Vol. 1: A-L,*
 6-11
 /SINCE qualifier
 in Backup utility, *Vol. 1: A-L, 7-87*
 SMCI_FLAGS system parameter, *Vol. 2: M-Z,*
 C-62
 SMCI_PORTS system parameter, *Vol. 2: M-Z,*
 C-63
 SMP_CPUSH system parameter, *Vol. 2: M-Z,*
 C-63
 SMP_CPUS system parameter, *Vol. 2: M-Z, C-63*
 SMP_LNGSPINWAIT system parameter, *Vol. 2:*
 M-Z, C-63
 SMP_SANITY_CNT system parameter, *Vol. 2:*
 M-Z, C-63
 SMP_SPINWAIT system parameter, *Vol. 2: M-Z,*
 C-64
 SMP_TICK_CNT system parameter, *Vol. 2: M-Z,*
 C-64
 Software
 listing
 POLYCENTER Software Installation
 utility, *Vol. 2: M-Z, 3-36*
 Software products
 files of
 deleting recovery data, *Vol. 2: M-Z, 3-14*
 extracting, *Vol. 2: M-Z, 3-16*
 removing, *Vol. 2: M-Z, 3-53*
 SPAWN command
 and ATTACH command, *Vol. 2: M-Z, 7-17*
 in LANCP utility, *Vol. 1: A-L, 13-53*
 in LATCP, *Vol. 1: A-L, 14-69*
 in SYSMAN, *Vol. 2: M-Z, 7-129*
 SPTREQ system parameter, *Vol. 2: M-Z, C-64*
 SSINHIBIT system parameter, *Vol. 2: M-Z, C-64*
 Stage checks, *Vol. 1: A-L, D-1*
 Standalone BACKUP, *Vol. 1: A-L, 7-11*
 Start phase of AUTOGEN, *Vol. 1: A-L, 6-9*
 default, *Vol. 1: A-L, 6-13*
 Startup
 logging, *Vol. 2: M-Z, 7-142*
 phase, *Vol. 2: M-Z, 7-133*
 status, *Vol. 2: M-Z, 7-142*
 STARTUP\$STARTUP_LAYERED logical name,
 Vol. 2: M-Z, 7-141
 STARTUP\$STARTUP_VMS logical name, *Vol. 2:*
 M-Z, 7-141
 STARTUP ADD command
 in SYSMAN, *Vol. 2: M-Z, 7-133*
 Startup command procedure, *Vol. 2: M-Z, 6-22,*
 6-42, 6-43
 setting the name, *Vol. 2: M-Z, 7-97*
 site-independent file name, *Vol. 2: M-Z, 6-38*
 Startup database
 establishing, *Vol. 2: M-Z, 7-141*
 files
 adding, *Vol. 2: M-Z, 7-133*
 deleting, *Vol. 2: M-Z, 7-140*
 disabling, *Vol. 2: M-Z, 7-135*
 enabling, *Vol. 2: M-Z, 7-137*
 modifying, *Vol. 2: M-Z, 7-138*
 setting the default, *Vol. 2: M-Z, 7-141*
 STARTUP DISABLE command
 in SYSMAN, *Vol. 2: M-Z, 7-135*
 STARTUP ENABLE command
 in SYSMAN, *Vol. 2: M-Z, 7-137*
 STARTUP MODIFY command
 in SYSMAN, *Vol. 2: M-Z, 7-138*
 STARTUP REMOVE command
 in SYSMAN, *Vol. 2: M-Z, 7-140*
 STARTUP SET DATABASE command
 in SYSMAN, *Vol. 2: M-Z, 7-141*
 STARTUP SET OPTIONS command
 in SYSMAN, *Vol. 2: M-Z, 7-142*
 STARTUP SHOW command
 in SYSMAN, *Vol. 2: M-Z, 7-144*
 STARTUP_Pn system parameters, *Vol. 2: M-Z,*
 C-64
 in SYSMAN, *Vol. 2: M-Z, 7-133*
 STATES class record
 in Monitor utility, *Vol. 2: M-Z, A-39*
 Static service rating, *Vol. 1: A-L, 14-16, 14-48*
 displaying, *Vol. 1: A-L, 14-59, 14-67*
 Statistical information
 about volume under verification, *Vol. 1: A-L,*
 3-19
 /STATISTICS qualifier
 in Analyze/Disk_Structure utility, *Vol. 1: A-L,*
 3-19

STATS.DAT file
 created by ANALYZE/DISK_STRUCTURE/STATISTICS, *Vol. 1: A-L*, 3–19

Subprocesses
 See also SPAWN command

creating
 from LATCP, *Vol. 1: A-L*, 14–5, 14–69
 with SPAWN command, *Vol. 2: M-Z*, 7–129
 with the LANCP SPAWN command, *Vol. 1: A-L*, 13–53
 switching control of input stream to, *Vol. 2: M-Z*, 7–17

Subsystem ACEs, *Vol. 1: A-L*, 1–16
 example, *Vol. 1: A-L*, 1–16
 specifying identifier characteristics, *Vol. 1: A-L*, 1–17
 specifying identifiers, *Vol. 1: A-L*, 1–16

Subsystem attribute, *Vol. 1: A-L*, 5–21, 5–52, 5–74

Subsystems
 controlling access to, *Vol. 1: A-L*, 1–16

/SUMMARY qualifier
 in Monitor utility, *Vol. 2: M-Z*, 1–16

Summary report
 example, *Vol. 1: A-L*, 9–36

SWAPFILE.SYS file
 See Swap files

Swap files
 changing size, *Vol. 1: A-L*, 6–3
 displaying the size calculated by AUTOGEN, *Vol. 1: A-L*, 6–10
 generating a new file sized by AUTOGEN, *Vol. 1: A-L*, 6–11

SWPALLOCINC system parameter, *Vol. 2: M-Z*, C–65

SWPFAIL system parameter, *Vol. 2: M-Z*, C–65

SWPFILCNT system parameter, *Vol. 2: M-Z*, C–65

SWPOUTPGCNT system parameter, *Vol. 2: M-Z*, C–65

SWPRATE system parameter, *Vol. 2: M-Z*, C–66

SWP_PRIO system parameter, *Vol. 2: M-Z*, C–65

Symbol table
 command interpreter, *Vol. 2: M-Z*, C–13

Syntax
 of BACKUP commands, *Vol. 1: A-L*, 7–5

SYS\$SYSTEM:STARTUP.COM command
 procedure, *Vol. 2: M-Z*, D–6

SYSALF.DAT database in SYSMAN, *Vol. 2: M-Z*, 7–14

SYSBOOT facility
 using during bootstrap operations, *Vol. 2: M-Z*, 6–3

SYSDUMP.DMP file
 See Dump files

SYSGEN
 See System Generation utility (SYSGEN)

SYSLOST.DIR file, *Vol. 1: A-L*, 3–5

SYSMAN
 See System Management utility (SYSMAN)

SYSMANINI.INI file
 changing file specification, *Vol. 2: M-Z*, 7–4

SYSMWCNT system parameter, *Vol. 2: M-Z*, C–66

SYSPFC system parameter, *Vol. 2: M-Z*, C–66

SYSTEM class record
 in Monitor utility, *Vol. 2: M-Z*, A–41

System Dump Priority registry
 adding records, *Vol. 2: M-Z*, 7–57
 description, *Vol. 2: M-Z*, 7–57
 displaying an in-memory copy of the file, *Vol. 2: M-Z*, 7–65
 interaction with BUGCHECK, *Vol. 2: M-Z*, 7–57
 listing records, *Vol. 2: M-Z*, 7–60
 loading contents of file into memory, *Vol. 2: M-Z*, 7–61
 modifying an entry in the file, *Vol. 2: M-Z*, 7–62
 removing an entry in the file, *Vol. 2: M-Z*, 7–64
 unloading an in-memory copy of the file, *Vol. 2: M-Z*, 7–66

System Generation utility (SYSGEN)
 assign parameter values, *Vol. 2: M-Z*, 6–20
 commands
 AUTOCONFIGURE, *Vol. 2: M-Z*, 6–5
 CONFIGURE, *Vol. 2: M-Z*, 6–8
 CONNECT/ADAPTER, *Vol. 2: M-Z*, 6–10
 CREATE, *Vol. 2: M-Z*, 6–13
 DEINSTALL, *Vol. 2: M-Z*, 6–14
 DISABLE, *Vol. 2: M-Z*, 6–15
 ENABLE, *Vol. 2: M-Z*, 6–16
 INSTALL, *Vol. 2: M-Z*, 6–17
 LOAD, *Vol. 2: M-Z*, 6–18
 RELOAD, *Vol. 2: M-Z*, 6–19
 SET, *Vol. 2: M-Z*, 6–20
 SET/OUTPUT, *Vol. 2: M-Z*, 6–21
 SET/STARTUP, *Vol. 2: M-Z*, 6–22
 SHARE, *Vol. 2: M-Z*, 6–23
 SHARE/INITIALIZE, *Vol. 2: M-Z*, 6–24
 SHOW, *Vol. 2: M-Z*, 6–26
 SHOW/ADAPTER, *Vol. 2: M-Z*, 6–31
 SHOW/BUS, *Vol. 2: M-Z*, 6–32
 SHOW/CONFIGURATION, *Vol. 2: M-Z*, 6–33
 SHOW/DEVICE, *Vol. 2: M-Z*, 6–35
 SHOW/DRIVER, *Vol. 2: M-Z*, 6–36
 SHOW/STARTUP, *Vol. 2: M-Z*, 6–38

System Generation utility (SYSGEN)

commands (cont'd)

SHOW/TURBOCHANNEL, *Vol. 2: M-Z*,
6–39

SHOW/UNIBUS, *Vol. 2: M-Z*, 6–40

TERMINAL, *Vol. 2: M-Z*, 6–42

USE, *Vol. 2: M-Z*, 6–43

WRITE, *Vol. 2: M-Z*, 6–45

directing output, *Vol. 2: M-Z*, 6–3, 6–33

parameters

See also System parameters

showing parameter values, *Vol. 2: M-Z*, 6–26

specifying file output, *Vol. 2: M-Z*, 6–8, 6–21

work area, *Vol. 2: M-Z*, 6–20, 6–43, 6–45

System loadable image

adding, *Vol. 2: M-Z*, 7–146

removing, *Vol. 2: M-Z*, 7–148

System management

clearing counters, *Vol. 1: A-L*, 13–8

creating disk quota files, *Vol. 2: M-Z*, 7–40

defining target system, *Vol. 2: M-Z*, 7–117

deleting device information, *Vol. 1: A-L*, 13–7,
13–28

deleting node information, *Vol. 1: A-L*, 13–9,
13–29

displaying LAN device parameters, *Vol. 1:*
A-L, 13–24, 13–44

displaying node information, *Vol. 1: A-L*,
13–26, 13–51

displaying OPCOM messages, *Vol. 1: A-L*,
13–30

displaying status and counters, *Vol. 1: A-L*,
13–26, 13–48, 13–51

displaying target environment, *Vol. 2: M-Z*,
7–121

displaying user profile, *Vol. 2: M-Z*, 7–123

displaying wait time for node response, *Vol. 2:*
M-Z, 7–124

invoking the LANCP utility, *Vol. 1: A-L*, 13–3

LANCP SPAWN command, *Vol. 1: A-L*, 13–53

limiting response time, *Vol. 2: M-Z*, 7–120

MOP console carrier, *Vol. 1: A-L*, 13–10

MOP trigger boot, *Vol. 1: A-L*, 13–54

setting device information, *Vol. 1: A-L*, 13–14

setting wait time for node response, *Vol. 2:*
M-Z, 7–120

startup procedures

See Startup database

SYSMAN tasks, *Vol. 2: M-Z*, 7–3

System management environment

See Management environment

System Management utility (SYSMAN)

commands

ALF ADD, *Vol. 2: M-Z*, 7–12

ALF REMOVE, *Vol. 2: M-Z*, 7–14

ALF SHOW, *Vol. 2: M-Z*, 7–16

ATTACH, *Vol. 2: M-Z*, 7–17

System Management utility (SYSMAN)

commands (cont'd)

CLASS_SCHEDULE, *Vol. 2: M-Z*, 7–19

CONFIGURATION SET CLUSTER_AUTH,
Vol. 2: M-Z, 7–30

CONFIGURATION SET TIME, *Vol. 2:*
M-Z, 7–32

CONFIGURATION SHOW CLUSTER_
AUTHORIZATION, *Vol. 2: M-Z*, 7–34

CONFIGURATION SHOW TIME, *Vol. 2:*
M-Z, 7–35

DEFINE/KEY, *Vol. 2: M-Z*, 7–36

DISKQUOTA ADD, *Vol. 2: M-Z*, 7–38

DISKQUOTA CREATE, *Vol. 2: M-Z*, 7–40

DISKQUOTA DELETE, *Vol. 2: M-Z*, 7–42

DISKQUOTA DISABLE, *Vol. 2: M-Z*, 7–43

DISKQUOTA ENABLE, *Vol. 2: M-Z*, 7–45

DISKQUOTA MODIFY, *Vol. 2: M-Z*, 7–47

DISKQUOTA REBUILD, *Vol. 2: M-Z*,
7–49

DISKQUOTA REMOVE, *Vol. 2: M-Z*, 7–50

DISKQUOTA SHOW, *Vol. 2: M-Z*, 7–52

DO, *Vol. 2: M-Z*, 7–53

DUMP_PRIORITY ADD, *Vol. 2: M-Z*,
7–57

DUMP_PRIORITY LIST, *Vol. 2: M-Z*,
7–60

DUMP_PRIORITY LOAD, *Vol. 2: M-Z*,
7–61

DUMP_PRIORITY MODIFY, *Vol. 2: M-Z*,
7–62

DUMP_PRIORITY REMOVE, *Vol. 2: M-Z*,
7–64

DUMP_PRIORITY SHOW, *Vol. 2: M-Z*,
7–65

DUMP_PRIORITY UNLOAD, *Vol. 2: M-Z*,
7–66

EXIT, *Vol. 2: M-Z*, 7–67

HELP, *Vol. 2: M-Z*, 7–68

IO AUTOCONFIGURE, *Vol. 2: M-Z*, 7–69

IO CONNECT, *Vol. 2: M-Z*, 7–71

IO CREATE_WWID, *Vol. 2: M-Z*, 7–75

IO FIND_WWID, *Vol. 2: M-Z*, 7–76

IO LIST_WWID, *Vol. 2: M-Z*, 7–79

IO LOAD, *Vol. 2: M-Z*, 7–80

IO REBUILD, *Vol. 2: M-Z*, 7–81

IO REPLACE_WWID, *Vol. 2: M-Z*, 7–82

IO SCSI_PATH_VERIFY, *Vol. 2: M-Z*,
7–84

IO SET EXCLUDE, *Vol. 2: M-Z*, 7–85

IO SET PREFIX, *Vol. 2: M-Z*, 7–86

IO SHOW BUS, *Vol. 2: M-Z*, 7–87

IO SHOW DEVICE, *Vol. 2: M-Z*, 7–89

IO SHOW EXCLUDE, *Vol. 2: M-Z*, 7–91

IO SHOW PREFIX, *Vol. 2: M-Z*, 7–92

LICENSE LOAD, *Vol. 2: M-Z*, 7–93

LICENSE UNLOAD, *Vol. 2: M-Z*, 7–94

System Management utility (SYSMAN)

commands (cont'd)

PARAMETERS DISABLE CHECKS, *Vol. 2: M-Z*, 7-95
PARAMETERS ENABLE CHECKS, *Vol. 2: M-Z*, 7-96
PARAMETERS SET, *Vol. 2: M-Z*, 7-97
PARAMETERS SHOW, *Vol. 2: M-Z*, 7-98
PARAMETERS USE, *Vol. 2: M-Z*, 7-102
PARAMETERS WRITE, *Vol. 2: M-Z*, 7-103
RESERVED_MEMORY ADD, *Vol. 2: M-Z*, 7-104
RESERVED_MEMORY EXTEND, *Vol. 2: M-Z*, 7-108
RESERVED_MEMORY FREE, *Vol. 2: M-Z*, 7-109
RESERVED_MEMORY LIST, *Vol. 2: M-Z*, 7-111
RESERVED_MEMORY MODIFY, *Vol. 2: M-Z*, 7-112
RESERVED_MEMORY REMOVE, *Vol. 2: M-Z*, 7-115
RESERVED_MEMORY SHOW, *Vol. 2: M-Z*, 7-116
SET ENVIRONMENT, *Vol. 2: M-Z*, 7-117
SET PROFILE, *Vol. 2: M-Z*, 7-119
SET TIMEOUT, *Vol. 2: M-Z*, 7-120
SHOW ENVIRONMENT, *Vol. 2: M-Z*, 7-121
SHOW KEY, *Vol. 2: M-Z*, 7-122
SHOW PROFILE, *Vol. 2: M-Z*, 7-123
SHOW TIMEOUT, *Vol. 2: M-Z*, 7-124
SHUTDOWN NODE, *Vol. 2: M-Z*, 7-125
SPAWN, *Vol. 2: M-Z*, 7-129
STARTUP ADD, *Vol. 2: M-Z*, 7-133
STARTUP DISABLE, *Vol. 2: M-Z*, 7-135
STARTUP ENABLE, *Vol. 2: M-Z*, 7-137
STARTUP MODIFY, *Vol. 2: M-Z*, 7-138
STARTUP REMOVE, *Vol. 2: M-Z*, 7-140
STARTUP SET DATABASE, *Vol. 2: M-Z*, 7-141
STARTUP SET OPTIONS, *Vol. 2: M-Z*, 7-142
STARTUP SHOW, *Vol. 2: M-Z*, 7-144
SYS_LOADABLE ADD, *Vol. 2: M-Z*, 7-146
SYS_LOADABLE REMOVE, *Vol. 2: M-Z*, 7-148
common tasks, *Vol. 2: M-Z*, 7-3
executing a command procedure, *Vol. 2: M-Z*, 7-10
executing SYSMAN commands, *Vol. 2: M-Z*, 7-4
exiting from, *Vol. 2: M-Z*, 7-4
initialization file, *Vol. 2: M-Z*, 7-4
invoking, *Vol. 2: M-Z*, 7-4
overview, *Vol. 2: M-Z*, 7-3

System Management utility (SYSMAN) (cont'd)

privilege requirements, *Vol. 2: M-Z*, 7-4
restrictions, *Vol. 2: M-Z*, 7-4
rights identifiers, *Vol. 2: M-Z*, 7-5
System overview statistics
in Monitor utility, *Vol. 2: M-Z*, 1-70
System parameters, *Vol. 2: M-Z*, C-7 to C-82
See also AUTOGEN.COM command procedure
ACP, *Vol. 2: M-Z*, C-7 to C-11
affected by AUTOGEN calculations, *Vol. 1: A-L*, 6-7
affected by AUTOGEN feedback, *Vol. 1: A-L*, 6-8
categories, *Vol. 2: M-Z*, C-1
changing
recommended method, *Vol. 1: A-L*, 6-3
changing during installation, *Vol. 1: A-L*, 6-3
checking, *Vol. 2: M-Z*, 7-96
checking AUTOGEN's settings, *Vol. 1: A-L*, 6-7
default parameter file, *Vol. 1: A-L*, 6-9, 6-11
descriptions, *Vol. 2: M-Z*, C-7 to C-82
disabling checking, *Vol. 2: M-Z*, 7-95
displaying, *Vol. 2: M-Z*, 7-98
device configuration, *Vol. 2: M-Z*, 6-33
device driver addresses, *Vol. 2: M-Z*, 6-36
I/O subsystems, *Vol. 2: M-Z*, 6-35
parameter values, *Vol. 2: M-Z*, 6-26
startup procedure, *Vol. 2: M-Z*, 6-38
UNIBUS I/O addresses, *Vol. 2: M-Z*, 6-40
values, *Vol. 2: M-Z*, 6-26
file
See Parameter files
Login security, *Vol. 2: M-Z*, C-26 to C-28
modifying, *Vol. 2: M-Z*, 7-103
recommended method, *Vol. 1: A-L*, 6-3
NPAGECALC, *Vol. 2: M-Z*, C-41
process limits and quotas, *Vol. 2: M-Z*, C-47 to C-50
RMS, *Vol. 2: M-Z*, C-53 to C-55
setting, *Vol. 2: M-Z*, 7-97
parameter addresses, *Vol. 2: M-Z*, 6-20
parameter values, *Vol. 2: M-Z*, 6-3, 6-20, 6-26, 6-43, 6-45
recommended method, *Vol. 1: A-L*, 6-3
sharing multiport memory, *Vol. 2: M-Z*, 6-23
showing, *Vol. 2: M-Z*, 6-26
specifying startup procedure, *Vol. 2: M-Z*, 6-22, 6-43, 6-45
summary, *Vol. 2: M-Z*, C-2
Systems Communications Services, *Vol. 2: M-Z*, C-57 to C-59
terminal behavior, *Vol. 2: M-Z*, C-69 to C-73
VIRTUALPAGECNT, *Vol. 1: A-L*, 3-3, 7-4
VMS, *Vol. 2: M-Z*, C-78
work area, *Vol. 2: M-Z*, 7-102, 7-103
writing contents of, *Vol. 2: M-Z*, 7-103
writing to file, *Vol. 2: M-Z*, 6-45

System passwords, *Vol. 1: A-L*, 5–78

SYSTEMS class

- adding or restoring, *Vol. 2: M-Z*, 5–38
- fields belonging to, *Vol. 2: M-Z*, 5–11
- removing, *Vol. 2: M-Z*, 5–62

Systems Communications Services

- See SCS

System shutdown

- to install changed system parameters, *Vol. 1: A-L*, 6–11

System time

- setting, *Vol. 2: M-Z*, 7–32

SYSTEM_CHECK system parameter, *Vol. 2: M-Z*, C–66

SYSUAF logical name

- defining, *Vol. 1: A-L*, 5–3

SYSUAFs (system user authorization files)

- creating, *Vol. 1: A-L*, 5–3
- default directory entry, *Vol. 1: A-L*, 5–17
- default values, *Vol. 1: A-L*, 5–17
- displaying records in, *Vol. 1: A-L*, 5–87
- modifying, *Vol. 1: A-L*, 5–3
- recreating, *Vol. 1: A-L*, 5–4
- renaming records, *Vol. 1: A-L*, 5–82

SYS_LOADABLE ADD command

- in SYSMAN, *Vol. 2: M-Z*, 7–146

SYS_LOADABLE REMOVE command

- in SYSMAN, *Vol. 2: M-Z*, 7–148

T

TAILORED system parameter, *Vol. 2: M-Z*, C–67

Tape drive

- using /MEDIA_FORMAT qualifier, *Vol. 1: A-L*, 7–67

TAPE_ALLOCLASS system parameter, *Vol. 2: M-Z*, C–67

/TAPE_EXPIRATION qualifier

- in Backup utility, *Vol. 1: A-L*, 7–89

TAPE_MVTIMEOUT system parameter, *Vol. 2: M-Z*, C–67

Target node name, *Vol. 1: A-L*, 14–63

Target port name, *Vol. 1: A-L*, 14–63

Target service name, *Vol. 1: A-L*, 14–63

TBSKIPWSL system parameter, *Vol. 2: M-Z*, C–67

Telnet protocol

- Break-in evasion, *Vol. 2: M-Z*, C–27

TERMINAL command

- in SYSGEN, *Vol. 2: M-Z*, 6–42

Terminals

- modifying control-key echo strings, *Vol. 2: M-Z*, 6–42
- sending alarm messages to, *Vol. 1: A-L*, 1–6

Terminating a session, *Vol. 1: A-L*, 3–7

Terse report

- example, *Vol. 1: A-L*, 9–35

TESTFILES phase of AUTOGEN, *Vol. 1: A-L*, 6–10

Time

- See also SYSMAN command CONFIGURATION SHOW TIME
- cluster

 - displaying, *Vol. 2: M-Z*, 7–35
 - extracting records by, *Vol. 1: A-L*, 4–5
 - setting system, *Vol. 2: M-Z*, 7–32
 - updating in a cluster, *Vol. 2: M-Z*, 7–33

Timeout period

- displaying, *Vol. 2: M-Z*, 7–124
- setting, *Vol. 2: M-Z*, 7–120

TIMEPROMPTWAIT system parameter, *Vol. 2: M-Z*, C–67

TIMER class record

- in Monitor utility, *Vol. 2: M-Z*, A–42

Timer queue entries (TQEs)

- monitoring, *Vol. 2: M-Z*, A–42

Timer Queue Entry (TQE) statistics

- in Monitor utility, *Vol. 2: M-Z*, 1–74

Timers

- for circuits, *Vol. 1: A-L*, 14–33
- for multicast message in LAT environment, *Vol. 1: A-L*, 14–37
- setting in a LAT environment, *Vol. 1: A-L*, 14–36

TIME_CONTROL system parameter, *Vol. 2: M-Z*, C–67

TIMVCFAIL system parameter, *Vol. 2: M-Z*, C–68

TMSCP_LOAD system parameter, *Vol. 2: M-Z*, C–68

TMSCP_SERVE_ALL system parameter, *Vol. 2: M-Z*, C–69

TRANSACTION class record

- in Monitor utility, *Vol. 2: M-Z*, A–43

Transaction logs

- used by DECdtm, *Vol. 1: A-L*, 15–1

Transactions

- monitoring, *Vol. 2: M-Z*, 1–76

TRANSLATE command

- in Install utility, *Vol. 1: A-L*, 12–3

Trigger boot

- LANCP MOP downline load service, *Vol. 1: A-L*, 13–54

TRIGGER NODE command

- in LANCP utility, *Vol. 1: A-L*, 13–54

TR numbers

- display on Alpha systems, *Vol. 2: M-Z*, 7–87

/TRUNCATE qualifier

- in Backup utility, *Vol. 1: A-L*, 7–90

TTY system parameters

- See also System parameters
- terminal behavior

TTY system parameters (cont'd)

- TTY_ALTALARM, *Vol. 2: M-Z*, C-69
- TTY_ALTYPAHD, *Vol. 2: M-Z*, C-69
- TTY_AUTOCHAR, *Vol. 2: M-Z*, C-70
- TTY_BUF, *Vol. 2: M-Z*, C-70
- TTY_CLASSNAME, *Vol. 2: M-Z*, C-70
- TTY_DEFCHAR, *Vol. 2: M-Z*, C-70
- TTY_DEFCHAR2, *Vol. 2: M-Z*, C-71
- TTY_DEFPORT, *Vol. 2: M-Z*, C-72
- TTY_DIALTYPE, *Vol. 2: M-Z*, C-72
- TTY_DMASIZE, *Vol. 2: M-Z*, C-72
- TTY_PARITY, *Vol. 2: M-Z*, C-72
- TTY_RSPEED, *Vol. 2: M-Z*, C-72
- TTY_SCANDELTA, *Vol. 2: M-Z*, C-73
- TTY_SILOTIME, *Vol. 2: M-Z*, C-73
- TTY_SPEED, *Vol. 2: M-Z*, C-73
- TTY_TIMEOUT, *Vol. 2: M-Z*, C-73
- TTY_TYPAHDSZ, *Vol. 2: M-Z*, C-73

TURBOchannel

- device on, *Vol. 2: M-Z*, 6-39

U

UAFALTERNATE system parameter, *Vol. 2: M-Z*, C-73

UAFs (user authorization files)

- See SYSUAFs

UCM

- See USB Configuration Manager

UDABURSTRATE system parameter, *Vol. 2: M-Z*, C-73

UIC-based protection

- See Protection codes

UICs (user identification codes)

- for disk quota file, *Vol. 2: M-Z*, 7-38
- identifiers, *Vol. 1: A-L*, 1-14

UNDO PATCH command

- in POLYCENTER Software Installation utility, *Vol. 2: M-Z*, 3-67

UNIBUS I/O addresses, *Vol. 2: M-Z*, 6-40

Unloading licenses, *Vol. 2: M-Z*, 7-94

Usage count

- updating, *Vol. 2: M-Z*, 7-49

/USAGE qualifier, *Vol. 1: A-L*, 3-6, 3-21

- in Analyze/Disk_Structure utility, *Vol. 1: A-L*, 3-21

USB Configuration Manager (UCM)

- description, *Vol. 2: M-Z*, 8-3

USB Configuration Manager (UCM) utility

- ADD DEVICE command, *Vol. 2: M-Z*, 8-12
- DELETE DEVICE command, *Vol. 2: M-Z*, 8-14
- EXIT command, *Vol. 2: M-Z*, 8-15
- HELP command, *Vol. 2: M-Z*, 8-16
- MODIFY DEVICE command, *Vol. 2: M-Z*, 8-17
- RELOAD command, *Vol. 2: M-Z*, 8-19
- RESTART command, *Vol. 2: M-Z*, 8-20

USB Configuration Manager (UCM) utility (cont'd)

- SET LOG command, *Vol. 2: M-Z*, 8-21
- SHOW DEVICE command, *Vol. 2: M-Z*, 8-22

USE command

- in SYSGEN, *Vol. 2: M-Z*, 6-43

User (security category)

- controlling types of access, *Vol. 1: A-L*, 1-14

User accounts

- altering, *Vol. 1: A-L*, 5-62
- creating, *Vol. 1: A-L*, 5-7
- deleting, *Vol. 1: A-L*, 5-79

User directories

- creating for a new account, *Vol. 1: A-L*, 5-19

User identification codes

- See UICs

User names

- as identifiers, *Vol. 1: A-L*, 1-14
- identifiers added with, *Vol. 1: A-L*, 5-19
- specifying with wildcards, *Vol. 1: A-L*, 5-5

USER system parameters

- USER3, *Vol. 2: M-Z*, C-74
- USER4, *Vol. 2: M-Z*, C-74
- USERD1, *Vol. 2: M-Z*, C-73
- USERD2, *Vol. 2: M-Z*, C-73

V

VAXCLUSTER system parameter, *Vol. 2: M-Z*, C-74

VAXVMSSYS.OLD file, *Vol. 1: A-L*, 6-11

VAXVMSSYS.PAR file, *Vol. 1: A-L*, 6-11

VBN_CACHE_S system parameter, *Vol. 2: M-Z*, C-74

VBS class record

- in Monitor utility, *Vol. 2: M-Z*, A-45

VBSS_ENABLE2 system parameter, *Vol. 2: M-Z*, C-75

VBSS_ENABLE system parameter, *Vol. 2: M-Z*, C-74

VCC_FLAGS system parameter, *Vol. 2: M-Z*, C-75

VCC_MAXSIZE system parameter, *Vol. 2: M-Z*, C-76

VCC_MAX_CACHE system parameter, *Vol. 2: M-Z*, C-76

VCC_MAX_IO_SIZE system parameter, *Vol. 2: M-Z*, C-77

VCC_MAX_LOCKS system parameter, *Vol. 2: M-Z*, C-77

VCC_MINSIZE system parameter, *Vol. 2: M-Z*, C-77

VCC_PTES system parameter, *Vol. 2: M-Z*, C-77

VCC_READAHEAD system parameter, *Vol. 2: M-Z*, C-77

VCC_WRITEBEHIND system parameter, *Vol. 2: M-Z*, C-77

VCC_WRITE_DELAY system parameter, *Vol. 2: M-Z, C-78*

VECTOR class record
in Monitor utility, *Vol. 2: M-Z, A-46*

Vector CPU time
obtaining information regarding processor, *Vol. 2: M-Z, A-46*
obtaining information regarding system, *Vol. 2: M-Z, A-46*

Vector processing
monitoring, *Vol. 2: M-Z, 1-80*

Vectors
addresses, *Vol. 2: M-Z, 6-8, 6-10*
fixed space, *Vol. 2: M-Z, D-1*
floating space, *Vol. 2: M-Z, D-1*

VECTOR_MARGIN system parameter, *Vol. 2: M-Z, C-78*

VECTOR_PROC system parameter, *Vol. 2: M-Z, C-78*

Verification
of disk volumes, *Vol. 1: A-L, 3-3*

/VERIFY qualifier
in Backup utility, *Vol. 1: A-L, 7-91*

/VIEWING_TIME qualifier
in Monitor utility, *Vol. 2: M-Z, 1-16*

Virtual memory
requirements for bitmaps, *Vol. 1: A-L, 3-3*

VIRTUALPAGECNT system parameter, *Vol. 1: A-L, 3-3, 7-4; Vol. 2: M-Z, C-78*

VMS\$RESERVED_MEMORY.DATA
Reserved Memory Registry file, *Vol. 2: M-Z, 7-106*

VMS\$SYSTEM_IMAGES.IDX
adding an entry, *Vol. 2: M-Z, 7-147*
removing an entry, *Vol. 2: M-Z, 7-148*

VMS\$VAXcluster
communications
receiving, *Vol. 2: M-Z, C-14*

VMSIMAGES.DAT file, *Vol. 1: A-L, 6-10*

VMS system parameters
See System parameters

/VOLUME qualifier
in Backup utility, *Vol. 1: A-L, 7-92*

Volume quota file
See Disk quotas

Volumes
repairing errors on a disk volume, *Vol. 1: A-L, 3-16*

Volume sets
image save operation, *Vol. 1: A-L, 7-51*

VOTES system parameter, *Vol. 2: M-Z, C-79*

W

WBM_MSG_INT system parameter, *Vol. 2: M-Z, C-79*

WBM_MSG_LOWER system parameter, *Vol. 2: M-Z, C-79*

WBM_MSG_UPPER system parameter, *Vol. 2: M-Z, C-79*

WBM_OPCOM_LVL system parameter, *Vol. 2: M-Z, C-80*

Wildcard characters, *Vol. 1: A-L, 7-8*
restriction in ACL editor, *Vol. 1: A-L, 1-4*
using to represent directories, *Vol. 1: A-L, 7-8*

Windows
compressing or expanding, *Vol. 2: M-Z, 5-73*
designating, *Vol. 2: M-Z, 5-68*
display SHOW CLUSTER information, *Vol. 2: M-Z, 5-12*
moving, *Vol. 2: M-Z, 5-69*
rearranging, *Vol. 2: M-Z, 5-47*
scrolling, *Vol. 2: M-Z, 5-66*
terminating selection, *Vol. 2: M-Z, 5-43*
viewing large display, *Vol. 2: M-Z, 5-49*

WINDOW_SYSTEM system parameter, *Vol. 2: M-Z, C-80*

WLKSYSDSK system parameter, *Vol. 2: M-Z, C-80*

Work area
copying to parameter file, *Vol. 2: M-Z, 7-103*
loading parameters, *Vol. 2: M-Z, 7-102*

WPRE_SIZE system parameter, *Vol. 2: M-Z, C-80*

WPTTE_SIZE system parameter, *Vol. 2: M-Z, C-80*

WRITABLESYS system parameter, *Vol. 2: M-Z, C-80*

WRITE command
in Show Cluster utility, *Vol. 2: M-Z, 5-74*
in SYSGEN, *Vol. 2: M-Z, 6-45*

WRITESYSPARAMS system parameter, *Vol. 2: M-Z, C-81*

WSDEC system parameter, *Vol. 2: M-Z, C-81*

WSINC system parameter, *Vol. 2: M-Z, C-81*

WSMAX system parameter, *Vol. 2: M-Z, C-81*

WS_OPA0 system parameter, *Vol. 2: M-Z, C-82*

X

XA Gateway Control Program (XGCP)
commands
CREATE_LOG, *Vol. 2: M-Z, 9-4*
EXIT, *Vol. 2: M-Z, 9-5*
START_SERVER, *Vol. 2: M-Z, 9-6*
STOP_SERVER, *Vol. 2: M-Z, 9-7*
invoking, *Vol. 2: M-Z, 9-3*
overview, *Vol. 2: M-Z, 9-3*

XFMAXRATE system parameter, *Vol. 2: M-Z*,
C-82

XGCP

See XA Gateway Control Program (XGCP)

XQPCTL2 system parameter, *Vol. 2: M-Z*, C-82

XQPCTLD1 system parameter, *Vol. 2: M-Z*, C-82

Z

ZERO COUNTERS command

in LATCP, *Vol. 1: A-L*, 14-70

ZERO_LIST_HI system parameter, *Vol. 2: M-Z*,
C-82